



Floodable sewage disposal unit with cutting pumps

Saniboy G, Sanimaster G



Application

HOMA Saniboy G and Sanimaster G are compact sewage disposal units. They are suitable for pumping sewage and waste water from toilets, hand basins, showers and rooms which are below the sewer level according to DIN EN 12056 or in areas of low population or under difficult topographic conditions where small dimensioned discharge pipes are required. With the advantage of using discharge pipes either DN 40 or DN 50 diameter the construction work and the cost are lower in respect to the conventional discharge pipes. They are suitable as a single pump station (Saniboy G) or as a twin pump station (Sanimaster G) with standby pump.
DIN EN 12050-1: Design tested and monitored.

Pumped medium: Clean water and waste water with solid and fibrous content and feces.

Max. temperature of pumped medium: 35°C, for brief periods up to 60°C.

Operating mode: Intermittent operation.

Design

Flood protected single or twin pump lifting station consisting of:

Collection tank: Odour and gas- tight plastic collecting tank.

Inlets:

- DN 100/DN 40 graduated horizontal (optional with 180 mm or 250 mm height)
- DN 100/DN 40 graduated vertical

Air vent union: DN 70 vertical.

Connection for diaphragm pump: BSP 1" F.

Cleaning cover with screw cap.

Pump: Single stage centrifugal pump with horizontal discharge. Open multi-blade impeller with upstream cutting device for breaking up solids. Sanimaster G with 2 pumps. Discharge: BSP1 1/2.

Motor: Fully submersible motor, sealed against pressurized water, single phase or three phase version, thermal sensor for temperature monitoring in the winding. Insulation class H, protection rating IP 68.

Shaft/bearing: Chrome steel motor shaft, prelubricated bearings.

Seal: Model GRP 16 with combination of mechanical seal (silicon carbide) and lip seal in oil chamber. Model GRP 26 with 2 mechanical seals (silicon-carbide) in oil chamber.

Oil control possible from the outside.

Materials

Collection tank	Plastic
Motor housing, pump housing, impeller	Cast iron EN-GJL250
Cutting system	Stainless steel 1.4122 50-55 HRC
Motor shaft, screws	Stainless steel
Elastomers	NBR

Scope of supply

Tank with 1 pump (Saniboy G) or 2 pumps (Sanimaster G), Discharge with Bend 90° BSP1 1/2.
Elastic union piece for inlet DN 100 and air vent DN 70 with bands. Pneumatic level control. Electronic control box with cable and plug.
(1-Ph) or CEE-plug 16 A (3-Ph).

Control box

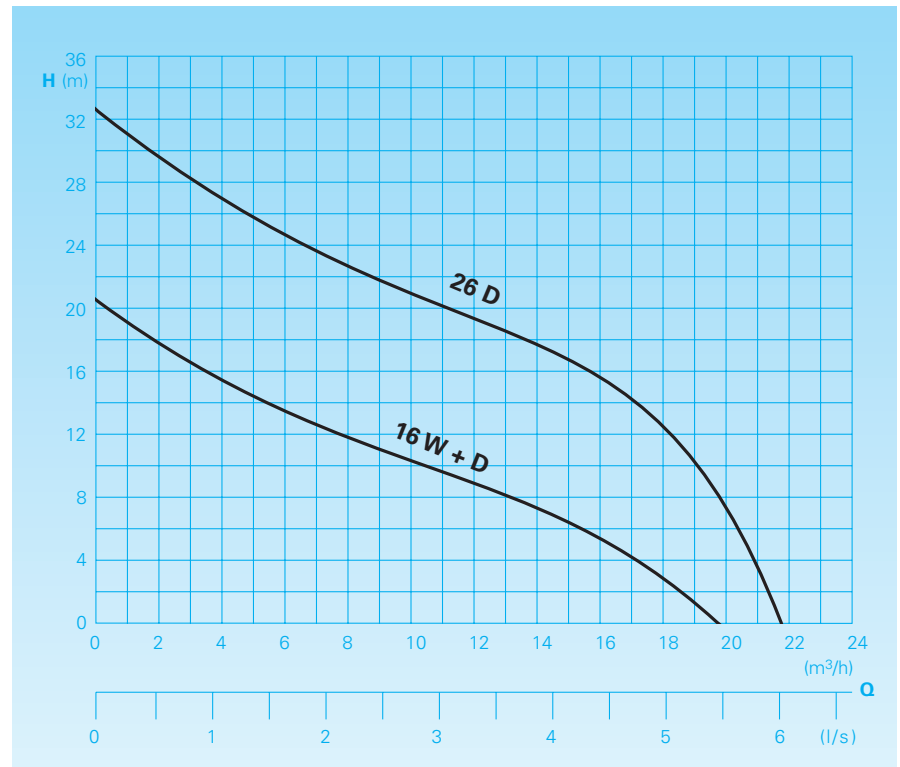
Pneumatic level control with pressure control. Electronic control box for control and monitoring all important functions with advice of any problems. Motor protection with temperature control of the winding. Optical indication for unit failure. Alarm signal through integral buzzer.

Volt free contact for remote signal. Control indication for direction of rotation. Motor over run period which prevents sewage build up and blockage.

Easy conversion to mains independent alarm through installing a 9,0 V battery (see accessories). Additionally for twin pump station Sanimaster: Auto-change over after each pump cycle. Operation of second pump by high flow. In the event of failure one pump automatically changes to the second pump.



Conveying capacities



Technical data

Saniboy G: Single pump station | **Sanimaster G:** Twin pump station

Pump type	Motor input		Voltage	Rotational	Nominal	Weight
Sanistar	P ₁ (kW)	P ₂ (kW)	50 Hz (V)	speed (rpm)	current (A)	(kg)
Saniboy G						
180- 16 W*	1,5	1,1	230/1Ph	2900	7,5	37
250- 16 W*						
180- 16 D*	1,3	0,9	400/3Ph	2900	2,5	37
250- 16 D*						
180- 26 D*	2,5	1,9	400/3Ph	2900	4,4	51
250- 26 D*						
Sanimaster G						
180- 16 W*	1,5	1,1	230/1Ph	2900	7,5	62
250- 16 W*						
180- 16 D*	1,3	0,9	400/3Ph	2900	2,5	62
250- 16 D*						
180- 26 D*	2,5	1,9	400/3Ph	2900	4,4	89
250- 26 D*						

* Height to main horizontal inlet in mm | Performance data for each pump

Inlets: DN 100 / DN 40 (2x) | **Discharge:** BSP1 1/2

Air vent: DN 70 | Connection for diaphragm pump BSP1" F



Collection tank

Inlets heights	180 mm	250 mm
Total volume	46 l	46 l
Operating volume	31 l	31 l

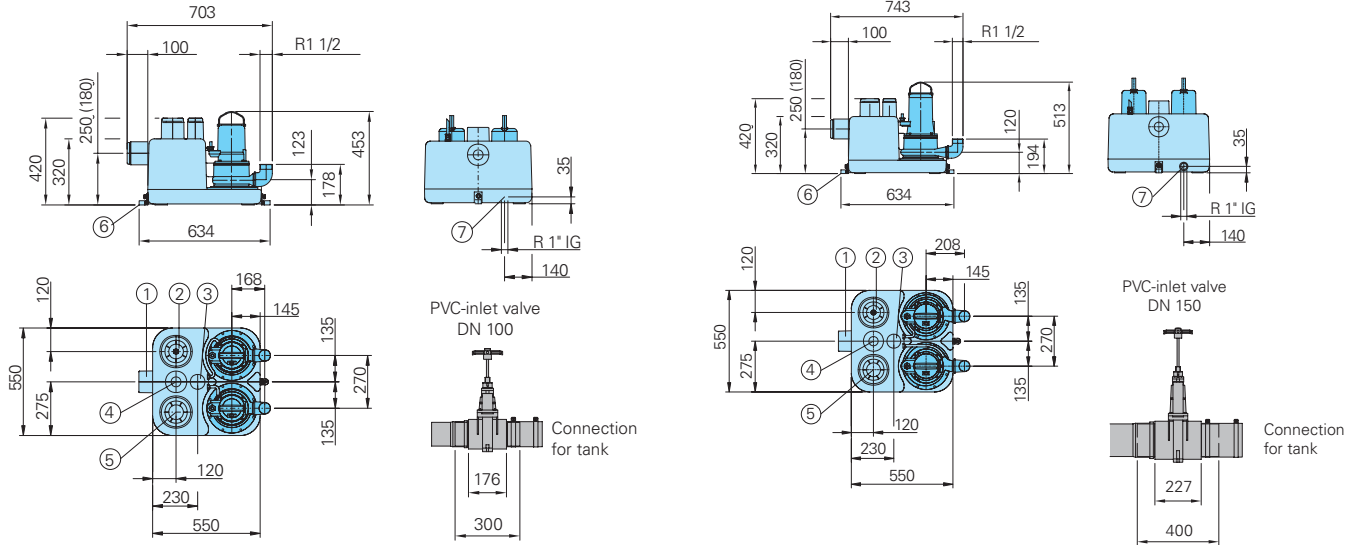
Connecting cable

	Type	Length
Unit control box	H07RN8-F 6G1,5	4 m
Control box plug	H07RN8-F 5G1,5	0,8 m

Dimensions (all dimensions in mm)

Saniboy G... - 16 W+D
Sanimaster G... - 16 W+D

Saniboy G... - 26 W+D
Sanimaster G... - 26 W+D

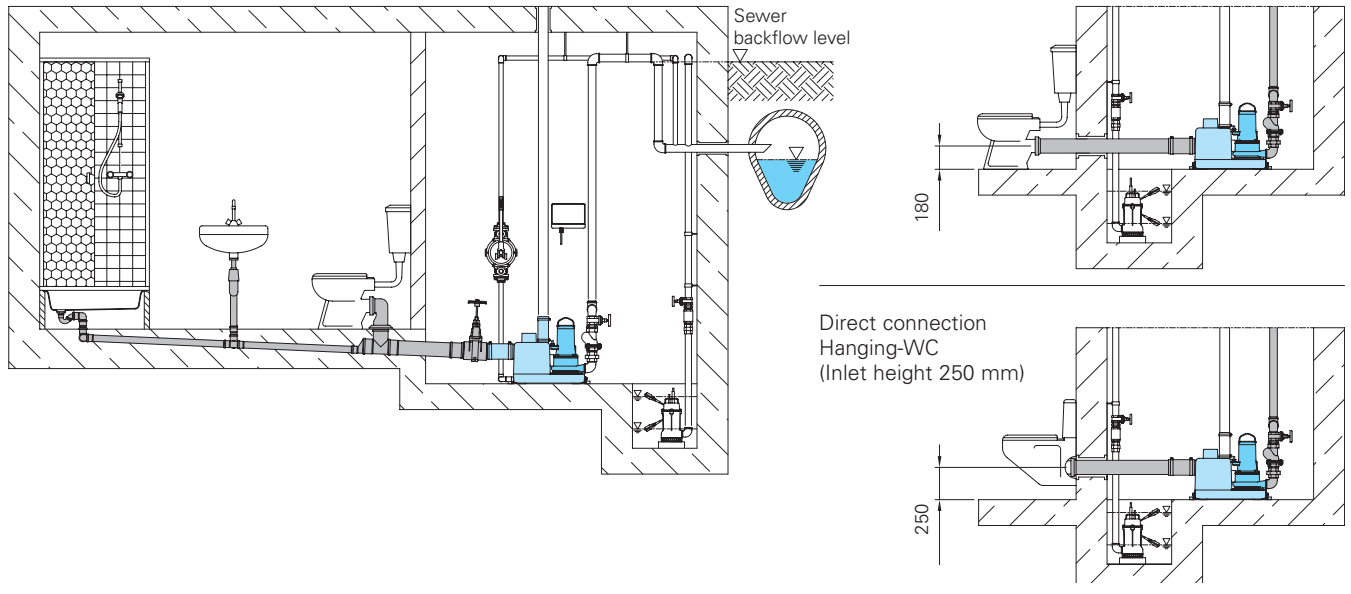


- ① Horizontal inlet DN 100 / DN 40
- ② Connection for pneumatic level control
- ③ Air vent DN 70
- ④ Vertical inlet DN 100 / DN 40
- ⑤ Cleaning cover
- ⑥ Tank fixing point
- ⑦ Connection for diaphragm pump

Installation example

Horizontal main inlet

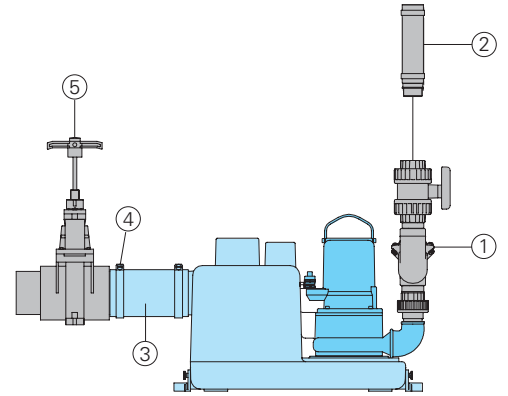
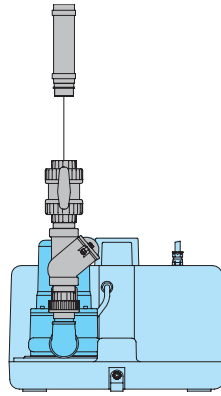
Direct connection
Euro-WC
(Inlet height 180 mm)



Accessories

Description	Size	Part no.
① Accessories-Kit Pressure pipe KIT SBG 180/250 consisting of ball valve, ball non-return valve, screw connection	BSP 1 1/2"	8609021
① Accessories-Kit Pressure pipe KIT SMG 180/250 consisting of ball valve, ball non-return valve, screw connection	BSP 1 1/2"	8609022
② Accessories-Kit Elastic union piece KIT SBG/SMG 180/250 D50		8609024
③ Elastic union piece with hose clamps	DN 100	in scope of supply
	DN 150	2159542
④ Hose clamp	S114/20	2311520
⑤ PVC inlet valve	DN 100	2214110
	DN 150	2214160
○ Diaphragm pump	BSP 1" F	8502445
○ Battery 9 V for mains independent alarm		1952214

Saniboy G



Sanimaster G

