

**Submersible motor pumps
 für chemically polluted drainage water.
 Free passage 10 mm.**

CH413

Application

Pumps for conveying drainage water which is polluted with alkaline or acid chemicals. With the advantage of thick wall casting and viton seals, they are the ideal solution to pump mediums with pH-value between 5-14. They are suitable for laundries, car washes, food industries and many other applications.
DIN EN 12050-2: Design tested and monitored.

Installation: Stationary or mobile.

Pumped medium: Clear- or domestic drainage water, pH-value 5 – 14.
 Max. temperature of pumped medium: 40°C, for brief periods up to 60°C.

Operating mode: Motor submerged: Continuous operation (S1). Motor not submerged or medium temperature 41- 60 °C:
 Intermittent operation (S3 30%)

Design

Fully submersible pump, consisting of:

Pump: Single-stage with horizontal discharge.

Impeller: Open multi-blade impeller, free passage 10 mm.

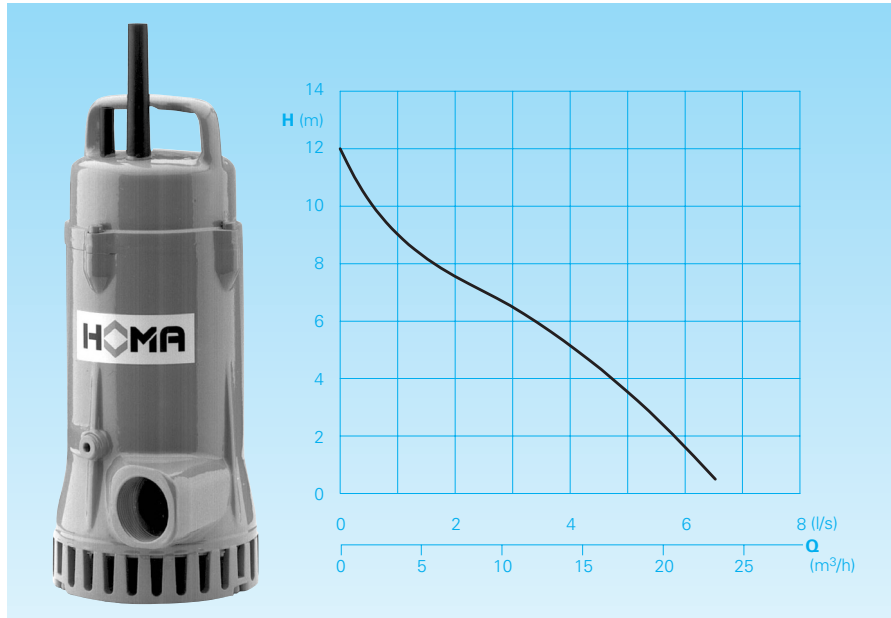
Motor: Fully submersible motor, sealed against pressurized water, oil-filled. Insulation class H. Protection rating IP 68. Single phase version with thermal sensor in the winding for temperature monitoring. Electrical compartment is separate from motor.

Connecting cable W: H07RN8-F 4G1,5
 Connecting cable D: H07RN-F 4G1,5 with protection hose (polyolefine).

Shaft/bearing: strongly dimensioned chrome steel shaft, lifetime-lubricated roller bearings.

Seal: Combination of mechanical seal and radial seal that is independent of the direction of rotation.

Conveying capacities



| Pump type | Motor input | | Voltage 50 Hz (V) | Nominal current (A) | Weight (kg) |
|------------|------------------------|------------------------|-------------------------|---------------------------|----------------|
| | P ₁ (kW) | P ₂ (kW) | | | |
| CH413 W(L) | 1,1 | 0,7 | 230/1Ph | 4,7 | 20,0 |
| CH413 D(L) | 1,2 | 0,8 | 400/3Ph | 2,2 | 20,0 |

Rotational speed: 2900 rpm
Discharge: BSP1 1/2

Model L: without switchgear, with loose cable end.

Materials

| | |
|---------------------------------------|----------------------|
| Pump housing, impeller, motor housing | Cast iron EN-GJL-250 |
| Motor shaft | Stainless steel |
| Mechanical seal | Sic/Sic |
| Elastomers | Viton |
| Mechanical connection parts | Stainless steel |

Scope of supply

Pump with 10 m of connecting cable

Model W (230V/1Ph):

With switchgear W1, motor protection, ON-OFF-switch and mains plug.

Model D (400V/3Ph):

With switchgear D32, motor protection, ON-OFF-switch and CEE reversing plug.

Model L:

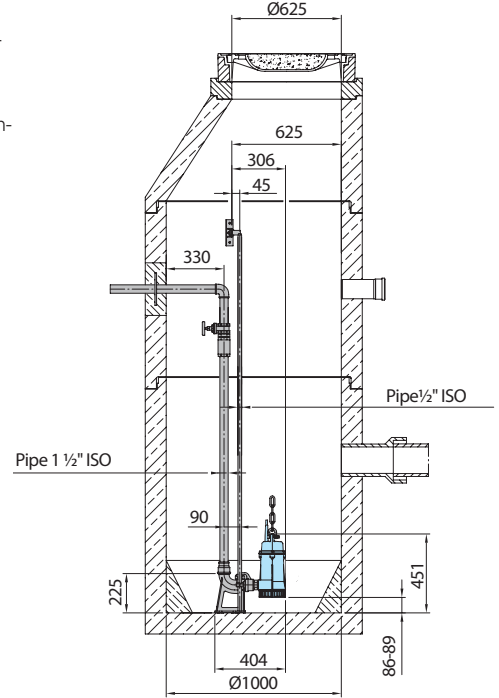
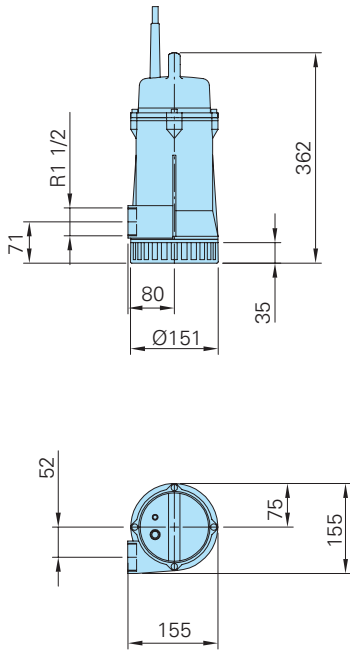
With loose cable end. Possible switch-gears available as accessories. The capacitor required for operation is installed in the pump.

Dimensions and installation example (all dimensions in mm)

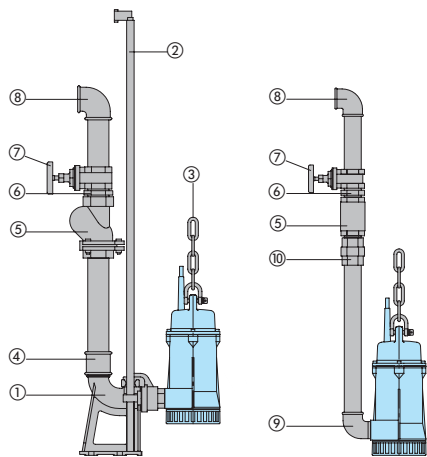
CH413

Shaft installation with automatic coupling system.

The pump is simply pulled up on the solid two-pipe guide for maintenance or replacement without walking through the shaft. When it is lowered again, it automatically couples to the pressure line. This installation is possible for single and multi-pump stations. Advantages: low space requirement, particularly service-friendly and economical.



Accessories



| Description | Size | Part no. |
|---|-----------------|------------|
| ① Automatic coupling system GG with mating flange, base elbow with thread and slide rail bracket KK50/BSP1 1/2" | BSP2"/BSP1 1/2" | 8604000 |
| ○ Coupling system completely or partly in stainless steel | all | on request |
| ○ Screw-Kits for fastening coupling systems | | on request |
| ○ Intermediate bracket for slide rail bracket extension Ø 1/2" for KK50 | | 7320271 |

| Description | Size | Part no. |
|--|--|--------------------|
| ② Guide rails, in pairs, per m | | |
| Galvanized steel | Ø 1/2" | 2190085 |
| Stainless steel | Ø 1/2" | 2190250 |
| ③ Pump chain sets, tested. With shackle, single or dual row, different lengths and load bearing capacities | | on request |
| ④ Double socket, galvanized | BSP 2" F BSP 2" F x BSP 1 1/2" F | 2109102 2102210 |
| ⑤ Non-return ball valve GG | BSP 1 1/2" F BSP 2" F | 2212902 2212903 |
| ⑥ Double nipple, galvanized | BSP 1 1/2" M BSP 2" M | 2009020 2009018 |
| ⑦ Shut-off gate valve, MS | BSP 1 1/2" F BSP 2" F | 2216015 2216020 |
| ⑧ 90° bend, galvanized | BSP 1 1/2" F BSP 2" F | 2113605 2113606 |
| T-piece for merging the pressure pipe in double pump stations | BSP 1 1/2" F BSP 2" F | 2114302 2114306 |
| ⑨ 90° bend, galvanized | BSP 1 1/2" F/M BSP 2" F/M | 2111505 2111506 |
| ⑩ Transitional screw mounting, galvanized | BSP 1 1/2" M/F | 2114305 |
| ○ STA-hose-screw mounting, brass | BSP 1 1/2" M | 2001513 |
| STORZ-fixed coupling | C-G 1 1/2" M | 2010003 |

| Description | Size | Part no. |
|--|------------------------------|--|
| ○ PVC-hose, per m | 1 1/2" Ø 38 mm | 2621500 |
| Plastic spiral hose, per m | Ø 50 mm | 2632050 |
| STORZ hose coupling | C-38 Ø C-52 Ø | 2013002 2013003 |
| Hose clamp | 1 1/2" 2" | 2304854 2306009 |
| Synthetic pressure hose, with rubber lining, complete with C-couplings C-52 mm Ø | 10 m 15 m 20 m 30 m | 2611310 2611315 2611320 2611330 |
| ○ For pump controllers and switchgears for mobile and stationary applications, measuring systems and monitoring devices, | | see HOMA accessories |



We reserve the right to alter our specifications without notice!