

# Hydraulic pump

## HY50



PUMP SPECIFICATIONS	Mod. A	Mod. B
Capacity [m <sup>3</sup> /h]	110	170
Head [m]	44	38
Impeller diameter [mm]/type	490/2 blades closed	
Flanged bore size [DN.../PN...]	DN100/PN10	DN150/PN10
Cross section diameter [mm]	35	
Weight [kg]	600	610

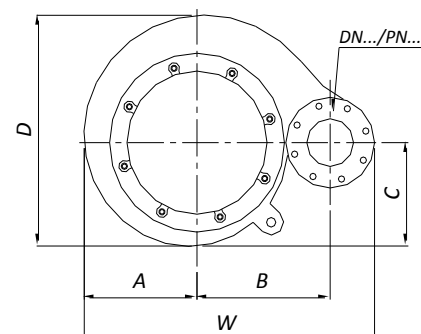
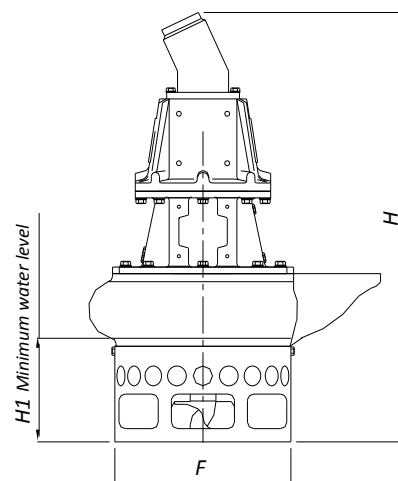
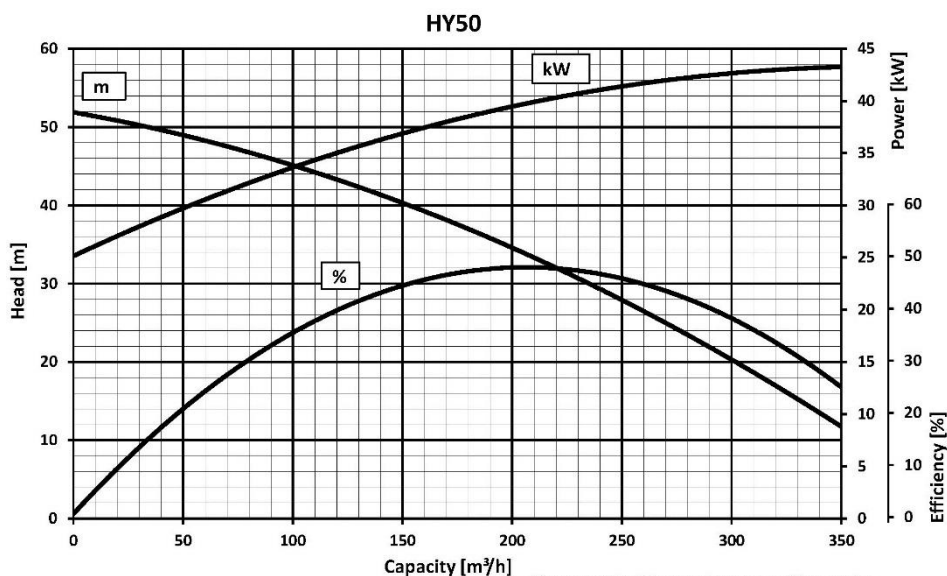
HYDRAULIC MOTOR	
Motor displacement [cc]	75
Max. oil flow rate [l/min]	90
Max. pressure [bar]	300
Power [kW-HP]	45-60
Speed [RPM]	1180

MATERIALS	
Casing	Spheroidal cast iron EN-GJS-500-7 (EN 1563)
Motor housing	Cast iron EN-GJL-250 (EN 1561)
Wear parts	High chrome EN-GJN-HV600 (XCr18) (EN 12513)
Main shaft	High tensile steel 39NiCrMo3 (AISI 9840)

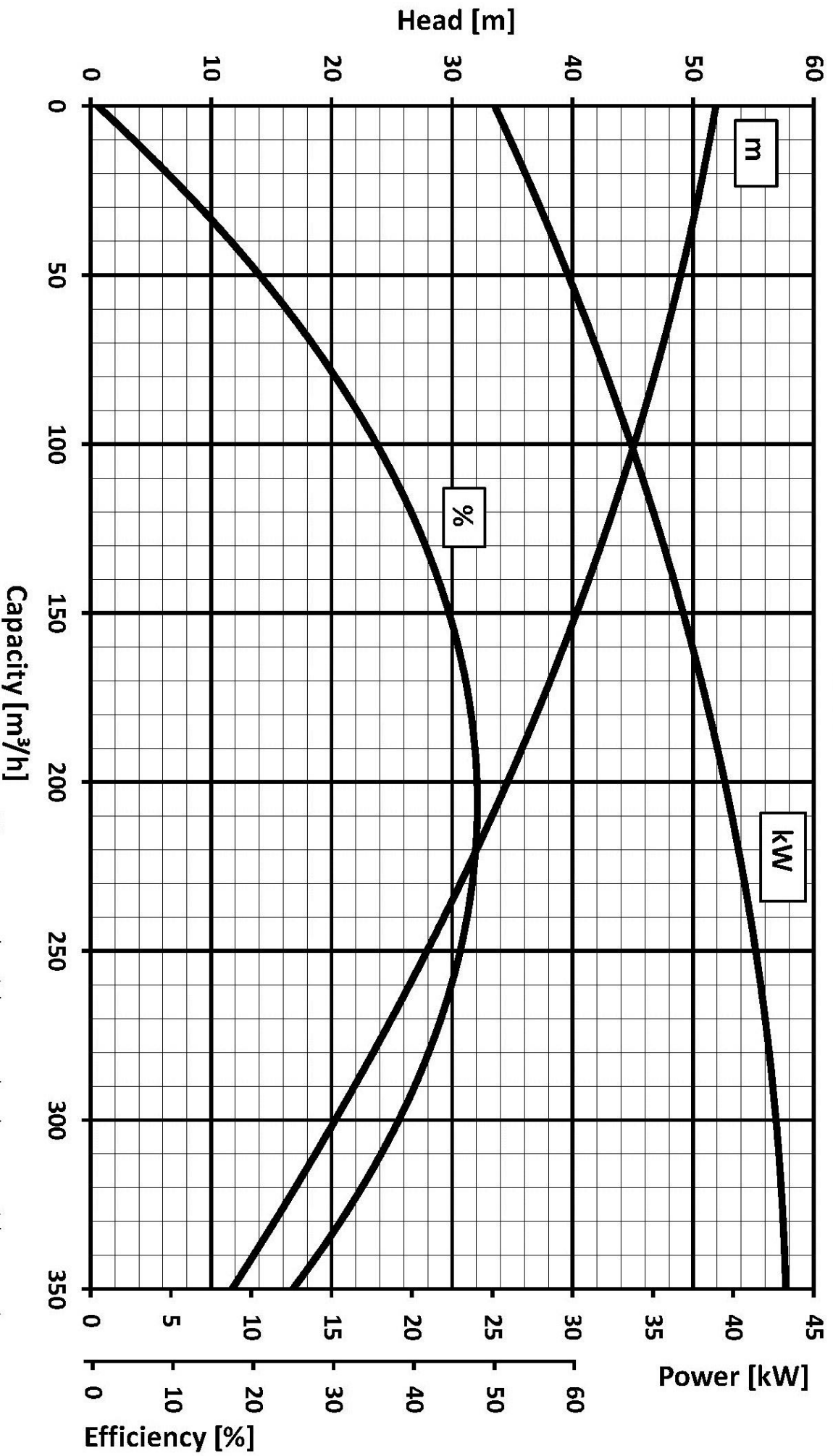
SEALS / LUBRICANT	
Motor side seals	2 lip seals (BUNA)
Impeller side seals	3 lip seals (BUNA) + 1 V-RING (TPU)
Oil type	ISO 320

DIMENSIONS [mm]							
H	W	D	F	H1	A	B	C
1330	902	774	600	274	374	418	363

### PERFORMANCE CURVES



# HY50



We reserve the right to make changes without notice