

Hydraulic excavator

EXHY35 (/S /H)

EXCAVATOR SPECIFICATIONS

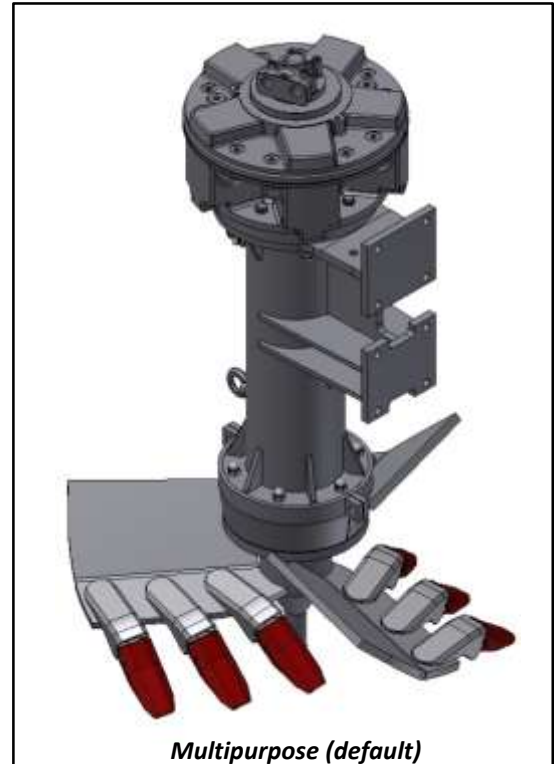
Torque (kNm)	4.5
Blades/Teeth n°	3/9
Weight [kg]	600

HYDRAULIC MOTOR

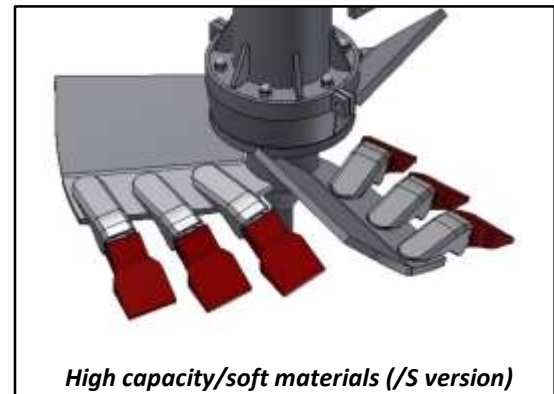
Motor displacement [cc]	1200
Max. oil flow rate [l/min]	60
Max. pressure [bar]	250
Power [kW-HP]	25-34
Speed [RPM]	50

LUBRICANT

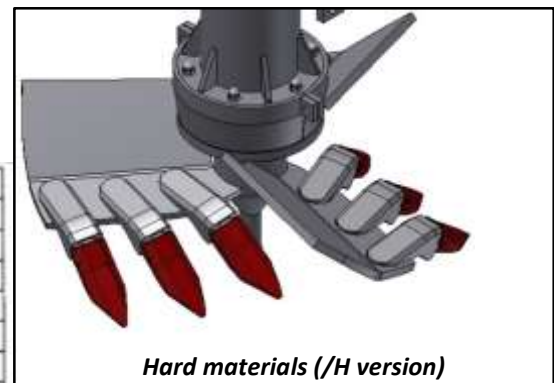
Oil type	ISO 320
----------	---------



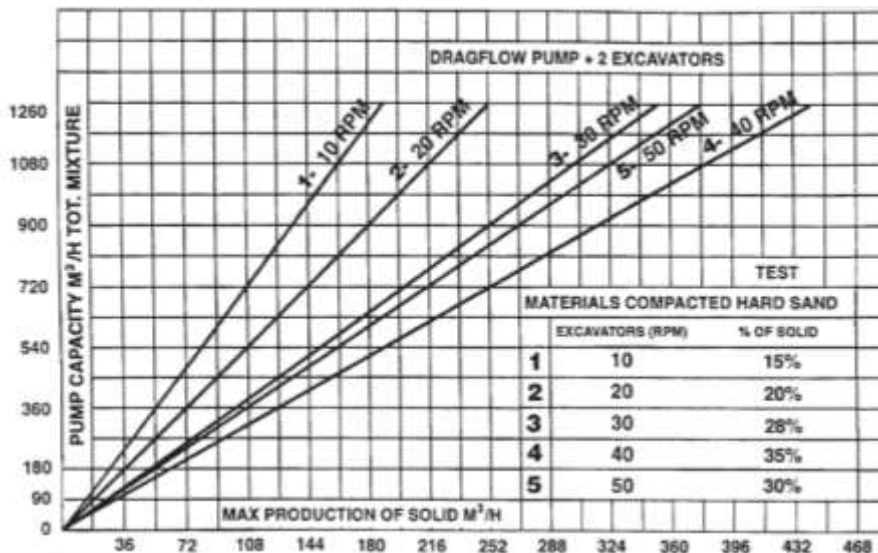
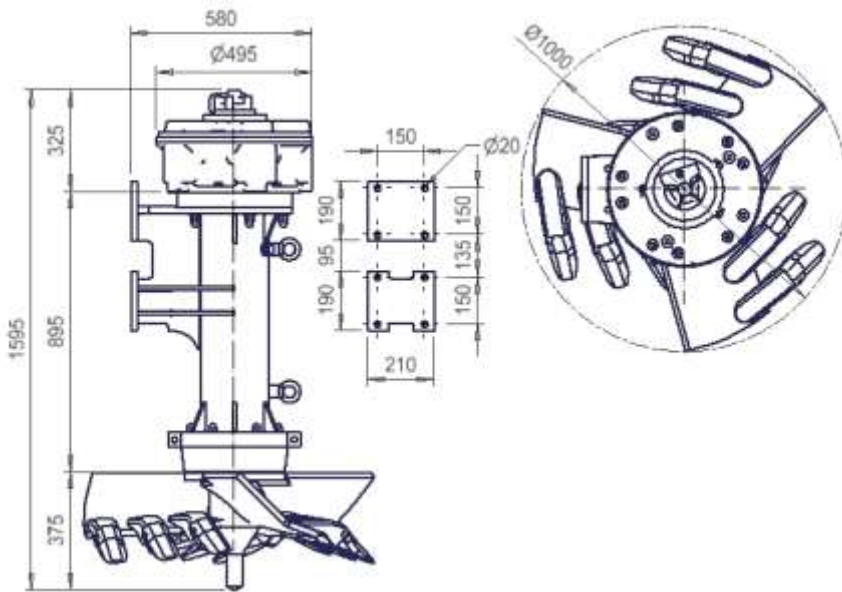
Multipurpose (default)



High capacity/soft materials (/S version)



Hard materials (/H version)



EXHY35.docx