

Hydraulic pump

HY85-160HC

PUMP SPECIFICATIONS

Capacity [m ³ /h]	650
Head [m]	27.5
Impeller diameter [mm]/type	405/3 blades closed
Flanged bore size [DN.../PN...]	DN250/PN10
Cross section diameter [mm]	90
Weight[kg]	1100

HYDRAULIC MOTOR

Motor displacement [cc]	160
Max. oil flow rate[l/min]	240
Max. pressure [bar]	300
Power [kW-HP]	120-165
Speed [RPM]	1450

MATERIALS

Casing	Spheroidal cast iron EN-GJS-800-2 (EN 1563)
Motor housing	Cast iron EN-GJL-250 (EN 1561)
Wear parts	High chrome EN-GJN-HV600 (XCr18) (EN 12513)
Main shaft	High tensile steel 39NiCrMo3 (AISI 9840)

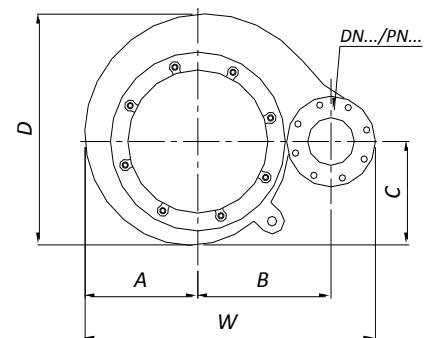
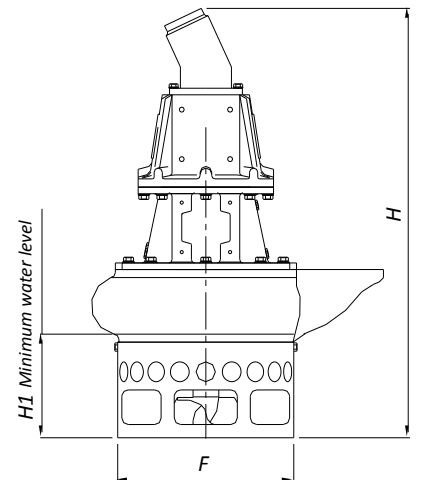
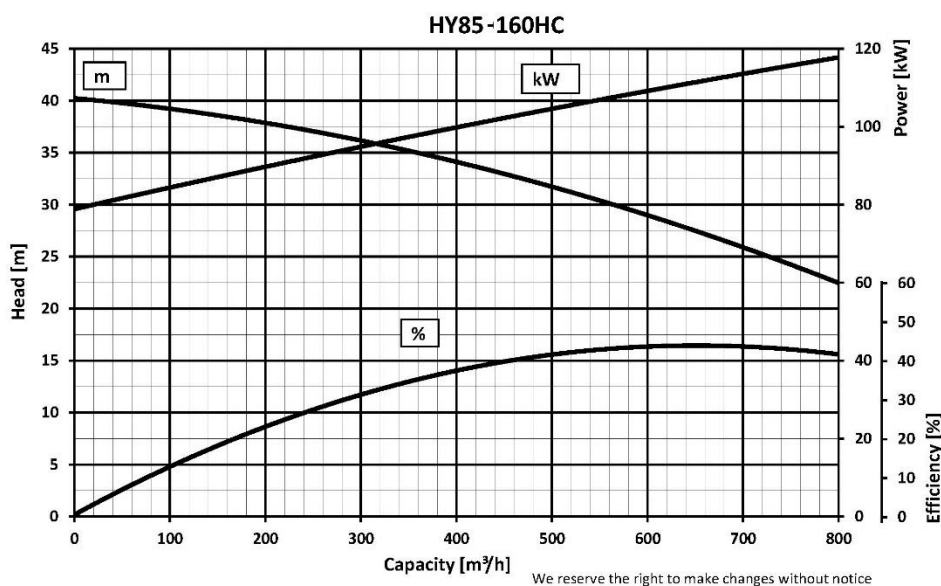
SEALS / LUBRICANT

Motor side seals	2 lip seals (BUNA)
Impeller side seals	5 lip seals (3 BUNA + 2 PTFE) + 1 V-RING (TPU)
Oil type	ISO 320

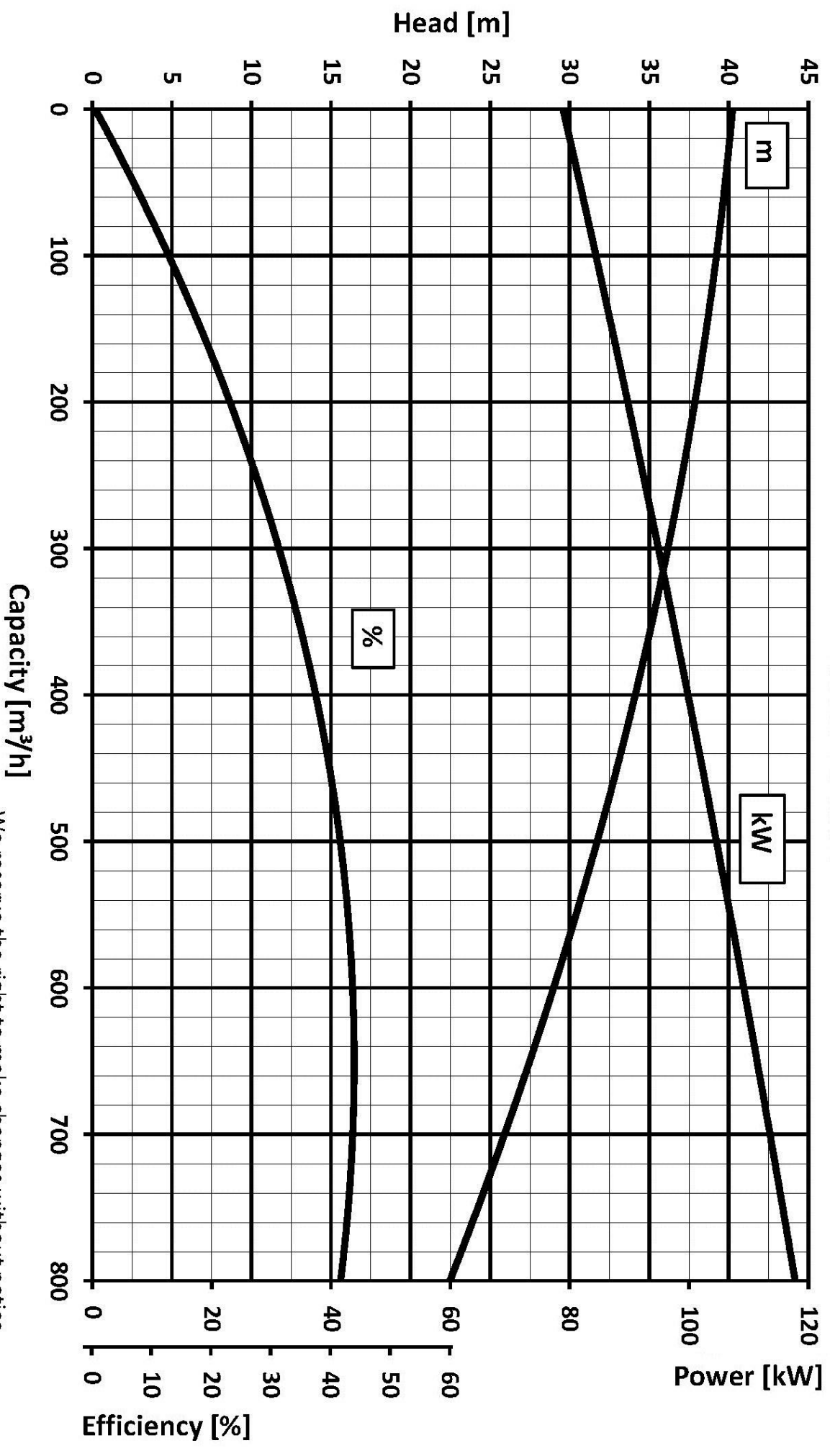
DIMENSIONS [mm]

H	W	D	F	H1	A	B	C
1470	1165	1020	548	326	449	485	449

PERFORMANCE CURVES



HY85-160HC



We reserve the right to make changes without notice