

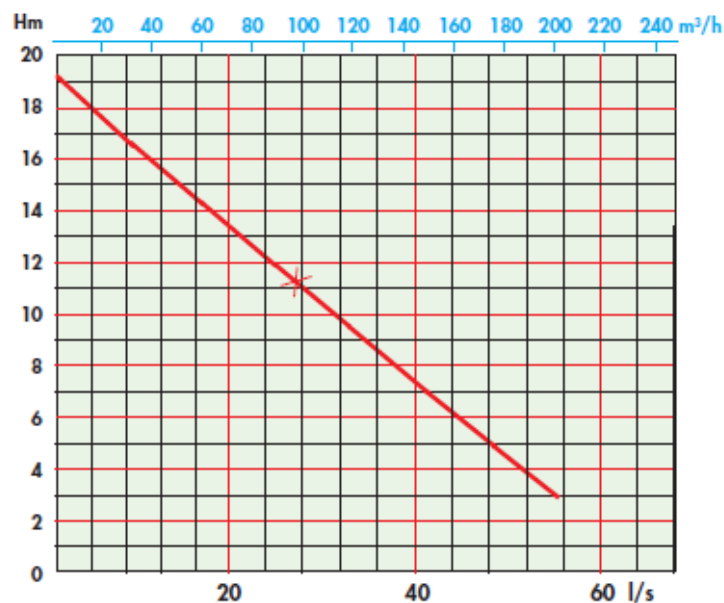
MAXI HRNN

Single channel impeller for 78mm solids handling

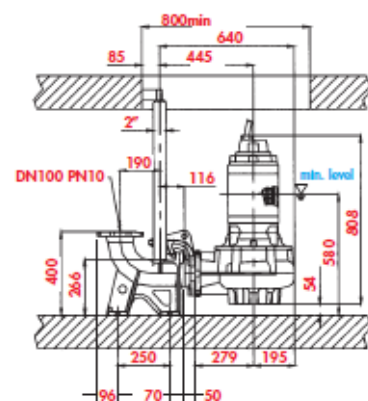
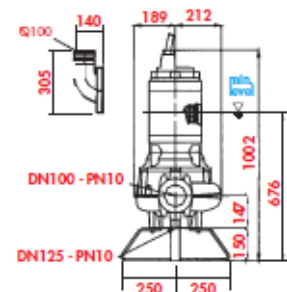
The 400/3/50 Maxi HRNN submersible is designed for heavy duty applications with pumped media containing solids in suspension up to 78mm dia at temperatures up to 40°C and densities to 1.2kg/dm³.

It features a single channel impeller designed for high hydraulic efficiency mounted on a reduced length shaft.

- G250 cast iron construction
- Mechanical seal - silicon carbide/carbide
- Lip seal and O-rings in Nitrile
- Oil chamber
- Asynchronous 1436 rpm motor suitable for >15 starts per hour
- 10 metres 12G2.5 Neoprene HO7RN-F cable as standard
- Built in thermal protection and humidity probe
- Freestanding, Guiderail, Dry Well and ATEX options available.



MODEL	kW P ₂	Nom. Amps	Starting Amps	Weight Kg	Best Efficiency		
					kW	mH	m ³ /hr
MAXI HRNN	7.1	13.5	79.6	170	5.6	11.2	95.6



POLYPUMP LIMITED

...pumping solutions