

Data sheet: Padus PRO M08/T060-540

Operating data

Pressure port	Storz B
Nominal flange diameter	Storz B
Output connection standard	DIN 14303
Free ball passage of the hydraulics	10 mm
Operating mode (immersed)	S1
Operating mode (non-immersed)	S1
Max. immersion depth	20.00 m
Max. fluid temperature T	40 °C
Min. fluid temperature T	3 °C
Gross weight, approx. m	73.0 kg

Motor data

Mains connection	3-400 V, 50 Hz
Voltage tolerance	±10 %
Rated current I_N	11.60 A
Starting current I	90 A
Power factor $\cos \varphi$	0.86
Rated speed n	2910 rpm
Activation type	Direct online (DOL)
Max. switching frequency t	20 1/h
Operating mode (immersed)	S1
Operating mode (non-immersed)	S1
Protection class motor	IP68
Power consumption $P_{1 \max}$	6900.0 W
Rated power P_2	6.00 kW

Cable

Connection cable length	23.0 m
Cable type	H07RN-F
Cable cross-section	7G1,5 mm ²

Installation dimensions

Pipe connection on the suction side <i>RPS</i>	-
Pipe connection on the pressure side <i>RPD</i>	Storz B

Product data

Max. fluid temperature T	40 °C
Min. fluid temperature T	3 °C
Max. ambient temperature T	40 °C
Free ball passage of the hydraulics	10 mm

Unit

Max. immersion depth	20.00 m
Min. fluid temperature T	3 °C
Max. fluid temperature T	40 °C

Equipment/function

Explosion protection type	no
Motor protection	Bimetallic
Motor, leakage detection	no
Sealing chamber, leakage detection	no
Leakage chamber, leakage detection	no

Materials

Pump housing	EN AC-43000, AISi10Mg(a)
Shaft	1.4401, X5CrNiMo17-12-2
Gasket material	NBR
Motor housing	EN AC-43000, AISi10Mg(a)

Information for order placements

Brand	Wilo
Product description	Padus PRO M08/T060-540
Net weight, approx. m	69 kg
Article number	6083438

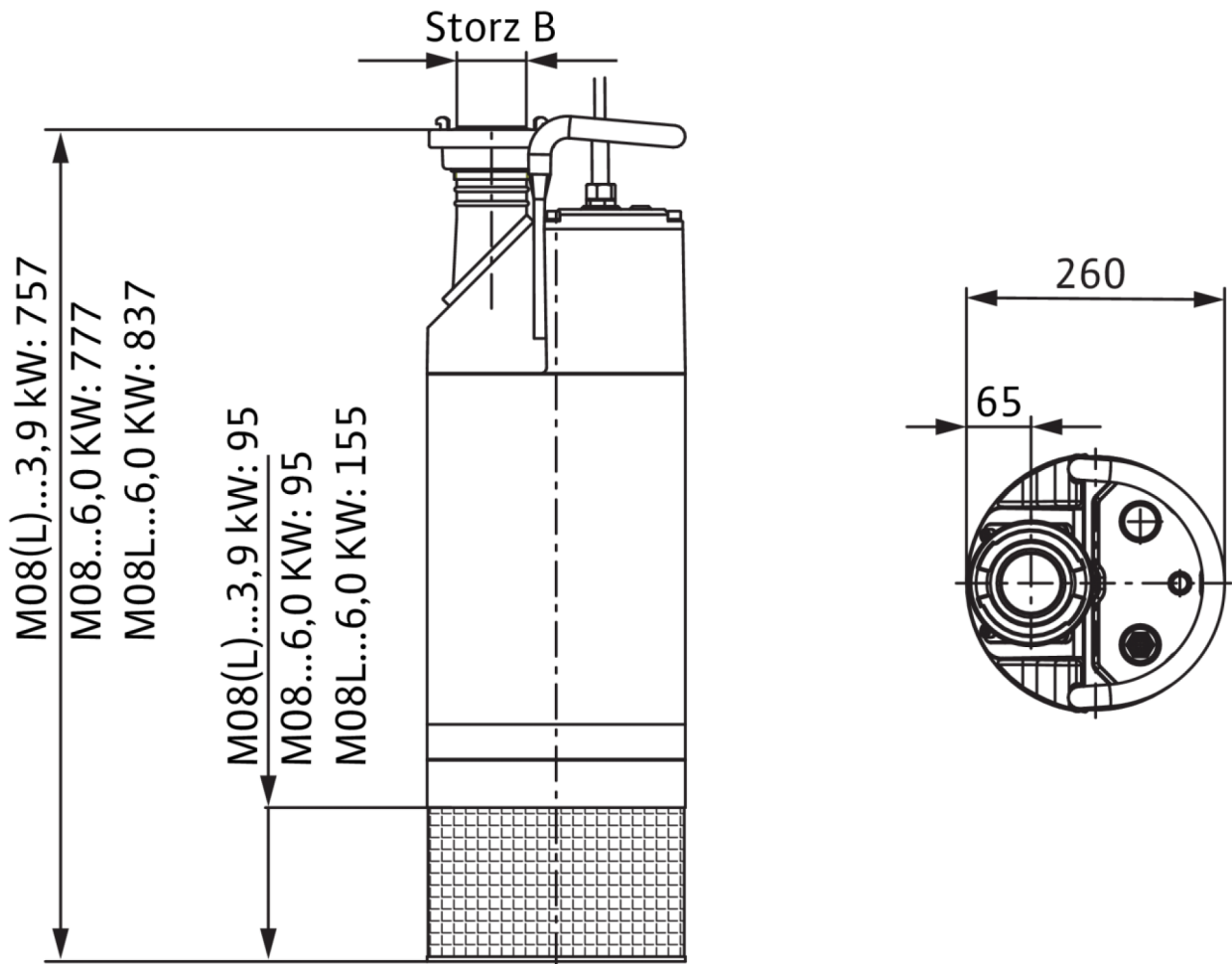
Tender text: Padus PRO M08/T060-540

Fully submersible drainage pump for vertical wet well installation for pumping contaminated and sandy water. Hydraulics housing made of rubberised aluminium, impeller of duplex chrome steel and motor housing of aluminium in the cooling shroud made of stainless steel. Pressure connection with vertical or horizontal pressure outlet and Storz coupling. Surface-cooled IE3 motor in three-phase current version with thermal motor monitoring, motor protection and sealing chamber. Detachable connection cable with bare cable ends. The seal employs two bidirectional mechanical seals. The unit can be used without limits in slurping operation.

Operating data		Product data	
Fluid media	Water	Free ball passage of the hydraulics	10 mm
		Max. immersion depth	20.00 m
		Min. fluid temperature T	3 °C
		Max. fluid temperature T	40 °C
Motor data		Cable	
Mains connection	3~400 V, 50 Hz	Connection cable length	23.0 m
Voltage tolerance	±10 %	Cable type	H07RN-F
Power factor $\cos \varphi$	0.86	Cable cross-section	7G1,5 mm ²
Rated power P_2	6.00 kW		
Power consumption $P_{1 \max}$	6900.0 W		
Rated current I_N	11.60 A		
Starting current I	90 A		
Activation type	Direct online (DOL)		
Rated speed n	2910 rpm		
Max. switching frequency t	20 1/h		
Insulation class	H		
Protection class	IP68		
Operating mode (immersed)	S1		
Operating mode (non-immersed)	S1		
Equipment/function		Materials	
Explosion protection type	no	Pump housing	EN AC-43000, AISi10Mg(a)
Motor protection	Bimetallic	Shaft	1.4401, X5CrNiMo17-12-2
		Gasket material	NBR
		Motor housing	EN AC-43000, AISi10Mg(a)
Installation dimensions		Information for order placements	
Pipe connection on the suction side	-	Brand	Wilo
<i>RPS</i>		Product description	Padus PRO M08/T060-540
Pipe connection on the pressure side	Storz B	Net weight, approx. <i>m</i>	69 kg
<i>RPD</i>		Article number	6083438

Dimensions and dimensions drawings: Padus PRO M08/T060-540

Padus PRO M08



Ordering information: Padus PRO M08/T060-540

Brand	Wilo
Product description	Padus PRO M08/T060-540
EAN number	4048482824437
Article number	6083438
Gross weight, approx. <i>m</i>	73.0 kg
Net weight, approx. <i>m</i>	69 kg
Overall length <i>L</i>	777.0 mm
Height without packaging <i>H</i>	260 mm
Colour	green/silver
Packaging property	Transport packaging
Packaging type	Cardboard box
Number per layer	1
Width without packaging <i>L</i>	260.0 mm
Minimum order quantity	1
Pieces per pallet	1