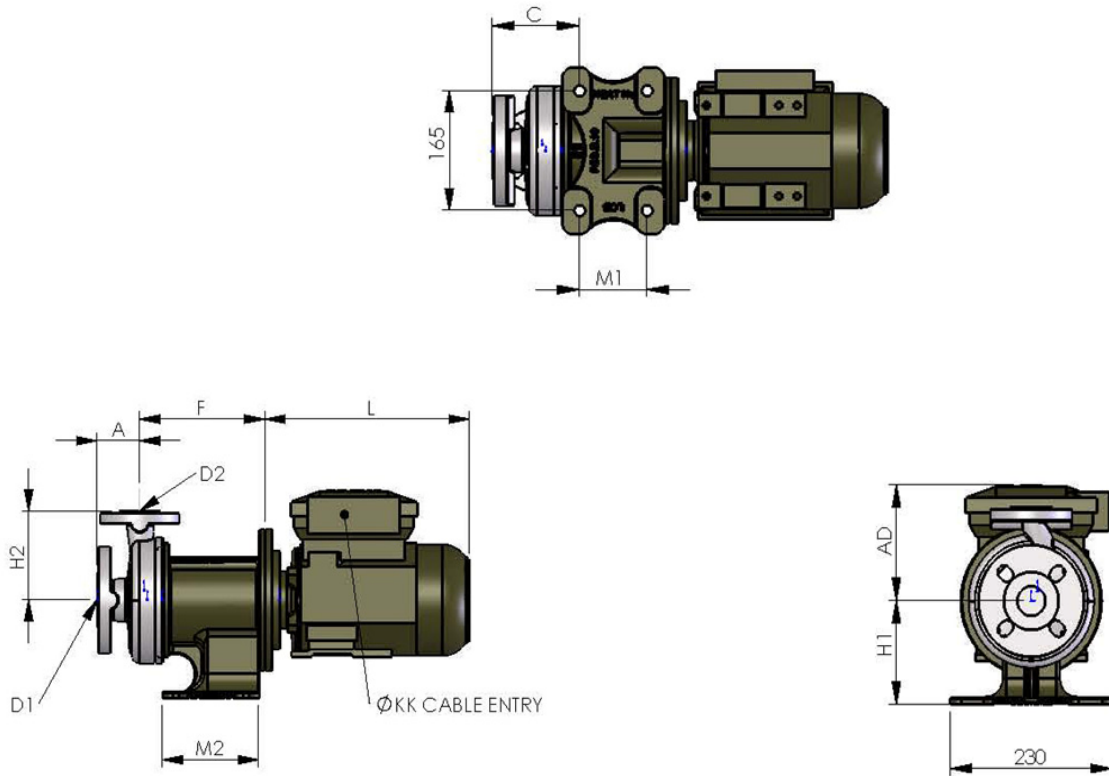
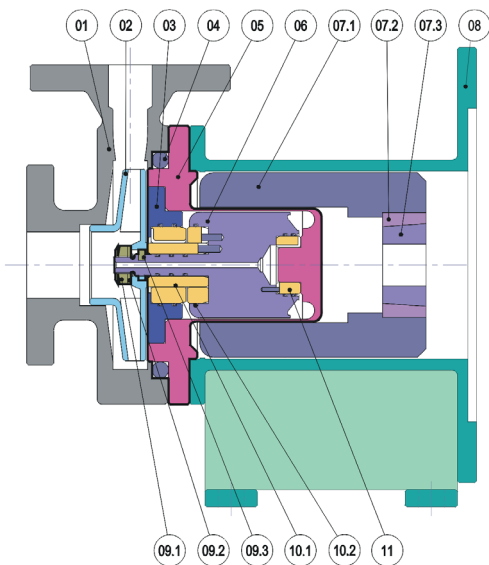


# Technical Data Sheet -PC125M

## General Assembly Drawing



Pump Model	D1	D2	A	C	H1	H2	M1	M2	F
NEW 125M	Ø40	Ø25	62	120	139	125	93	141	184/194



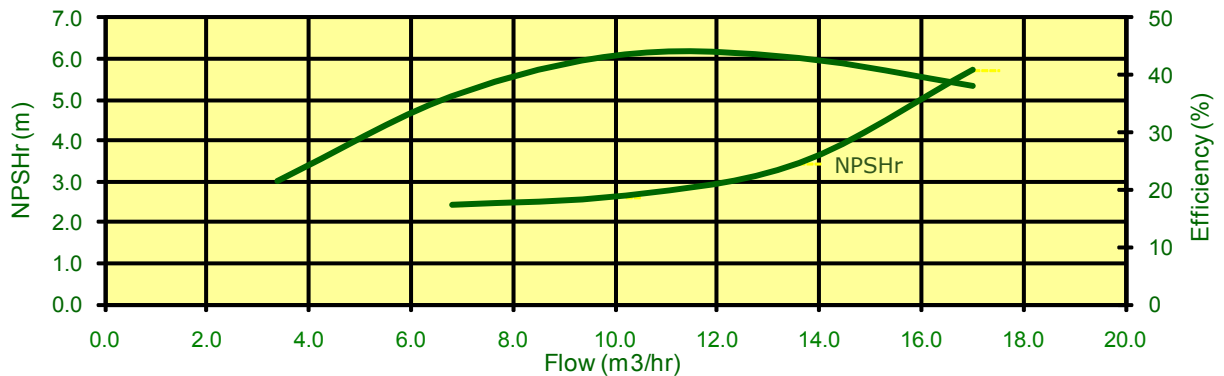
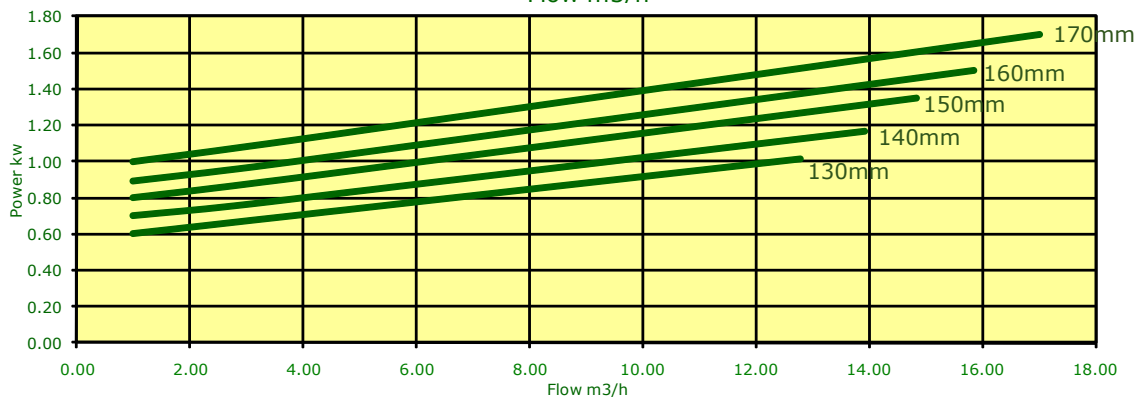
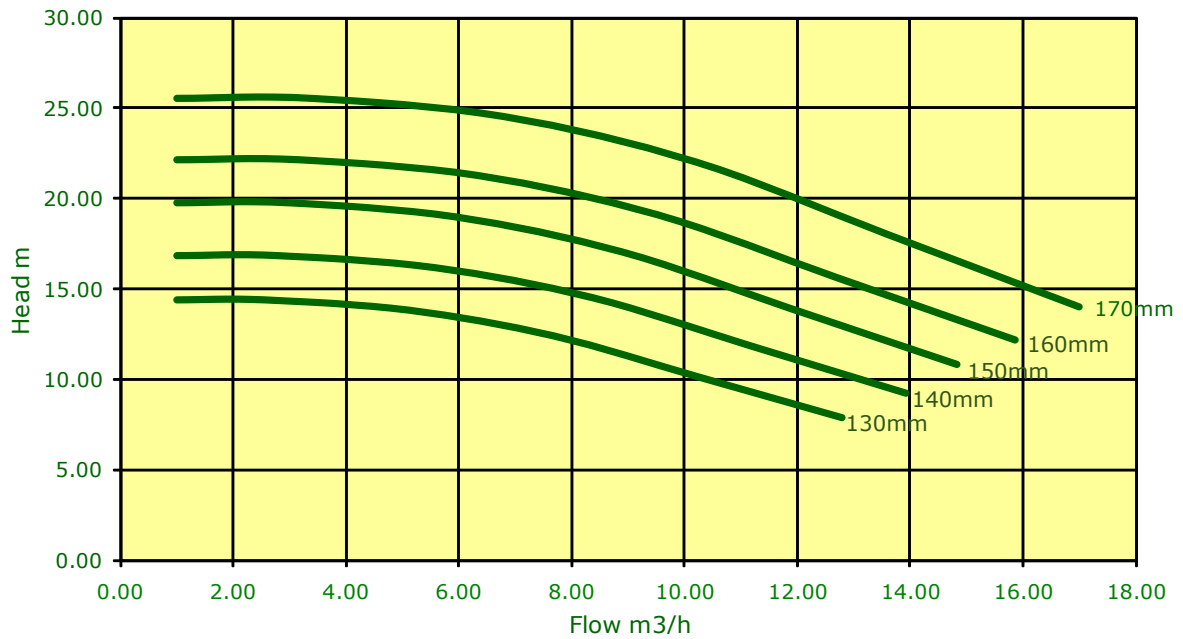
Item No	Description	QTY
01	Casing	One
02	Impeller Assembly	One
03	Bearing Holder	One
04	Casing O-Ring	1-Off *S1 1-Off *S2
05	Back Plate Assembly	One
06	Pump Shaft Assembly	One
07.1	Outer Rotor Assembly	One
07.2	Outer Rotor Taper Lock Adaptor	One
07.3	Outer Rotor Taper Lock Bush	One
08	Pedestal	One
09.1	Impeller Locknut	(*S2) One
09.2	Impeller Washer	(*S2) One
09.3	Impeller Key	(*S2) One
10.1	Front Bearing Assembly (size 2)	(*S2) One
10.2	O-Ring Kit (size 2)	(*S2) One
11	Ring Bearing (Size 1)	(*S2) One
-----	Cartridge Assembly	(*S3) One
<b>Recommended Spares</b>		
*S1	Comissioning Spares	
*S2	2 Years Operational Spares	
*S3	Holding Spares	

**VERDERMAG**  
GLOBAL

## Performance Curves

# Technical Data Sheet -PC125M

PC125M NEW



### Features and advantages

- Hydraulic pump end with standard casing and fabricated casing bowls with centreline discharge
- Single silicon carbide bearing design for increased reliability and o-ring mounting allow easy inter-changeability
- Glandless, totally leak free unit
- Universal PN16 / ANSI 150.lb. flange hybrid as standard
- Other flanges available upon request
- Close coupled motor fitment, no need for re-alignment on commissioning and after servicing



**VERDERMAG**  
GLOBAL