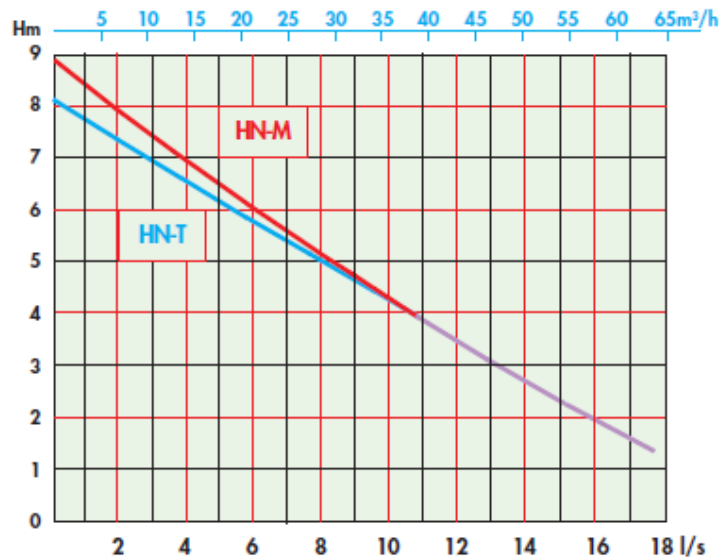


# MAXI HN

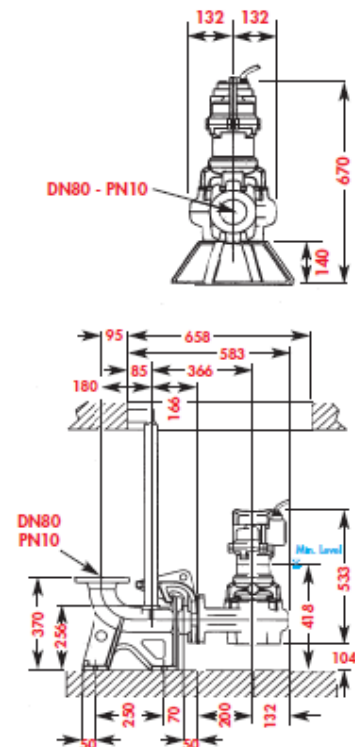
## Single channel impeller for 65mm solids handling

The 230/1/50 or 400/3/50 Maxi HN submersible is designed for heavy duty waste water and sewage applications, with pumped media containing solids in suspension up to 65mm dia. at temperatures up to 40°C. It features a single channel impeller designed for high hydraulic efficiency mounted on a reduced length shaft.

- G250 cast iron construction
- Mechanical seal - silicon carbide/carbide
- Lip seal and O-rings in Nitrile
- Oil chamber
- Continuous duty motors suitable for >15 starts per hour
- 10 metres Neoprene HO7RN-F cable as standard.
- Guiderail and Eex d IIB T4 versions available.



MODEL	Power	Nom. kW	Nom. Amps	RPM	Weight Kg
MAXI HN-M	230/1/50	1.2	6.9	1372	49
MAXI HN-T	400/3/50	1.6	3.1	1382	49



# POLYPUMP LIMITED

...pumping solutions