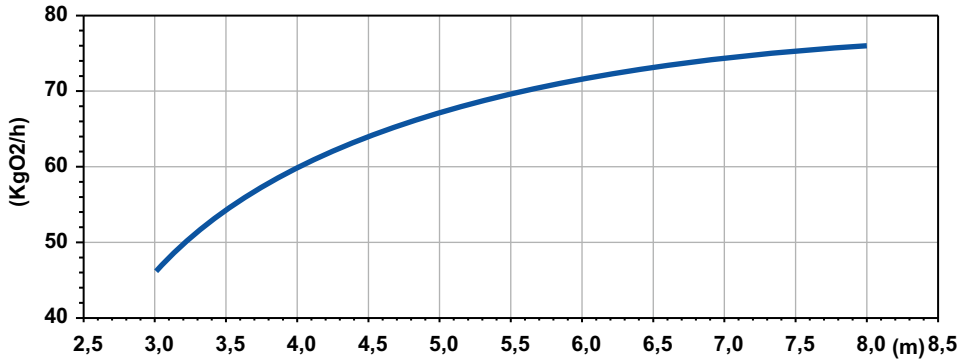
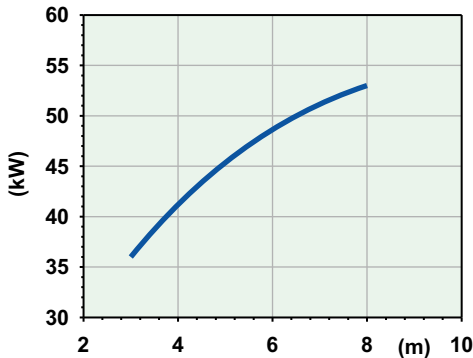


## AJ500G425R550SA

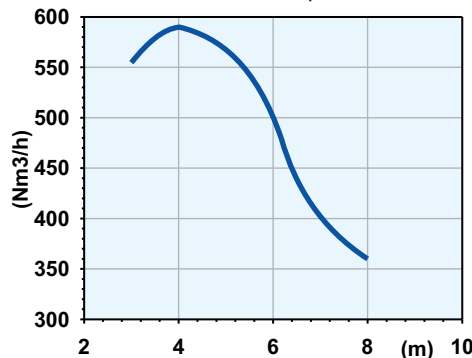
### SOTR



Potenza Assorbita - Absorbed Power P1  
 Puissance Absorbée - Leistungsaufnahme P1  
 Potencia Absorbida - Поглощенная мощность P1



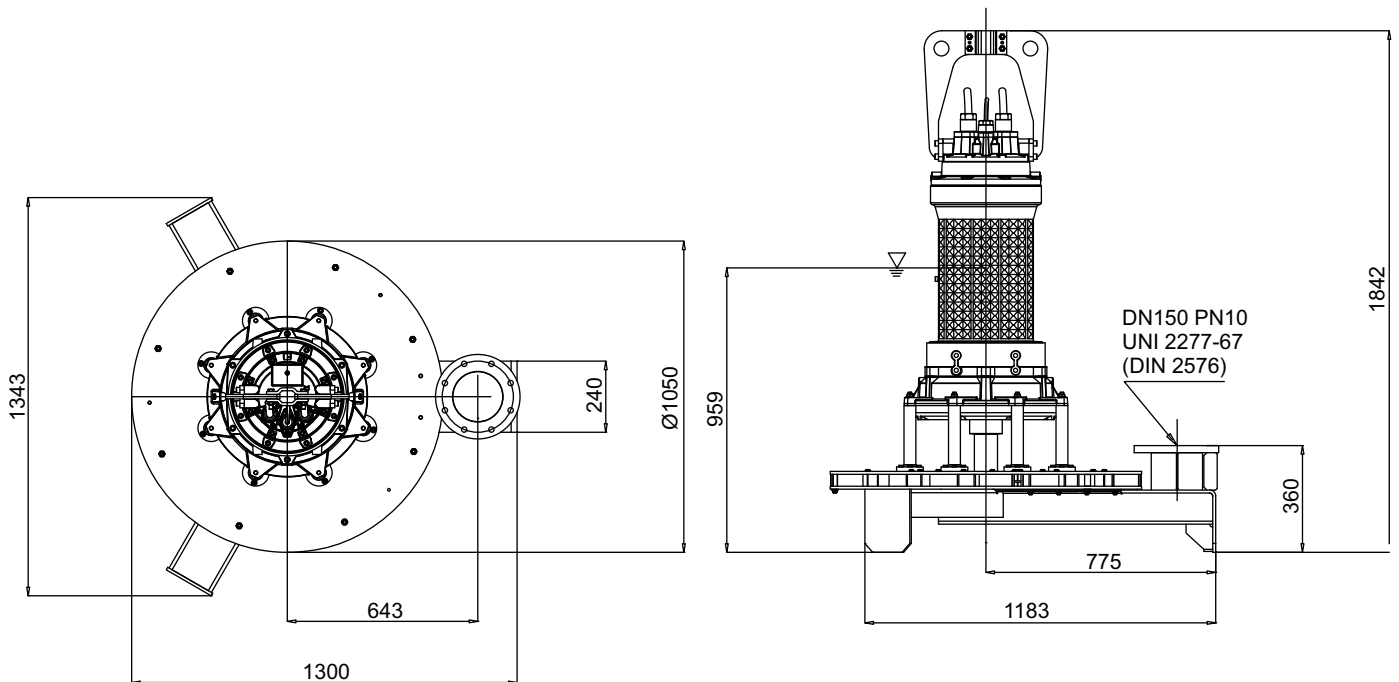
Aria Aspirata - Suction Air  
 L'air D'aspiration - Saugluft  
 Succión De Aire - Аспирированный воздух  
 $Nm^3$  a  $0^\circ C$ ,  $RH 0\%$ ,  $p = 101,3 kPa$



Battente idraulico - Hydraulic head - Charge hydraulique - Hydraulischen Belastung  
 Cabezal hidráulico - Гидронапор

Code	5009663
Type	<b>AJ500G425R550SA</b>
Suction (mm)	DN150
Free passage (mm)	40x50
Immersion depth (m)	3-8
Motor type	M425T-55,1-400/50YY-IE3
Power supply	3ph 400/690V-50Hz
MOTOR Rotation speed R.P.M.	1455
Rated power P2 (kW)	55,1
Rated current I (A)	93
Starting current Is (A)	549
Weight (Kg)	890
Cable	H07RN/F 2x4G25+4G2,5
SOTR OBTAINED FOLLOWING STANDARD UNI EN 12255-15:2004	

### Dimensioni - Dimensions - Dimensions - Abmessungen - Dimensiones - Габариты (mm)



LIVELLO MINIMO DI SOMMERGIBILITÀ - MINIMUM SUBMERSIBLE LEVEL - NIVEAU MINIMUM D'IMMERSION  
 MINDESTWASSERSTAND - NIVEL SUMERGIBLE MÍNIMO - МИНИМАЛЬНАЯ ГЛУБИНА ПОГРУЖЕНИЯ