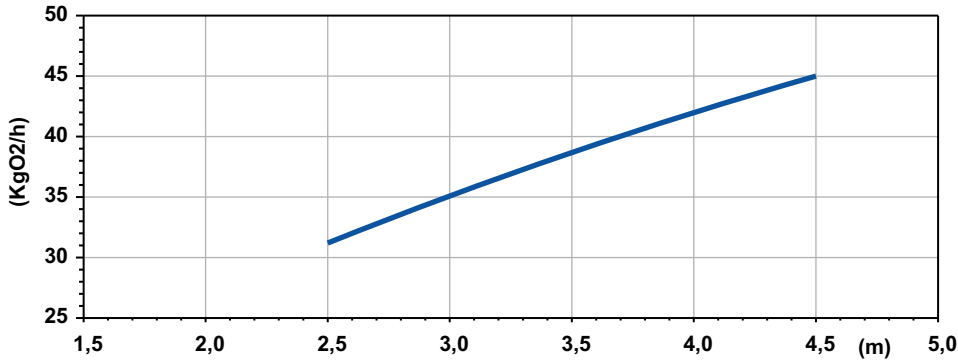
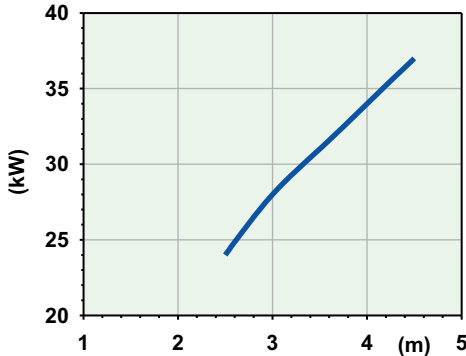


**AJ400G418R370SA**

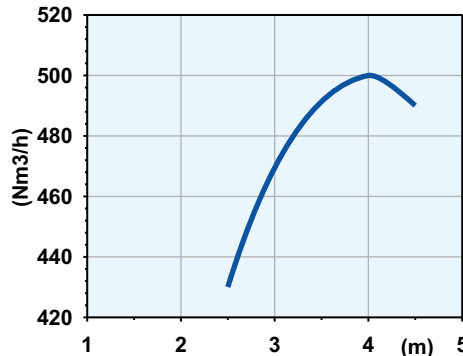
**SOTR**



Potenza Assorbita - Absorbed Power P1  
 Puissance Absorbée - Leistungsaufnahme P1  
 Potencia Absorbida - Поглощенная мощность P1



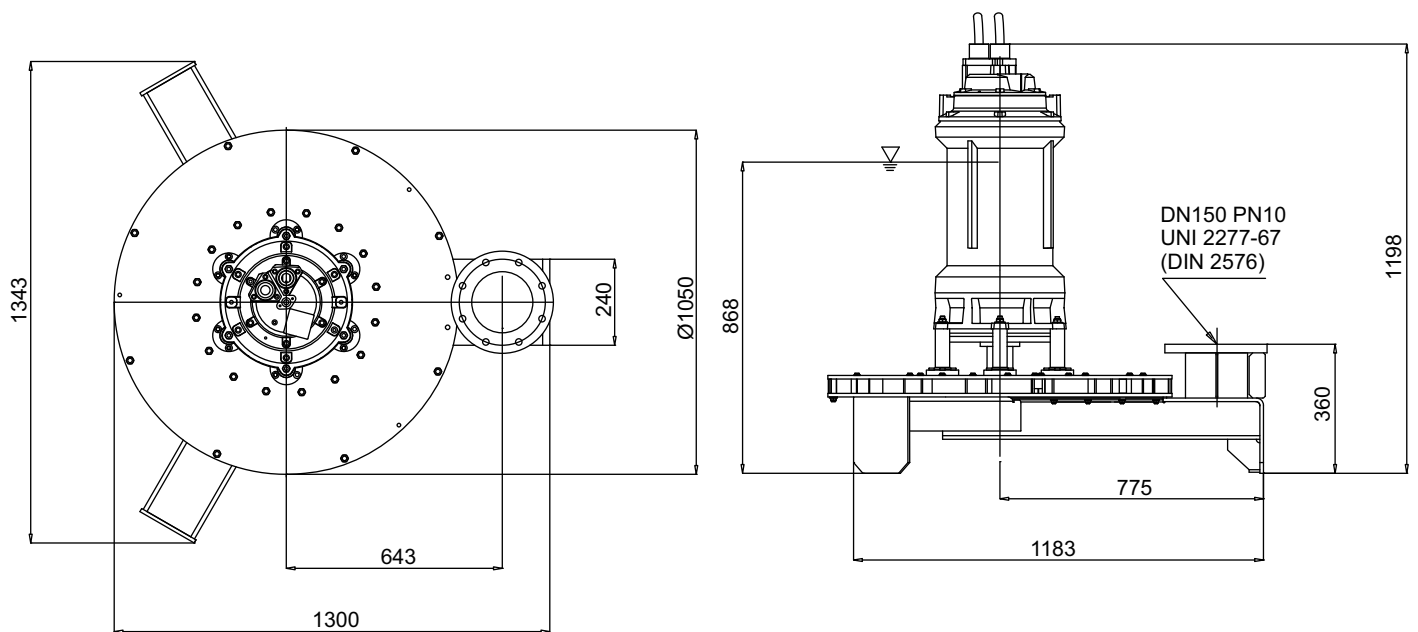
Aria Aspirata - Suction Air  
 L'air D'aspiration - Saugluft  
 Succión De Aire - Аспирированный воздух  
 Nm<sup>3</sup> a 0 °C, RH 0 %, p = 101,3 kPa



Battente idraulico - Hydraulic head - Charge hydraulique - Hydraulischen Belastung  
 Cabezal hidráulico - Гидронапор

Code	5009660
Type	<b>AJ400G418R370SA</b>
Suction (mm)	DN150
Free passage (mm)	40x50
Immersion depth (m)	2,5-4,5
Motor type	M418T-41-400/50YY-IE3
Power supply	3ph 400/690V-50Hz
MOTOR Rotation speed R.P.M.	1450
Rated power P2 (kW)	41
Rated current I (A)	73,1
Starting current Is (A)	431
Weight (Kg)	630
Cable	H07RN/F 2x4G10+4G2,5
SOTR OBTAINED FOLLOWING STANDARD UNI EN 12255-15:2004	

**Dimensioni - Dimensions - Dimensions - Abmessungen - Dimensiones - Габариты (mm)**



LIVELLO MINIMO DI SOMMERGIBILITÀ - MINIMUM SUBMERSIBLE LEVEL - NIVEAU MINIMUM D'IMMERSION  
 MINDESTWASSERSTAND - NIVEL SUMERGIBLE MÍNIMO - МИНИМАЛЬНАЯ ГЛУБИНА ПОГРУЖЕНИЯ