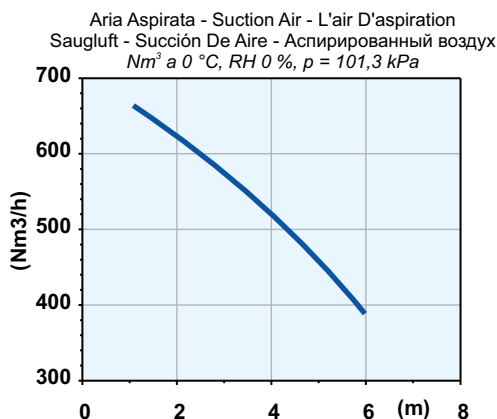
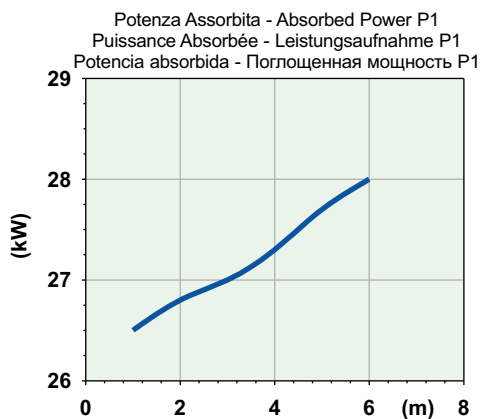
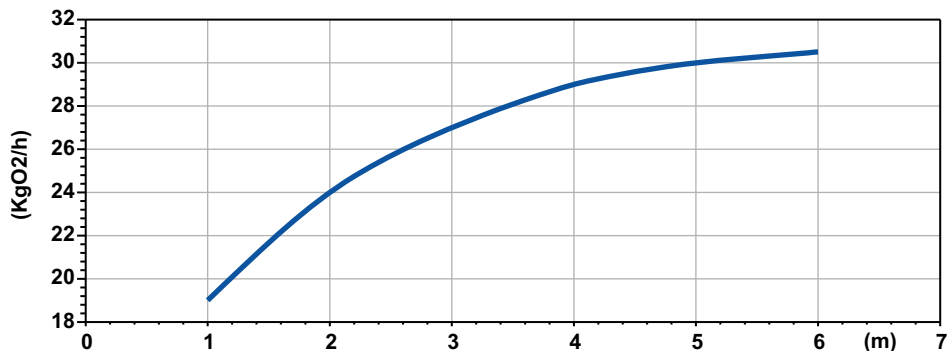


SOTR

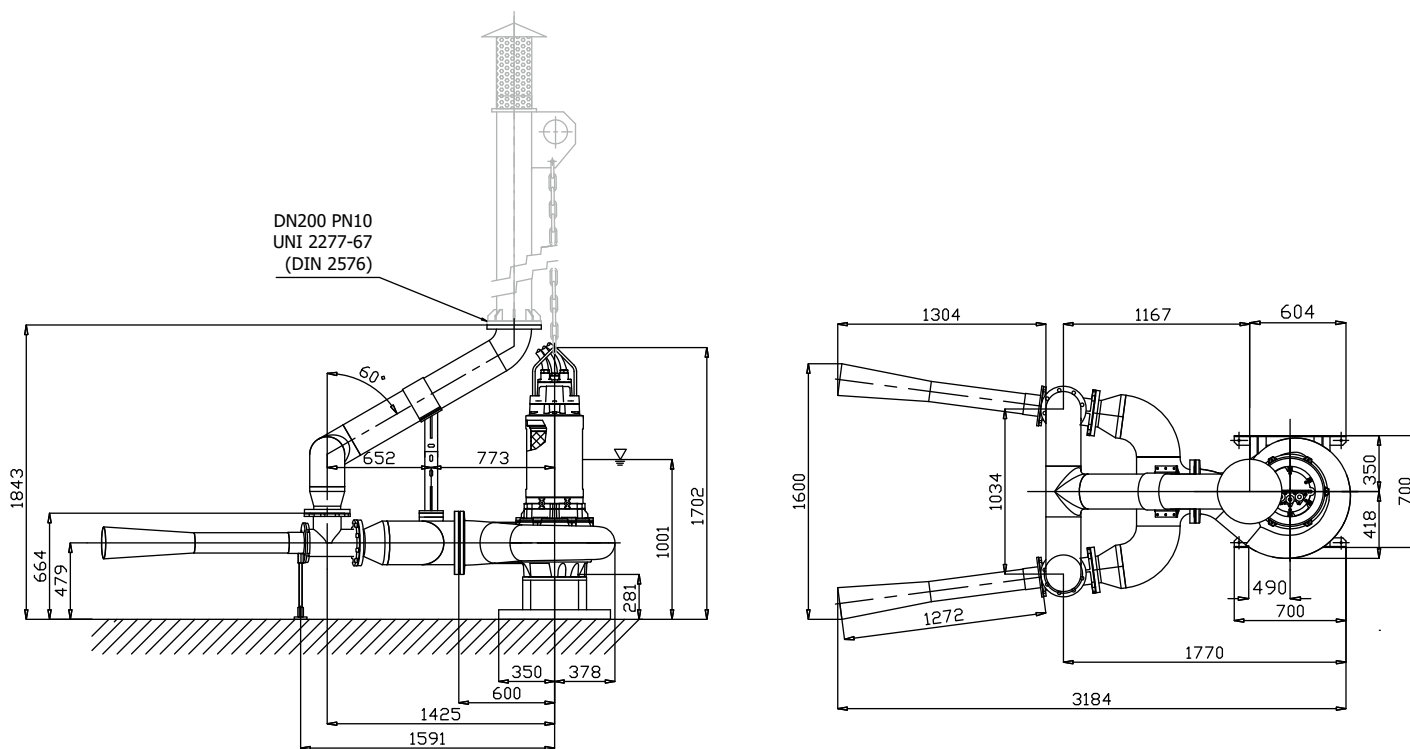


Battente idraulico - *Hydraulic head* - Charge hydraulique - *Hydraulischen Belastung*
 Cabezal hidráulico - *Аспирированный воздух*

OJ 2290-250

Code	4004883
Type	OJ2290-250
Rated Power P2 (kW)	29
Rated Current I (A)	52,8
Starting Current Is (A)	311
Pump type	G618R3C3-V105AA2
Power supply	3ph 400/690V 50Hz
R.P.M.	960
Free passage (mm)	105
Suction (mm)	DN 250
Weight (Kg)	1020
Cable	H07RN/F 2x4G10+4G2,5
SOTR OBTAINED FOLLOWING STANDARD UNI EN 12255-15:2004	

Dimensioni - Dimensions - Dimensions - Abmessungen - Dimensiones - Габариты (mm)



LIVELLO MINIMO DI SOMMERGIBILITÀ - *MINIMUM SUBMERSIBLE LEVEL* - NIVEAU MINIMUM D'IMMERSION
 MINDESTWASSERSTAND - *NIVEL SUMERGIBLE MÍNIMO* - МИНИМАЛЬНАЯ ГЛУБИНА ПОГРУЖЕНИЯ

