



## SELF-PRIMING CENTRIFUGAL PUMPS - CNH Series CNH



HYGIENE



BIOTECHNOLOGY



INDUSTRIAL

*The CNH series is made up of single-stage centrifugal pumps with self-priming device, axial suction port, open centrifugal impeller and independent shaft.*

*The self-priming device is made up of a helical rotor installed in front of the impeller and a rotor chamber which is off-centre in relation to the axis of the centrifugal stage.*

*The series is made up of range of 2 models with open impeller, independent shaft and standard IEC motor.*

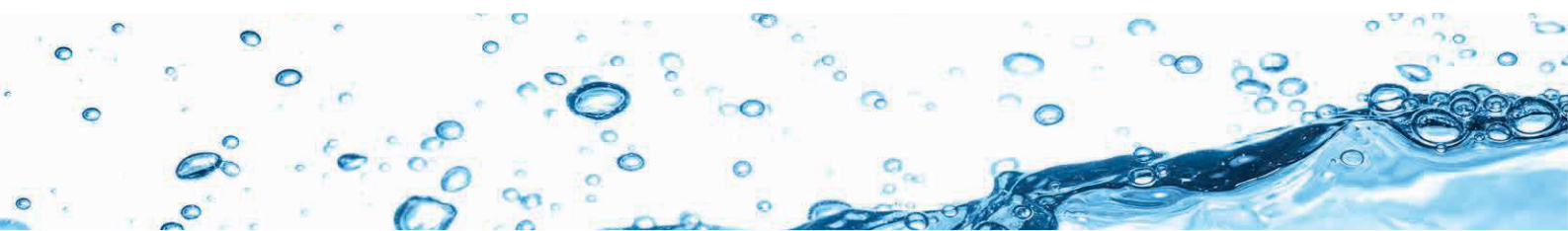
*Mixed construction: pressed/cast stainless steel - AISI 316L (1.4404) - CF3M (1.4409).*

*Investment casting and electrochemical polishing treatment guarantee excellent levels of surface finish.*



*The pump incorporates a self-priming device which gives the centrifugal pump its suction capacity; this component guarantees continuous pump operation in applications handling biphasic fluids.*

*CNH self-priming centrifugal pumps can be used in industrial applications, for example in the food, dairy and beverage sectors, for tank emptying operations, CIP solution recirculation and for handling liquids with a high air content.*

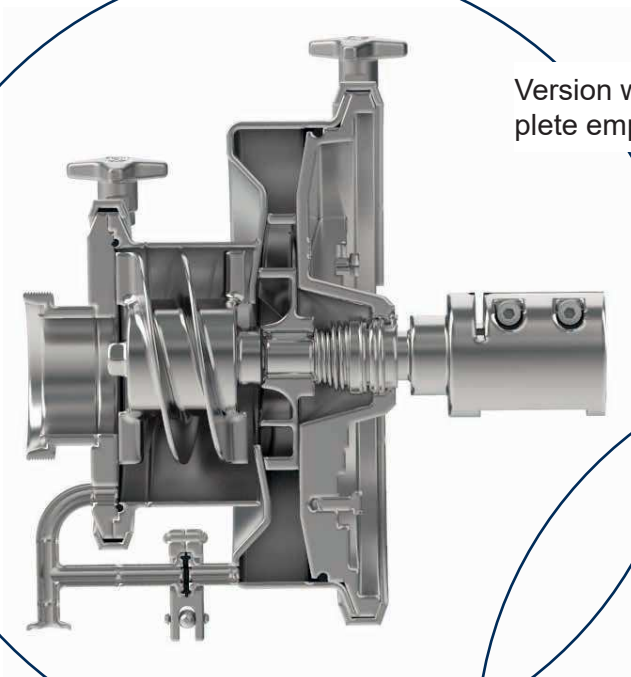


Close-coupled construction made entirely from stainless steel with standard motor, shaft with compression locking, internal seal and open impeller based on CN series pumps.



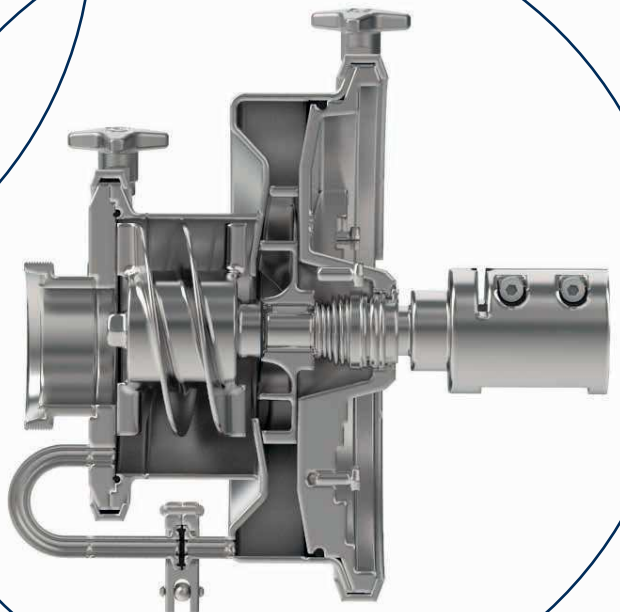
The clamp casing and seal design allows quick disassembly for inspection, cleaning and maintenance. It also enables the delivery port to be rotated to any position for easy installation. Protective motor shroud

Series of pumps available in two different versions of liquid recirculation:



Version with drainage feature guarantees complete emptying of the pump;

Version without drainage.







**C.S.F. Inox S.p.A.** Strada per Bibbiano, 7 - 42027 Montecchio E. (RE) - ITALY EU

Ph +39.0522.869911 r.a. - Fx +39.0522.865454 - italia@csf.it - www.csf.it

**Export Department • Commercial Étranger • Comercial Extranjero**

Ph +39.0522.869922 - Fx +39.0522.869841 - export@csf.it - www.csf.it



All the instructions, data and representations (in whatever way executed) listed in this publication are indicative and do not bind. C.S.F. does not stand surety or undertake any obligation for the utilisation of this document and for the information contained. In particular, it does not guarantee against omissions or errors of the data and drawings here indicated. Notice that the technical specifications, information and representations in this document are merely indicative and approximate. C.S.F. INOX reserves the right at any moment and without notice to modify the data, drawings and information indicated in this document.