

Tender Text



Note! Product picture may differ from actual product

Product No.: [52021295](#)

UP 40-50 F 250

The pump is of the canned rotor type, i.e. pump and motor form an integral unit without shaft seal and with only two gaskets for sealing.

The bearings are lubricated by the pumped liquid.

The pump is characterized by:

- * Ceramic shaft and radial bearings.
- * Carbon axial bearing.
- * Stainless steel rotor can and bearing plate.
- * Corrosion-resistant impeller, Composite, PES/PP.
- * Cast iron pump housing.

The motor is a 3-phase motor.

The motor requires external motor protection.

Liquid:

Pumped liquid: Water
Liquid temperature range: -25 .. 110 °C
Liquid temperature during operation: 60 °C
Density: 983.2 kg/m³

Technical:

TF class: 110
Approvals on nameplate: CE

Materials:

Pump housing: Cast iron
EN-JL1030
ASTM 30 B
Impeller: Composite, PES/PP

Installation:

Amb. max at 80 dgr C liquid: 80 °C
Maximum operating pressure: 10 bar
Flange standard: DIN
Pipe connection: DN 40
Pressure stage: PN 6 / PN 10
Port-to-port length: 250 mm

Electrical data:

Max. power input: 130 W
Mains frequency: 50 Hz



Company name:

Created by:

Phone:


Date:

06/10/2017

Rated voltage: 3 x 415 V
Current in speed 3: 0.29 A
Enclosure class (IEC 34-5): IP42
Insulation class (IEC 85): F

Others:

Net weight: 8.3 kg
Gross weight: 8.7 kg
Shipping volume: 0.012 m³

Position	Qty.	Description
	1	<p>UP 40-50 F 250</p>  <p style="text-align: center;">Note! Product picture may differ from actual product</p> <p>Product No.: 52021295</p> <p>The pump is of the canned rotor type, i.e. pump and motor form an integral unit without shaft seal and with only two gaskets for sealing. The bearings are lubricated by the pumped liquid. The pump is characterized by:</p> <ul style="list-style-type: none"> * Ceramic shaft and radial bearings. * Carbon axial bearing. * Stainless steel rotor can and bearing plate. * Corrosion-resistant impeller, Composite, PES/PP. * Cast iron pump housing. <p>The motor is a 3-phase motor. The motor requires external motor protection.</p> <p>Liquid: Pumped liquid: Water Liquid temperature range: -25 .. 110 °C Liquid temperature during operation: 60 °C Density: 983.2 kg/m³</p> <p>Technical: TF class: 110 Approvals on nameplate: CE</p> <p>Materials: Pump housing: Cast iron EN-JL1030 ASTM 30 B Impeller: Composite, PES/PP</p> <p>Installation: Amb. max at 80 dgr C liquid: 80 °C Maximum operating pressure: 10 bar Flange standard: DIN Pipe connection: DN 40 Pressure stage: PN 6 / PN 10 Port-to-port length: 250 mm</p> <p>Electrical data: Max. power input: 130 W Mains frequency: 50 Hz Rated voltage: 3 x 415 V Current in speed 3: 0.29 A</p>



Company name:

Created by:

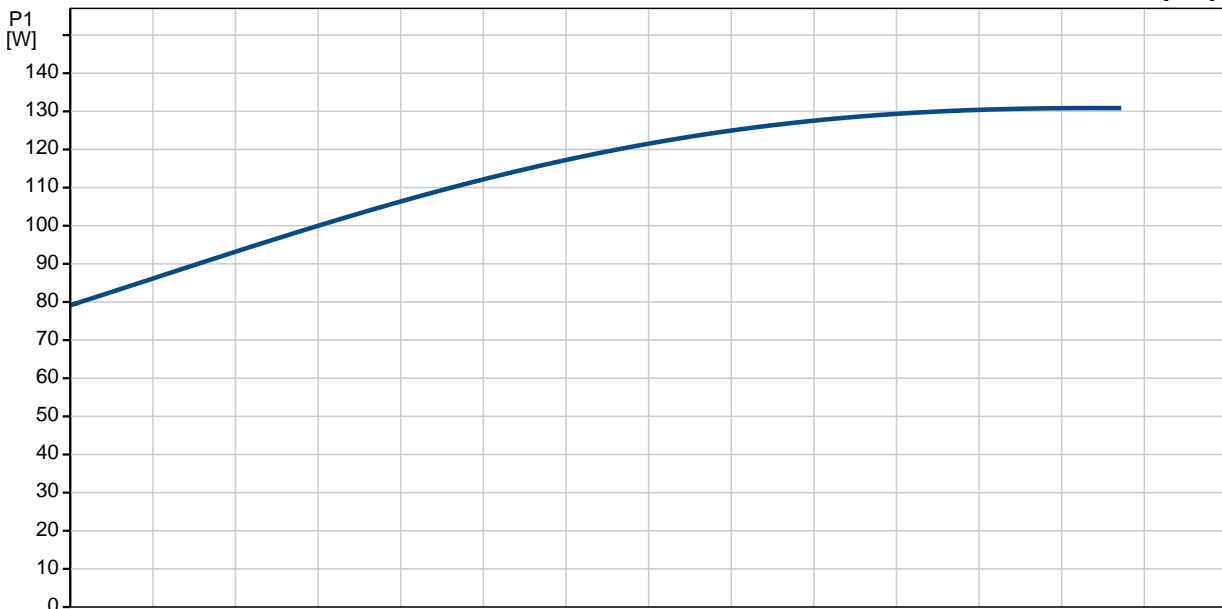
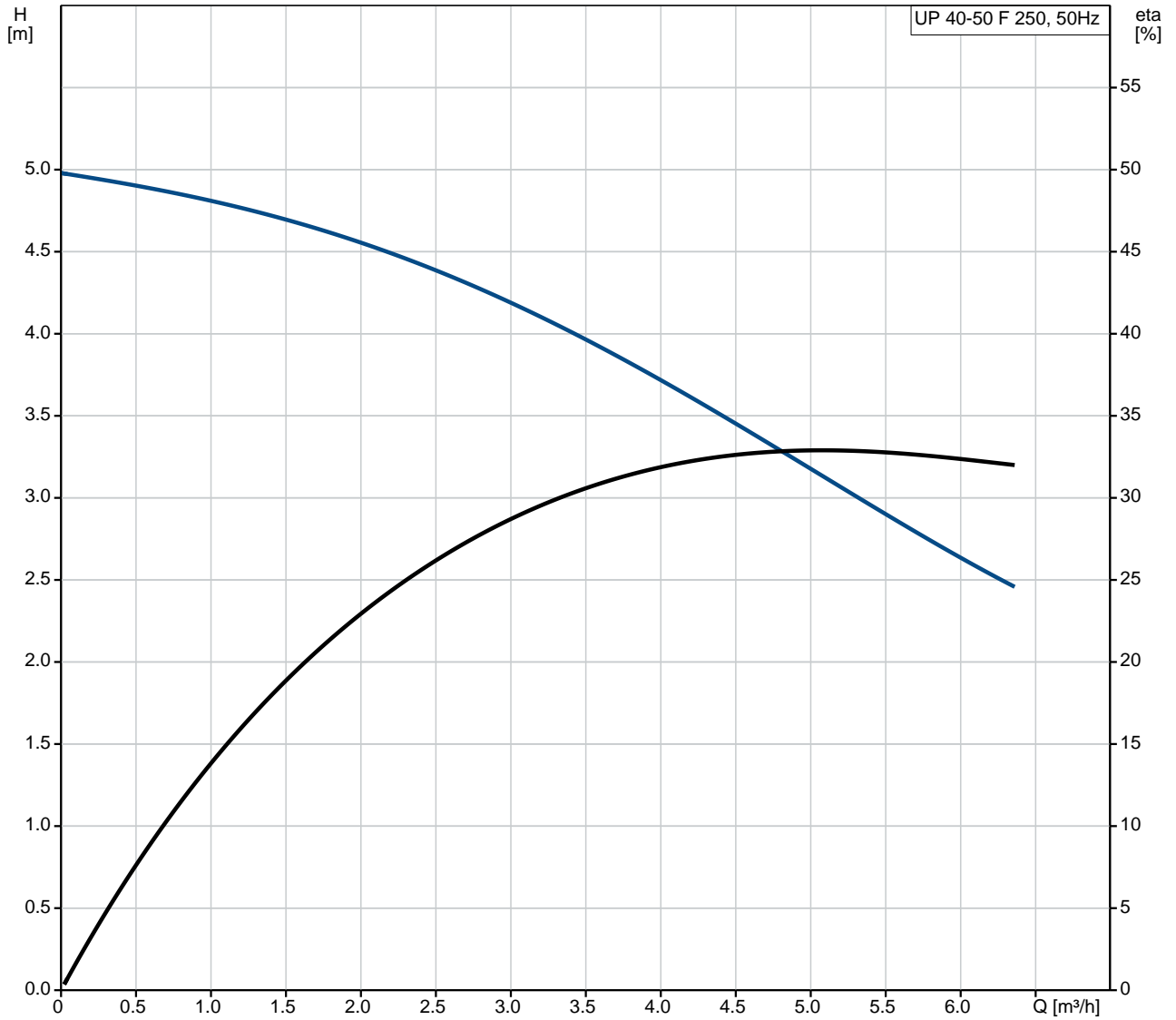
Phone:

Date:

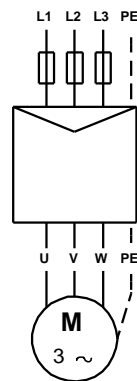
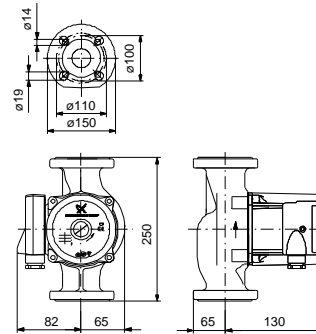
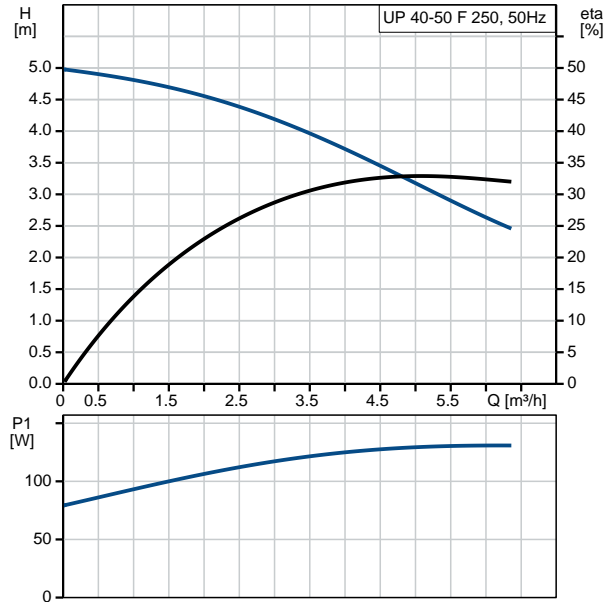
06/10/2017

Position	Qty.	Description
		Enclosure class (IEC 34-5): IP42 Insulation class (IEC 85): F
		Others: Net weight: 8.3 kg Gross weight: 8.7 kg Shipping volume: 0.012 m ³

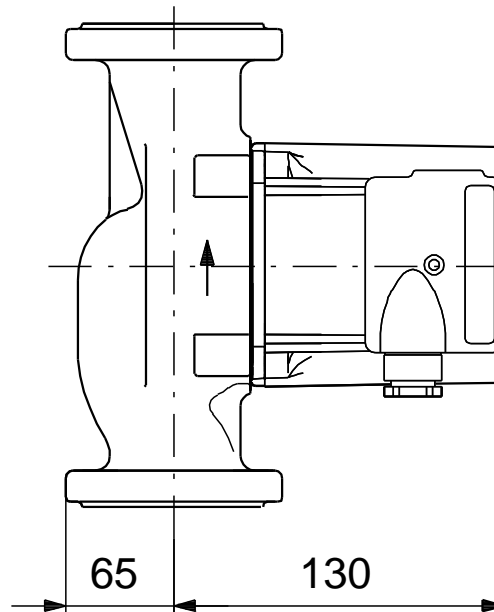
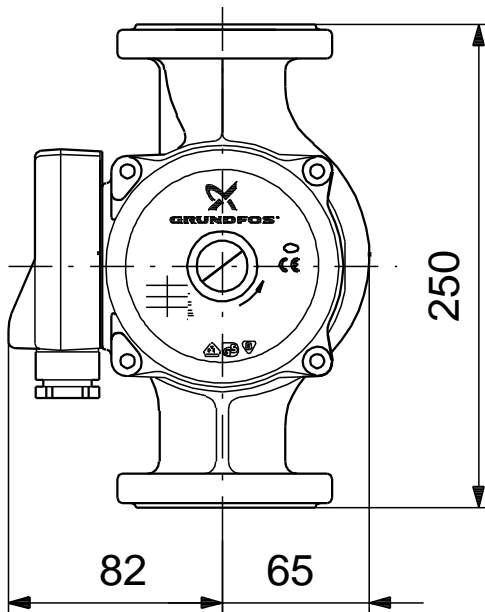
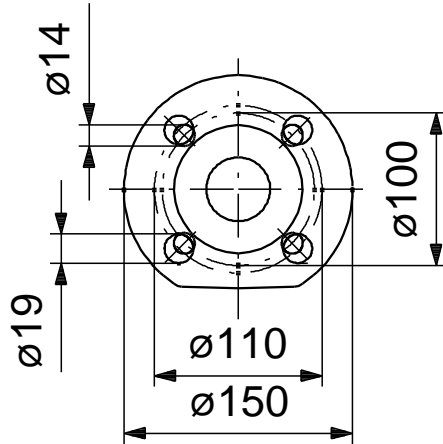
52021295 UP 40-50 F 250 50 Hz



Description	Value
General information:	
Product name:	UP 40-50 F 250
Product No:	52021295
EAN number:	5700390846206
Technical:	
Speed no:	1
Head max:	50 dm
TF class:	110
Approvals on nameplate:	CE
Materials:	
Pump housing:	Cast iron
	EN-JL1030
	ASTM 30 B
Impeller:	Composite, PES/PP
Installation:	
Amb. max at 80 dgr C liquid:	80 °C
Maximum operating pressure:	10 bar
Flange standard:	DIN
Pipe connection:	DN 40
Pressure stage:	PN 6 / PN 10
Port-to-port length:	250 mm
Fittings:	Y
Liquid:	
Pumped liquid:	Water
Liquid temperature range:	-25 .. 110 °C
Liquid temperature during operation:	60 °C
Density:	983.2 kg/m ³
Electrical data:	
Max. power input:	130 W
Mains frequency:	50 Hz
Rated voltage:	3 x 415 V
Current in speed 3:	0.29 A
Enclosure class (IEC 34-5):	IP42
Insulation class (IEC 85):	F
Motor protec:	NONE
Thermal protec:	external
Controls:	
Pos term box:	9H
Others:	
Net weight:	8.3 kg
Gross weight:	8.7 kg
Shipping volume:	0.012 m ³
Country code:	GB



52021295 UP 40-50 F 250 50 Hz



Note! All units are in [mm] unless others are stated.
Disclaimer: This simplified dimensional drawing does not show all details.