

Description

Digital peristaltic tube pump with integrated chlorine reader (ppm)

Features

- Amperometric reed with open cell.
 Open amperometric probe copper / platinum
- 3 Function modes: Constant, ON/OFF, proportional
- Alarm for temporary overdose, programmable
- Delay start programmable
- LED Alarm status and programming
- Pump body in PP
- Protection class IP 55
- Over and under measure range alarm
- Instant flow rate % visualization
- 230 VAC, 50-60 Hz
- On/off switch



Optional

- Input signal level probe
- Input for flow sensor

Materials

	Standard material	Optional
Pump body	PP	-
Roller	DELRIN	-
Tube	Santoprene	-
Power consumption	8 Watt	-
Nuts	PP M10	-
Fittings	PP tubo 4 x 6	-
Probe connection	BNC	-
Foot filter	Lip valve	Ball valve
Suction tube	PVC 4 x 6	PVDF
Delivery tube	PE 4 x 6	PVDF

Technical data

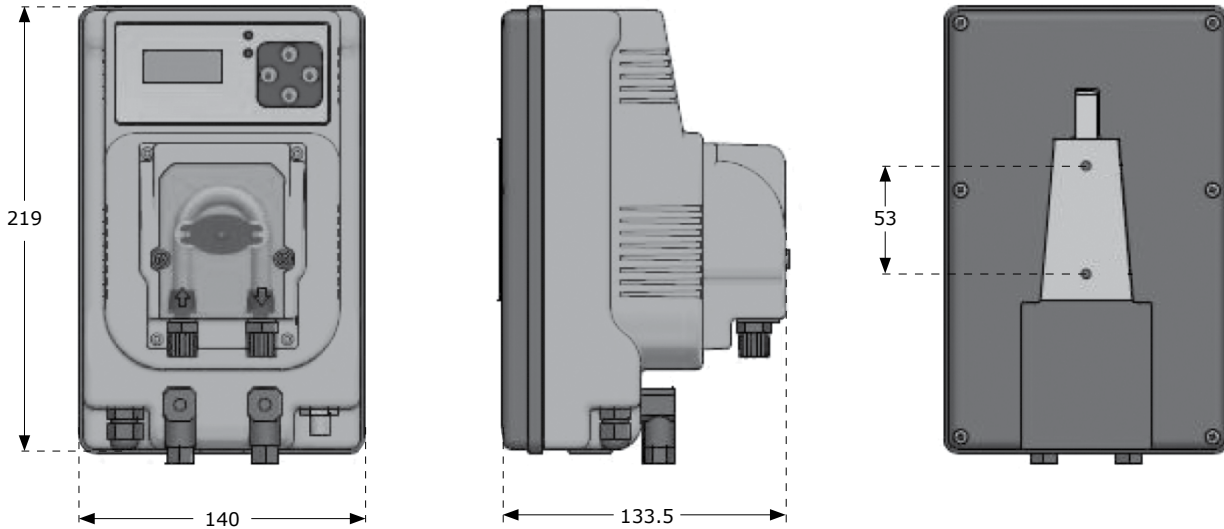
	Max l/h	Pressure bar	Max cc	Max operating temperature °C	Ø int x ext mm	Pump body material	Power c Watt	rpm	Weight kg
1.5-01	1.5	1	25	65	5.8 x 9.3	PP	8	10	1.8
03-01	3	1	50	65	5.8 x 9.3	PP	8	20	1.8
06-01	6	1	100	65	5.8 x 9.3	PP	8	40	1.8

Verderflex

VP PRO CL peristaltic chlorine dosing pump

Dimensions

(in mm)



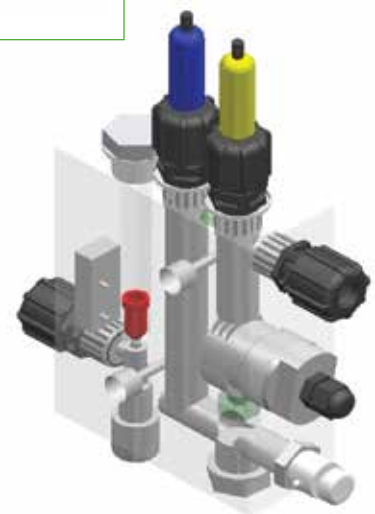
Standard installation kit

1/2" PP-VL-VT Talco Lip	Foot Filter PP-VL-VT	Suction tube 2 m PVC 4x6	Delivery tube 2 m PE 4x6
			

Technical details hydraulic Chlorine probe

Model	PRO-CG-CL3
Scale mg/l	0÷10
Resolution	±0,01
Fluid rate	30÷40 l/h
Cable	1,5 mt
Temperature	5÷50°C
Electrode	Copper / Platinum

The chlorine probe works only correctly when a constant flow of water between 30 and 50 l / h is fed



**Find your local supplier
at www.verderdos.com**

For construction, installation and mounting drawings
please contact your local authorised Verderdos distributor.

VERDER
passion for pumps

