

## Submersible drainage pumps jacket cooled for clear water and drainage water.

### Chromatic C 225-C 290

#### Application

HOMA Chromatic pumps are submersible, jacket cooled drainage pumps for pumping water from basements, cellars, sumps and collection tanks, for pumping discharge from hand basins, showers and washing machines, for flood relief and water removal from water courses or reservoirs.

The water jacket cooled motor with the top discharge protects the motor against overheating even during sip operation.

DIN EN 12050-2: Conformity and design approved and controlled by LGA, certificate No. 0220119.

Installation: Transportable or permanent. Models with float switch control for automatic pump operation, depending on liquid level in the sump.

Pumped liquid: Clear water or drainage water containing soft solids up to 10 mm spherical clearance.

Max. liquid temperature: 35° C, short term up to 60° C.

Operation: Intermittent.

#### Design

Fully submersible, compact integrated motor-pump consisting of:

Pump: Single stage centrifugal pump with vertical discharge BSP 1 1/4". Discharge connection with integrated non-return valve.

Impeller: Open multi-channel impeller, spherical clearance 10 mm.

Motor: Fully submersible, pressure tight electric motor. Stainless steel motor housing. Insulation class F. Motor protection IP 68. Thermal sensors embedded in the motor winding (only 1 Ph-models).

Cable:

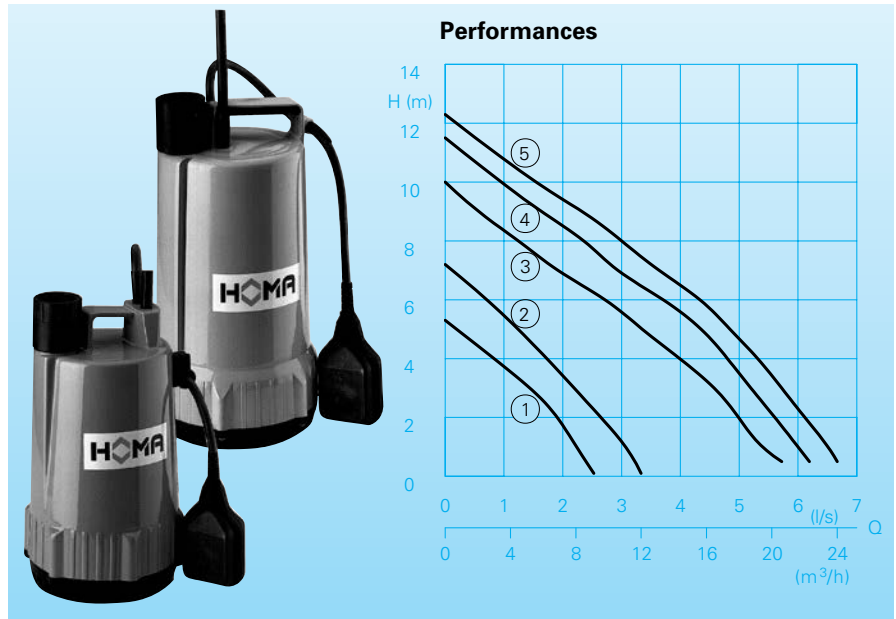
C 225/235: H05RN-F3G1

C 280, C 290 WB: H07RN-F3G1

C 290 WBA, D, DA: H07RN-F4G1

Shaft/Bearing: Large diameter stainless steel rotor shaft, pre-lubricated bearings.

Seals: C 225 and C 235 with 2 lip-seals, C 280 and C 290 with mechanical seal.



#### Technical Data

Curve No.	Pump type	Motor-input P <sub>1</sub> (kW)	Motor-output P <sub>2</sub> (kW)	Voltage 50 Hz (V)	Nominal current (A)	Cable length (m)	Weight (kg)
①	C 225 W (A)	0,25	0,13	230-240/1Ph	1,4	10 (5)	4,1
②	C 235 W (A)	0,35	0,18	230-240/1Ph	1,8	10 (5)	4,6
③	C 280 W (A)	1,00	0,76	230-240/1Ph	4,5	10	8,0
④	C 290 WB (A)	1,20	0,91	230-240/1Ph	5,0	10	8,3
⑤	C 290 D (A)	1,10	0,86	400-415/3Ph	2,0	10	8,3

Speed: 2900 rpm

Discharge: BSP 1 1/4"

Model A: With automatic level control HOMA-Nivomatik

#### Materials:

Motor housing, rotor shaft, screws	Stainless steel
Suction sieve, jacket cooling	Wear resistant synthetic material
Impeller, pressure cover	Glass-fibre, reinforced synthetic
Mechanical seals	Carbon-graphite/ceramic
Seal kit	Perbonane

#### Equipment supplied

Pump with discharge connection BSP 1 1/4" F with integrated non-return valve.

Model W(A): With cable and plug

Model WB(A): With 10 m of cable, control box W01 (WA/01) with overload protection, on-off-switch respectively manual-auto-switch and plug.

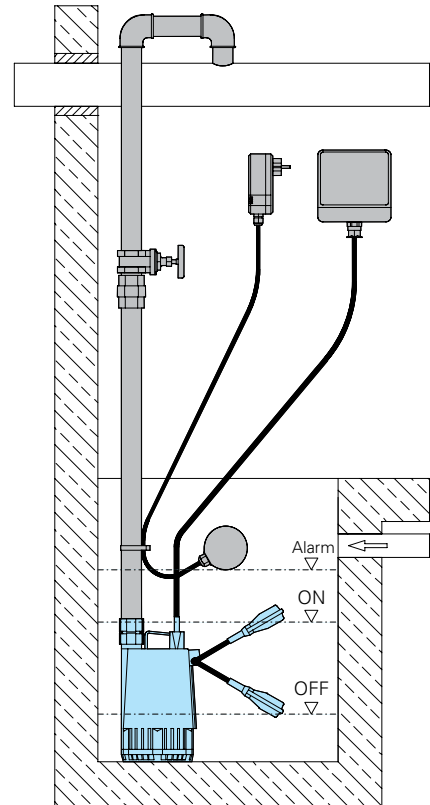
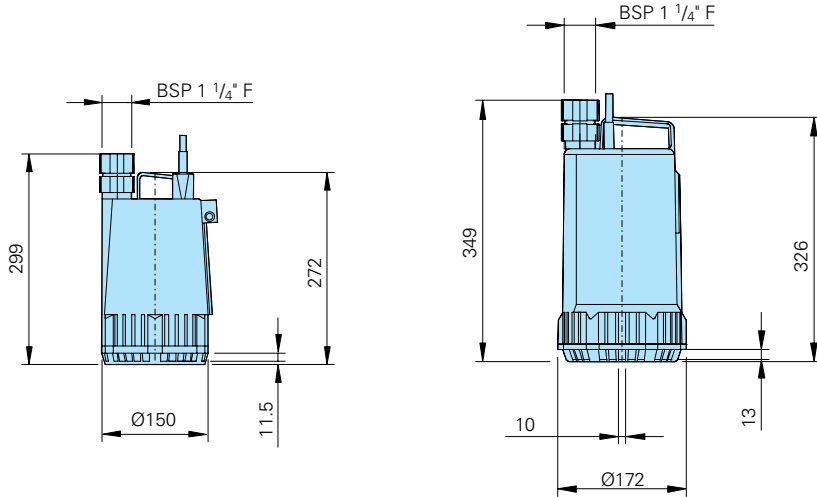
Model D(A): With 10 m of cable control box D12 (DA10/32) with motor protection, on-off-switch respectively manual-auto-switch.

Model A: With automatic level control HOMA-Nivomatik.

## Dimensions and Installations

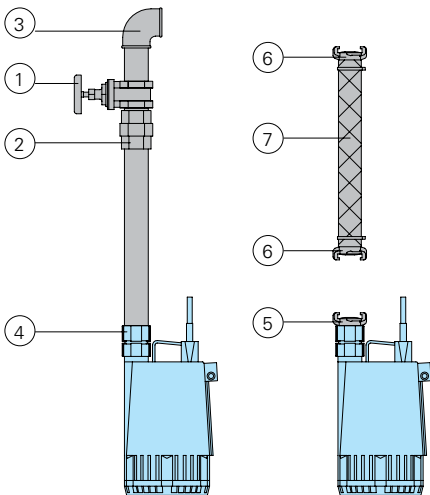
C 225, C 235

C 280, C 290



all dimensions in mm

### Accessories



Part Description	Dimension	Part. No.	Part Description	Dimension	Part. No.
① Bronze gate valve	BSP 1 1/4" F	2216012	○ HOMA-Nivomatik float switch level control, conversion unit		
② Galvanized pipe union	BSP 1 1/4" M/F	2114304	- for 230-240 V/1Ph		
③ 90° galvanized elbow	BSP 1 1/4" F	2113604	AZW 10/5	length 5 m	1435055
	BSP 1 1/4" F/M	2111405	AZW 10/10	length 10 m	1430105
T-piece for twin pump arrangement	BSP 1 1/4" F	2114301	- for 400-415 V/3Ph		
○ Bronze non-return valve (if integrated non-return valve is not fitted)	BSP 1 1/4" F	2211213	AZD 10/5	length 5 m	1912452
			AZD 10/10	length 10 m	1914452
○ Galvanized double nipple	BSP 1 1/4" M	2009011	○ HOMA 2 poles earth leakage circuit breaker		
④ Composite non-return valve	BSP 1" F x BSP 1 1/4" F	8167017	Fi 16/0,03 A		1561160
⑤ Brass fixed coupling	BSP 1 1/4" M	2005413	○ Alarm device AL 3		
⑥ Brass hose coupling	1" / 1 1/4"	2003313 / 2003413	Mains-operated with connector for battery 9V (see below) for mains-independent operation with integrated buzzer. Mains connection		
⑦ PVC hose, per m	1" Ø / 1 1/4" Ø	2621000 / 2621200	230-240 V/1Ph		1586140
Reinforced hose, per m	1" Ø / 1 1/4" Ø	2632025 / 2632030	Battery for mains-independent operation	9V	1952215
Hose band	3/4"-1" / 1 1/4"	2302330 / 2303252	Float switch MB mercury free, on or off, with integrated counter weight		
			Cable length	6 m / 10 m	1465706 / 1465710
			○ Control panel for single or twin pump station for automatic operation		On request



HOMA Pumpenfabrik GmbH  
 P.O.Box 22 63, D-53814 Neunk.-Seelscheid  
 Tel. +49 (0) 22 47/702-0, Fax +49 (0) 22 47/702-44  
 e-mail: info@homa-pumpen.de  
 www.homapumps.com