



water solutions

Data sheet

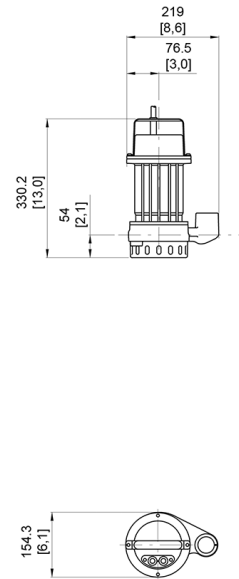
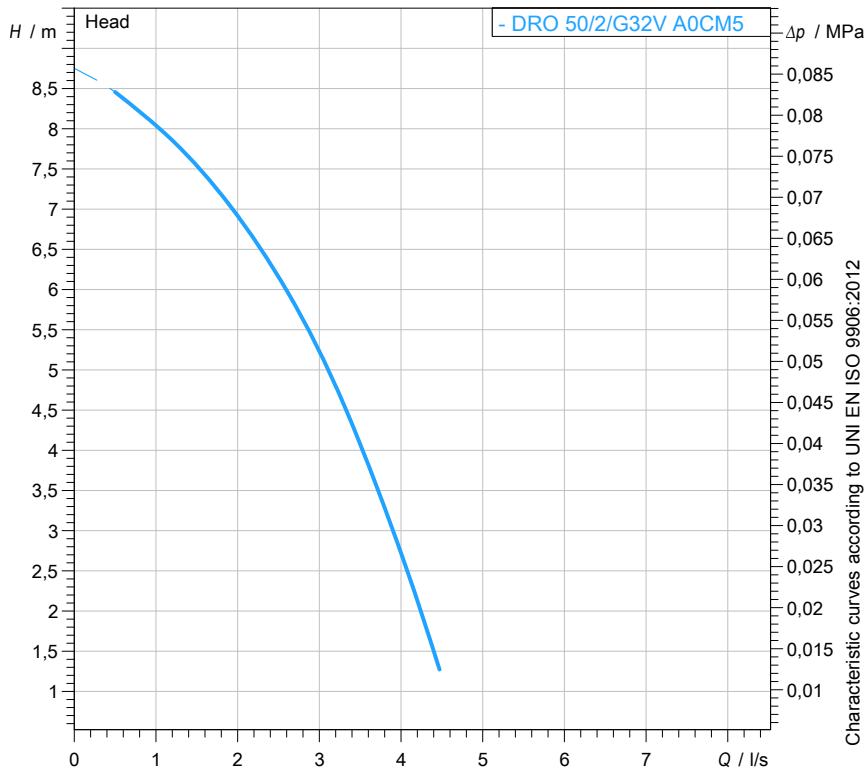
DRO 50/2/G32V A0CM5

O

series

Technical specification

1~ 50 Hz



[mm]
[inch]

Pump

| | |
|---------------|---------------------|
| Series | O series |
| Pump name | DRO 50/2/G32V A0CM5 |
| Configuration | NGTAB40523N00NN |
| Standard | EN 809:2009 |

Motor data

| | |
|----------------------|------------|
| Rated voltage | 230 V |
| Frequency | 50 Hz |
| Motor phases | 1~ |
| Number of poles | 2 |
| Rated power P2 | 0,37 kW |
| Incoming power P1 | 0,60 kW |
| Rated current | 2,9 A |
| rpm | 2820 1/min |
| Efficiency | 60,8 % |
| cos ϕ | 0,98 |
| Rated torque | 1,3 Nm |
| Start | |
| Degree of protection | IP 68 |
| Insulation class | F |

Hydraulic

| | |
|-----------------|-------------------------|
| Type | DR (Multi-channel open) |
| Free passage | 15 mm |
| Impeller type | Multi channel impeller |
| Discharge | G 1" 1/4 - |
| Curve tolerance | UNI EN ISO 9906:2012 |

Operating limits (standard pumps)

| | |
|---|------------------------|
| Max. ambient temperature | 40 °C |
| Max. density treated liquid | 1100 kg/m ³ |
| Max. immersion depth | 20 m |
| pH treated liquid | 6 ÷ 14 |
| Max. start per hour (equally distributed) | 30 |
| Wet/dry use | WET |
| Max. acoustic pressure level | 70 dB |
| Operating mode | S1 - Continuous use |

Construction materials

| | |
|------------------|-------------------------------|
| Case | Cast iron EN-GJL 250 |
| Shaft | Stainless steel - AISI 420 |
| Hydraulic | Cast iron EN-GJL 250 |
| Impeller | Cast iron EN-GJL 250 |
| Painting/Coating | Bi-epoxy 80 μ m |
| Screws | Stainless steel - Class A2-70 |
| Gaskets | NBR |
| Strainer | Stainless steel - AISI 304 |

Construction features

| | |
|---------------------|---|
| Cooling system | No cooling jacket |
| Main cable | 4G1 |
| Control cable | - |
| Cable length | 5 mt |
| Mechanical seals | 1 in silicon carbide (SiC) and 1 in alumina graphite (AL) |
| Additional drilling | - |
| Weight* | 15 kg |
| Electrical variant | Thermal protection |

* cable's weight not included

Rev. 0 - 16-12-2014



water solutions

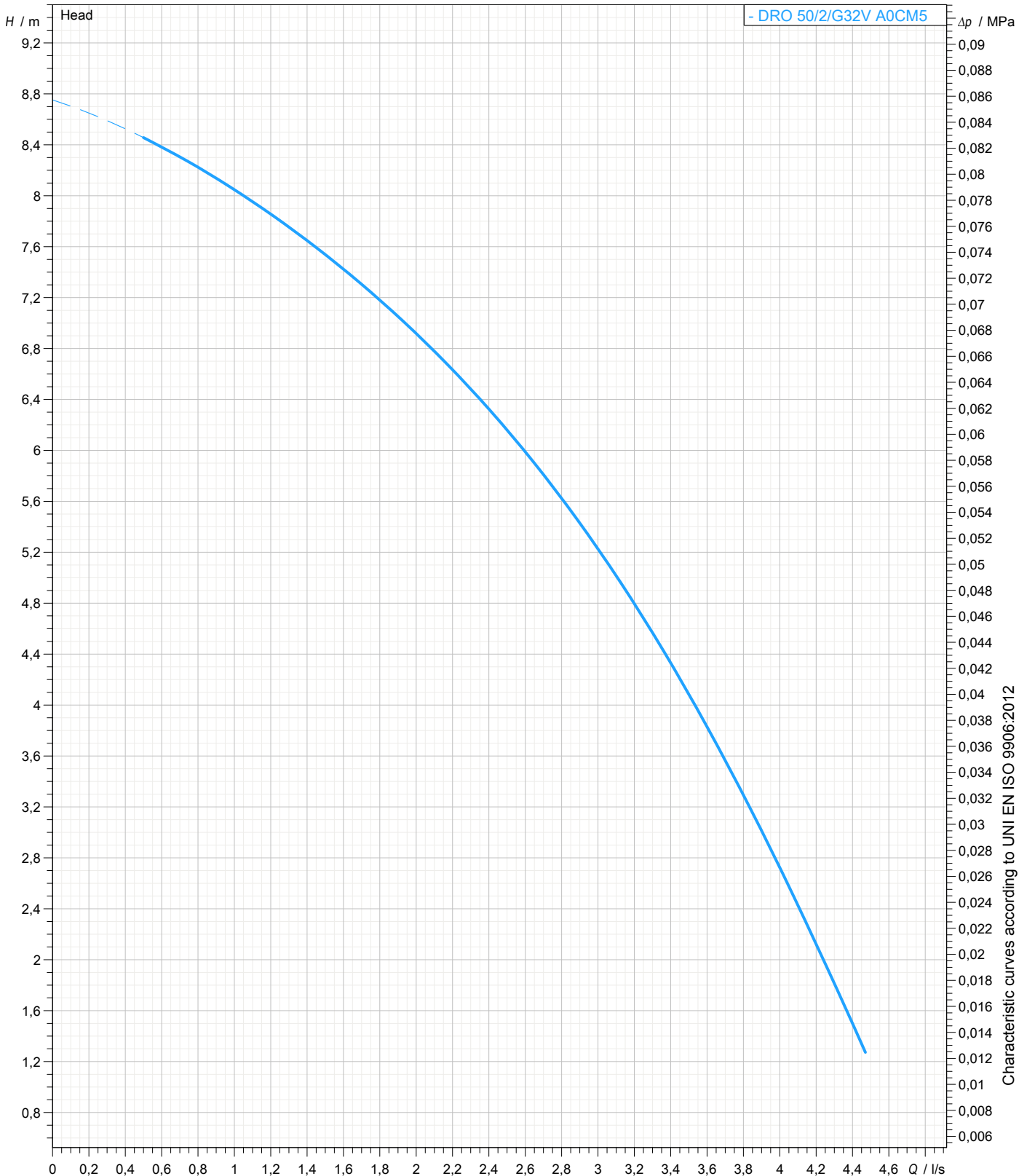
Data sheet DRO 50/2/G32V A0CM5



Pump performance curves

1~ 50 Hz

| | | | | | |
|---|---|-----------------------|-----------------------|------------------------------------|---------------------------------------|
| Hydraulic type DR (Multi-channel open) | Impeller type Multi channel impeller | Free passage 15 mm | Discharge G 1" 1/4 | Suction - | |
| DUTY POINT | | | | | |
| Flow | Head | Shaft power P2 | Hydraulic efficiency | Density 998,3 kg/m ³ | Viscosity 1,005 mm ² /s |



Characteristic curves according to UNI EN ISO 9906:2012



water solutions

Data sheet DRO 50/2/G32V A0CM5

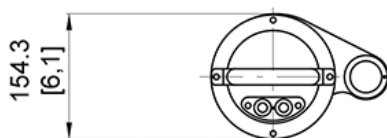
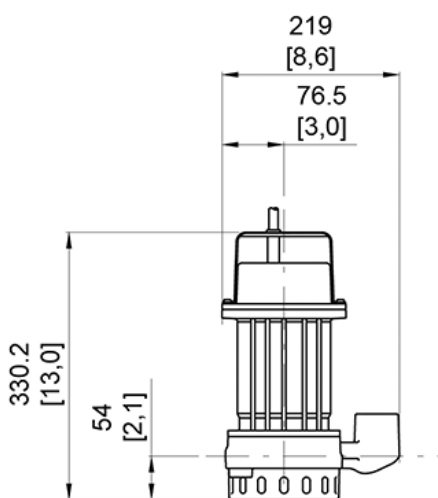
O
series

Dimensional drawing

1~ 50 Hz

Installation type Free Installation
 WET/DRY use: WET
 Discharge: G 1" 1/4 -
 Pressure rating (suction/discharge): -

Accessory * : -
 Accessory code * : -
 * Accessory must be ordered separately



L1: Minimum operating level for continuous use
 L2: Minimum operating level for discontinuous use

[mm]
[inch]