

# Verderflex

## Rollit 25



VERDERFLEX®

### Description

The Verderflex Rollit 25 is the standard pressure version of the Rollit series of liquid-lubrication-free hose pumps, designed for applications in the chemical, food, pharma, environmental and many other industries.

### Features and benefits

- Self priming and dry running capability
- Excellent solids handling i.e. ideal for abrasive media
- Gentle pumping of sensitive media
- No seal or valves
- Pumping of viscous and aggressive media
- FDA and ATEX approved

### Technical data

|                         |           |                            |         |
|-------------------------|-----------|----------------------------|---------|
| Max. flow rate          | 2200 l/hr | Max. motor power           | 0.37 kW |
| Max. pump speed         | 165 RPM   | Max. temperature of medium | 80°C *  |
| Max. discharge pressure | 2 bar     | Hose ID                    | 27 mm   |
| Max. suction lift       | 7 mWc     | Weight (including motor)   | 43.5 kg |

\* 60°C continuous use, 80°C intermittent use

### Materials

| Description  | Materials   | Paint detail                                |
|--------------|---|---|
| Pump housing | Aluminium Alloy   | RAL 6018 (green) /<br>RAL 7021 (black grey) |
| Rotor        | Aluminium Alloy   |   |
| Roller       | 3 rollers PTFE with 25% Carbon  |   |
| Base Plate   | Carbon Steel  | RAL 7021 (black grey)                       |
| Connector    | Polypropylene hose tail<br>Options:<br>316 Stainless Steel hose tail, 316 Stainless Steel BSP threaded,<br>316 Stainless Steel NPT threaded, 316 Stainless Steel BSPT BSP<br>tapered thread, screw on 316 Stainless Steel ANSI 150lb flange,<br>screw on DIN 316 Stainless Steel flange |   |
| Hose options | Natural Rubber (NR), Neoprene (CR) and Natural rubber food (FN)<br>according to FDA CFR21   |   |

### Options and accessories

- Special drive design depending on customers demands
- Mechanical or electronic adjustment of speed and flow
- Quick-coupling systems, flanges, hygienic fittings
- Pulsation dampers
- Hose monitor
- Mobile mounting available
- Special paint finishes
- Pump control systems
- Dosing systems

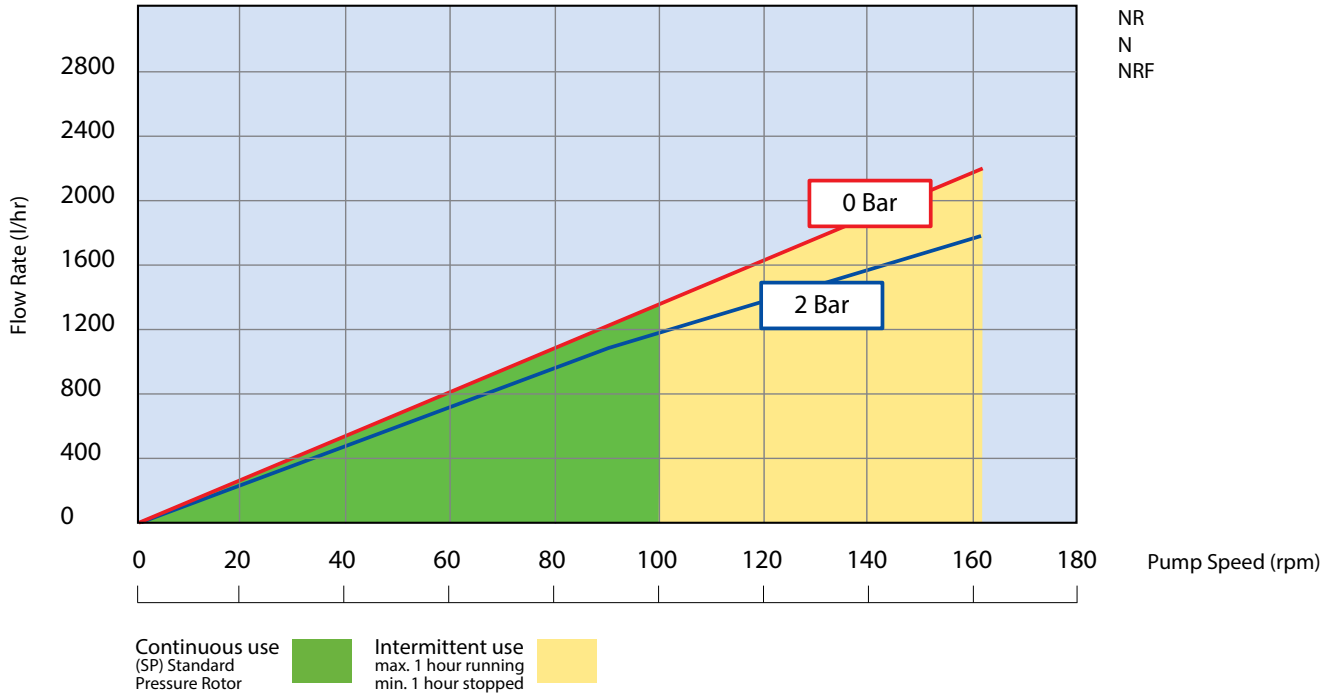


# Verderflex

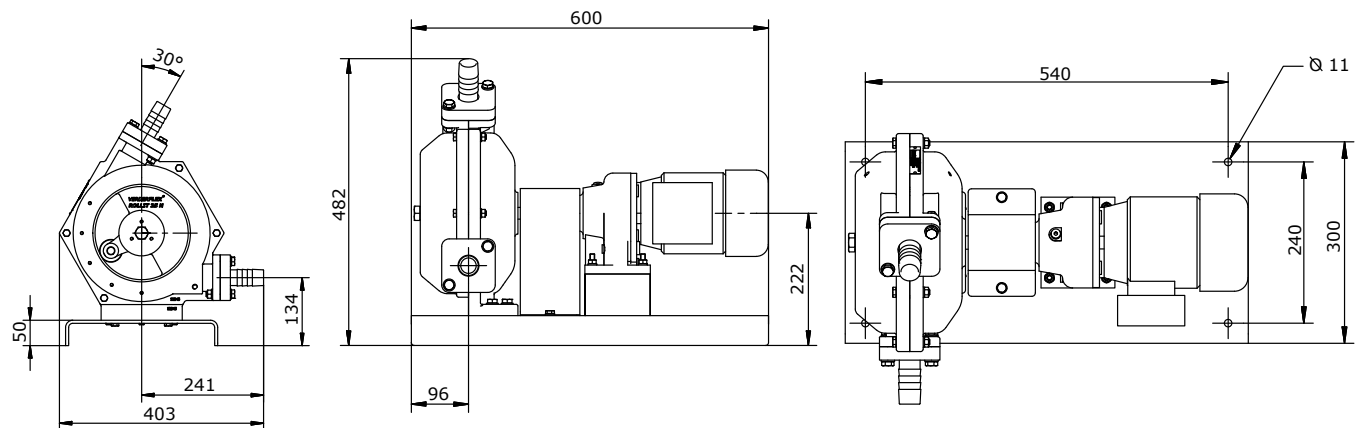
## Rollit 25



0 Bar 0.222 l/rev  
2 Bar 0.178 l/rev



Flows are typical and were measured with water at 20°C with no suction lift or discharge pressure. Actual flows will vary according to suction conditions, discharge pressure and normal component production tolerances.



All dimensions are in mm.  
All dimensions and weights are for guidance only.

Find your local supplier  
at [www.verderflex.com](http://www.verderflex.com)

For construction installation and floor mounting drawings  
please contact your local authorised Verderflex® distributor.

**VERDER**  
passion for pumps

VERDERFLEX®