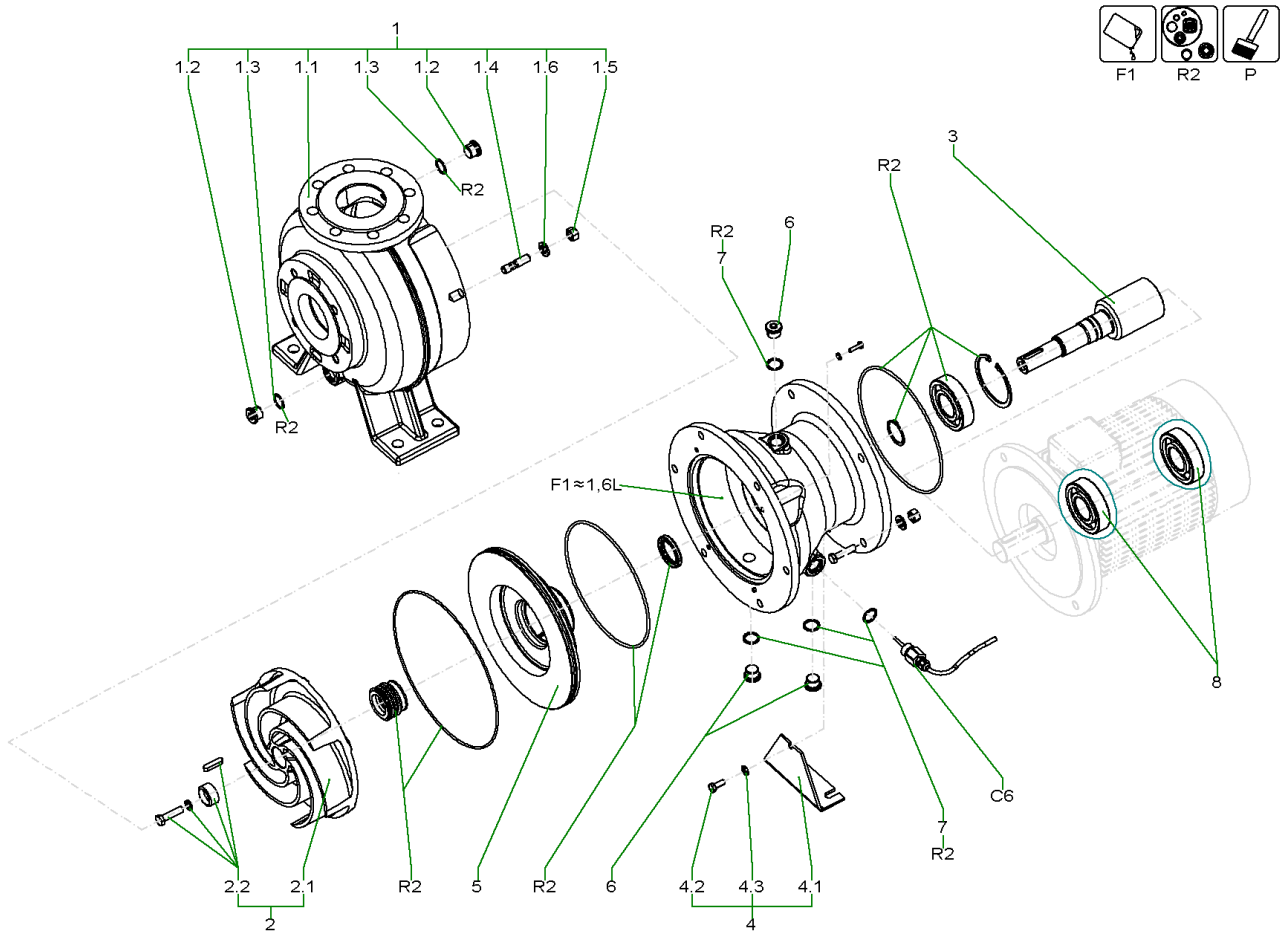


RexaBloc RE08.52W

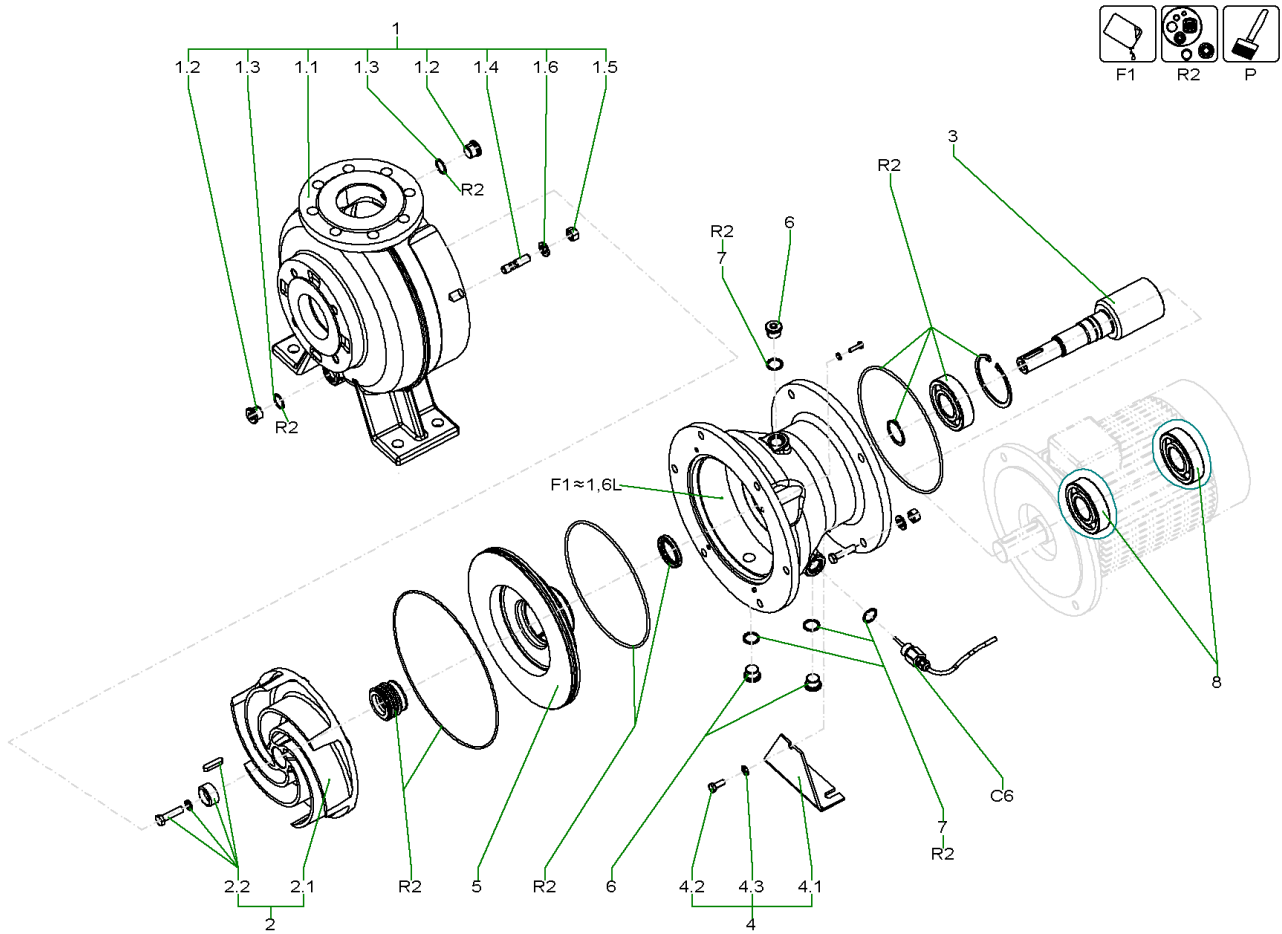
Article no.	Description
6077599	RexaBloc RE08.52W-170DAH100L4
6073228	RexaBloc RE08.52W-170DAH100L4
6077598	RexaBloc RE08.52W-200DAH112M4
6073227	RexaBloc RE08.52W-200DAH112M4
6077597	RexaBloc RE08.52W-230DAH132S4
6073226	RexaBloc RE08.52W-230DAH132S4
6077596	RexaBloc RE08.52W-250DAH132S4
6073225	RexaBloc RE08.52W-250DAH132S4
6077595	RexaBloc RE08.52W-260DAH132M4
6073224	RexaBloc RE08.52W-260DAH132M4



RexaBloc RE08.52W-170DAH100L4 (6077599)

Item	Article no.	Description	Quantity
R2	6079534	Rep.Kit 2 RE...H/ (100-132)	1
P	6042254	PAINT SPRAY Pantone334	1
F1	6025460	medical white oil 1L KIT	1
F1	6025461	medical white oil 5L KIT	1
C6	6042222	pencil electrode G1/2 10m KIT	1

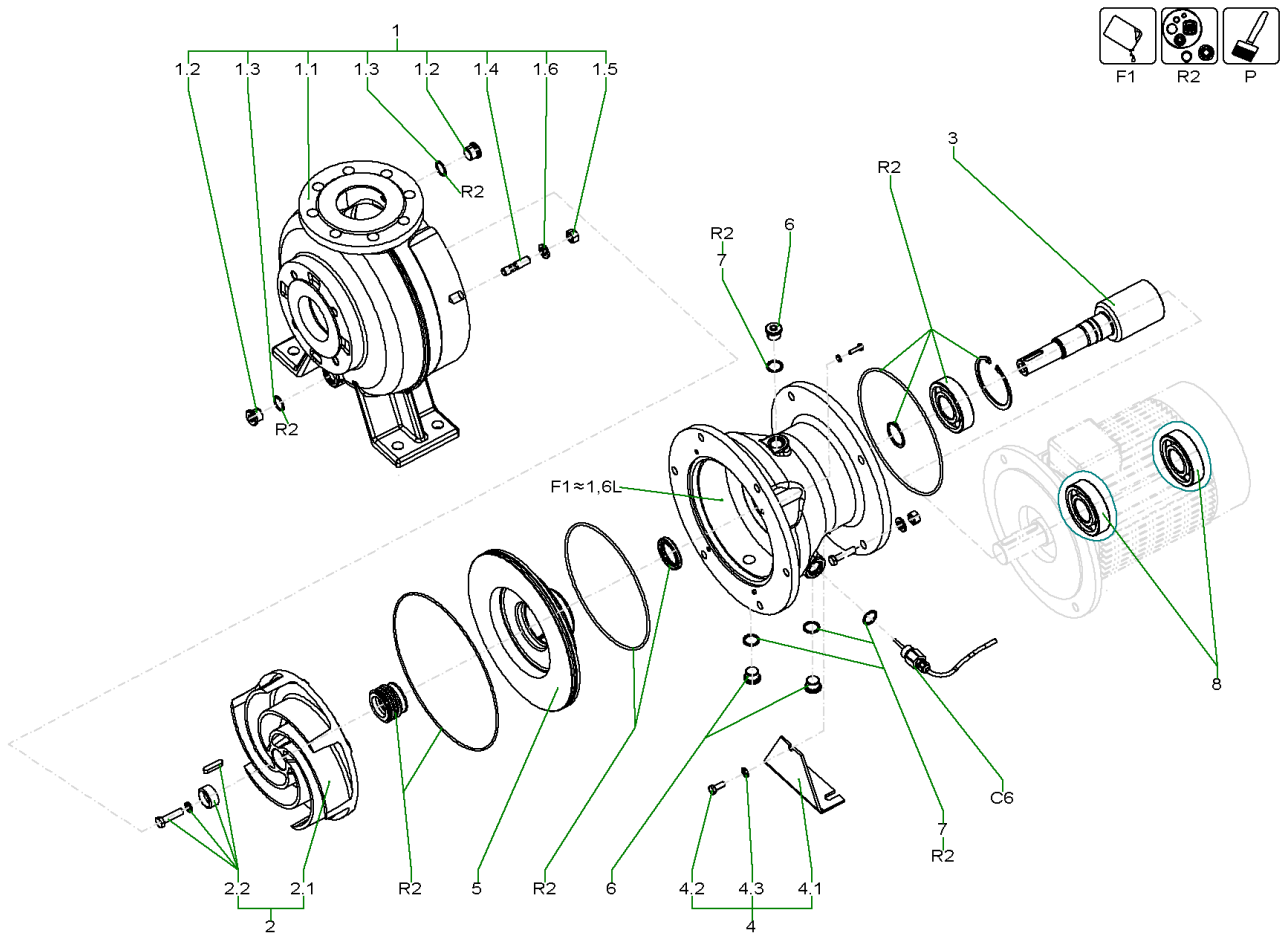
1	6220011	Pump housing RE08.52W-xxxDAH KIT	1
1.1		> pump housing Q80 6051076 GG	1
1.2		> screw plug G1/2 DIN908 A2	2
1.3		> seal ring A21/26x1,5 DIN7603 PA	2
1.4		> screw M12x35 DIN939 A2-70	6
1.5		> nut M12 DIN934 A4-80	6
1.6		> washer A13 DIN125 A4	6
2	6220021	Impeller RE08.52W-170xA KIT	1
2.1		> impeller-W D.170 6051858 GG	1
2.2		> washer D.35/11x16 55.1865 1.4021	1
2.2		> screw M10x40 DIN933 A4-70	1
2.2		> washer A10,5 DIN125 A4	1
2.2		> key A8X7X36 DIN6885 A4	1
2.2	6079538	impeller fixation 54.1865 1.4021 KIT	1
3	6220016	Pump shaft RE08xAH112/100 VP.	1
4	6220013	Support 6051105 90mm KIT	1
4.1		> Support foot 6051105 St	1
4.2		> screw M8x20 ISO4017 A4-70	1
4.3		> WASHER A8,4 DIN125 1.4401	1
5	6220012	Casing cover 6051811 GG VP.	1
6	6067638	screw plug G1/2 DIN908 A4 (3pcs)	1
7	6048832	joint ring A21/26x1,5 DIN7603 PA(10pc)	1
8	6072787	Motor bearing W 100L4(2,2kW) KIT	1



RexaBloc RE08.52W-170DAH100L4 (6073228)

Item	Article no.	Description	Quantity
R2	6079534	Rep.Kit 2 RE...H/ (100-132)	1
P	6042254	PAINT SPRAY Pantone334	1
F1	6025460	medical white oil 1L KIT	1
F1	6025461	medical white oil 5L KIT	1
C6	6042222	pencil electrode G1/2 10m KIT	1

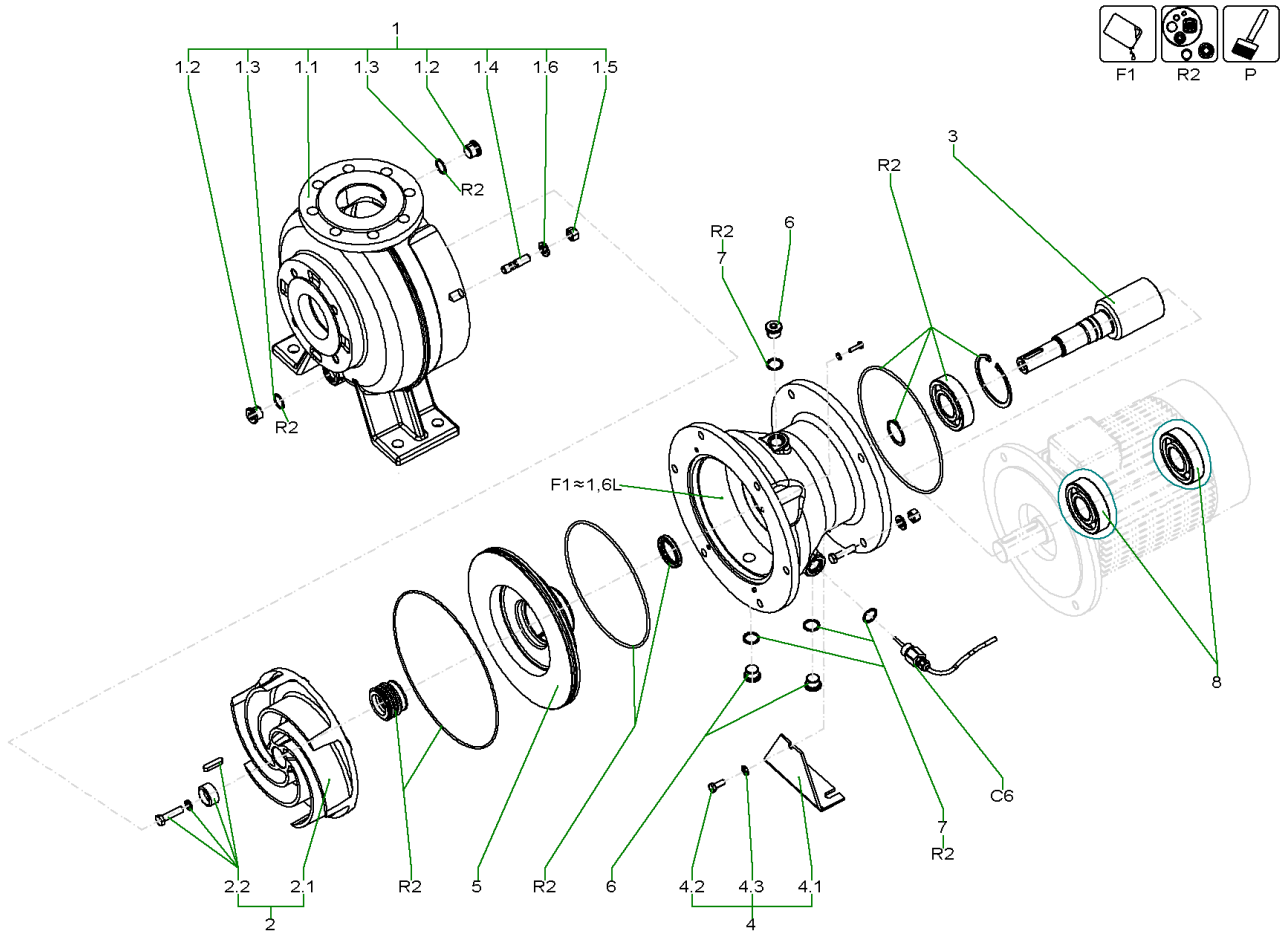
1	6220011	Pump housing RE08.52W-xxxDAH KIT	1
1.1		> pump housing Q80 6051076 GG	1
1.2		> screw plug G1/2 DIN908 A2	2
1.3		> seal ring A21/26x1,5 DIN7603 PA	2
1.4		> screw M12x35 DIN939 A2-70	6
1.5		> nut M12 DIN934 A4-80	6
1.6		> washer A13 DIN125 A4	6
2	6220021	Impeller RE08.52W-170xA KIT	1
2.1		> impeller-W D.170 6051858 GG	1
2.2		> washer D.35/11x16 55.1865 1.4021	1
2.2		> screw M10x40 DIN933 A4-70	1
2.2		> washer A10,5 DIN125 A4	1
2.2		> key A8X7X36 DIN6885 A4	1
2.2	6079538	impeller fixation 54.1865 1.4021 KIT	1
3	6220016	Pump shaft RE08xAH112/100 VP.	1
4	6220013	Support 6051105 90mm KIT	1
4.1		> Support foot 6051105 St	1
4.2		> screw M8x20 ISO4017 A4-70	1
4.3		> WASHER A8,4 DIN125 1.4401	1
5	6220012	Casing cover 6051811 GG VP.	1
6	6067638	screw plug G1/2 DIN908 A4 (3pcs)	1
7	6048832	joint ring A21/26x1,5 DIN7603 PA(10pc)	1
8	6072787	Motor bearing W 100L4(2,2kW) KIT	1



RexaBloc RE08.52W-200DAH112M4 (6077598)

Item	Article no.	Description	Quantity
R2	6079534	Rep.Kit 2 RE...H/ (100-132)	1
P	6042254	PAINT SPRAY Pantone334	1
F1	6025460	medical white oil 1L KIT	1
F1	6025461	medical white oil 5L KIT	1
C6	6042222	pencil electrode G1/2 10m KIT	1

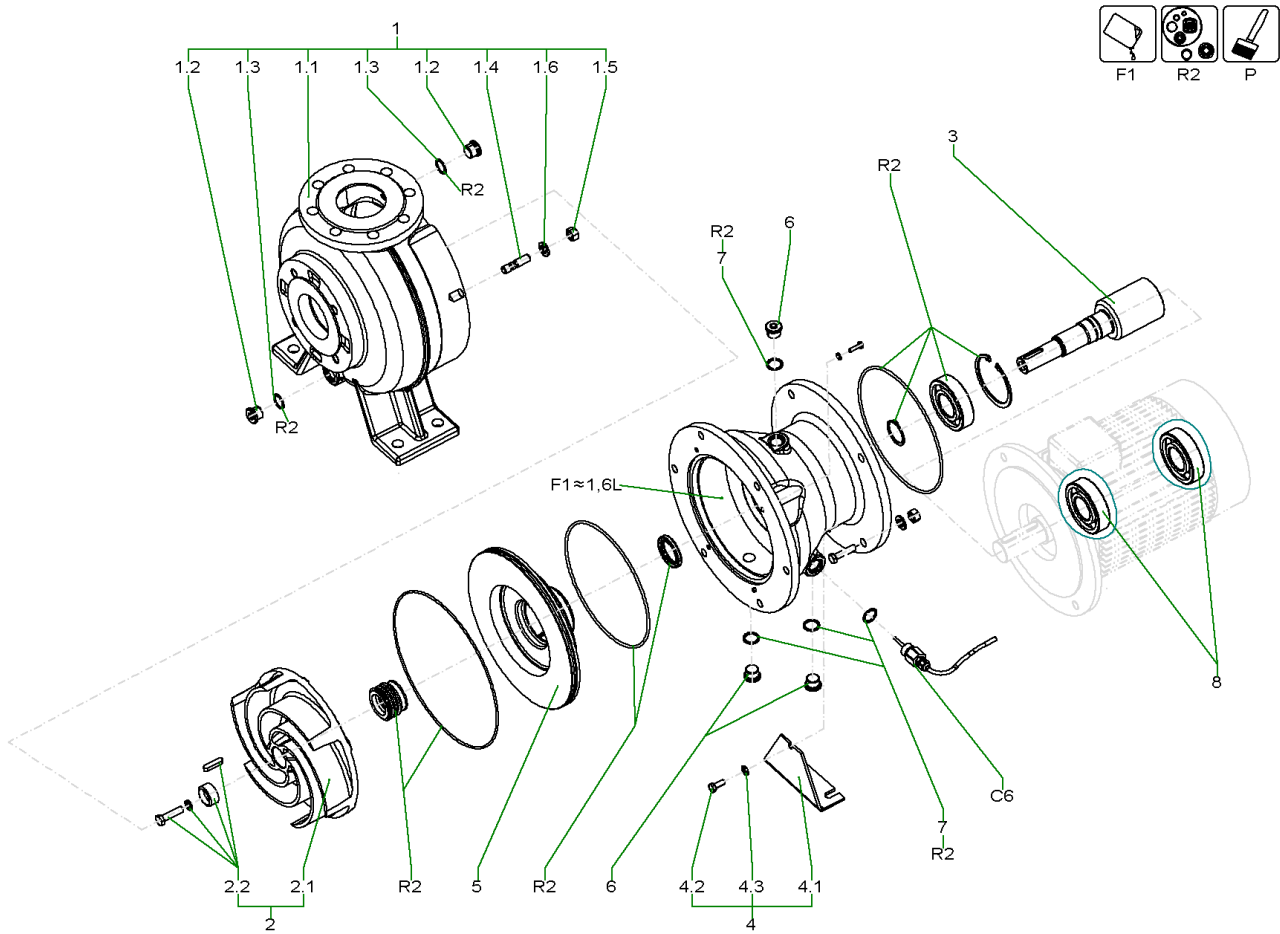
1	6220011	Pump housing RE08.52W-xxxDAH KIT	1
1.1		> pump housing Q80 6051076 GG	1
1.2		> screw plug G1/2 DIN908 A2	2
1.3		> seal ring A21/26x1,5 DIN7603 PA	2
1.4		> screw M12x35 DIN939 A2-70	6
1.5		> nut M12 DIN934 A4-80	6
1.6		> washer A13 DIN125 A4	6
2	6220020	Impeller RE08.52W-200xA KIT	1
2.1		> impeller-W D.200 6051858 GG	1
2.2		> washer D.35/11x16 55.1865 1.4021	1
2.2		> screw M10x40 DIN933 A4-70	1
2.2		> washer A10,5 DIN125 A4	1
2.2		> key A8X7X36 DIN6885 A4	1
2.2	6079538	impeller fixation 54.1865 1.4021 KIT	1
3	6220016	Pump shaft RE08xAH112/100 VP.	1
4	6220013	Support 6051105 90mm KIT	1
4.1		> Support foot 6051105 St	1
4.2		> screw M8x20 ISO4017 A4-70	1
4.3		> WASHER A8,4 DIN125 1.4401	1
5	6220012	Casing cover 6051811 GG VP.	1
6	6067638	screw plug G1/2 DIN908 A4 (3pcs)	1
7	6048832	joint ring A21/26x1,5 DIN7603 PA(10pc)	1
8	6072788	Motor bearing W21 112M SET	1



RexaBloc RE08.52W-200DAH112M4 (6073227)

Item	Article no.	Description	Quantity
R2	6079534	Rep.Kit 2 RE...H/ (100-132)	1
P	6042254	PAINT SPRAY Pantone334	1
F1	6025460	medical white oil 1L KIT	1
F1	6025461	medical white oil 5L KIT	1
C6	6042222	pencil electrode G1/2 10m KIT	1

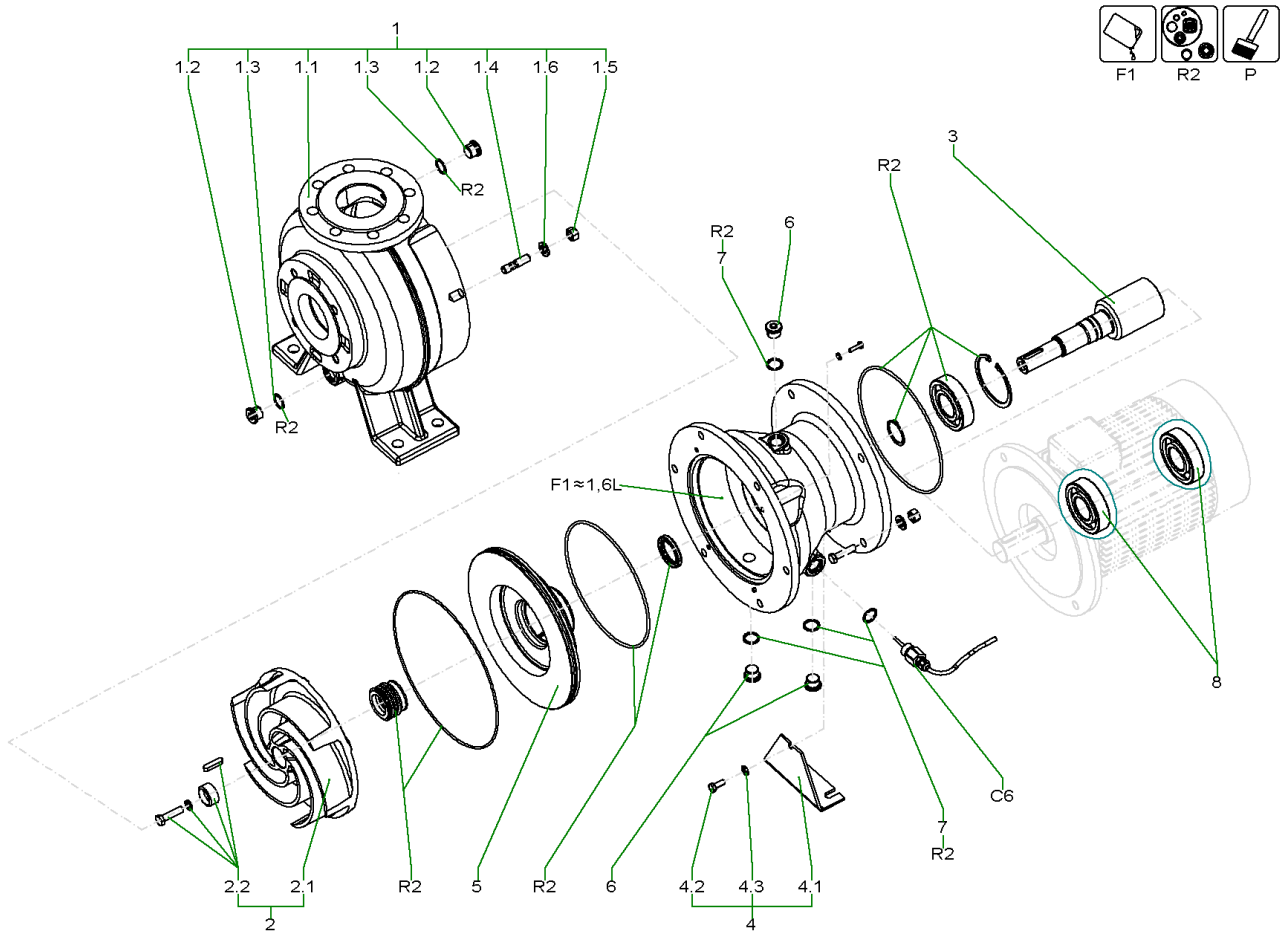
1	6220011	Pump housing RE08.52W-xxxDAH KIT	1
1.1		> pump housing Q80 6051076 GG	1
1.2		> screw plug G1/2 DIN908 A2	2
1.3		> seal ring A21/26x1,5 DIN7603 PA	2
1.4		> screw M12x35 DIN939 A2-70	6
1.5		> nut M12 DIN934 A4-80	6
1.6		> washer A13 DIN125 A4	6
2	6220020	Impeller RE08.52W-200xA KIT	1
2.1		> impeller-W D.200 6051858 GG	1
2.2		> washer D.35/11x16 55.1865 1.4021	1
2.2		> screw M10x40 DIN933 A4-70	1
2.2		> washer A10,5 DIN125 A4	1
2.2		> key A8X7X36 DIN6885 A4	1
2.2	6079538	impeller fixation 54.1865 1.4021 KIT	1
3	6220016	Pump shaft RE08xAH112/100 VP.	1
4	6220013	Support 6051105 90mm KIT	1
4.1		> Support foot 6051105 St	1
4.2		> screw M8x20 ISO4017 A4-70	1
4.3		> WASHER A8,4 DIN125 1.4401	1
5	6220012	Casing cover 6051811 GG VP.	1
6	6067638	screw plug G1/2 DIN908 A4 (3pcs)	1
7	6048832	joint ring A21/26x1,5 DIN7603 PA(10pc)	1
8	6085619	Motor bearing W22 112M SET	1



RexaBloc RE08.52W-230DAH132S4 (6077597)

Item	Article no.	Description	Quantity
R2	6079534	Rep.Kit 2 RE...H/ (100-132)	1
P	6042254	PAINT SPRAY Pantone334	1
F1	6025460	medical white oil 1L KIT	1
F1	6025461	medical white oil 5L KIT	1
C6	6042222	pencil electrode G1/2 10m KIT	1

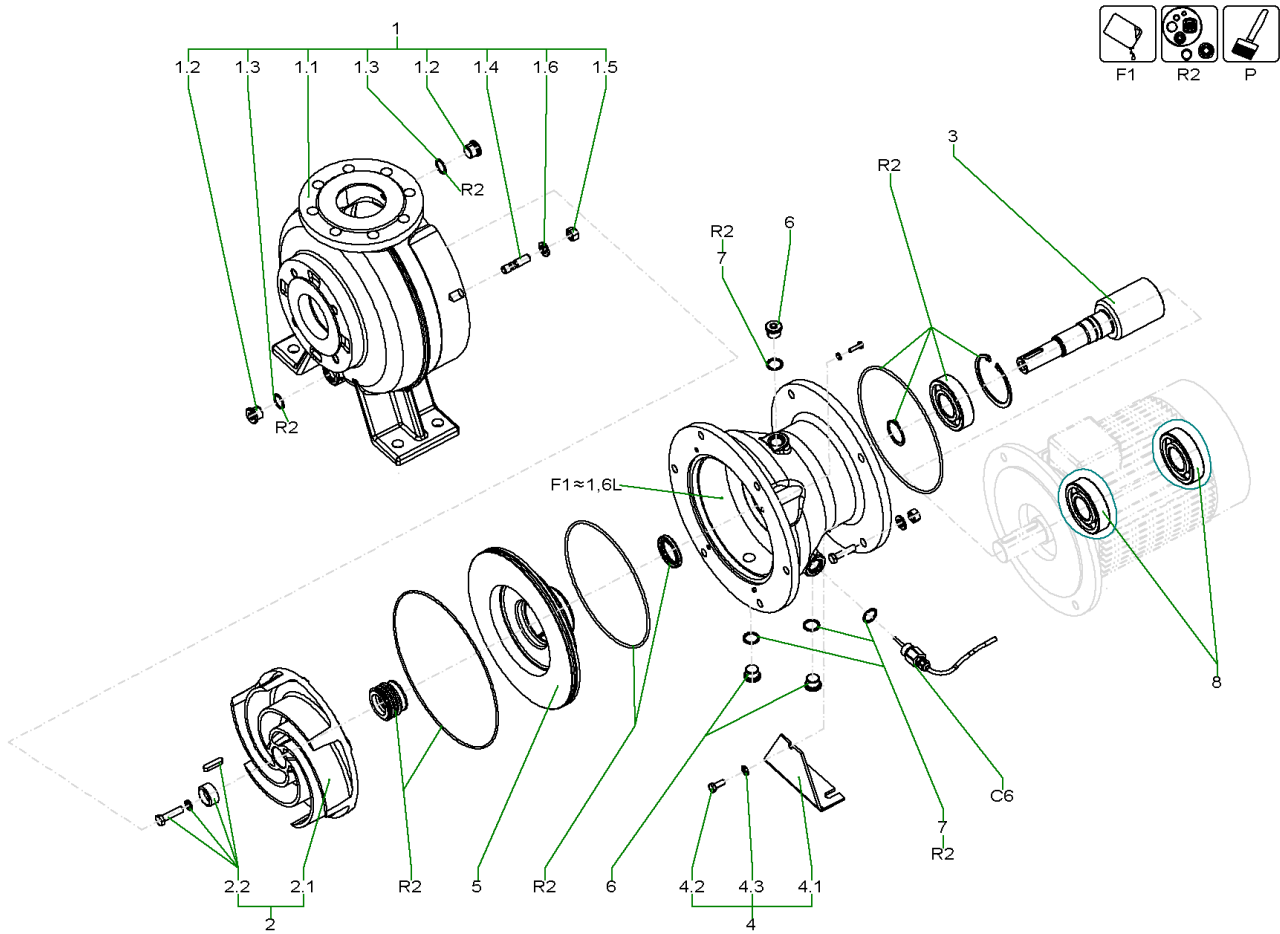
1	6220011	Pump housing RE08.52W-xxxDAH KIT	1
1.1		> pump housing Q80 6051076 GG	1
1.2		> screw plug G1/2 DIN908 A2	2
1.3		> seal ring A21/26x1,5 DIN7603 PA	2
1.4		> screw M12x35 DIN939 A2-70	6
1.5		> nut M12 DIN934 A4-80	6
1.6		> washer A13 DIN125 A4	6
2	6220019	Impeller RE08.52W-230xA KIT	1
2.1		> impeller-W D.230 6051858 GG	1
2.2		> washer D.35/11x16 55.1865 1.4021	1
2.2		> screw M10x40 DIN933 A4-70	1
2.2		> washer A10,5 DIN125 A4	1
2.2		> key A8X7X36 DIN6885 A4	1
2.2	6079538	impeller fixation 54.1865 1.4021 KIT	1
3	6220015	Pump shaft RE08xAH132 VP.	1
4	6220013	Support 6051105 90mm KIT	1
4.1		> Support foot 6051105 St	1
4.2		> screw M8x20 ISO4017 A4-70	1
4.3		> WASHER A8,4 DIN125 1.4401	1
5	6220012	Casing cover 6051811 GG VP.	1
6	6067638	screw plug G1/2 DIN908 A4 (3pcs)	1
7	6048832	joint ring A21/26x1,5 DIN7603 PA(10pc)	1
8	6072789	Motor bearing W 132S/M KIT	1



RexaBloc RE08.52W-230DAH132S4 (6073226)

Item	Article no.	Description	Quantity
R2	6079534	Rep.Kit 2 RE...H/ (100-132)	1
P	6042254	PAINT SPRAY Pantone334	1
F1	6025460	medical white oil 1L KIT	1
F1	6025461	medical white oil 5L KIT	1
C6	6042222	pencil electrode G1/2 10m KIT	1

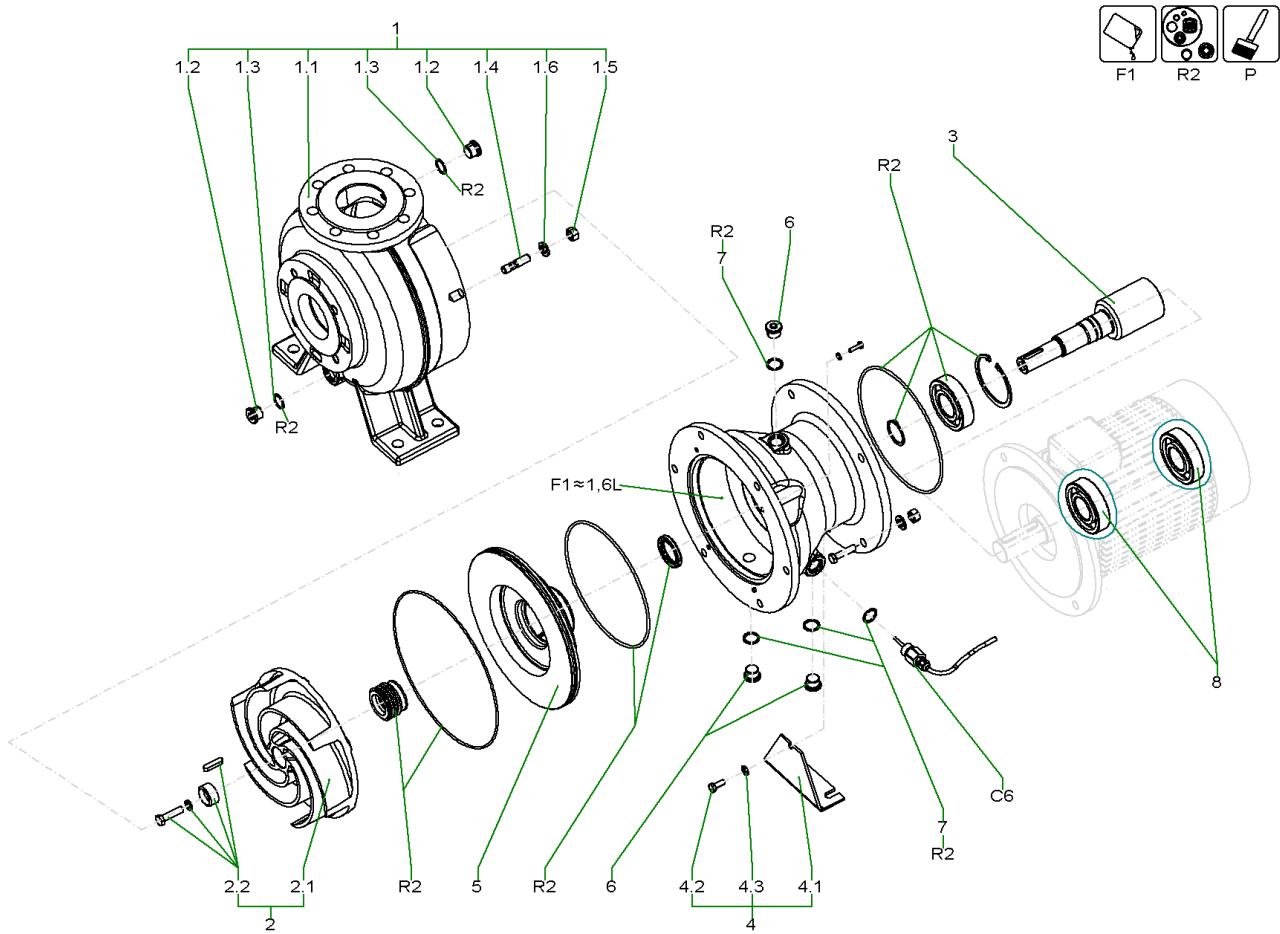
1	6220011	Pump housing RE08.52W-xxxDAH KIT	1
1.1		> pump housing Q80 6051076 GG	1
1.2		> screw plug G1/2 DIN908 A2	2
1.3		> seal ring A21/26x1,5 DIN7603 PA	2
1.4		> screw M12x35 DIN939 A2-70	6
1.5		> nut M12 DIN934 A4-80	6
1.6		> washer A13 DIN125 A4	6
2	6220019	Impeller RE08.52W-230xA KIT	1
2.1		> impeller-W D.230 6051858 GG	1
2.2		> washer D.35/11x16 55.1865 1.4021	1
2.2		> screw M10x40 DIN933 A4-70	1
2.2		> washer A10,5 DIN125 A4	1
2.2		> key A8X7X36 DIN6885 A4	1
2.2	6079538	impeller fixation 54.1865 1.4021 KIT	1
3	6220015	Pump shaft RE08xAH132 VP.	1
4	6220013	Support 6051105 90mm KIT	1
4.1		> Support foot 6051105 St	1
4.2		> screw M8x20 ISO4017 A4-70	1
4.3		> WASHER A8,4 DIN125 1.4401	1
5	6220012	Casing cover 6051811 GG VP.	1
6	6067638	screw plug G1/2 DIN908 A4 (3pcs)	1
7	6048832	joint ring A21/26x1,5 DIN7603 PA(10pc)	1
8	6072789	Motor bearing W 132S/M KIT	1



RexaBloc RE08.52W-250DAH132S4 (6077596)

Item	Article no.	Description	Quantity
R2	6079534	Rep.Kit 2 RE...H/ (100-132)	1
P	6042254	PAINT SPRAY Pantone334	1
F1	6025460	medical white oil 1L KIT	1
F1	6025461	medical white oil 5L KIT	1
C6	6042222	pencil electrode G1/2 10m KIT	1

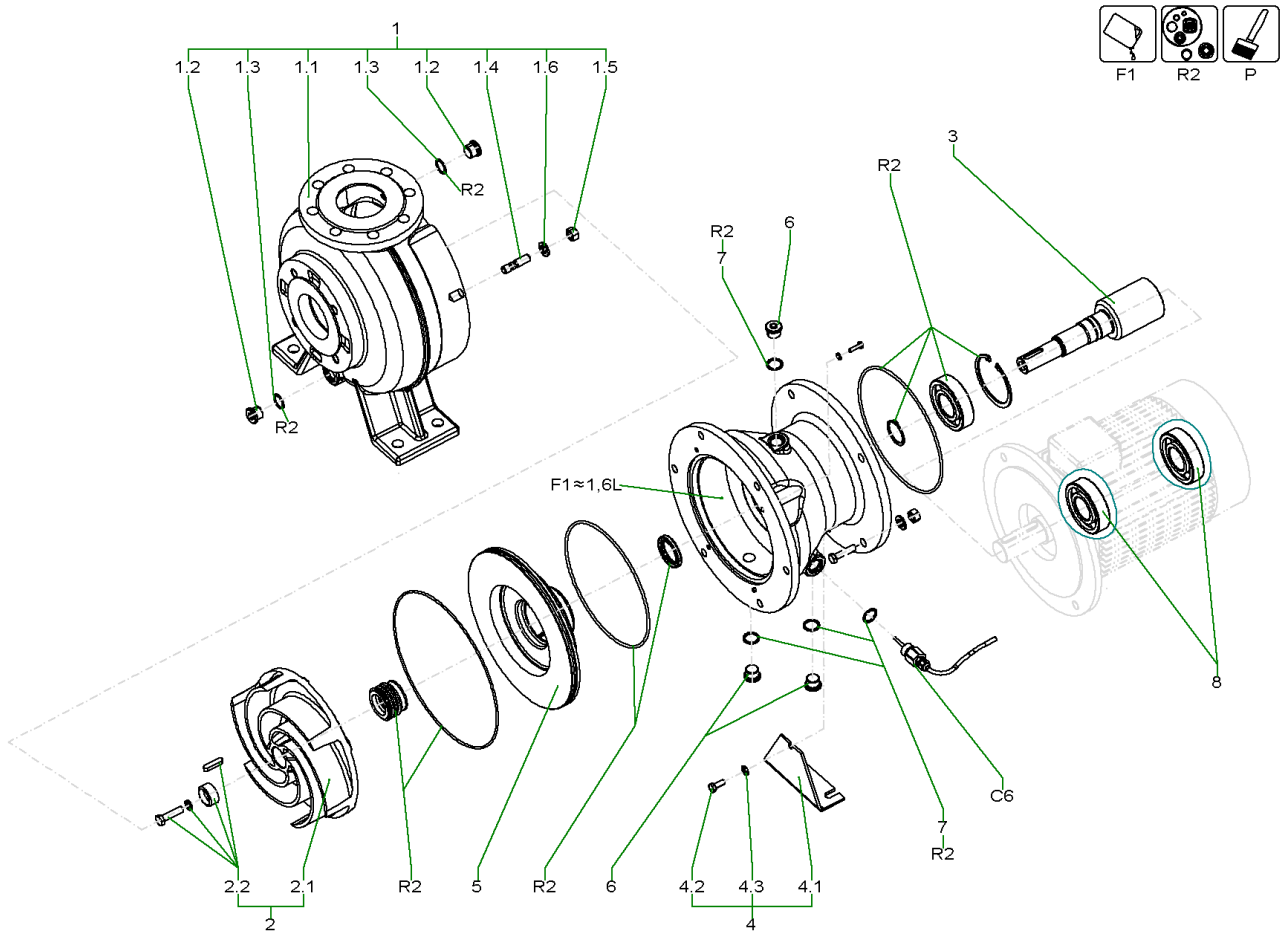
1	6220011	Pump housing RE08.52W-xxxDAH KIT	1
1.1		> pump housing Q80 6051076 GG	1
1.2		> screw plug G1/2 DIN908 A2	2
1.3		> seal ring A21/26x1,5 DIN7603 PA	2
1.4		> screw M12x35 DIN939 A2-70	6
1.5		> nut M12 DIN934 A4-80	6
1.6		> washer A13 DIN125 A4	6
2	6220018	Impeller RE08.52W-250xA KIT	1
2.1		> impeller-W D.250 6051858 GG	1
2.2		> washer D.35/11x16 55.1865 1.4021	1
2.2		> screw M10x40 DIN933 A4-70	1
2.2		> washer A10,5 DIN125 A4	1
2.2		> key A8X7X36 DIN6885 A4	1
2.2	6079538	impeller fixation 54.1865 1.4021 KIT	1
3	6220015	Pump shaft RE08xAH132 VP.	1
4	6220013	Support 6051105 90mm KIT	1
4.1		> Support foot 6051105 St	1
4.2		> screw M8x20 ISO4017 A4-70	1
4.3		> WASHER A8,4 DIN125 1.4401	1
5	6220012	Casing cover 6051811 GG VP.	1
6	6067638	screw plug G1/2 DIN908 A4 (3pcs)	1
7	6048832	joint ring A21/26x1,5 DIN7603 PA(10pc)	1
8	6072789	Motor bearing W 132S/M KIT	1



RexaBloc RE08.52W-250DAH132S4 (6073225)

Item	Article no.	Description	Quantity
R2	6079534	Rep.Kit 2 RE...H/ (100-132)	1
P	6042254	PAINT SPRAY Pantone334	1
F1	6025460	medical white oil 1L KIT	1
F1	6025461	medical white oil 5L KIT	1
C6	6042222	pencil electrode G1/2 10m KIT	1

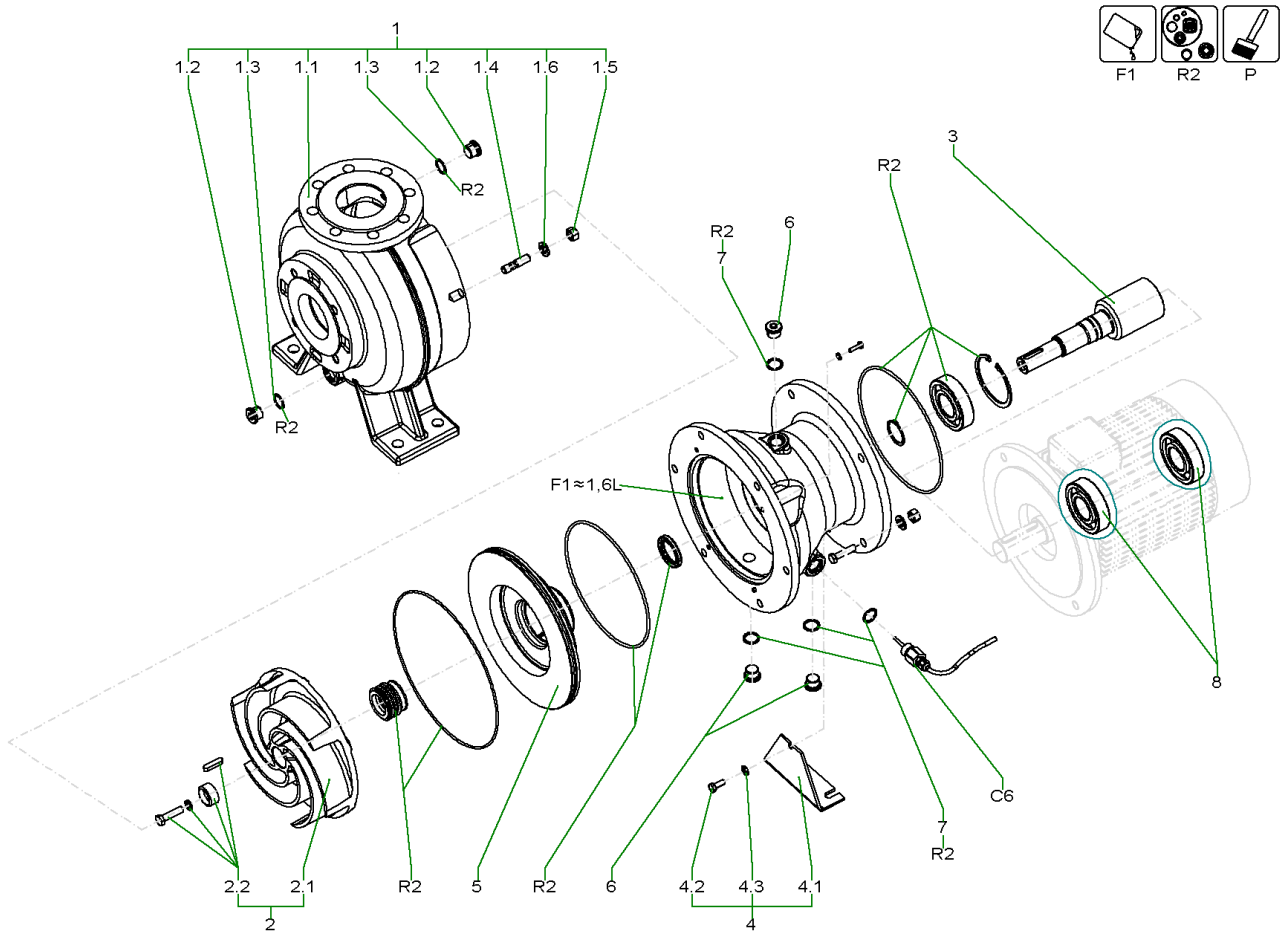
1	6220011	Pump housing RE08.52W-xxxDAH KIT	1
1.1		> pump housing Q80 6051076 GG	1
1.2		> screw plug G1/2 DIN908 A2	2
1.3		> seal ring A21/26x1,5 DIN7603 PA	2
1.4		> screw M12x35 DIN939 A2-70	6
1.5		> nut M12 DIN934 A4-80	6
1.6		> washer A13 DIN125 A4	6
2	6220018	Impeller RE08.52W-250xA KIT	1
2.1		> impeller-W D.250 6051858 GG	1
2.2		> washer D.35/11x16 55.1865 1.4021	1
2.2		> screw M10x40 DIN933 A4-70	1
2.2		> washer A10,5 DIN125 A4	1
2.2		> key A8X7X36 DIN6885 A4	1
2.2	6079538	impeller fixation 54.1865 1.4021 KIT	1
3	6220015	Pump shaft RE08xAH132 VP.	1
4	6220013	Support 6051105 90mm KIT	1
4.1		> Support foot 6051105 St	1
4.2		> screw M8x20 ISO4017 A4-70	1
4.3		> WASHER A8,4 DIN125 1.4401	1
5	6220012	Casing cover 6051811 GG VP.	1
6	6067638	screw plug G1/2 DIN908 A4 (3pcs)	1
7	6048832	joint ring A21/26x1,5 DIN7603 PA(10pc)	1
8	6072789	Motor bearing W 132S/M KIT	1



RexaBloc RE08.52W-260DAH132M4 (6077595)

Item	Article no.	Description	Quantity
R2	6079534	Rep.Kit 2 RE...H/ (100-132)	1
P	6042254	PAINT SPRAY Pantone334	1
F1	6025460	medical white oil 1L KIT	1
F1	6025461	medical white oil 5L KIT	1
C6	6042222	pencil electrode G1/2 10m KIT	1

1	6220011	Pump housing RE08.52W-xxxDAH KIT	1
1.1		> pump housing Q80 6051076 GG	1
1.2		> screw plug G1/2 DIN908 A2	2
1.3		> seal ring A21/26x1,5 DIN7603 PA	2
1.4		> screw M12x35 DIN939 A2-70	6
1.5		> nut M12 DIN934 A4-80	6
1.6		> washer A13 DIN125 A4	6
2	6220017	Impeller RE08.52W-260xA KIT	1
2.1		> impeller-W D.260 6051858 GG Z	1
2.2		> washer D.35/11x16 55.1865 1.4021	1
2.2		> screw M10x40 DIN933 A4-70	1
2.2		> washer A10,5 DIN125 A4	1
2.2		> key A8X7X36 DIN6885 A4	1
2.2	6079538	impeller fixation 54.1865 1.4021 KIT	1
3	6220015	Pump shaft RE08xAH132 VP.	1
4	6220013	Support 6051105 90mm KIT	1
4.1		> Support foot 6051105 St	1
4.2		> screw M8x20 ISO4017 A4-70	1
4.3		> WASHER A8,4 DIN125 1.4401	1
5	6220012	Casing cover 6051811 GG VP.	1
6	6067638	screw plug G1/2 DIN908 A4 (3pcs)	1
7	6048832	joint ring A21/26x1,5 DIN7603 PA(10pc)	1
8	6072789	Motor bearing W 132S/M KIT	1



RexaBloc RE08.52W-260DAH132M4 (6073224)

Item	Article no.	Description	Quantity
R2	6079534	Rep.Kit 2 RE...H/ (100-132)	1
P	6042254	PAINT SPRAY Pantone334	1
F1	6025460	medical white oil 1L KIT	1
F1	6025461	medical white oil 5L KIT	1
C6	6042222	pencil electrode G1/2 10m KIT	1

1	6220011	Pump housing RE08.52W-xxxDAH KIT	1
1.1		> pump housing Q80 6051076 GG	1
1.2		> screw plug G1/2 DIN908 A2	2
1.3		> seal ring A21/26x1,5 DIN7603 PA	2
1.4		> screw M12x35 DIN939 A2-70	6
1.5		> nut M12 DIN934 A4-80	6
1.6		> washer A13 DIN125 A4	6
2	6220017	Impeller RE08.52W-260xA KIT	1
2.1		> impeller-W D.260 6051858 GG Z	1
2.2		> washer D.35/11x16 55.1865 1.4021	1
2.2		> screw M10x40 DIN933 A4-70	1
2.2		> washer A10,5 DIN125 A4	1
2.2		> key A8X7X36 DIN6885 A4	1
2.2	6079538	impeller fixation 54.1865 1.4021 KIT	1
3	6220015	Pump shaft RE08xAH132 VP.	1
4	6220013	Support 6051105 90mm KIT	1
4.1		> Support foot 6051105 St	1
4.2		> screw M8x20 ISO4017 A4-70	1
4.3		> WASHER A8,4 DIN125 1.4401	1
5	6220012	Casing cover 6051811 GG VP.	1
6	6067638	screw plug G1/2 DIN908 A4 (3pcs)	1
7	6048832	joint ring A21/26x1,5 DIN7603 PA(10pc)	1
8	6072789	Motor bearing W 132S/M KIT	1