

# PTH SERIES

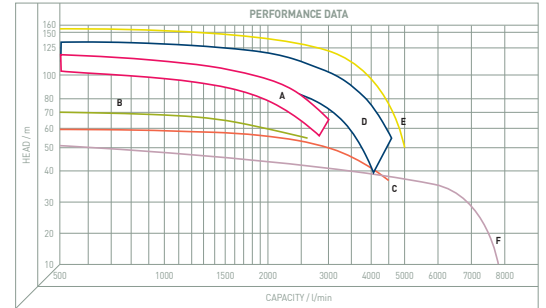
## HIGH PRESSURE CENTRIFUGAL CHOPPER PUMP

The PTH series is a range of high pressure centrifugal chopper pumps, ideal for particularly heavy duty applications. These pumps have an overgear-box that is driven by a PTO shaft. They have multi-channel impellers, and a double chopping system.

These pumps are recommended for applications that require a substantial head and adequate chopping of the solid materials, present in the liquid being pumped, ideal for systems with self-propelled sprinklers or marked height differences and long pipelines.

### Features:

- Cast iron construction
- Mechanical seal within oil bath
- Heavy duty double chopping system
- Galvanised frame available

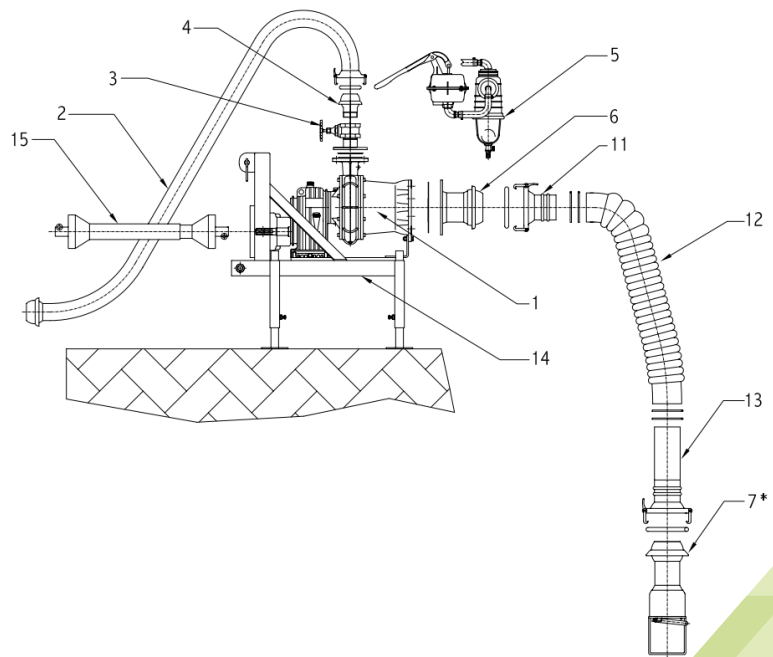


## TECHNICAL SPECIFICATION

PUMP TYPE	PRODUCT CODE	CURVE	INLET X OUTLET "/mm	p.t.o RPM x Gear ratio	RPM PUMP	IMPEL- LER	POWER TRACTOR	FREE PASSAGE Ø
PTH 65	PCR/PTH65	A\	6 x 2½ / 150 x 65	540 x 5.84 913 x 3.45	3150	C	100-110	11
						B	110-120	11
						A	125-135	11
PTH 80	PCR/PTH80	B\	4 x 3 / 100 x 80	540 x 5.84	3150	A	65-75	28
PTH 100	PCR/PTH100	C\	6 x 4 / 150 x 100	540 x 5.84	3150	A	70-80	28
PTH 100K-C	PCR/PTH100K-A	D\	6 x 4 / 150 x 100	540 4.44 916 x 2.62	2400	D	170-180	28
				916 x 2.62		C	195-205	28
PTH 100KK-C	PCR/PTH100KK	E\	6 x 4 / 150 x 100	927 x 2.75	2550	C	230-240	28
PTH 150	PCR/PTH150	F\	8 x 4 / 200 x 150	540 x 4.44 916 x 2.62	2400	C	120-130	40

## PARTS AND MATERIAL LISTS

No.	PART
1	PUMP
2	GOOSENECK
3	FLANGED GATE
4	MALE WITH THREADED STUD PIPE
5	PRIMING DEVICE
6	MALE WITH FLANGE
7	FOOT VALVE*
11	FEMALE HOSE CONNECTION
12	RUBBER FLEXIBLE HOSE
13	FEMALE COUPLING EXTENSION
14	FRAME
15	DRIVE SHAFT



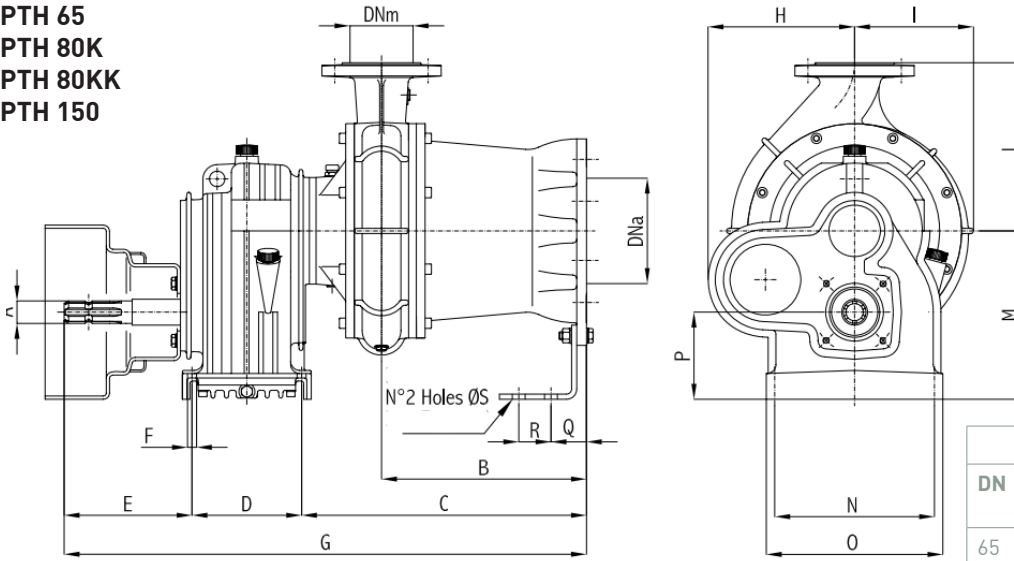
\* Use only for waste water with regular sized suspended solids such as sewage sludge, waste and muddy water in general, muddy liquid, pig slurry etc.

# PTH SERIES

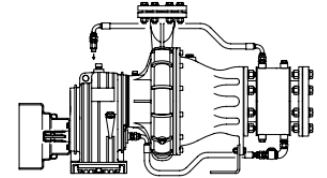
## HIGH PRESSURE CENTRIFUGAL CHOPPER PUMP

### DIMENSIONAL DRAWINGS

PTH 65  
PTH 80K  
PTH 80KK  
PTH 150

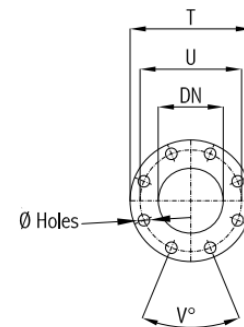
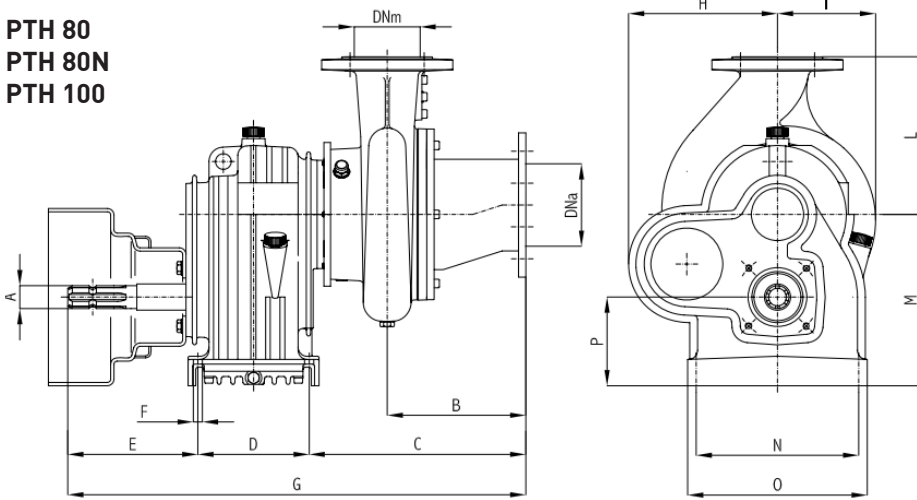


PTH 80KK



FLANGE						
DN	PN	T	U	V°	Ø HOLES	N° HOLES
65	10	185	145	90	18	4
80	10	200	160	90	18	4
80	16	200	160	45	18	8
100	10/16	220	180	45	18	8
150	10/16	285	240	45	22	8
200	10	340	295	45	22	8

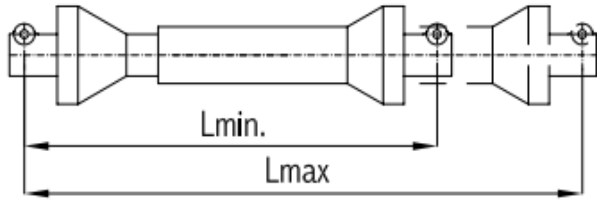
PTH 80  
PTH 80N  
PTH 100



PUMP TYPE	DIMENSIONS																		
	DNa	DNm	A	B	C	D	E	F	G	H	I	L	M	N	O	P	Q	R	ØS
PTH 65	DN150 - PN10	DN65 - PN10	1"3/8 Z=6	318	442	170	199	14	811	199	184	261	261	248	274	135	55	50	13
PTH 80	DN100 - PN10	DN80 - PN10	1"3/8 Z=6	212	331	170	199	14	700	177	150	240	261	248	274	135	-	-	-
PTH 80N	DN100 - PN10	DN80 - PN10	1"3/8 Z=6	258	377	170	199	14	746	177	150	240	261	248	274	135	-	-	-
PTH 100	DN150 - PN10	DN100 - PN10	1"3/8 Z=6	293	419	170	199	14	788	190	155	263	261	248	274	135	-	-	-
PTH 80K	DN150 - PN10	DN80 - PN16	1"3/8 Z=6	335	501	190	204	16	895	248	229	370	296	265	300	152	55	50	13
PTH 80KK	DN150 - PN10	DN80 - PN16	1"3/4 Z=6	574	743	190	133	16	1066	248	229	370	296	265	300	152	298	50	13
PTH 150	DN200 - PN10	DN150 - PN10	1"3/8 Z=6	263	409	190	204	16	803	257	198	340	296	265	300	152	55	50	13

**DIMENSIONAL DRAWINGS**

**DRIVE SHAFTS**



TYPE	L MIN	L MAX	[CV]	
			540	
C 60	1222	1747	64	100
C 95	1239	1726	95	150
C 95K	1239	1726	-	150

**INSTALLATION**

