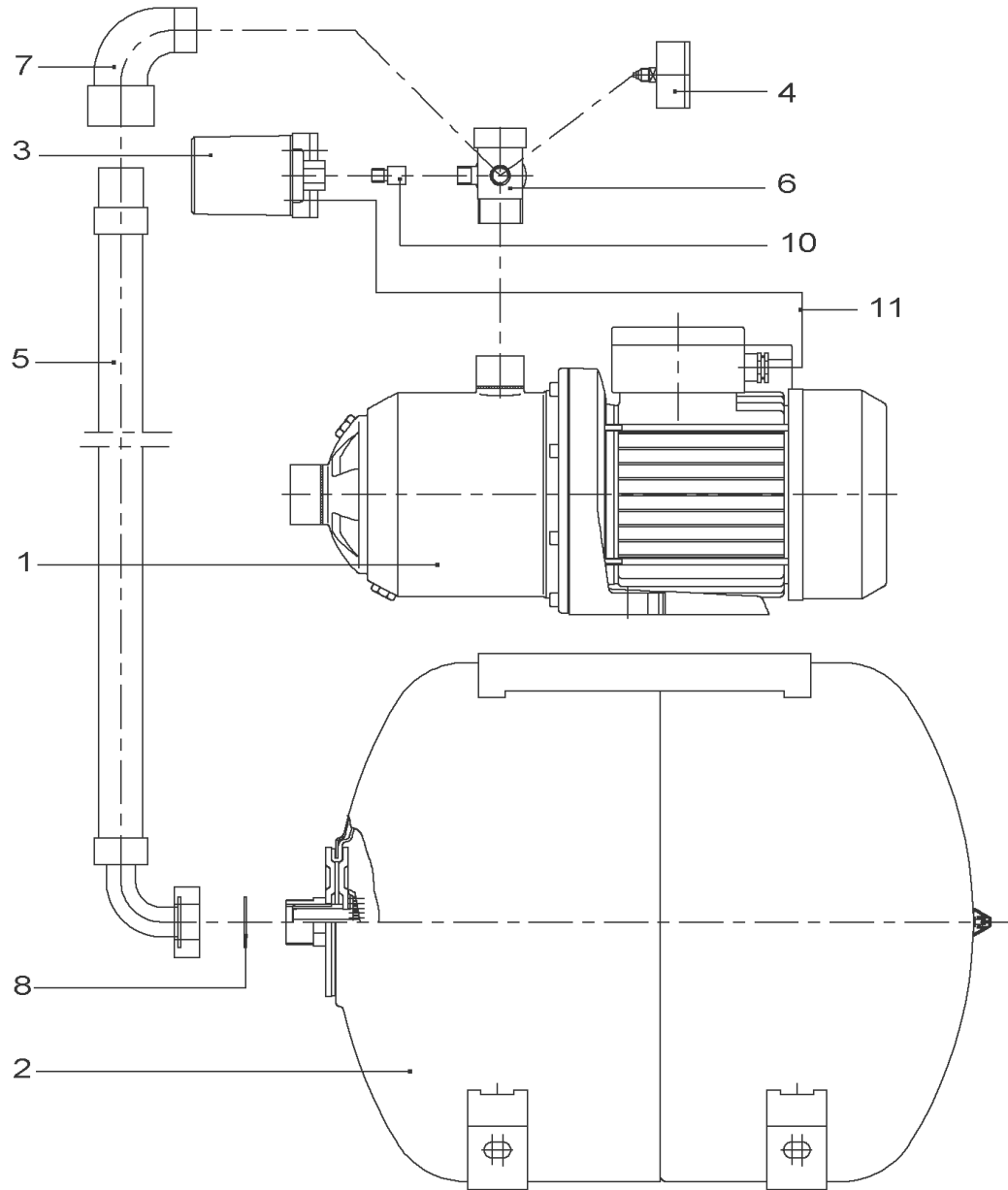




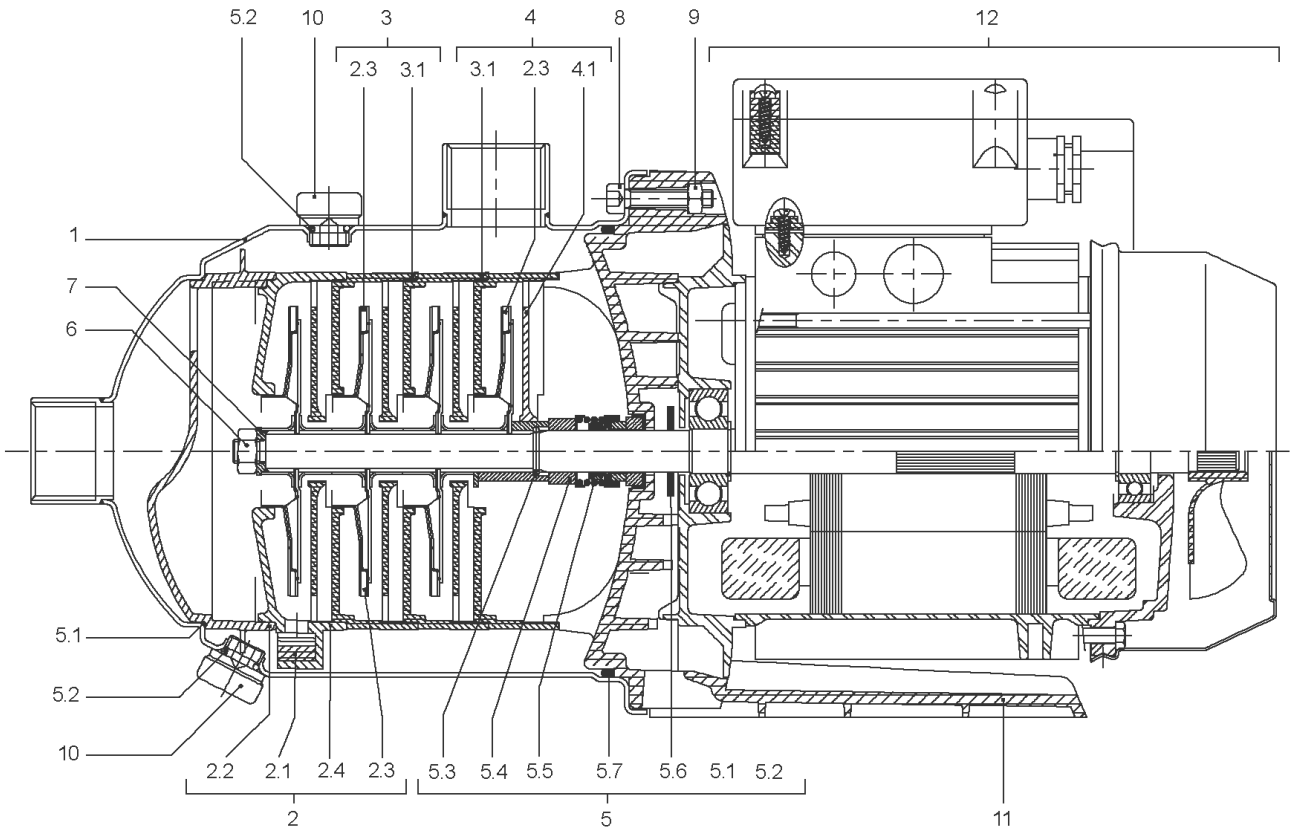
MultiCargo HMC

Article no.	Description
2511908	HMC304 DM
2511904	HMC304 EM
2512320	HMC304 EM -TR
2511909	HMC305 DM
2511905	HMC305 EM
2512321	HMC305 EM -TR
2511910	HMC604 DM
2511906	HMC604 EM
2512322	HMC604 EM -TR
2511911	HMC605 DM
2511907	HMC605 EM
2512323	HMC605 EM -TR



HMC304 DM (2511908)

Item	Article no.	Description	Quantity
1		MC304-DM	1
		> MC304-DM TO VERSION: /F	1
		> MC304-DM FROM VERSION: /G	1
2	2027578	DIAPHRAGM VESSEL 50L PN10 HWW VP.	1
	2124000	DIAPHRAGM 50L HW ACS VP.	1
Note: for pressure vessel/für Membranbehälter/pour reservoir: 2527268			
	2132491	DIAPHRAGM 50L-HWW VP.	1
Note: for pressure vessel/für Membranbehälter/pour reservoir: 2537381			
3	2027579	PRESSURE SWITCH PT5 1-5BAR R1/4"-I-GEW.	1
4	2027581	PRESSURE GAUGE 0-6BAR D50 G1/4"HIND INL	1
5	2027583	FLEX.HOSE R1"M(W90°)-1"F550PN10 ACS.VP.	1
6	2068034	DISTRIBUTOR BRASS R1" TYPE RCLL 91 MM	1
7	2027585	ANGLE FITTING BRASS R1" TYPE RCM/F	1
8	2042873	FLAT GASKET 21x30x2 C4400 VP.	1
10	2042988	THREADED EXTENSION PIECE G1/4" BRASS	1
11	2042874	CONNECTION CABLE HMC/HMP/HMH MOTOR 3~400	1

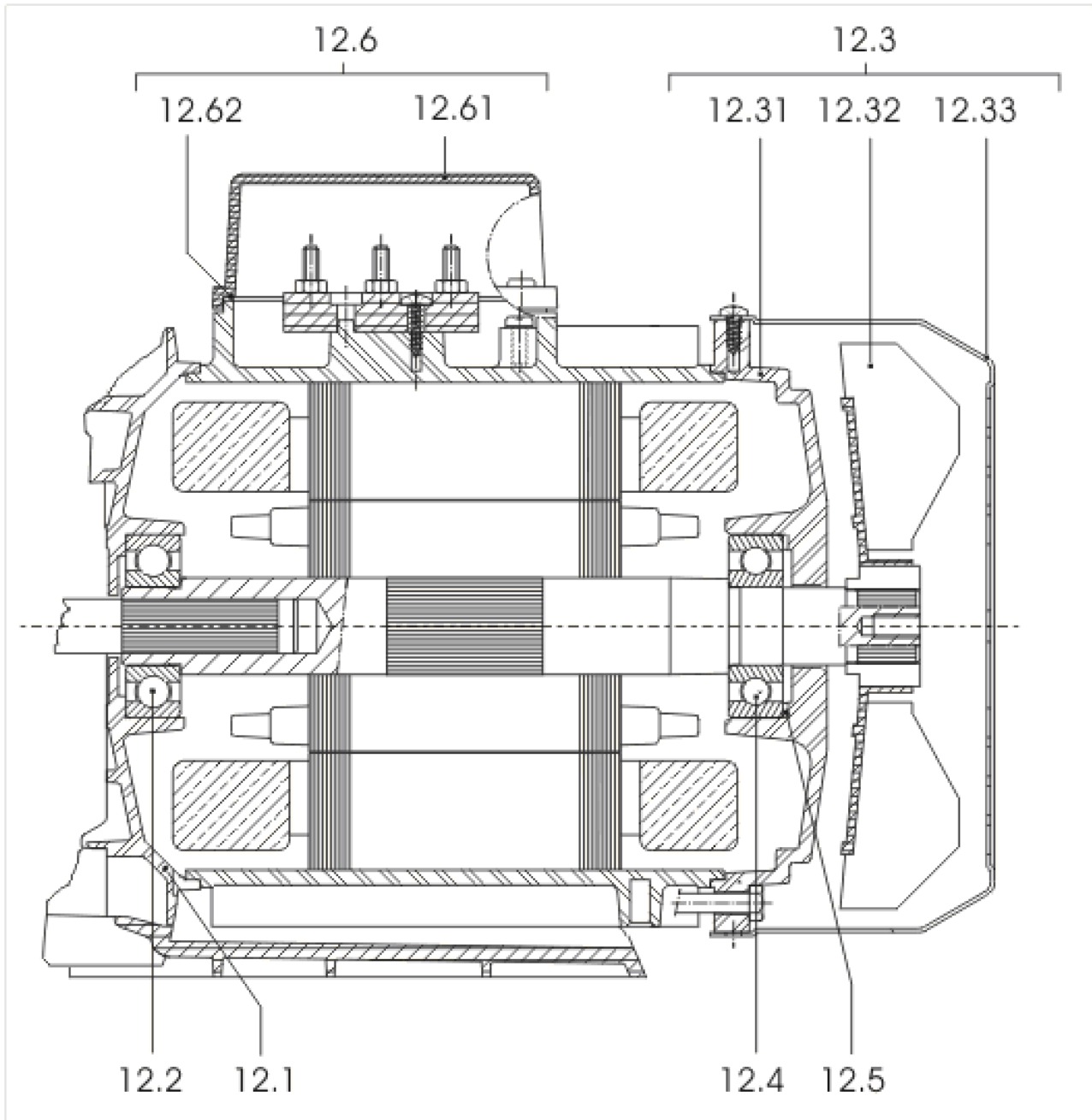


MC304-DM TO VERSION: /F

Item	Article no.	Description	Quantity
1	4233946	PUMPHOUSING MC 4 STAGE VP.	1
2	4054533	MC304-305 PUMP 1st STAGE KIT New range	1
Note: STAGE/ STUFE/ ETAGE: 1			
2.1	2123700	> FLAP METAL MC VP.	1
2.2		> SUCTION CASING VALVE EPDM AND STAIN.STEE	1
2.3		> IMPELLER MVI2 D.98x2 1.4301	1
2.4		> STAGE HOUSING SUPPORT VALVE	1
2	4067351	1st STAGE KIT MC PUMP PLASTIC IMPELLER	1
Note: STAGE/ STUFE/ ETAGE: 1FROM/ AB/ À PARTIR DE: MC304-DM/E			
2.1	2123700	> FLAP METAL MC VP.	1
2.2		> SUCTION CASING VALVE EPDM AND STAIN.STEE	1
2.3		> IMPELLER-2M3-SP-HY-LOW-FLOW	1
2.4		> STAGE HOUSING SUPPORT VALVE	1
3	4054534	MC304-305 PUMP OTHERS STAGES KIT New ran	1
Note: STAGE/ STUFE/ ETAGE: 2/3			
2.3		> IMPELLER MVI2 D.98x2 1.4301	1
3.1		> STAGE CASING WITH RETURN GUIDE VANE-SP	1
3	4067352	OTHERS STAGES KIT MC SILENT MASTER	1
Note: STAGE/ STUFE/ ETAGE: 2/3FROM/ AB/ À PARTIR DE: MC304-DM/E			
2.3		> IMPELLER-2M3-SP-HY-LOW-FLOW	1
3.1		> STAGE CASING WITH RETURN GUIDE VANE-SP	1
4	4054535	LAST STAGE KIT MC304-305 PUMP New range	1
Note: STAGE/ STUFE/ ETAGE: 4			
2.3		> IMPELLER MVI2 D.98x2 1.4301	1
3.1		> STAGE CASING WITH RETURN GUIDE VANE-SP	1
4.1		> CANAL-RET-ULTEM2300	1
4	4067353	LAST STAGE KIT MC PUMP PLASTIC IMPELL	1
Note: STAGE/ STUFE/ ETAGE: 4FROM/ AB/ À PARTIR DE: MC304-DM/E			
2.3		> IMPELLER-2M3-SP-HY-LOW-FLOW	1
3.1		> STAGE CASING WITH RETURN GUIDE VANE-SP	1
4.1		> CANAL-RET-ULTEM2300	1
5	4049859	MULTICARGO PUMP MECHANICAL SEAL KIT	1
5.1	4036284	> GASKET-115X1-NITRILE	1
5.2	4017965	> O-RING D9,9X2,62 NITRILE 70SH	1

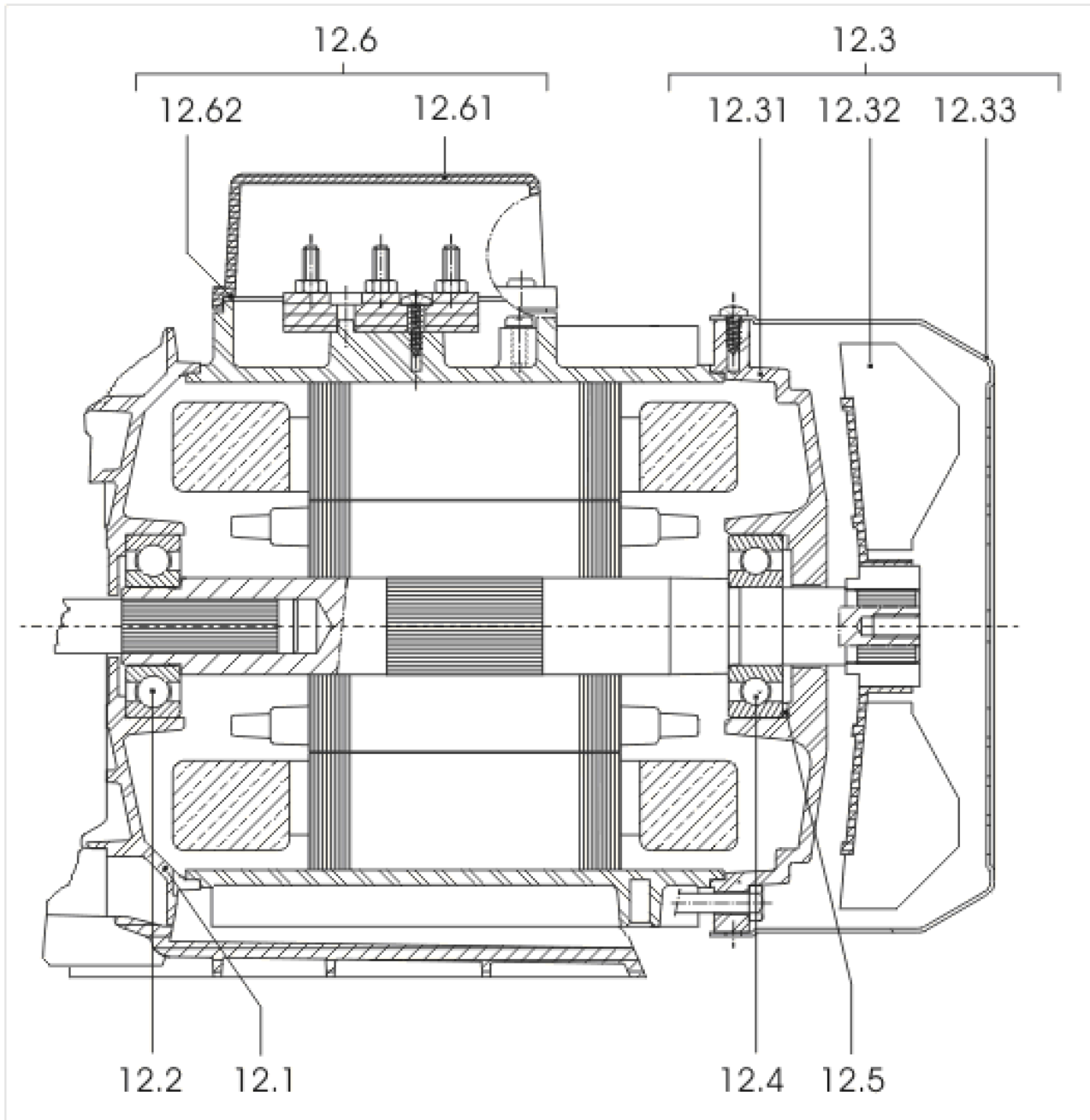
MC304-DM TO VERSION: /F

Item	Article no.	Description	Quantity
5.3	2090148	> CIRCLIP D14 MVI/MHI 316L (2 PIECES) VP.	1
		>> STOP-RUSH-1/2-D14-VMI/HMI-316	2
5.4		> DEFLECTOR D14xD22EP9 NORYL	1
5.5		> MECH.SEAL MG9/14 G60 BVPFF GM.BURGMANN	1
5.6		> THROWER 65/70SH-NITRILE	1
5.7	4233945	> O-RING ID.140 VP.	1
5.8		> THROWER-RUBBER-SH65/70	1
6	4056417	NUT M8 INOX 1.4404	1
7	74960033407	DISC MP3/6+MC3/6	1
8	4031762	SCREW M6X30 ISO4762 8.8 ZN	1
Note: PARTS/ STÜCK/ PIÈCES: 8			
9	4031766	NUT M6 MP3/6	1
Note: PARTS/ STÜCK/ PIÈCES: 8			
10	2188170	Drain plug/o-ring G1/4" KIT	1
11	4045110	LANTERN BRACKET	1
12		SPARE PARTS MOTOR MC304-DM/ -E (MG71)	1
12		SPARE PARTS MOTOR MC304-DM/F (MG63)	1



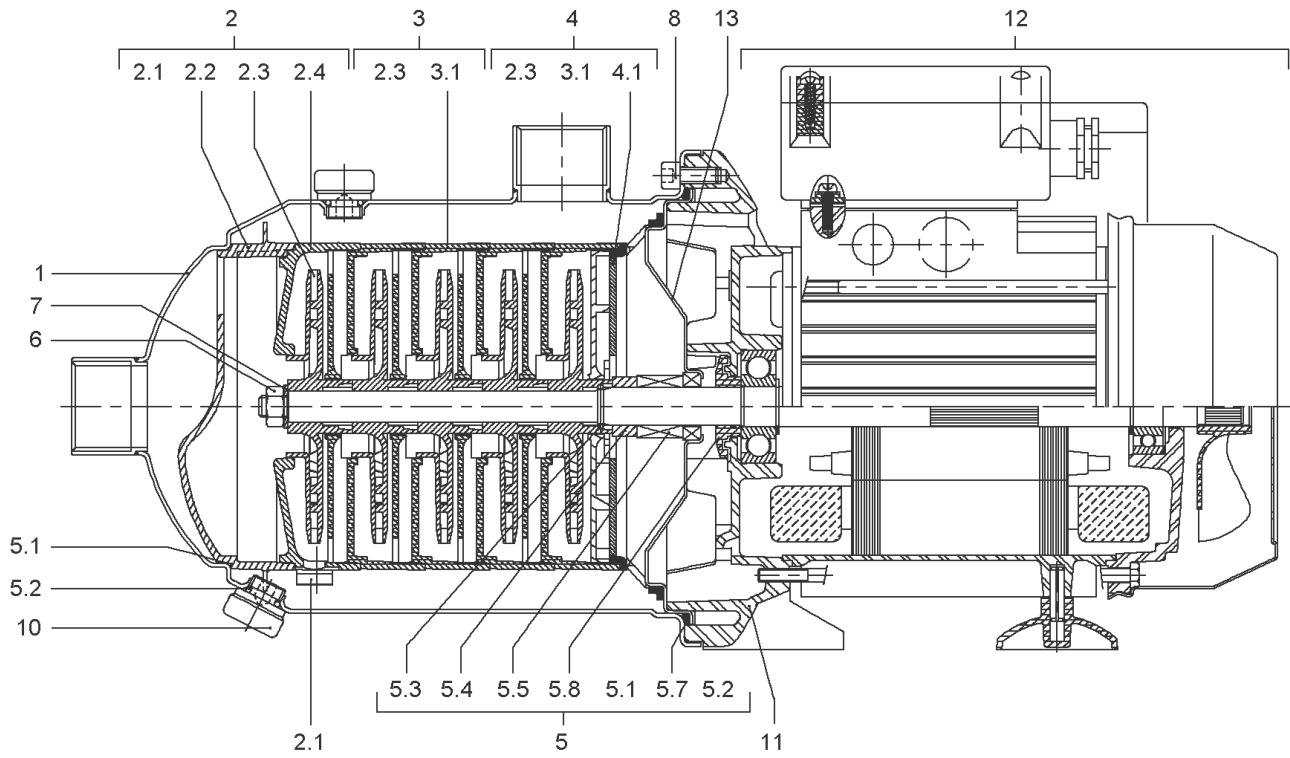
SPARE PARTS MOTOR MC304-DM/ -E (MG71)

Item	Article no.	Description	Quantity
12.1	4028055	END SHILD AS MP3/MP603+604 +PK.	1
7.6	4185162	BALL-BEARING-6302-C3-DDU-E-EA6 VP.	1
12.3	2048812	FAN D.110 MG.71 MC KIT	1
12.31		> REAR-BEARING-MOT71-D110-LOCKING	1
12.32	4233938	> Motor fan T63-71 D100 VP.	1
12.33	4202863	> FAN-COVER-MOTOR71-D110-LOCKING VP.	1
12.4	122097891	BALL BEARING 6202/2Z-C3 (HT) VP.	1
12.5	4215742	Crinkled washer 6202/6300-C3 VP.	1
12.6	4090076	TERMINAL BOX KIT MC-DM (71)	1
12.61	4210082	> Terminal-Box-Cover-MOT-TRI-71 VP.	1
12.62	4209688	> Flat-Gasket-BAB-MOT71 VP.	1
	4057378	> TERMINAL BLOCK 50/32 6P	1
		> M3,5L14 THREAD FORMING SCREW	1
	4207951	CIRCLIP D15X1 VP.	1



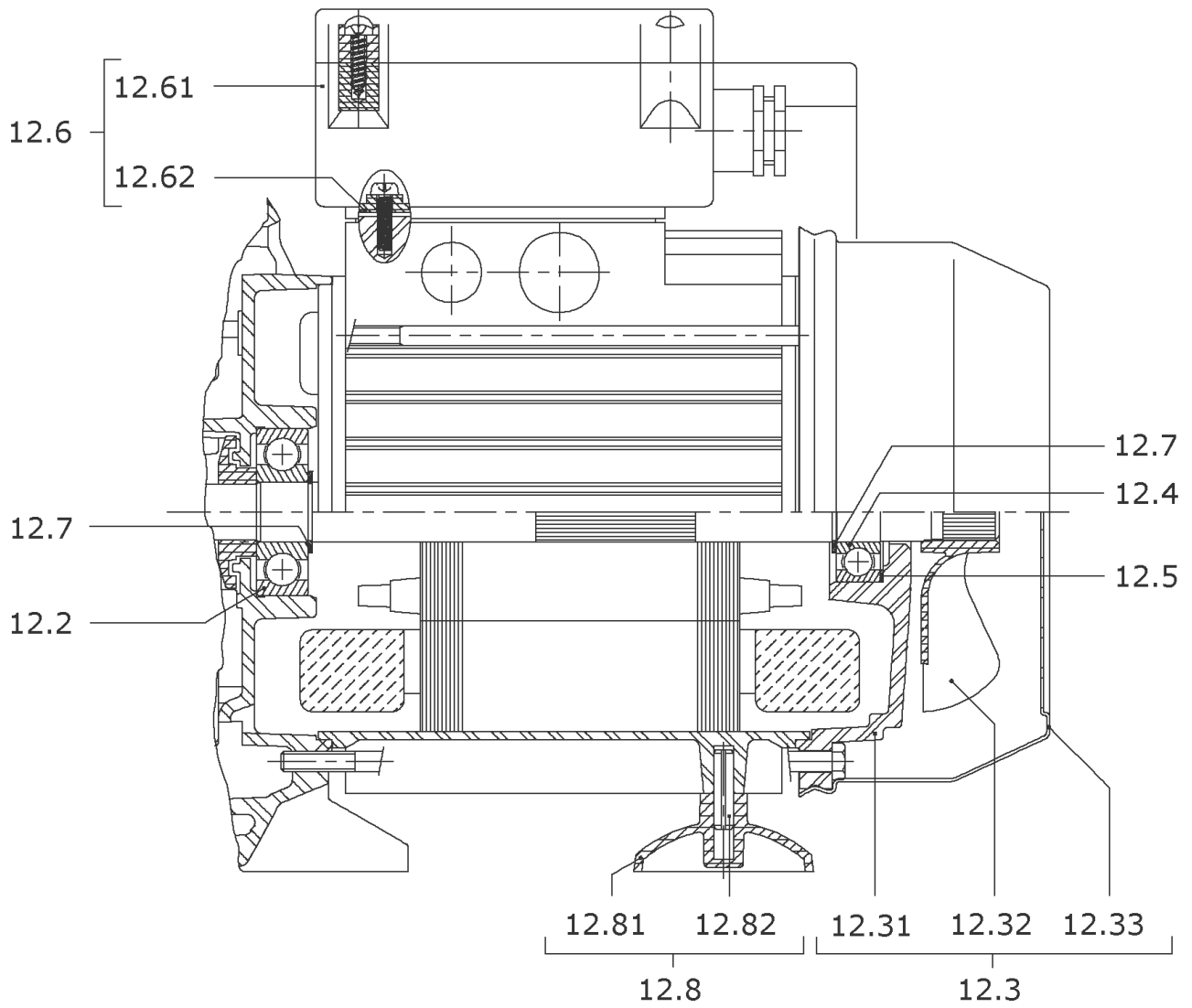
SPARE PARTS MOTOR MC304-DM/F (MG63)

Item	Article no.	Description	Quantity
12.1	4061729	END SHILD AS MP3/MP603+604 +PK.	1
12.2	122097891	BALL BEARING 6202/2Z-C3 (HT) VP.	1
12.3	2048815	FAN D.100 MG.63 MC/MP KIT	1
12.31		> REAR-BEARING-MOT63-D90	1
12.32	4233938	> Motor fan T63-71 D100 VP.	1
12.33		> FAN-COVER-MOTOR63-D90-LOCKING	1
12.4	122097891	BALL BEARING 6202/2Z-C3 (HT) VP.	1
12.5	4215742	Crinkled washer 6202/6300-C3 VP.	1
12.6	4090075	TERMINAL BOX KIT MC-DM (63)	1
12.61	4062056	> TERMINAL-BOX-COVER-MOT-TRI-63	1
12.62	4051316	> FLAT-GASKET-BAB-MOT63	1
	4057376	> TERMINAL BLOCK 40/25 6P	1
		> SCREW-CBL-Z-C/AT-ST3,5L13ZINGUE	1
	4207951	CIRCLIP D15X1 VP.	1



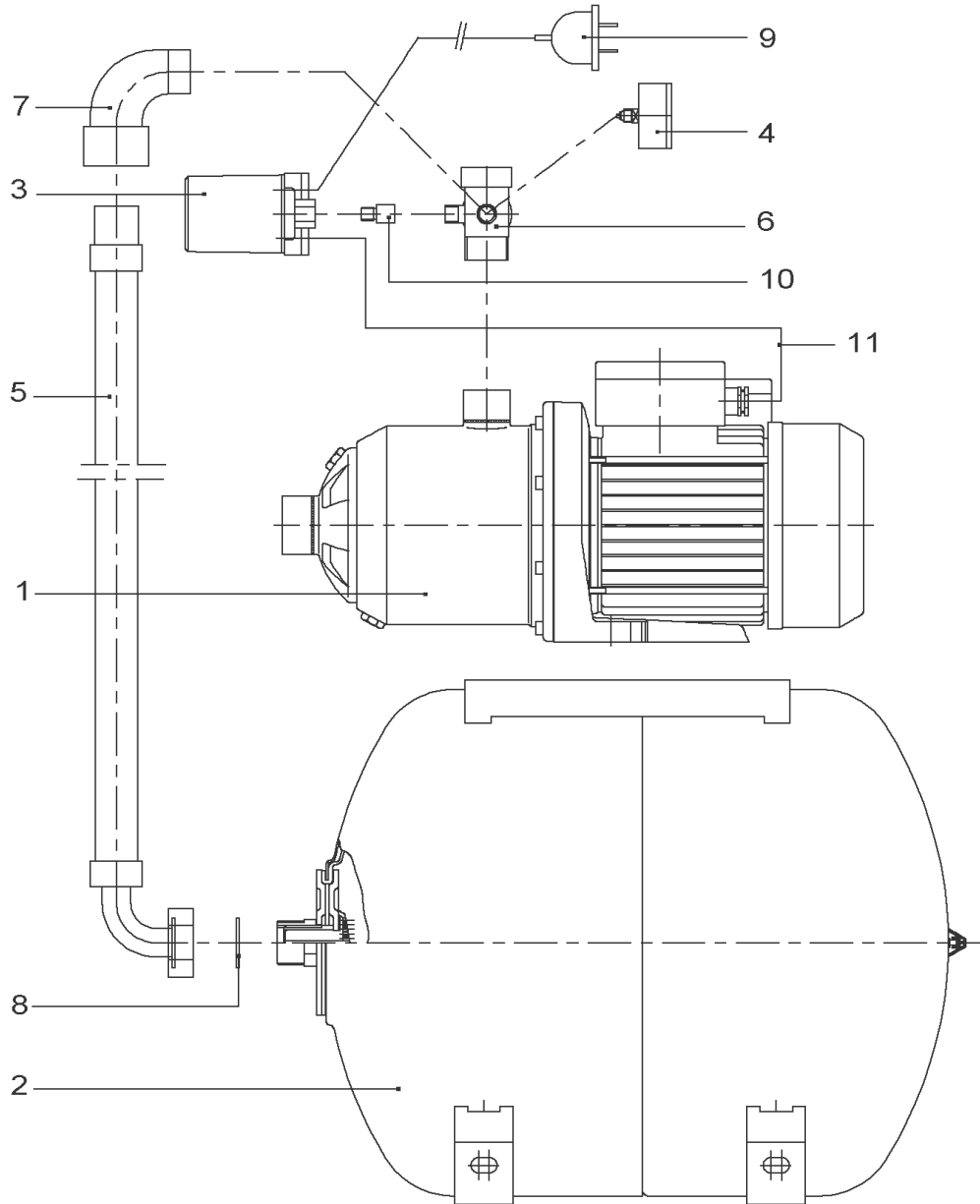
MC304-DM FROM VERSION: /G

Item	Article no.	Description	Quantity
1	4233946	PUMPHOUSING MC 4 STAGE VP.	1
2	4067351	1st STAGE KIT MC PUMP PLASTIC IMPELLER	1
Note: STAGE/ STUFE/ ETAGE: 1			
2.1	2123700	> FLAP METAL MC VP.	1
2.2		> SUCTION CASING VALVE EPDM AND STAIN.STEE	1
2.3		> IMPELLER-2M3-SP-HY-LOW-FLOW	1
2.4		> STAGE HOUSING SUPPORT VALVE	1
3	4067352	OTHERS STAGES KIT MC SILENT MASTER	1
Note: STAGE/ STUFE/ ETAGE: 2/3			
2.3		> IMPELLER-2M3-SP-HY-LOW-FLOW	1
3.1		> STAGE CASING WITH RETURN GUIDE VANE-SP	1
4	4144673	LAST STAGE KIT MC PUMP ALU LANTERN	1
Note: STAGE/ STUFE/ ETAGE: 4			
2.3		> IMPELLER-2M3-SP-HY-LOW-FLOW	1
3.1		> STAGE CASING WITH RETURN GUIDE VANE-SP	1
4.1		> DIFFUSOR STG WITH RETU CHANNEL-SP/MC	1
5	4049859	MULTICARGO PUMP MECHANICAL SEAL KIT	1
5.1	4036284	> GASKET-115X1-NITRILE	1
5.2	4017965	> O-RING D9,9X2,62 NITRILE 70SH	1
5.3	2090148	> CIRCLIP D14 MVI/MHI 316L (2 PIECES) VP.	1
		>> STOP-RUSH-1/2-D14-VMI/HMI-316	2
5.4		> DEFLECTOR D14xD22EP9 NORYL	1
5.5		> MECH.SEAL MG9/14 G60 BVPFF GM.BURGMANN	1
5.6		> THROWER 65/70SH-NITRILE	1
5.7	4233945	> O-RING ID.140 VP.	1
5.8		> THROWER-RUBBER-SH65/70	1
6	4056417	NUT M8 INOX 1.4404	1
8	4007350	SCREW M6X14 ISO4762 8.8 ZN	1
Note: PARTS/ STÜCK/ PIÈCES: 8			
10	2188170	Drain plug/o-ring G1/4" KIT	1
11	2112732	LANTERN MG63 P171 M108 VP.	1
12		SPARE PARTS MOTOR MC304-DM/G (MG63)	1
13	4004679	Stationnary Ring Holder 1.4301	1



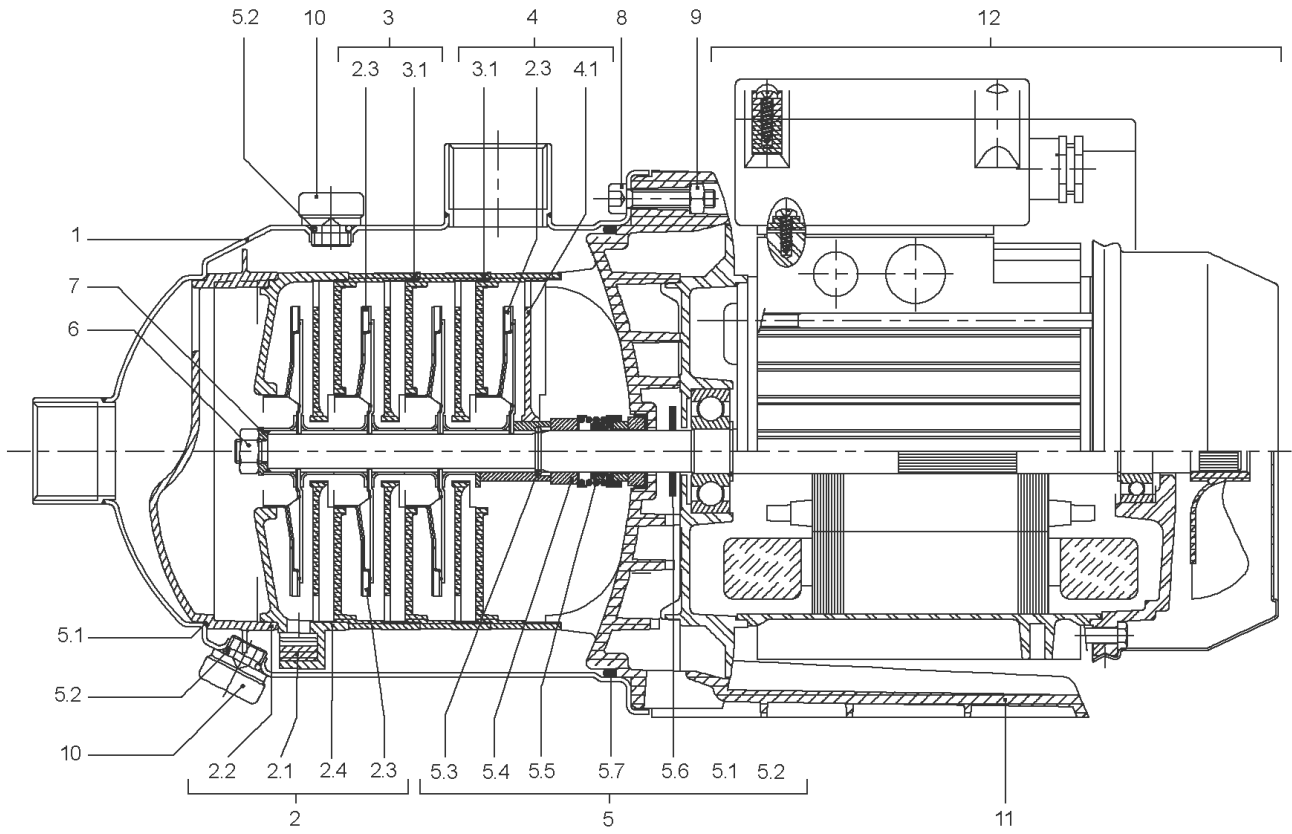
SPARE PARTS MOTOR MC304-DM/G (MG63)

Item	Article no.	Description	Quantity
12.2	122097891	BALL BEARING 6202/2Z-C3 (HT) VP.	1
12.3	2048815	FAN D.100 MG.63 MC/MP KIT	1
12.31		> REAR-BEARING-MOT63-D90	1
12.32	4233938	> Motor fan T63-71 D100 VP.	1
12.33		> FAN-COVER-MOTOR63-D90-LOCKING	1
12.4	122097891	BALL BEARING 6202/2Z-C3 (HT) VP.	1
12.5	4215742	Crinkled washer 6202/6300-C3 VP.	1
12.6	4090075	TERMINAL BOX KIT MC-DM (63)	1
12.61	4062056	> TERMINAL-BOX-COVER-MOT-TRI-63	1
12.62	4051316	> FLAT-GASKET-BAB-MOT63	1
	4057376	> TERMINAL BLOCK 40/25 6P	1
		> SCREW-CBL-Z-C/AT-ST3,5L13ZINGUE	1
12.7	4207951	CIRCLIP D15X1 VP.	1
12.8	2106089	MOTOR FOOT MG.63 KIT	1
12.81		> MOTOR-SUPPORT-63	1
12.82		> SPRING-PIN-A4L25E	1



HMC304 EM (2511904)

Item	Article no.	Description	Quantity
1		MC304-EM	1
		> MC304-EM TO VERSION: /E	1
		> MC304-EM FROM VERSION: /F	1
1	4230654	MC304-EM VP.	1
2	2027578	DIAPHRAGM VESSEL 50L PN10 HWW VP.	1
	2124000	DIAPHRAGM 50L HW ACS VP.	1
Note: for pressure vessel/für Membranbehälter/pour reservoir: 2527268			
	2132491	DIAPHRAGM 50L-HWW VP.	1
Note: for pressure vessel/für Membranbehälter/pour reservoir: 2537381			
3	2106339	PRESSURE SWITCH PM5XH05 ACS 2.2/3.5+CA.V	1
4	2027581	PRESSURE GAUGE 0-6BAR D50 G1/4"HIND INL	1
5	2027583	FLEX.HOSE R1"M(W90°)-1"F550PN10 ACS.VP.	1
6	2068034	DISTRIBUTOR BRASS R1" TYPE RCLL 91 MM	1
7	2027585	ANGLE FITTING BRASS R1" TYPE RCM/F	1
8	2042873	FLAT GASKET 21x30x2 C4400 VP.	1
9	2027591	CONNECTION CABLE HMP/ HMHI/-1~230 CPL.	1
10	2042988	THREADED EXTENSION PIECE G1/4" BRASS	1

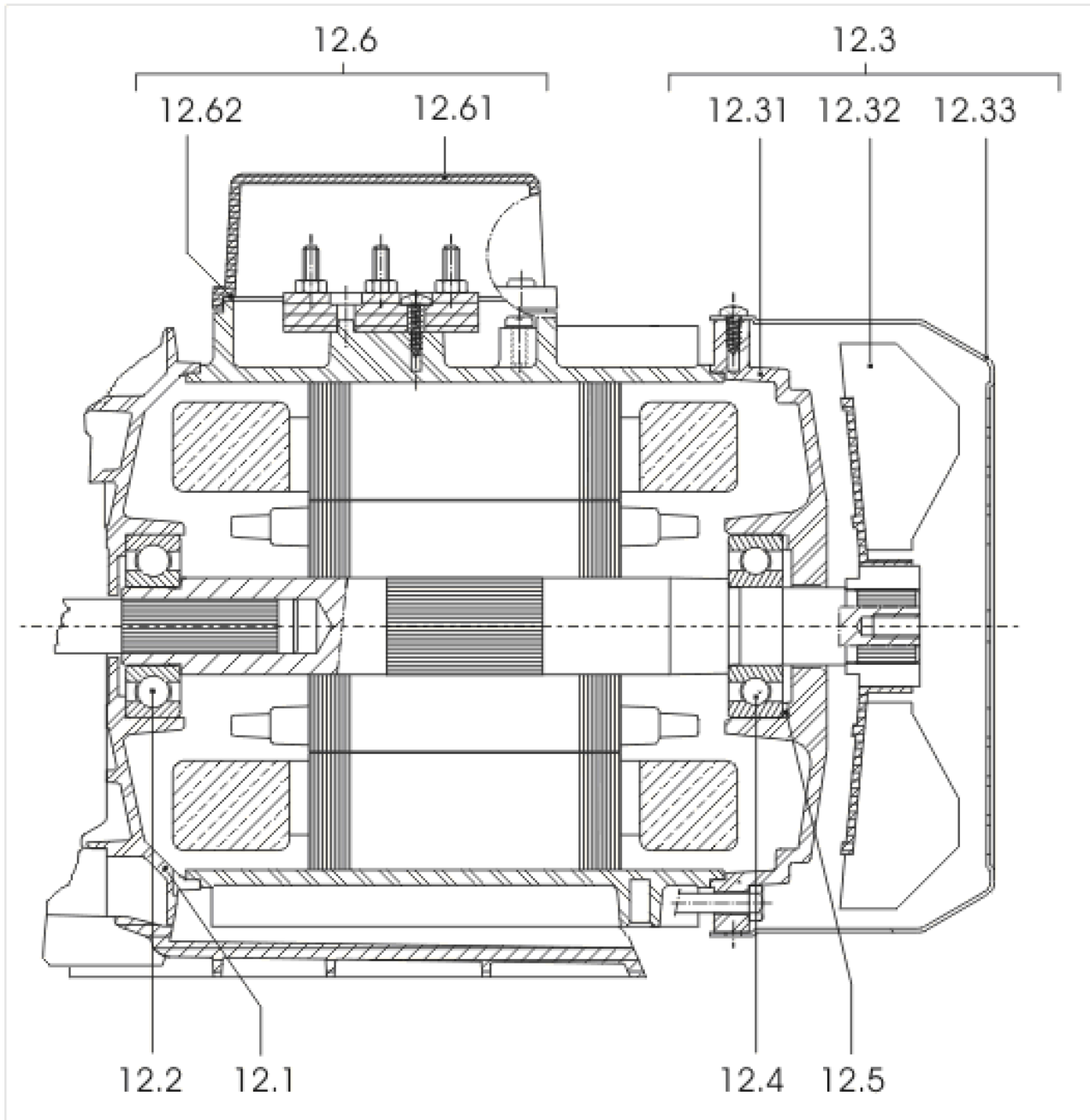


MC304-EM TO VERSION: /E

Item	Article no.	Description	Quantity
1	4233946	PUMPHOUSING MC 4 STAGE VP.	1
2	4054533	MC304-305 PUMP 1st STAGE KIT New range	1
Note: STAGE/ STUFE/ ETAGE: 1			
2.1	2123700	> FLAP METAL MC VP.	1
2.2		> SUCTION CASING VALVE EPDM AND STAIN.STEE	1
2.3		> IMPELLER MVI2 D.98x2 1.4301	1
2.4		> STAGE HOUSING SUPPORT VALVE	1
2	4067351	1st STAGE KIT MC PUMP PLASTIC IMPELLER	1
Note: STAGE/ STUFE/ ETAGE: 1FROM/ AB/ À PARTIR DE: MC304-EM/E			
2.1	2123700	> FLAP METAL MC VP.	1
2.2		> SUCTION CASING VALVE EPDM AND STAIN.STEE	1
2.3		> IMPELLER-2M3-SP-HY-LOW-FLOW	1
2.4		> STAGE HOUSING SUPPORT VALVE	1
3	4054534	MC304-305 PUMP OTHERS STAGES KIT New ran	1
Note: STAGE/ STUFE/ ETAGE: 2/3			
2.3		> IMPELLER MVI2 D.98x2 1.4301	1
3.1		> STAGE CASING WITH RETURN GUIDE VANE-SP	1
3	4067352	OTHERS STAGES KIT MC SILENT MASTER	1
Note: STAGE/ STUFE/ ETAGE: 2/3FROM/ AB/ À PARTIR DE: MC304-EM/E			
2.3		> IMPELLER-2M3-SP-HY-LOW-FLOW	1
3.1		> STAGE CASING WITH RETURN GUIDE VANE-SP	1
4	4054535	LAST STAGE KIT MC304-305 PUMP New range	1
Note: STAGE/ STUFE/ ETAGE: 4			
2.3		> IMPELLER MVI2 D.98x2 1.4301	1
3.1		> STAGE CASING WITH RETURN GUIDE VANE-SP	1
4.1		> CANAL-RET-ULTEM2300	1
4	4067353	LAST STAGE KIT MC PUMP PLASTIC IMPELL	1
Note: STAGE/ STUFE/ ETAGE: 4FROM/ AB/ À PARTIR DE: MC304-EM/E			
2.3		> IMPELLER-2M3-SP-HY-LOW-FLOW	1
3.1		> STAGE CASING WITH RETURN GUIDE VANE-SP	1
4.1		> CANAL-RET-ULTEM2300	1
5	4049859	MULTICARGO PUMP MECHANICAL SEAL KIT	1
5.1	4036284	> GASKET-115X1-NITRILE	1
5.2	4017965	> O-RING D9,9X2,62 NITRILE 70SH	1

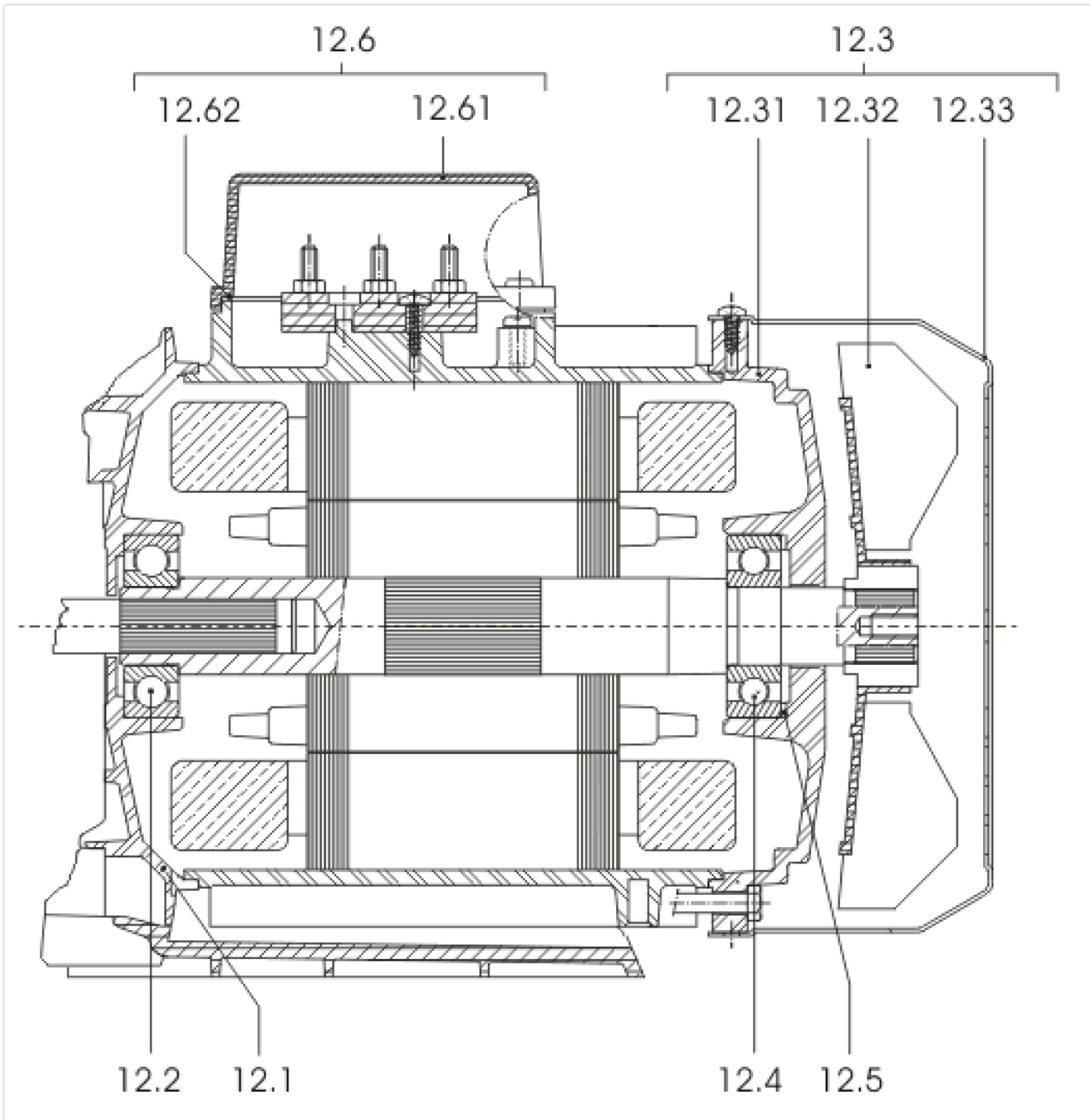
MC304-EM TO VERSION: /E

Item	Article no.	Description	Quantity
5.3	2090148	> CIRCLIP D14 MVI/MHI 316L (2 PIECES) VP.	1
		>> STOP-RUSH-1/2-D14-VMI/HMI-316	2
5.4		> DEFLECTOR D14xD22EP9 NORYL	1
5.5		> MECH.SEAL MG9/14 G60 BVPFF GM.BURGMANN	1
5.6		> THROWER 65/70SH-NITRILE	1
5.7	4233945	> O-RING ID.140 VP.	1
5.8		> THROWER-RUBBER-SH65/70	1
6	4056417	NUT M8 INOX 1.4404	1
7	74960033407	DISC MP3/6+MC3/6	1
8	4031762	SCREW M6X30 ISO4762 8.8 ZN	1
Note: PARTS/ STÜCK/ PIÈCES: 8			
9	4031766	NUT M6 MP3/6	1
Note: PARTS/ STÜCK/ PIÈCES: 8			
10	2188170	Drain plug/o-ring G1/4" KIT	1
11	4045110	LANTERN BRACKET	1
12		SPARE PARTS MOTOR MC304-EM/ -D (MG71)	1
12		SPARE PARTS MOTOR MC304-EM/E (MG63)	1



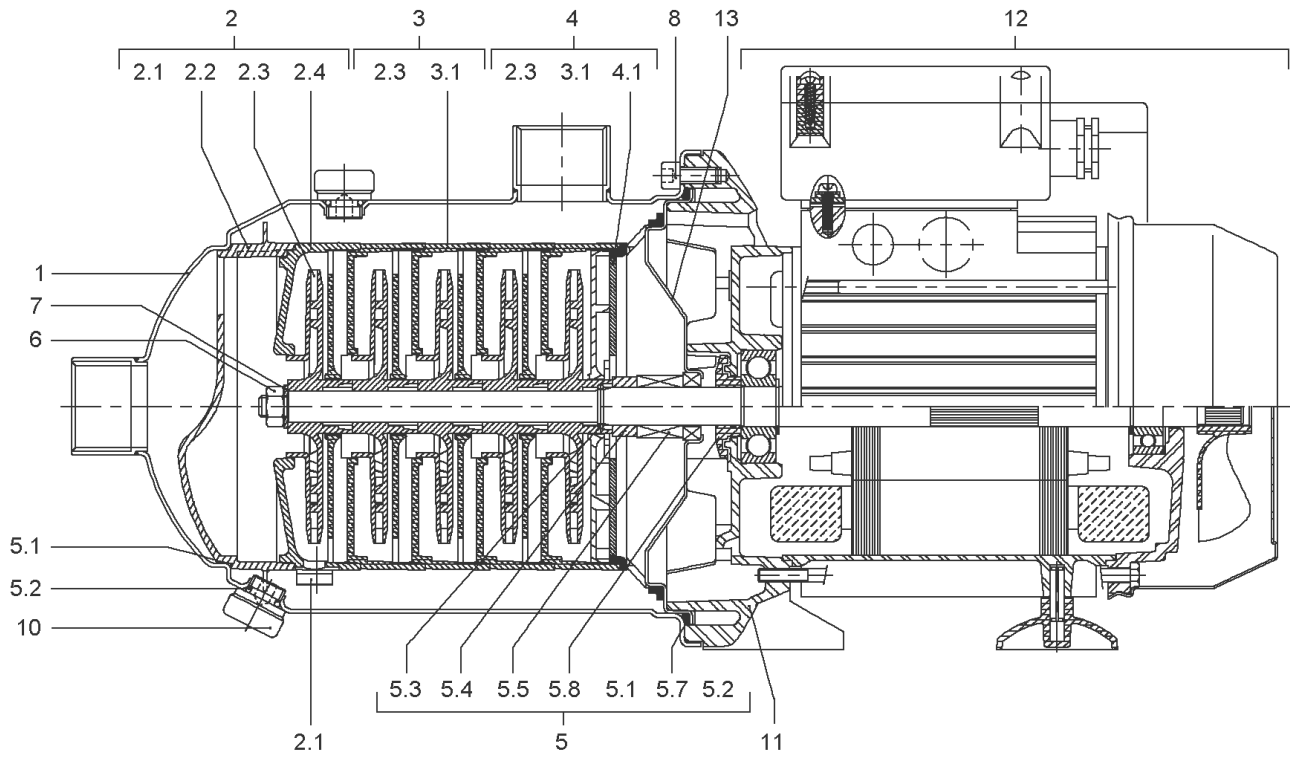
SPARE PARTS MOTOR MC304-EM/ -D (MG71)

Item	Article no.	Description	Quantity
12.1	4028055	END SHILD AS MP3/MP603+604 +PK.	1
7.6	4185162	BALL-BEARING-6302-C3-DDU-E-EA6 VP.	1
12.3	2048812	FAN D.110 MG.71 MC KIT	1
12.31		> REAR-BEARING-MOT71-D110-LOCKING	1
12.32	4233938	> Motor fan T63-71 D100 VP.	1
12.33	4202863	> FAN-COVER-MOTOR71-D110-LOCKING VP.	1
12.4	122097891	BALL BEARING 6202/2Z-C3 (HT) VP.	1
12.5	4215742	Crinkled washer 6202/6300-C3 VP.	1
12.61	4007672	TERMINAL-BOX-COVER-MOT-MONO-71	1
12.62	4209688	Flat-Gasket-BAB-MOT71 VP.	1
	2132532	CAPACITOR 12MF 470V CA.LG.210 V1EC1 VP.	1
	4207951	CIRCLIP D15X1 VP.	1



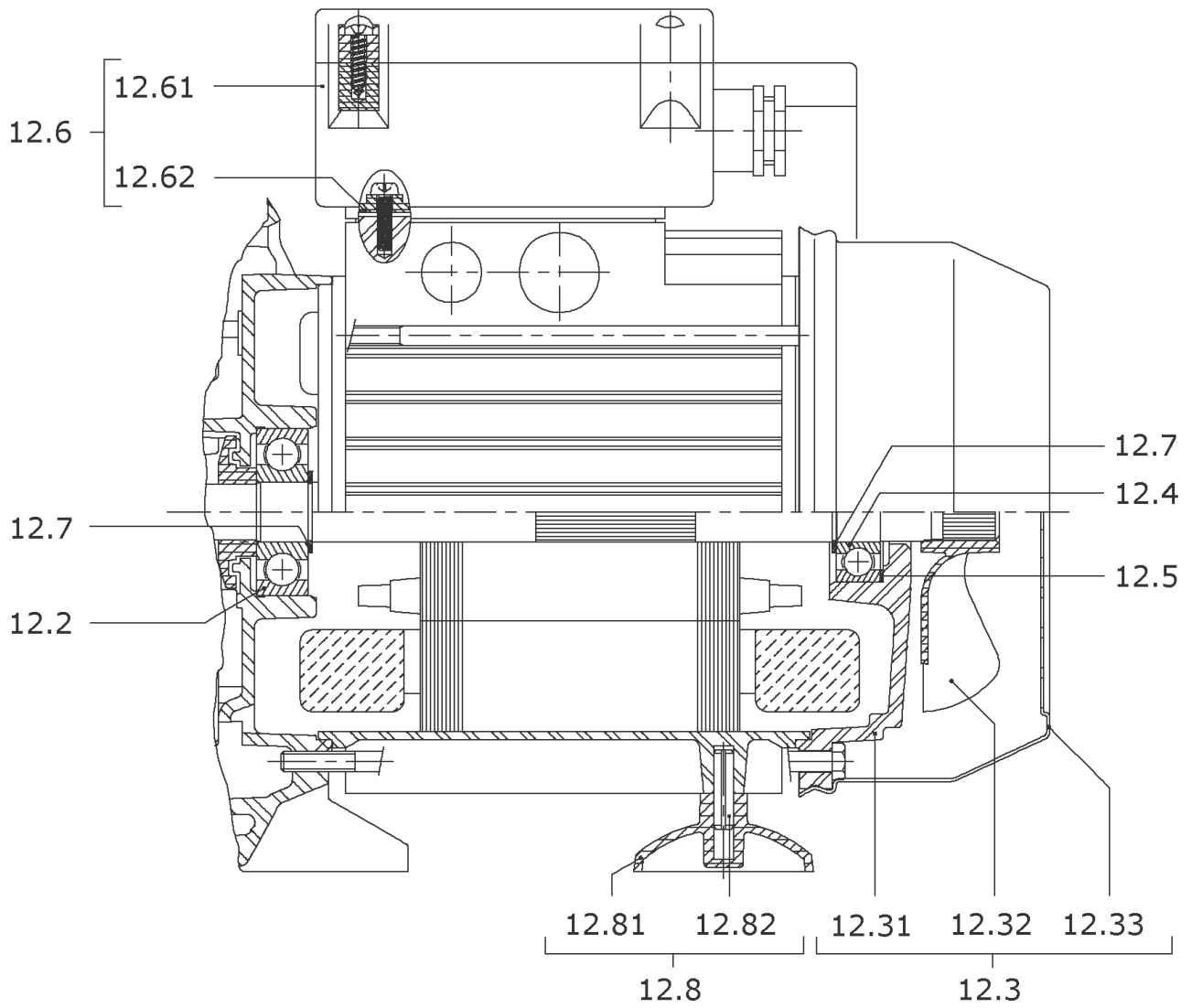
SPARE PARTS MOTOR MC304-EM/E (MG63)

Item	Article no.	Description	Quantity
12.1	4061729	END SHILD AS MP3/MP603+604 +PK.	1
12.2	122097891	BALL BEARING 6202/2Z-C3 (HT) VP.	1
12.3	2048815	FAN D.100 MG.63 MC/MP KIT	1
12.31		> REAR-BEARING-MOT63-D90	1
12.32	4233938	> Motor fan T63-71 D100 VP.	1
12.33		> FAN-COVER-MOTOR63-D90-LOCKING	1
12.4	122097891	BALL BEARING 6202/2Z-C3 (HT) VP.	1
12.5	4215742	Crinkled washer 6202/6300-C3 VP.	1
12.6	4090072	TERMINAL BOX KIT MC-EM (63)	1
12.61	4062055	> TERMINAL-BOX-COVER-MOT-MONO-63	1
12.62	4051316	> FLAT-GASKET-BAB-MOT63	1
	2132532	> CAPACITOR 12MF 470V CA.LG.210 V1EC1 VP.	1
	4057375	> TERMINAL BLOCK 40/25 3P	1
		> SCREW F.KKD.(MHI2/4/8)	1
		> NUT-HM4-BRASS	1
	4207951	CIRCLIP D15X1 VP.	1



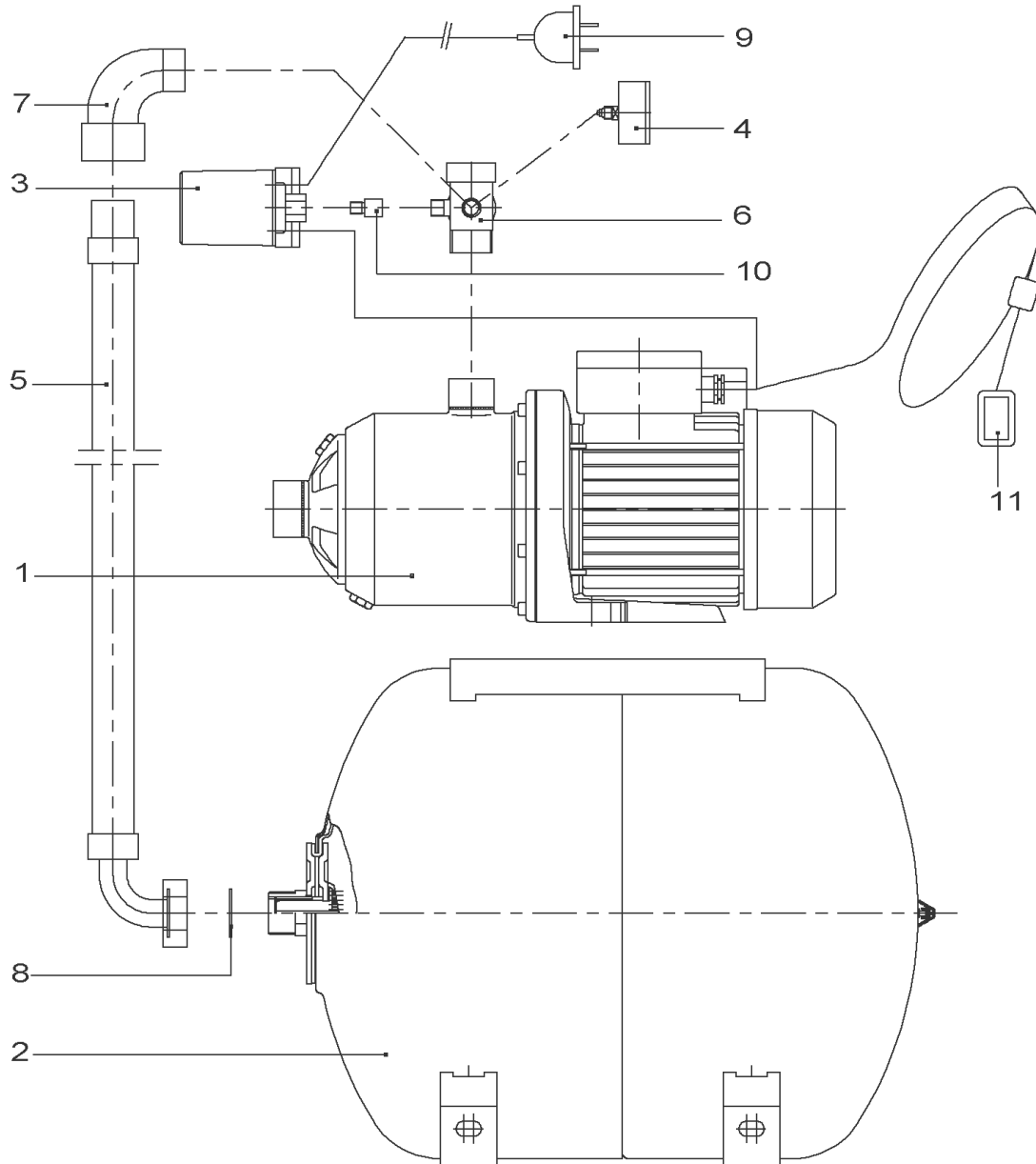
MC304-EM FROM VERSION: /F

Item	Article no.	Description	Quantity
1	4233946	PUMPHOUSING MC 4 STAGE VP.	1
2	4067351	1st STAGE KIT MC PUMP PLASTIC IMPELLER	1
Note: STAGE/ STUFE/ ETAGE: 1			
2.1	2123700	> FLAP METAL MC VP.	1
2.2		> SUCTION CASING VALVE EPDM AND STAIN.STEE	1
2.3		> IMPELLER-2M3-SP-HY-LOW-FLOW	1
2.4		> STAGE HOUSING SUPPORT VALVE	1
3	4067352	OTHERS STAGES KIT MC SILENT MASTER	1
Note: STAGE/ STUFE/ ETAGE: 2/3			
2.3		> IMPELLER-2M3-SP-HY-LOW-FLOW	1
3.1		> STAGE CASING WITH RETURN GUIDE VANE-SP	1
4	4144673	LAST STAGE KIT MC PUMP ALU LANTERN	1
Note: STAGE/ STUFE/ ETAGE: 4			
2.3		> IMPELLER-2M3-SP-HY-LOW-FLOW	1
3.1		> STAGE CASING WITH RETURN GUIDE VANE-SP	1
4.1		> DIFFUSOR STG WITH RETU CHANNEL-SP/MC	1
5	4049859	MULTICARGO PUMP MECHANICAL SEAL KIT	1
5.1	4036284	> GASKET-115X1-NITRILE	1
5.2	4017965	> O-RING D9,9X2,62 NITRILE 70SH	1
5.3	2090148	> CIRCLIP D14 MVI/MHI 316L (2 PIECES) VP.	1
		>> STOP-RUSH-1/2-D14-VMI/HMI-316	2
5.4		> DEFLECTOR D14xD22EP9 NORYL	1
5.5		> MECH.SEAL MG9/14 G60 BVPFF GM.BURGMANN	1
5.6		> THROWER 65/70SH-NITRILE	1
5.7	4233945	> O-RING ID.140 VP.	1
5.8		> THROWER-RUBBER-SH65/70	1
6	4056417	NUT M8 INOX 1.4404	1
8	4007350	SCREW M6X14 ISO4762 8.8 ZN	1
Note: PARTS/ STÜCK/ PIÈCES: 8			
10	2188170	Drain plug/o-ring G1/4" KIT	1
11	2112732	LANTERN MG63 P171 M108 VP.	1
12		SPARE PARTS MOTOR MC304-EM/F (MG63)	1
13	4004679	Stationnary Ring Holder 1.4301	1



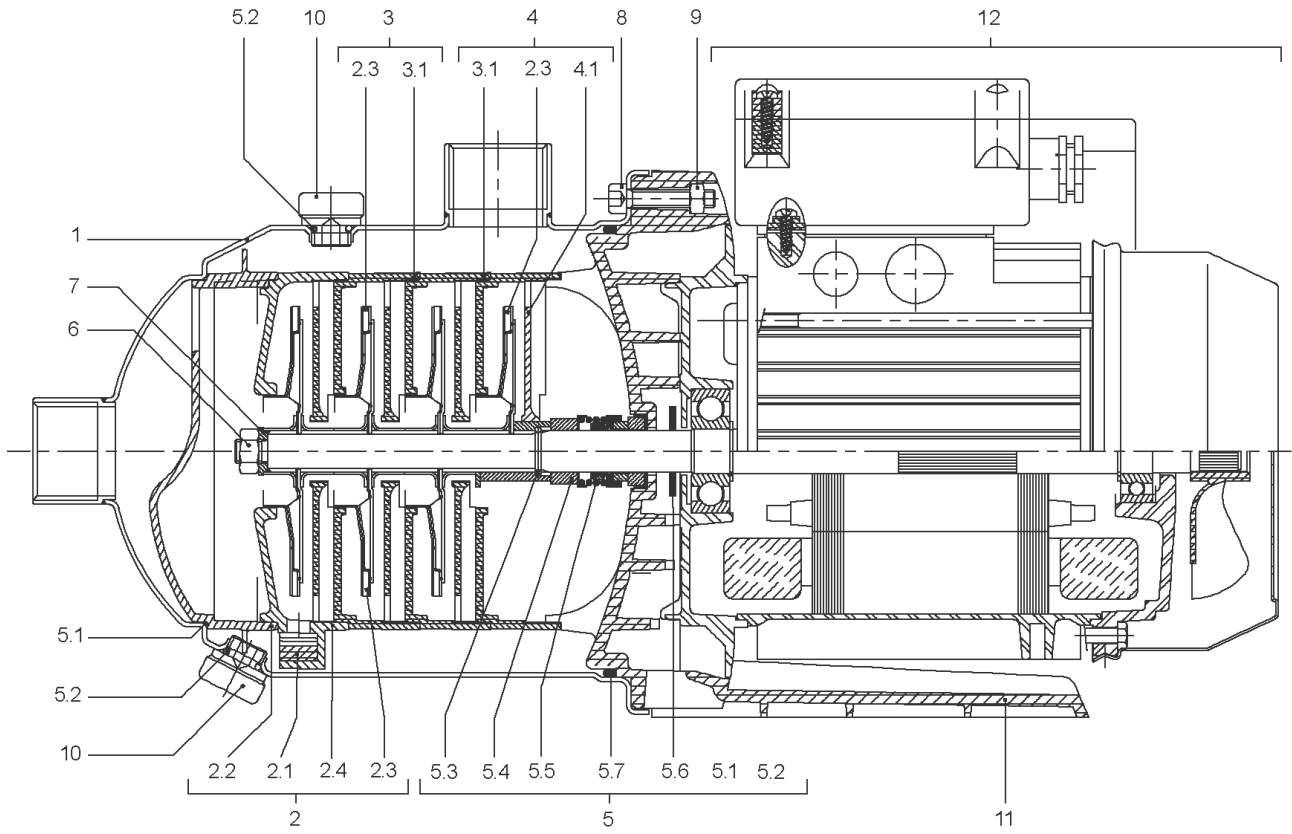
SPARE PARTS MOTOR MC304-EM/F (MG63)

Item	Article no.	Description	Quantity
12.2	122097891	BALL BEARING 6202/2Z-C3 (HT) VP.	1
12.3	2048815	FAN D.100 MG.63 MC/MP KIT	1
12.31		> REAR-BEARING-MOT63-D90	1
12.32	4233938	> Motor fan T63-71 D100 VP.	1
12.33		> FAN-COVER-MOTOR63-D90-LOCKING	1
12.4	122097891	BALL BEARING 6202/2Z-C3 (HT) VP.	1
12.5	4215742	Crinkled washer 6202/6300-C3 VP.	1
12.6	4090072	TERMINAL BOX KIT MC-EM (63)	1
12.61	4062055	> TERMINAL-BOX-COVER-MOT-MONO-63	1
12.62	4051316	> FLAT-GASKET-BAB-MOT63	1
	2132532	> CAPACITOR 12MF 470V CA.LG.210 V1EC1 VP.	1
	4057375	> TERMINAL BLOCK 40/25 3P	1
		> SCREW F.KKD.(MHI2/4/8)	1
		> NUT-HM4-BRASS	1
12.7	4207951	CIRCLIP D15X1 VP.	1
12.8	2106089	MOTOR FOOT MG.63 KIT	1
12.81		> MOTOR-SUPPORT-63	1
12.82		> SPRING-PIN-A4L25E	1



HMC304 EM -TR (2512320)

Item	Article no.	Description	Quantity
1		MC304-EM	1
		> MC304-EM TO VERSION: /E	1
		> MC304-EM FROM VERSION: /F	1
1	4230654	MC304-EM VP.	1
2	2027578	DIAPHRAGM VESSEL 50L PN10 HWW VP.	1
	2124000	DIAPHRAGM 50L HW ACS VP.	1
Note: for pressure vessel/für Membranbehälter/pour reservoir: 2527268			
	2132491	DIAPHRAGM 50L-HWW VP.	1
Note: for pressure vessel/für Membranbehälter/pour reservoir: 2537381			
3	2106339	PRESSURE SWITCH PM5XH05 ACS 2.2/3.5+CA.V	1
4	2027581	PRESSURE GAUGE 0-6BAR D50 G1/4"HIND INL	1
5	2027583	FLEX.HOSE R1"M(W90°)-1"F550PN10 ACS.VP.	1
6	2068034	DISTRIBUTOR BRASS R1" TYPE RCLL 91 MM	1
7	2027585	ANGLE FITTING BRASS R1" TYPE RCM/F	1
8	2042873	FLAT GASKET 21x30x2 C4400 VP.	1
9	2027591	CONNECTION CABLE HMP/ HMHI/-1~230 CPL.	1
10	2042988	THREADED EXTENSION PIECE G1/4" BRASS	1
11	2042895	CONNECTION SET HMP/C3 /HMHI2 TR	1

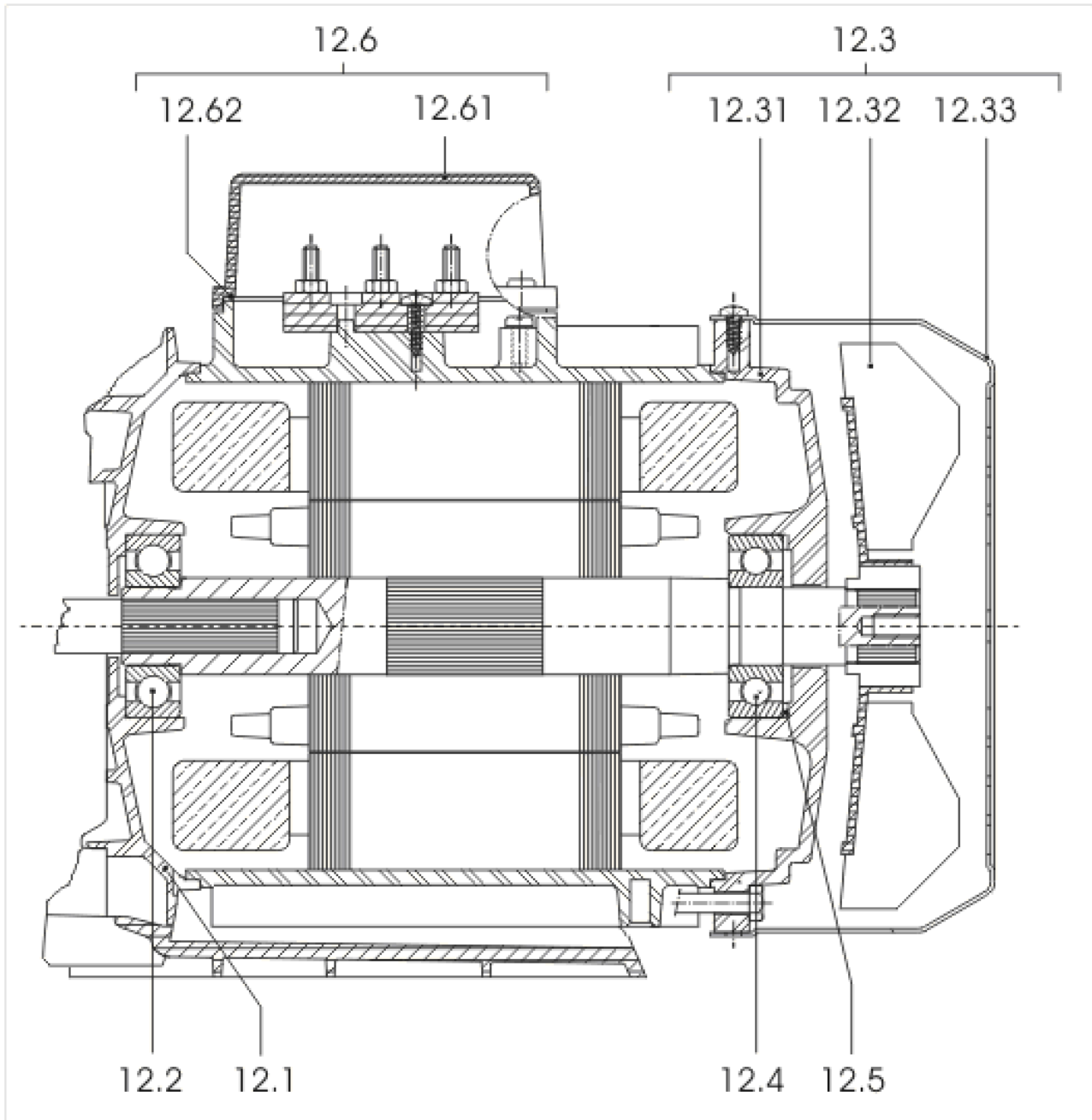


MC304-EM TO VERSION: /E

Item	Article no.	Description	Quantity
1	4233946	PUMPHOUSING MC 4 STAGE VP.	1
2	4054533	MC304-305 PUMP 1st STAGE KIT New range	1
Note: STAGE/ STUFE/ ETAGE: 1			
2.1	2123700	> FLAP METAL MC VP.	1
2.2		> SUCTION CASING VALVE EPDM AND STAIN.STEE	1
2.3		> IMPELLER MVI2 D.98x2 1.4301	1
2.4		> STAGE HOUSING SUPPORT VALVE	1
2	4067351	1st STAGE KIT MC PUMP PLASTIC IMPELLER	1
Note: STAGE/ STUFE/ ETAGE: 1FROM/ AB/ À PARTIR DE: MC304-EM/E			
2.1	2123700	> FLAP METAL MC VP.	1
2.2		> SUCTION CASING VALVE EPDM AND STAIN.STEE	1
2.3		> IMPELLER-2M3-SP-HY-LOW-FLOW	1
2.4		> STAGE HOUSING SUPPORT VALVE	1
3	4054534	MC304-305 PUMP OTHERS STAGES KIT New ran	1
Note: STAGE/ STUFE/ ETAGE: 2/3			
2.3		> IMPELLER MVI2 D.98x2 1.4301	1
3.1		> STAGE CASING WITH RETURN GUIDE VANE-SP	1
3	4067352	OTHERS STAGES KIT MC SILENT MASTER	1
Note: STAGE/ STUFE/ ETAGE: 2/3FROM/ AB/ À PARTIR DE: MC304-EM/E			
2.3		> IMPELLER-2M3-SP-HY-LOW-FLOW	1
3.1		> STAGE CASING WITH RETURN GUIDE VANE-SP	1
4	4054535	LAST STAGE KIT MC304-305 PUMP New range	1
Note: STAGE/ STUFE/ ETAGE: 4			
2.3		> IMPELLER MVI2 D.98x2 1.4301	1
3.1		> STAGE CASING WITH RETURN GUIDE VANE-SP	1
4.1		> CANAL-RET-ULTEM2300	1
4	4067353	LAST STAGE KIT MC PUMP PLASTIC IMPELL	1
Note: STAGE/ STUFE/ ETAGE: 4FROM/ AB/ À PARTIR DE: MC304-EM/E			
2.3		> IMPELLER-2M3-SP-HY-LOW-FLOW	1
3.1		> STAGE CASING WITH RETURN GUIDE VANE-SP	1
4.1		> CANAL-RET-ULTEM2300	1
5	4049859	MULTICARGO PUMP MECHANICAL SEAL KIT	1
5.1	4036284	> GASKET-115X1-NITRILE	1
5.2	4017965	> O-RING D9,9X2,62 NITRILE 70SH	1

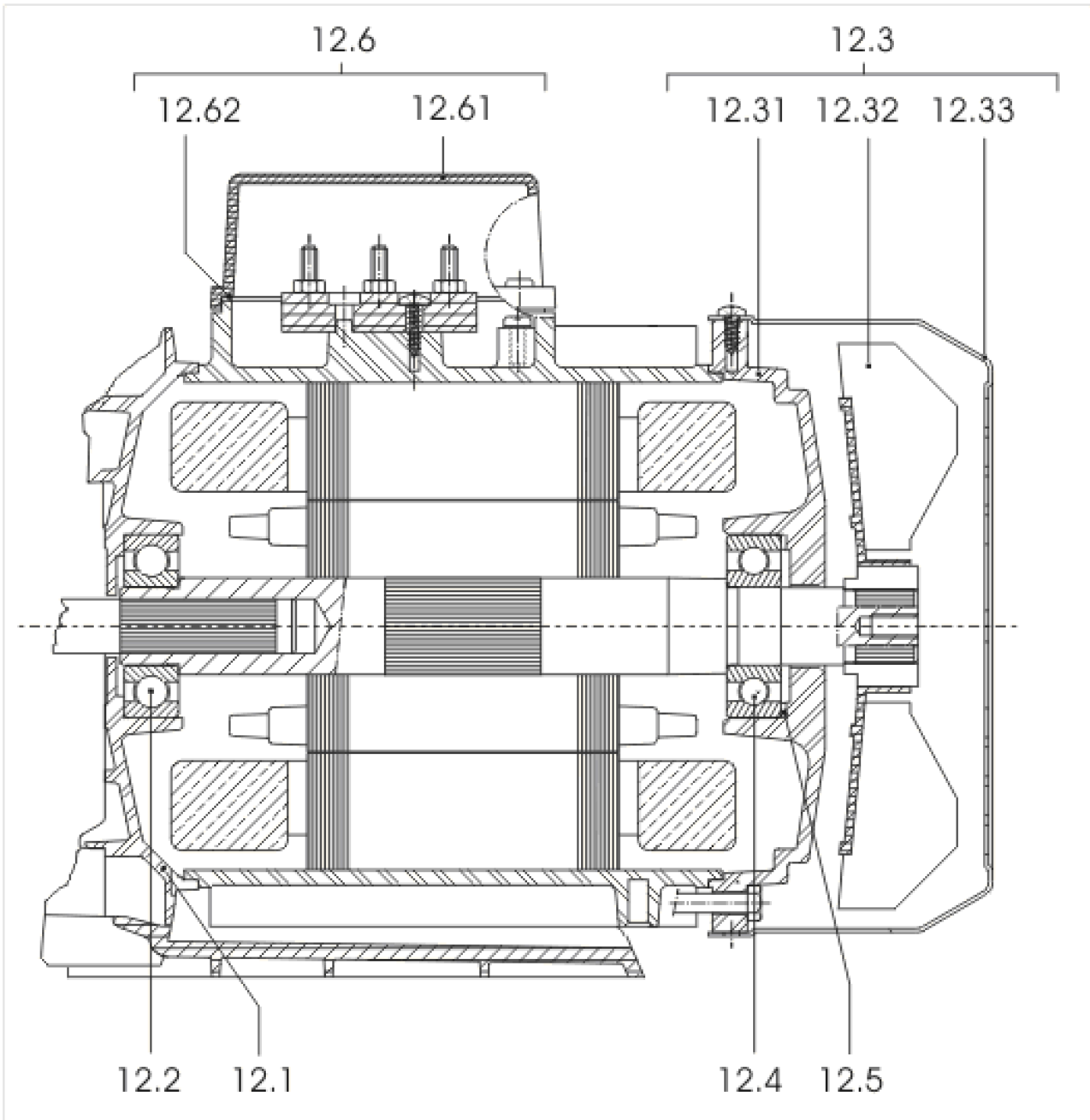
MC304-EM TO VERSION: /E

Item	Article no.	Description	Quantity
5.3	2090148	> CIRCLIP D14 MVI/MHI 316L (2 PIECES) VP.	1
		>> STOP-RUSH-1/2-D14-VMI/HMI-316	2
5.4		> DEFLECTOR D14xD22EP9 NORYL	1
5.5		> MECH.SEAL MG9/14 G60 BVPFF GM.BURGMANN	1
5.6		> THROWER 65/70SH-NITRILE	1
5.7	4233945	> O-RING ID.140 VP.	1
5.8		> THROWER-RUBBER-SH65/70	1
6	4056417	NUT M8 INOX 1.4404	1
7	74960033407	DISC MP3/6+MC3/6	1
8	4031762	SCREW M6X30 ISO4762 8.8 ZN	1
Note: PARTS/ STÜCK/ PIÈCES: 8			
9	4031766	NUT M6 MP3/6	1
Note: PARTS/ STÜCK/ PIÈCES: 8			
10	2188170	Drain plug/o-ring G1/4" KIT	1
11	4045110	LANTERN BRACKET	1
12		SPARE PARTS MOTOR MC304-EM/ -D (MG71)	1
12		SPARE PARTS MOTOR MC304-EM/E (MG63)	1



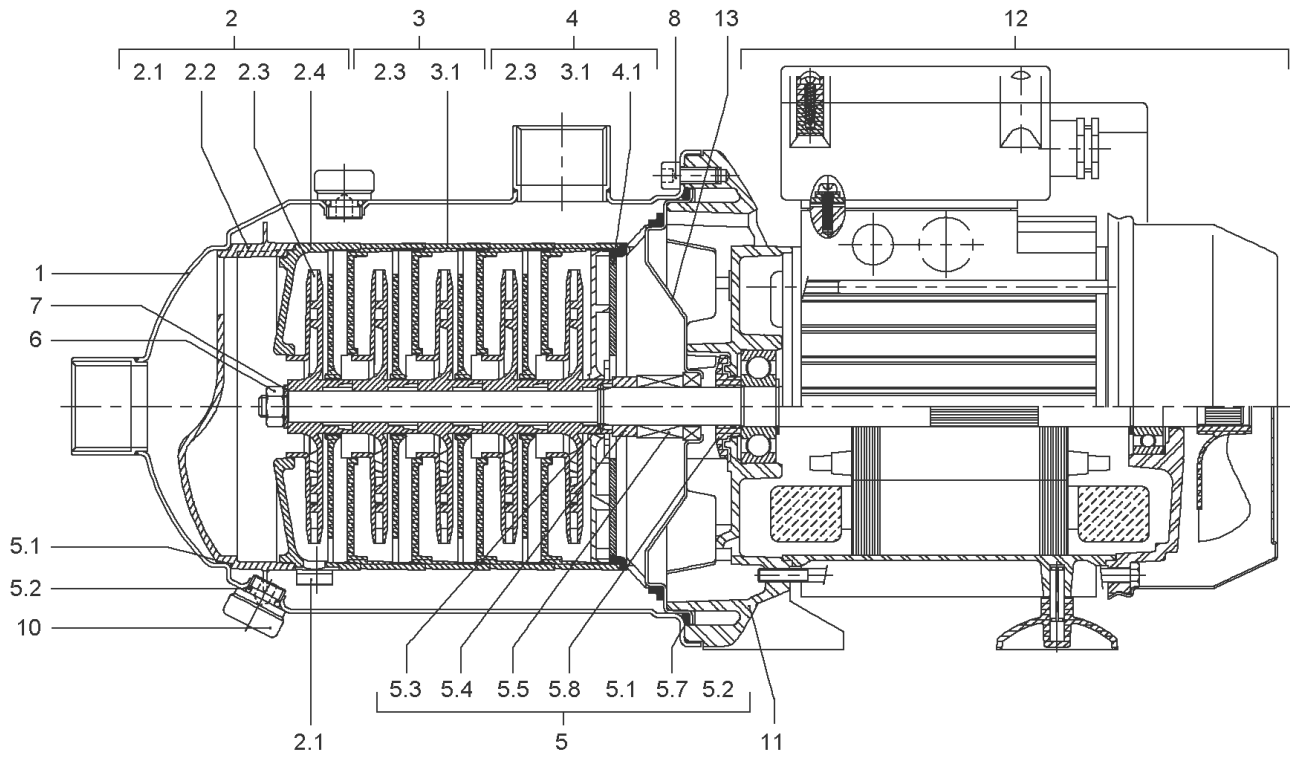
SPARE PARTS MOTOR MC304-EM/ -D (MG71)

Item	Article no.	Description	Quantity
12.1	4028055	END SHILD AS MP3/MP603+604 +PK.	1
7.6	4185162	BALL-BEARING-6302-C3-DDU-E-EA6 VP.	1
12.3	2048812	FAN D.110 MG.71 MC KIT	1
12.31		> REAR-BEARING-MOT71-D110-LOCKING	1
12.32	4233938	> Motor fan T63-71 D100 VP.	1
12.33	4202863	> FAN-COVER-MOTOR71-D110-LOCKING VP.	1
12.4	122097891	BALL BEARING 6202/2Z-C3 (HT) VP.	1
12.5	4215742	Crinkled washer 6202/6300-C3 VP.	1
12.61	4007672	TERMINAL-BOX-COVER-MOT-MONO-71	1
12.62	4209688	Flat-Gasket-BAB-MOT71 VP.	1
	2132532	CAPACITOR 12MF 470V CA.LG.210 V1EC1 VP.	1
	4207951	CIRCLIP D15X1 VP.	1



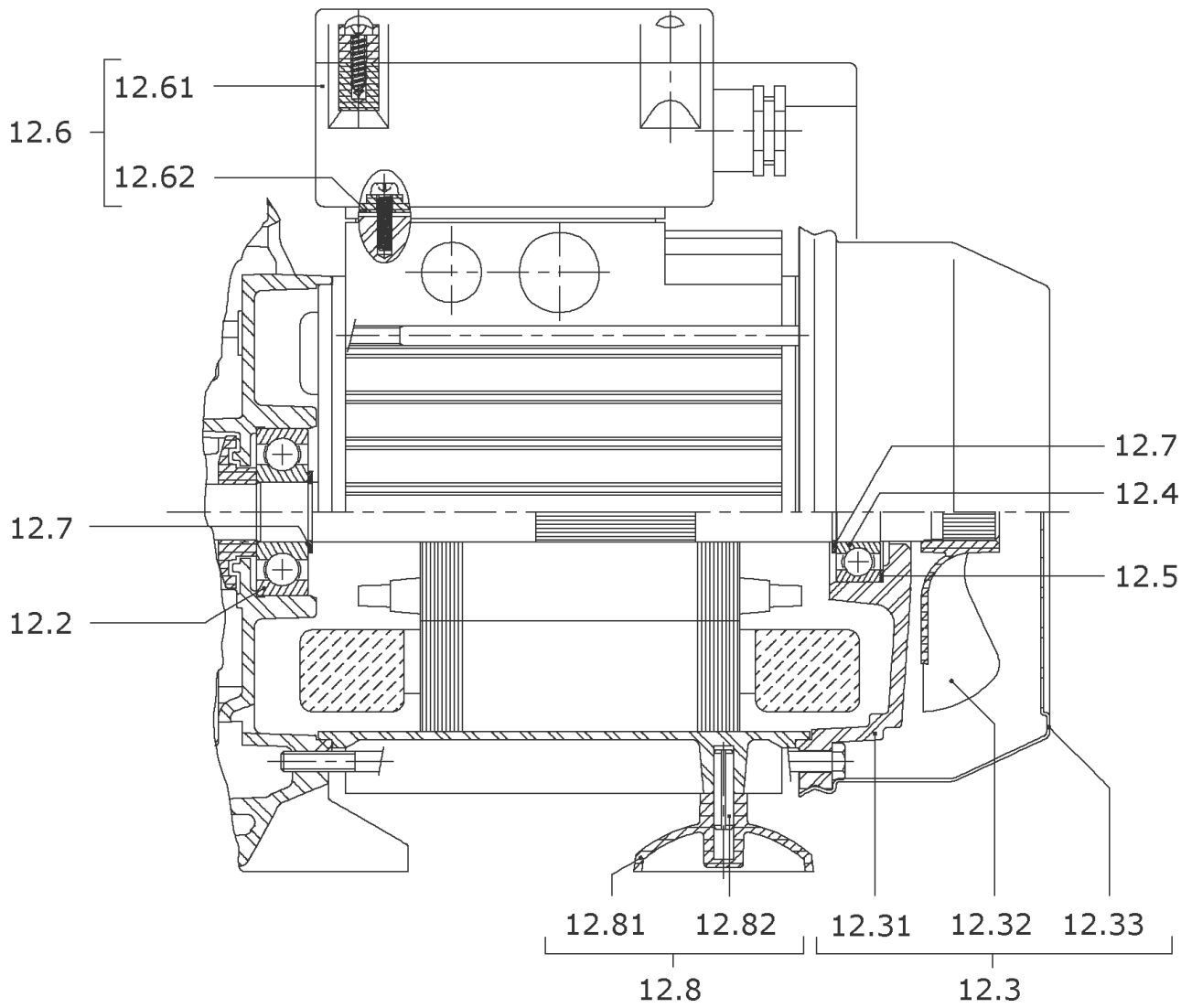
SPARE PARTS MOTOR MC304-EM/E (MG63)

Item	Article no.	Description	Quantity
12.1	4061729	END SHILD AS MP3/MP603+604 +PK.	1
12.2	122097891	BALL BEARING 6202/2Z-C3 (HT) VP.	1
12.3	2048815	FAN D.100 MG.63 MC/MP KIT	1
12.31		> REAR-BEARING-MOT63-D90	1
12.32	4233938	> Motor fan T63-71 D100 VP.	1
12.33		> FAN-COVER-MOTOR63-D90-LOCKING	1
12.4	122097891	BALL BEARING 6202/2Z-C3 (HT) VP.	1
12.5	4215742	Crinkled washer 6202/6300-C3 VP.	1
12.6	4090072	TERMINAL BOX KIT MC-EM (63)	1
12.61	4062055	> TERMINAL-BOX-COVER-MOT-MONO-63	1
12.62	4051316	> FLAT-GASKET-BAB-MOT63	1
	2132532	> CAPACITOR 12MF 470V CA.LG.210 V1EC1 VP.	1
	4057375	> TERMINAL BLOCK 40/25 3P	1
		> SCREW F.KKD.(MHI2/4/8)	1
		> NUT-HM4-BRASS	1
	4207951	CIRCLIP D15X1 VP.	1



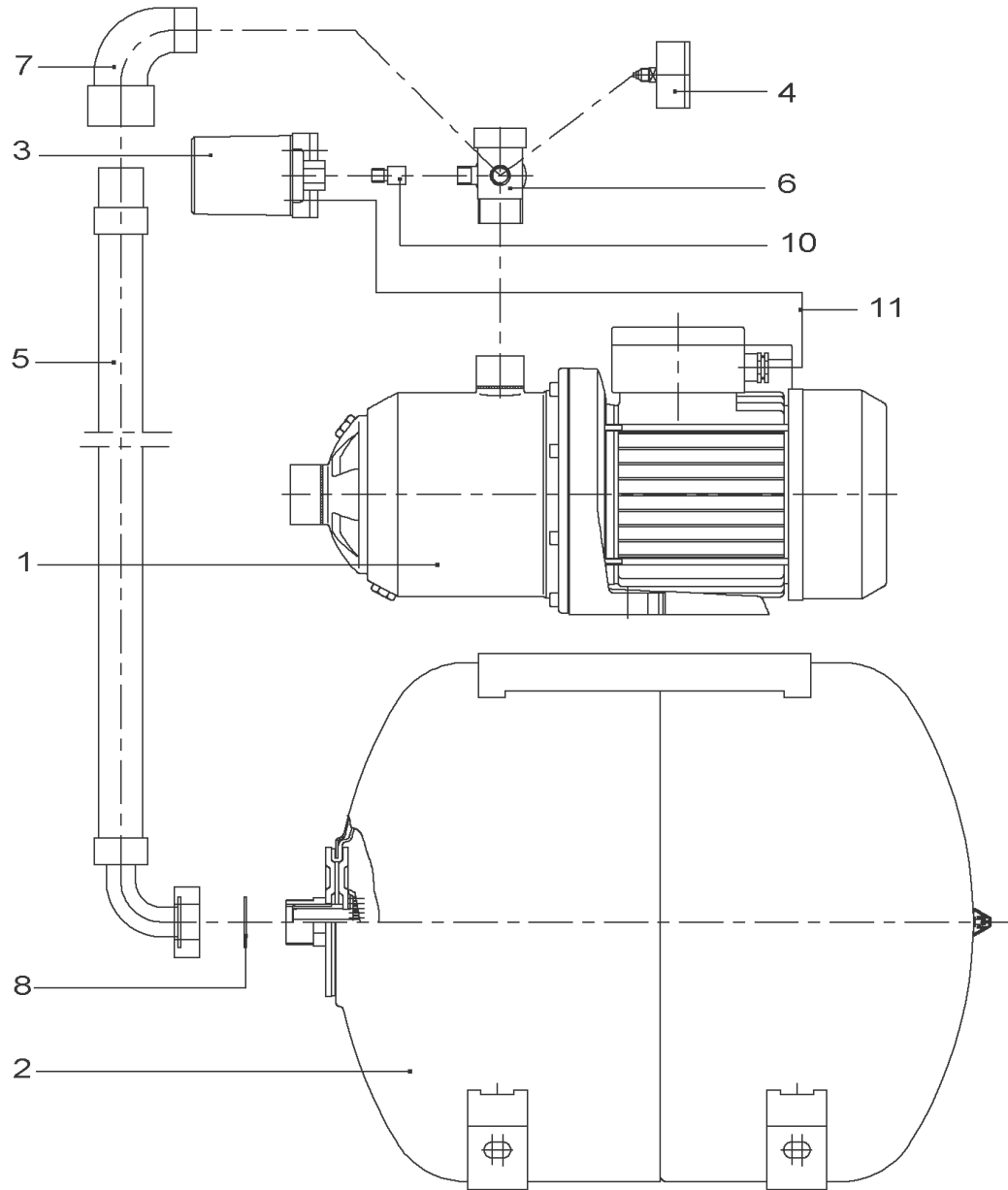
MC304-EM FROM VERSION: /F

Item	Article no.	Description	Quantity
1	4233946	PUMPHOUSING MC 4 STAGE VP.	1
2	4067351	1st STAGE KIT MC PUMP PLASTIC IMPELLER	1
Note: STAGE/ STUFE/ ETAGE: 1			
2.1	2123700	> FLAP METAL MC VP.	1
2.2		> SUCTION CASING VALVE EPDM AND STAIN.STEE	1
2.3		> IMPELLER-2M3-SP-HY-LOW-FLOW	1
2.4		> STAGE HOUSING SUPPORT VALVE	1
3	4067352	OTHERS STAGES KIT MC SILENT MASTER	1
Note: STAGE/ STUFE/ ETAGE: 2/3			
2.3		> IMPELLER-2M3-SP-HY-LOW-FLOW	1
3.1		> STAGE CASING WITH RETURN GUIDE VANE-SP	1
4	4144673	LAST STAGE KIT MC PUMP ALU LANTERN	1
Note: STAGE/ STUFE/ ETAGE: 4			
2.3		> IMPELLER-2M3-SP-HY-LOW-FLOW	1
3.1		> STAGE CASING WITH RETURN GUIDE VANE-SP	1
4.1		> DIFFUSOR STG WITH RETU CHANNEL-SP/MC	1
5	4049859	MULTICARGO PUMP MECHANICAL SEAL KIT	1
5.1	4036284	> GASKET-115X1-NITRILE	1
5.2	4017965	> O-RING D9,9X2,62 NITRILE 70SH	1
5.3	2090148	> CIRCLIP D14 MVI/MHI 316L (2 PIECES) VP.	1
		>> STOP-RUSH-1/2-D14-VMI/HMI-316	2
5.4		> DEFLECTOR D14xD22EP9 NORYL	1
5.5		> MECH.SEAL MG9/14 G60 BVPFF GM.BURGMANN	1
5.6		> THROWER 65/70SH-NITRILE	1
5.7	4233945	> O-RING ID.140 VP.	1
5.8		> THROWER-RUBBER-SH65/70	1
6	4056417	NUT M8 INOX 1.4404	1
8	4007350	SCREW M6X14 ISO4762 8.8 ZN	1
Note: PARTS/ STÜCK/ PIÈCES: 8			
10	2188170	Drain plug/o-ring G1/4" KIT	1
11	2112732	LANTERN MG63 P171 M108 VP.	1
12		SPARE PARTS MOTOR MC304-EM/F (MG63)	1
13	4004679	Stationnary Ring Holder 1.4301	1



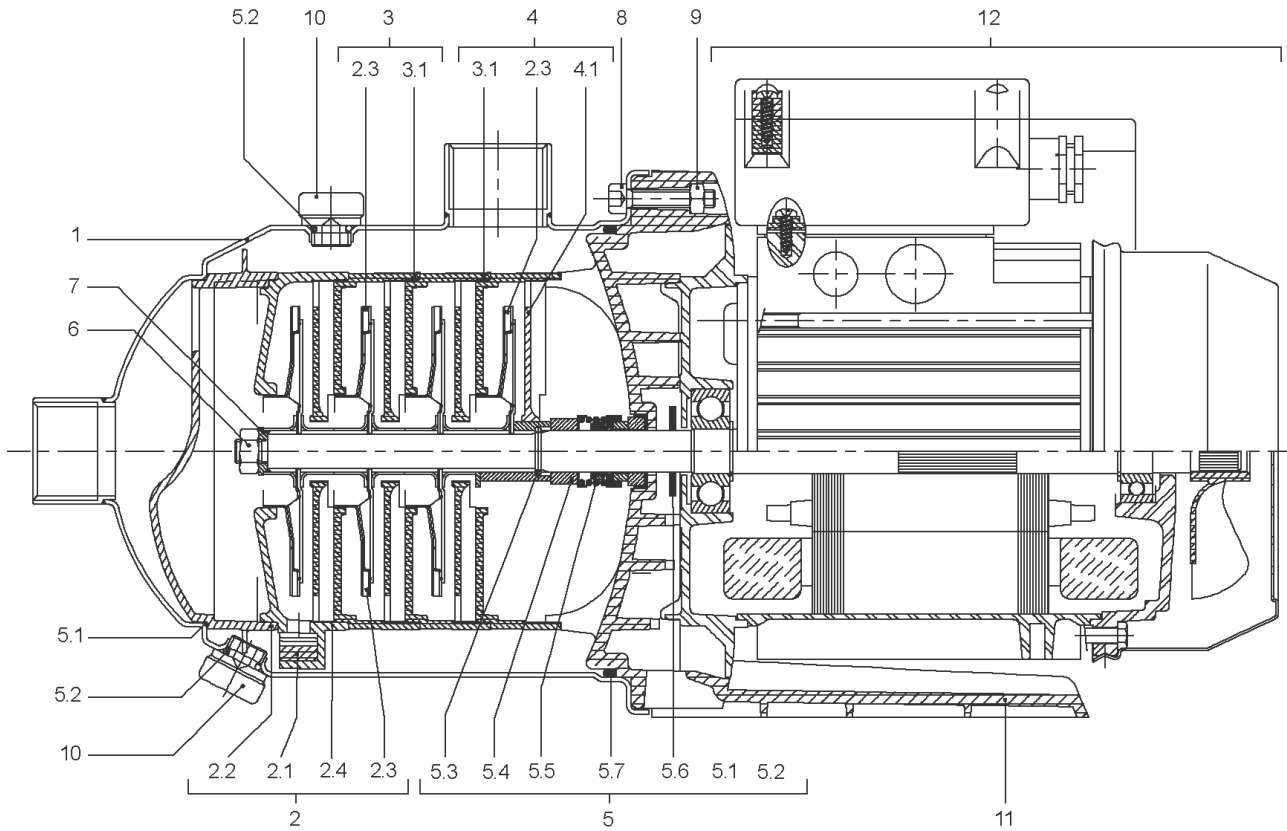
SPARE PARTS MOTOR MC304-EM/F (MG63)

Item	Article no.	Description	Quantity
12.2	122097891	BALL BEARING 6202/2Z-C3 (HT) VP.	1
12.3	2048815	FAN D.100 MG.63 MC/MP KIT	1
12.31		> REAR-BEARING-MOT63-D90	1
12.32	4233938	> Motor fan T63-71 D100 VP.	1
12.33		> FAN-COVER-MOTOR63-D90-LOCKING	1
12.4	122097891	BALL BEARING 6202/2Z-C3 (HT) VP.	1
12.5	4215742	Crinkled washer 6202/6300-C3 VP.	1
12.6	4090072	TERMINAL BOX KIT MC-EM (63)	1
12.61	4062055	> TERMINAL-BOX-COVER-MOT-MONO-63	1
12.62	4051316	> FLAT-GASKET-BAB-MOT63	1
	2132532	> CAPACITOR 12MF 470V CA.LG.210 V1EC1 VP.	1
	4057375	> TERMINAL BLOCK 40/25 3P	1
		> SCREW F.KKD.(MHI2/4/8)	1
		> NUT-HM4-BRASS	1
12.7	4207951	CIRCLIP D15X1 VP.	1
12.8	2106089	MOTOR FOOT MG.63 KIT	1
12.81		> MOTOR-SUPPORT-63	1
12.82		> SPRING-PIN-A4L25E	1



HMC305 DM (2511909)

Item	Article no.	Description	Quantity
1		MC305-DM	1
		> MC305-DM TO VERSION: /F	1
		> MC305-DM FROM VERSION: /G	1
2	2027578	DIAPHRAGM VESSEL 50L PN10 HWW VP.	1
	2124000	DIAPHRAGM 50L HW ACS VP.	1
Note: for pressure vessel/für Membranbehälter/pour réservoir: 2527268			
	2132491	DIAPHRAGM 50L-HWW VP.	1
Note: for pressure vessel/für Membranbehälter/pour réservoir: 2537381			
3	2027579	PRESSURE SWITCH PT5 1-5BAR R1/4"-I-GEW.	1
4	2027581	PRESSURE GAUGE 0-6BAR D50 G1/4"HIND INL	1
5	2027583	FLEX.HOSE R1"M(W90°)-1"F550PN10 ACS.VP.	1
6	2068034	DISTRIBUTOR BRASS R1" TYPE RCLL 91 MM	1
7	2027585	ANGLE FITTING BRASS R1" TYPE RCM/F	1
8	2042873	FLAT GASKET 21x30x2 C4400 VP.	1
10	2042988	THREADED EXTENSION PIECE G1/4" BRASS	1
11	2042874	CONNECTION CABLE HMC/HMP/HMH MOTOR 3~400	1

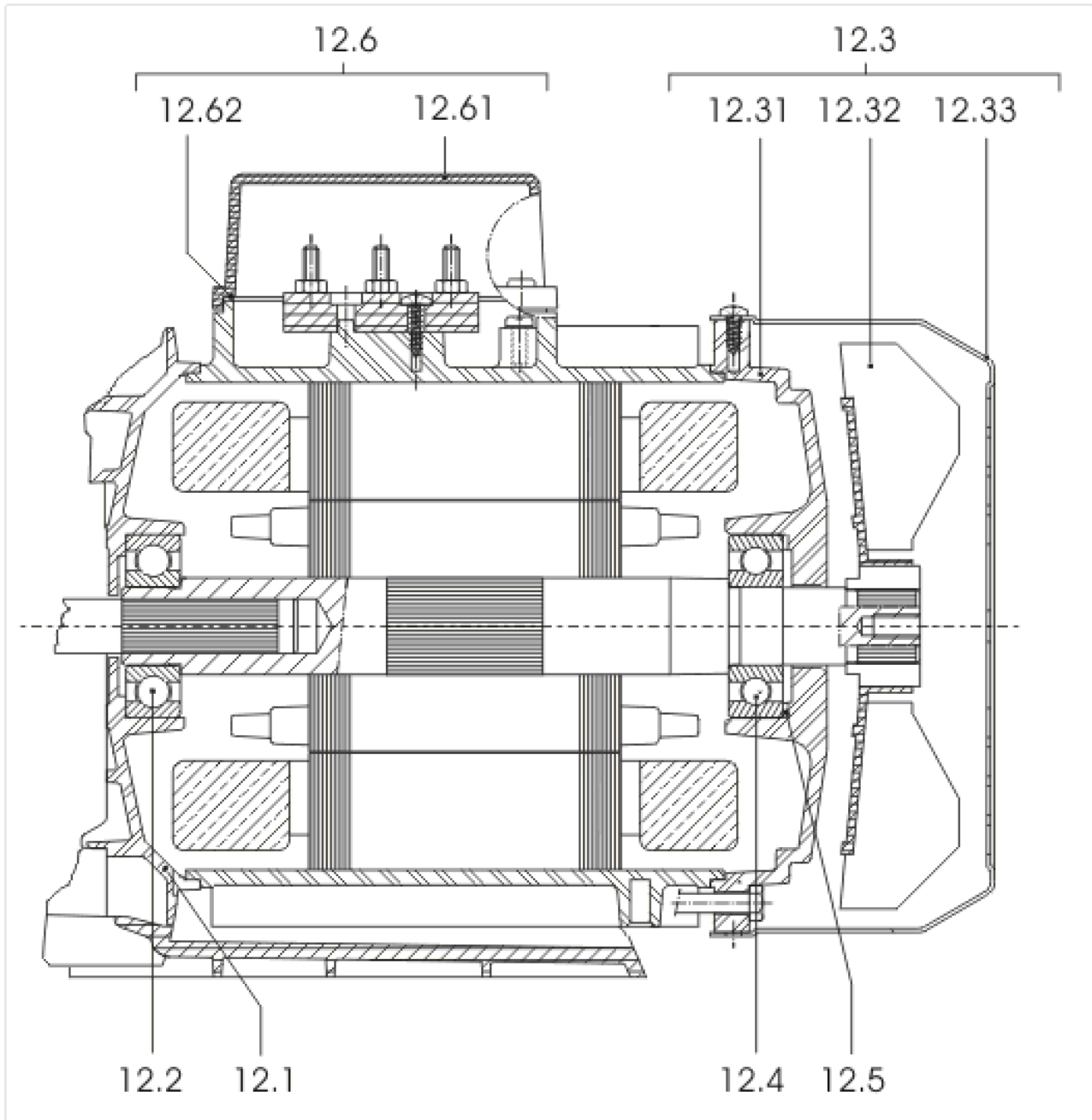


MC305-DM TO VERSION: /F

Item	Article no.	Description	Quantity
1	4076322	CORPS-FAB-SPRINGSON-5ETAGES-INOX304	1
2	4054533	MC304-305 PUMP 1st STAGE KIT New range	1
Note: STAGE/ STUFE/ ETAGE: 1			
2.1	2123700	> FLAP METAL MC VP.	1
2.2		> SUCTION CASING VALVE EPDM AND STAIN.STEE	1
2.3		> IMPELLER MVI2 D.98x2 1.4301	1
2.4		> STAGE HOUSING SUPPORT VALVE	1
2	4067351	1st STAGE KIT MC PUMP PLASTIC IMPELLER	1
Note: STAGE/ STUFE/ ETAGE: 1FROM/ AB/ À PARTIR DE: MC305-DM/F			
2.1	2123700	> FLAP METAL MC VP.	1
2.2		> SUCTION CASING VALVE EPDM AND STAIN.STEE	1
2.3		> IMPELLER-2M3-SP-HY-LOW-FLOW	1
2.4		> STAGE HOUSING SUPPORT VALVE	1
3	4054534	MC304-305 PUMP OTHERS STAGES KIT New ran	1
Note: STAGE/ STUFE/ ETAGE: 2/3/4			
2.3		> IMPELLER MVI2 D.98x2 1.4301	1
3.1		> STAGE CASING WITH RETURN GUIDE VANE-SP	1
3	4067352	OTHERS STAGES KIT MC SILENT MASTER	1
Note: STAGE/ STUFE/ ETAGE: 2/3/4FROM/ AB/ À PARTIR DE: MC305-DM/F			
2.3		> IMPELLER-2M3-SP-HY-LOW-FLOW	1
3.1		> STAGE CASING WITH RETURN GUIDE VANE-SP	1
4	4054535	LAST STAGE KIT MC304-305 PUMP New range	1
Note: STAGE/ STUFE/ ETAGE: 5			
2.3		> IMPELLER MVI2 D.98x2 1.4301	1
3.1		> STAGE CASING WITH RETURN GUIDE VANE-SP	1
4.1		> CANAL-RET-ULTEM2300	1
4	4067353	LAST STAGE KIT MC PUMP PLASTIC IMPELL	1
Note: STAGE/ STUFE/ ETAGE: 5FROM/ AB/ À PARTIR DE: MC305-DM/F			
2.3		> IMPELLER-2M3-SP-HY-LOW-FLOW	1
3.1		> STAGE CASING WITH RETURN GUIDE VANE-SP	1
4.1		> CANAL-RET-ULTEM2300	1
5	4049859	MULTICARGO PUMP MECHANICAL SEAL KIT	1
5.1	4036284	> GASKET-115X1-NITRILE	1
5.2	4017965	> O-RING D9,9X2,62 NITRILE 70SH	1

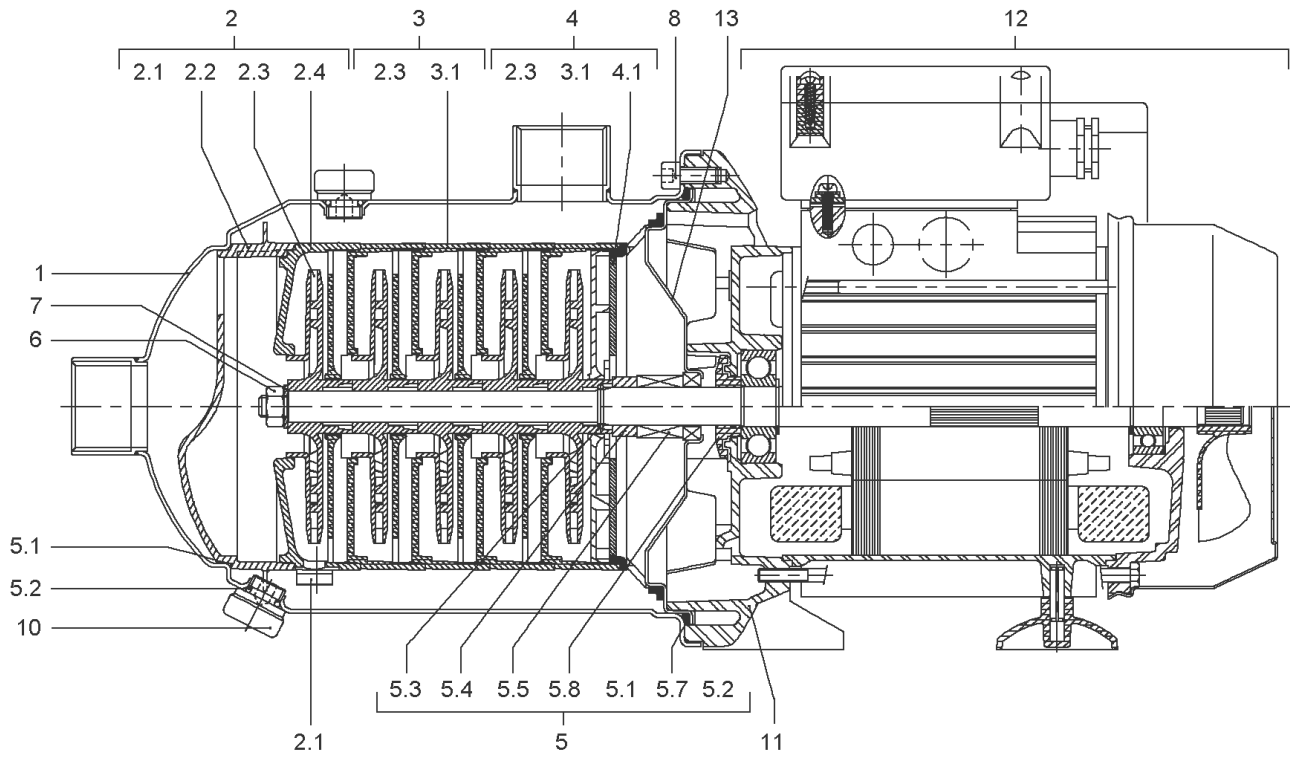
MC305-DM TO VERSION: /F

Item	Article no.	Description	Quantity
5.3	2090148	> CIRCLIP D14 MVI/MHI 316L (2 PIECES) VP.	1
		>> STOP-RUSH-1/2-D14-VMI/HMI-316	2
5.4		> DEFLECTOR D14xD22EP9 NORYL	1
5.5		> MECH.SEAL MG9/14 G60 BVPFF GM.BURGMANN	1
5.6		> THROWER 65/70SH-NITRILE	1
5.7	4233945	> O-RING ID.140 VP.	1
5.8		> THROWER-RUBBER-SH65/70	1
6	4056417	NUT M8 INOX 1.4404	1
7	74960033407	DISC MP3/6+MC3/6	1
8	4031762	SCREW M6X30 ISO4762 8.8 ZN	1
Note: PARTS/ STÜCK/ PIÈCES: 8			
9	4031766	NUT M6 MP3/6	1
Note: PARTS/ STÜCK/ PIÈCES: 8			
10	2188170	Drain plug/o-ring G1/4" KIT	1
11	4045110	LANTERN BRACKET	1
12		SPARE PARTS MOTOR MC305-DM(MG71)	1



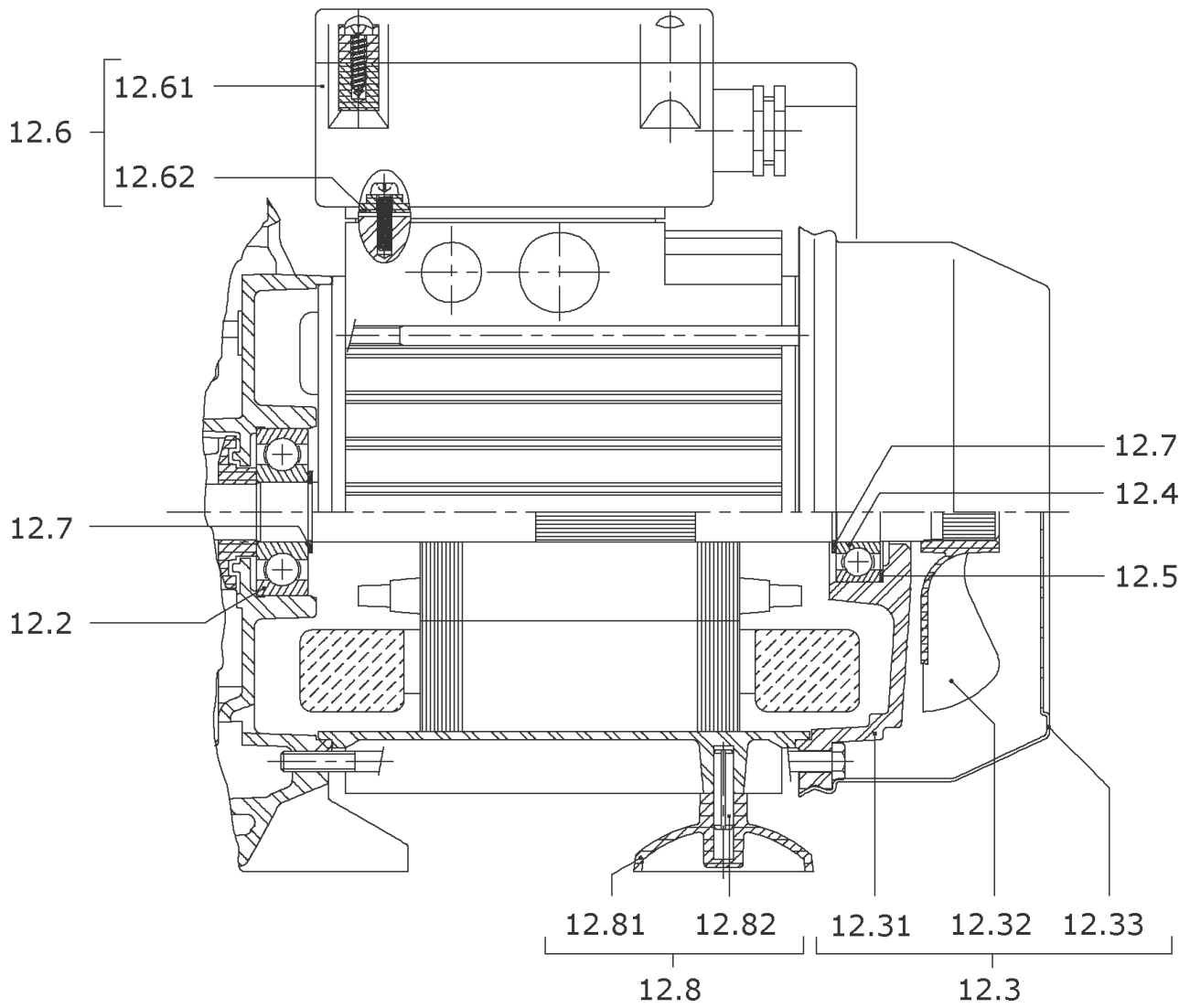
SPARE PARTS MOTOR MC305-DM(MG71)

Item	Article no.	Description	Quantity
12.1	4028055	END SHILD AS MP3/MP603+604 +PK.	1
7.6	4185162	BALL-BEARING-6302-C3-DDU-E-EA6 VP.	1
12.3	2048812	FAN D.110 MG.71 MC KIT	1
12.31		> REAR-BEARING-MOT71-D110-LOCKING	1
12.32	4233938	> Motor fan T63-71 D100 VP.	1
12.33	4202863	> FAN-COVER-MOTOR71-D110-LOCKING VP.	1
12.4	122097891	BALL BEARING 6202/2Z-C3 (HT) VP.	1
12.5	4215742	Crinkled washer 6202/6300-C3 VP.	1
12.6	4090076	TERMINAL BOX KIT MC-DM (71)	1
12.61	4210082	> Terminal-Box-Cover-MOT-TRI-71 VP.	1
12.62	4209688	> Flat-Gasket-BAB-MOT71 VP.	1
	4057378	> TERMINAL BLOCK 50/32 6P	1
		> M3,5L14 THREAD FORMING SCREW	1
	4207951	CIRCLIP D15X1 VP.	1



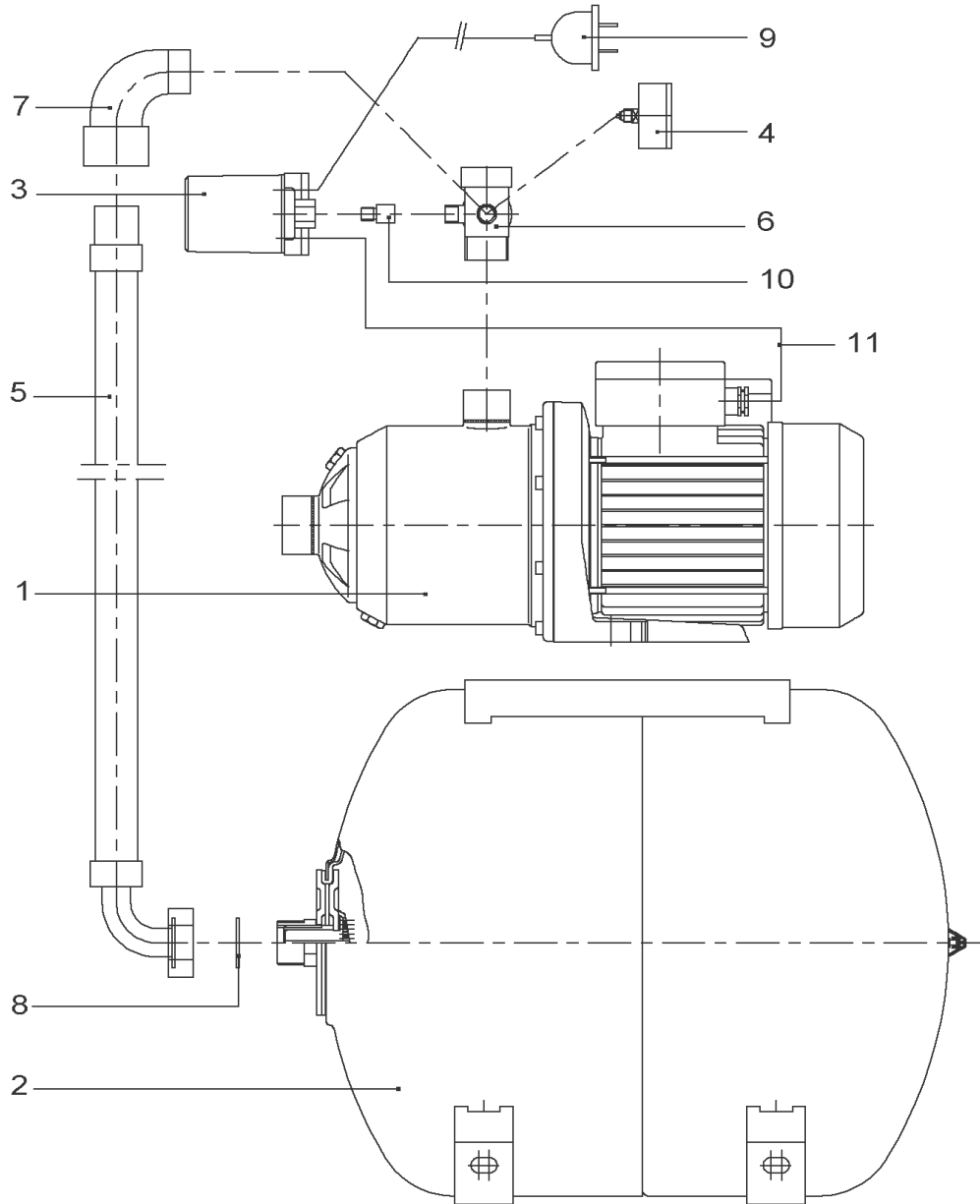
MC305-DM FROM VERSION: /G

Item	Article no.	Description	Quantity
1	4076322	CORPS-FAB-SPRINGSON-5ETAGES-INOX304	1
2	4067351	1st STAGE KIT MC PUMP PLASTIC IMPELLER	1
Note: STAGE/ STUFE/ ETAGE: 1			
2.1	2123700	> FLAP METAL MC VP.	1
2.2		> SUCTION CASING VALVE EPDM AND STAIN.STEE	1
2.3		> IMPELLER-2M3-SP-HY-LOW-FLOW	1
2.4		> STAGE HOUSING SUPPORT VALVE	1
3	4067352	OTHERS STAGES KIT MC SILENT MASTER	1
Note: STAGE/ STUFE/ ETAGE: 2/3/4			
2.3		> IMPELLER-2M3-SP-HY-LOW-FLOW	1
3.1		> STAGE CASING WITH RETURN GUIDE VANE-SP	1
4	4144673	LAST STAGE KIT MC PUMP ALU LANTERN	1
Note: STAGE/ STUFE/ ETAGE: 5			
2.3		> IMPELLER-2M3-SP-HY-LOW-FLOW	1
3.1		> STAGE CASING WITH RETURN GUIDE VANE-SP	1
4.1		> DIFFUSOR STG WITH RETU CHANNEL-SP/MC	1
5	4049859	MULTICARGO PUMP MECHANICAL SEAL KIT	1
5.1	4036284	> GASKET-115X1-NITRILE	1
5.2	4017965	> O-RING D9,9X2,62 NITRILE 70SH	1
5.3	2090148	> CIRCLIP D14 MVI/MHI 316L (2 PIECES) VP.	1
		>> STOP-RUSH-1/2-D14-VMI/HMI-316	2
5.4		> DEFLECTOR D14xD22EP9 NORYL	1
5.5		> MECH.SEAL MG9/14 G60 BVPFF GM.BURGMANN	1
5.6		> THROWER 65/70SH-NITRILE	1
5.7	4233945	> O-RING ID.140 VP.	1
5.8		> THROWER-RUBBER-SH65/70	1
6	4056417	NUT M8 INOX 1.4404	1
8	4007350	SCREW M6X14 ISO4762 8.8 ZN	1
Note: PARTS/ STÜCK/ PIÈCES: 8			
10	2188170	Drain plug/o-ring G1/4" KIT	1
11	4025172	LANTERN MACHINED P171 M125	1
12		SPARE PARTS MOTOR MC305-DM/G (MG71)	1
13	4004679	Stationnary Ring Holder 1.4301	1



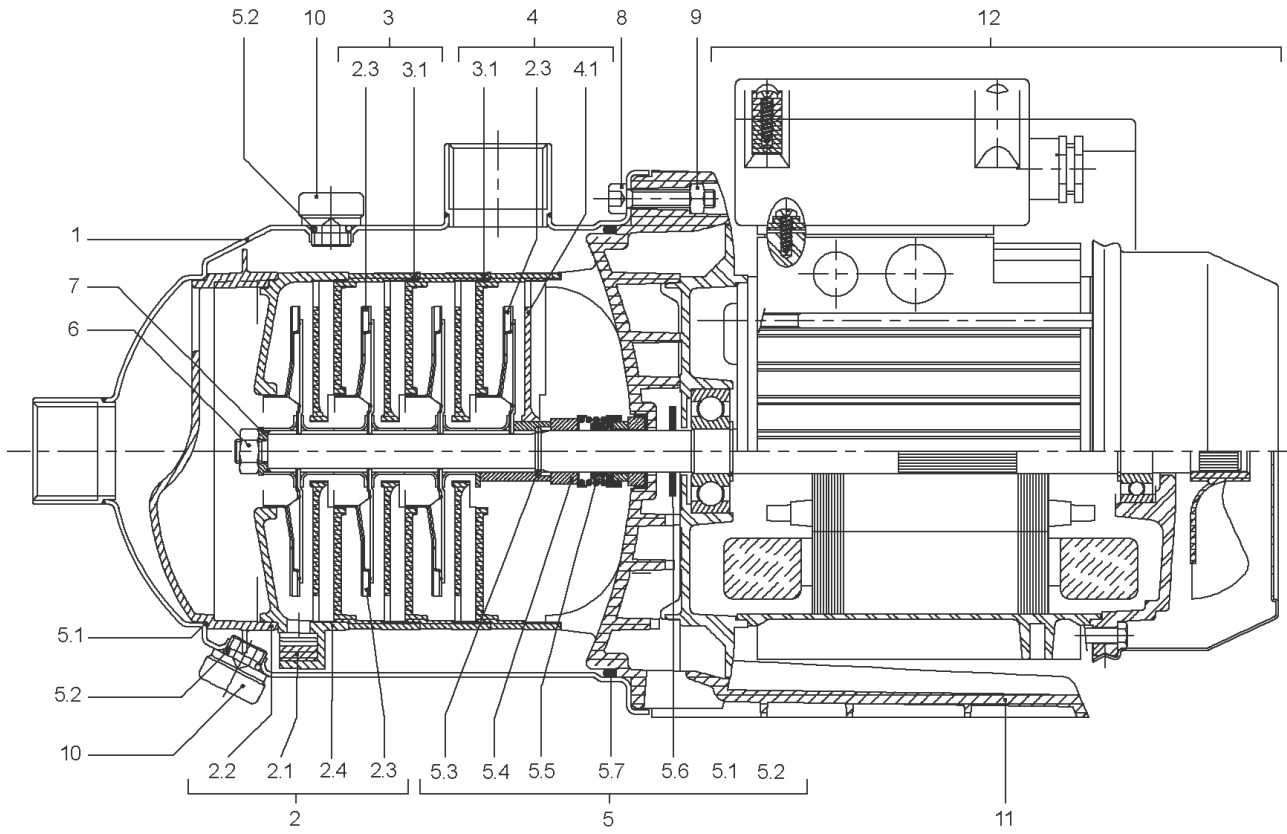
SPARE PARTS MOTOR MC305-DM/G (MG71)

Item	Article no.	Description	Quantity
7.6	4185162	BALL-BEARING-6302-C3-DDU-E-EA6 VP.	1
12.3	2048820	FAN D.100 MG.71 MP KIT	1
12.32	4233938	> Motor fan T63-71 D100 VP.	1
12.33		> FAN-COVER-MOTOR71-D110-LOCKING	1
12.31		> REAR-BEARING-MOT71-D110-GROOVE	1
12.4	122097891	BALL BEARING 6202/2Z-C3 (HT) VP.	1
12.5	4215742	Crinkled washer 6202/6300-C3 VP.	1
12.6	4090076	TERMINAL BOX KIT MC-DM (71)	1
12.61	4210082	> Terminal-Box-Cover-MOT-TRI-71 VP.	1
12.62	4209688	> Flat-Gasket-BAB-MOT71 VP.	1
	4057378	> TERMINAL BLOCK 50/32 6P	1
		> M3,5L14 THREAD FORMING SCREW	1
12.7	4207951	CIRCLIP D15X1 VP.	1
12.8	2106111	MOTOR FOOT MG.71 KIT	1
12.81		> MOTOR-SUPPORT-71	1
12.82		> SPRING-PIN-A5L20E	1



HMC305 EM (2511905)

Item	Article no.	Description	Quantity
1		MC305-EM	1
		> MC305-EM TO VERSION: /E	1
		> MC305-EM FROM VERSION: /F	1
1	4230655	MC305-EM VP.	1
2	2027578	DIAPHRAGM VESSEL 50L PN10 HWW VP.	1
	2124000	DIAPHRAGM 50L HW ACS VP.	1
Note: for pressure vessel/für Membranbehälter/pour reservoir: 2527268			
	2132491	DIAPHRAGM 50L-HWW VP.	1
Note: for pressure vessel/für Membranbehälter/pour reservoir: 2537381			
3	2106340	PRESSURE SWITCH PM5XH05 ACS 3.2/4.5+CA.V	1
4	2027581	PRESSURE GAUGE 0-6BAR D50 G1/4"HIND INL	1
5	2027583	FLEX.HOSE R1"M(W90°)-1"F550PN10 ACS.VP.	1
6	2068034	DISTRIBUTOR BRASS R1" TYPE RCLL 91 MM	1
7	2027585	ANGLE FITTING BRASS R1" TYPE RCM/F	1
8	2042873	FLAT GASKET 21x30x2 C4400 VP.	1
9	2027591	CONNECTION CABLE HMP/ HMHI/-1~230 CPL.	1
10	2042988	THREADED EXTENSION PIECE G1/4" BRASS	1

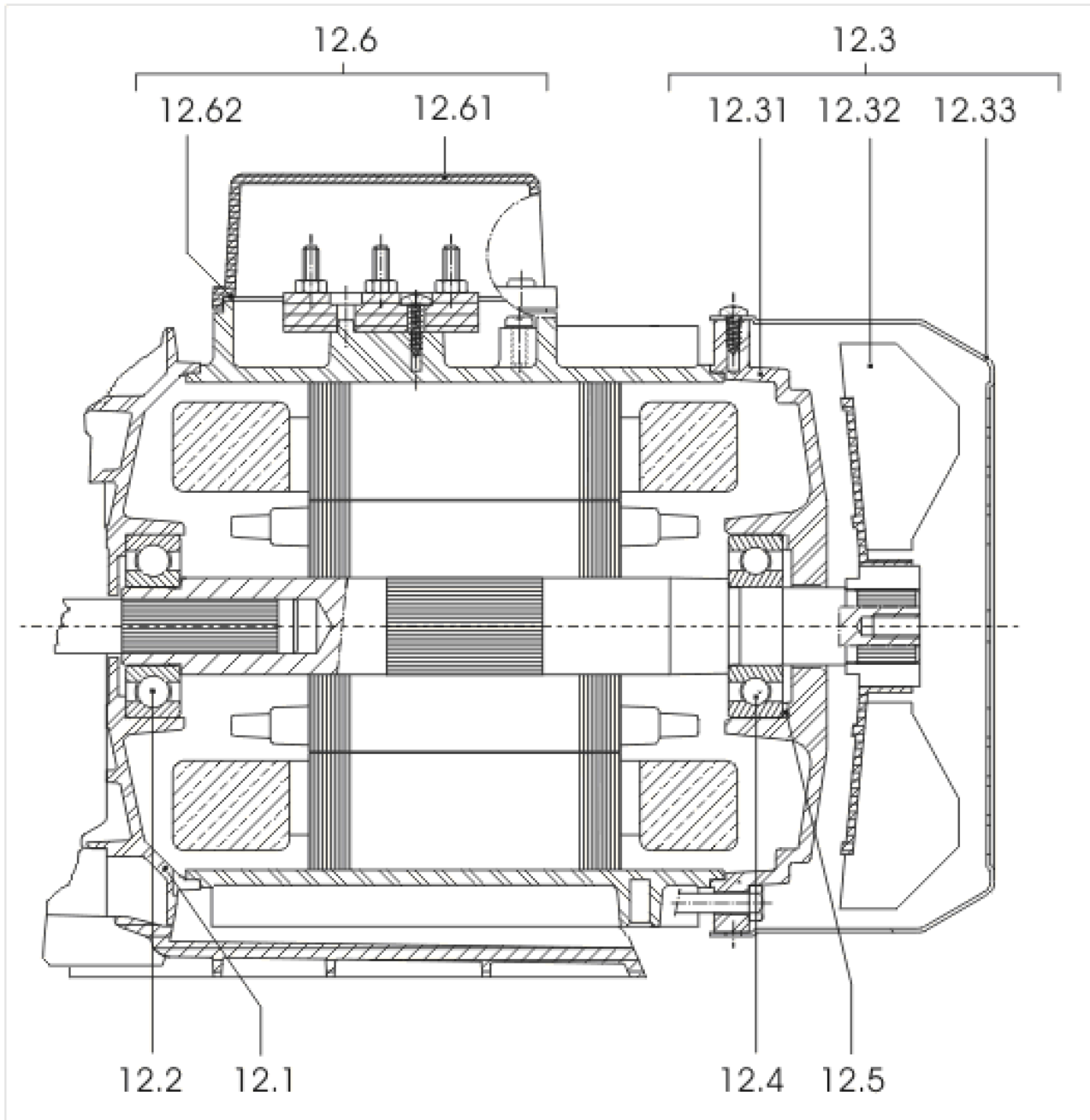


MC305-EM TO VERSION: /E

Item	Article no.	Description	Quantity
1	4076322	CORPS-FAB-SPRINGSON-5ETAGES-INOX304	1
2	4054533	MC304-305 PUMP 1st STAGE KIT New range	1
Note: STAGE/ STUFE/ ETAGE: 1			
2.1	2123700	> FLAP METAL MC VP.	1
2.2		> SUCTION CASING VALVE EPDM AND STAIN.STEE	1
2.3		> IMPELLER MVI2 D.98x2 1.4301	1
2.4		> STAGE HOUSING SUPPORT VALVE	1
2	4067351	1st STAGE KIT MC PUMP PLASTIC IMPELLER	1
Note: STAGE/ STUFE/ ETAGE: 1FROM/ AB/ À PARTIR DE: MC305-EM/E			
2.1	2123700	> FLAP METAL MC VP.	1
2.2		> SUCTION CASING VALVE EPDM AND STAIN.STEE	1
2.3		> IMPELLER-2M3-SP-HY-LOW-FLOW	1
2.4		> STAGE HOUSING SUPPORT VALVE	1
3	4054534	MC304-305 PUMP OTHERS STAGES KIT New ran	1
Note: STAGE/ STUFE/ ETAGE: 2/3/4			
2.3		> IMPELLER MVI2 D.98x2 1.4301	1
3.1		> STAGE CASING WITH RETURN GUIDE VANE-SP	1
3	4067352	OTHERS STAGES KIT MC SILENT MASTER	1
Note: STAGE/ STUFE/ ETAGE: 2/3/4FROM/ AB/ À PARTIR DE: MC305-EM/E			
2.3		> IMPELLER-2M3-SP-HY-LOW-FLOW	1
3.1		> STAGE CASING WITH RETURN GUIDE VANE-SP	1
4	4054535	LAST STAGE KIT MC304-305 PUMP New range	1
Note: STAGE/ STUFE/ ETAGE: 5			
2.3		> IMPELLER MVI2 D.98x2 1.4301	1
3.1		> STAGE CASING WITH RETURN GUIDE VANE-SP	1
4.1		> CANAL-RET-ULTEM2300	1
4	4067353	LAST STAGE KIT MC PUMP PLASTIC IMPELL	1
Note: STAGE/ STUFE/ ETAGE: 5FROM/ AB/ À PARTIR DE: MC305-EM/E			
2.3		> IMPELLER-2M3-SP-HY-LOW-FLOW	1
3.1		> STAGE CASING WITH RETURN GUIDE VANE-SP	1
4.1		> CANAL-RET-ULTEM2300	1
5	4049859	MULTICARGO PUMP MECHANICAL SEAL KIT	1
5.1	4036284	> GASKET-115X1-NITRILE	1
5.2	4017965	> O-RING D9,9X2,62 NITRILE 70SH	1

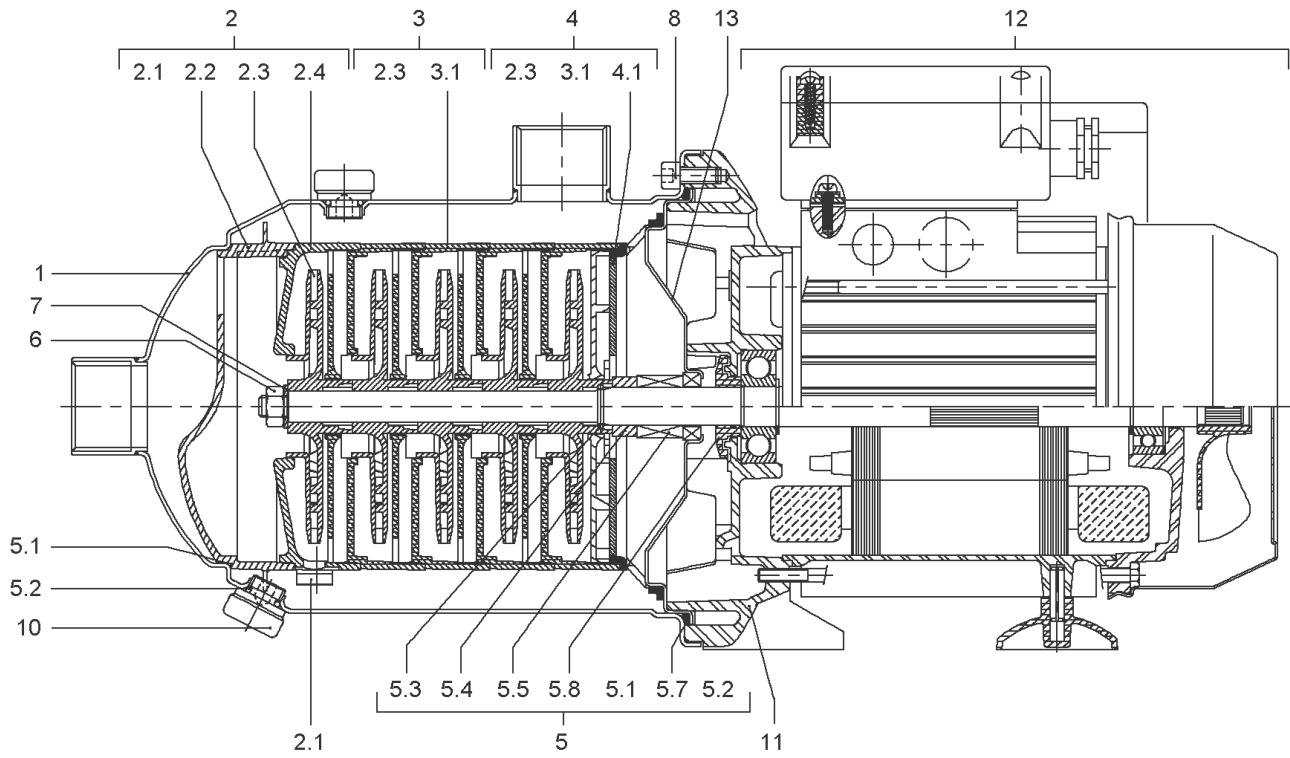
MC305-EM TO VERSION: /E

Item	Article no.	Description	Quantity
5.3	2090148	> CIRCLIP D14 MVI/MHI 316L (2 PIECES) VP.	1
		>> STOP-RUSH-1/2-D14-VMI/HMI-316	2
5.4		> DEFLECTOR D14xD22EP9 NORYL	1
5.5		> MECH.SEAL MG9/14 G60 BVPFF GM.BURGMANN	1
5.6		> THROWER 65/70SH-NITRILE	1
5.7	4233945	> O-RING ID.140 VP.	1
5.8		> THROWER-RUBBER-SH65/70	1
6	4056417	NUT M8 INOX 1.4404	1
7	74960033407	DISC MP3/6+MC3/6	1
8	4031762	SCREW M6X30 ISO4762 8.8 ZN	1
Note: PARTS/ STÜCK/ PIÈCES: 8			
9	4031766	NUT M6 MP3/6	1
Note: PARTS/ STÜCK/ PIÈCES: 8			
10	2188170	Drain plug/o-ring G1/4" KIT	1
11	4045110	LANTERN BRACKET	1
12		SPARE PARTS MOTOR MC305-EM (MG71)	1



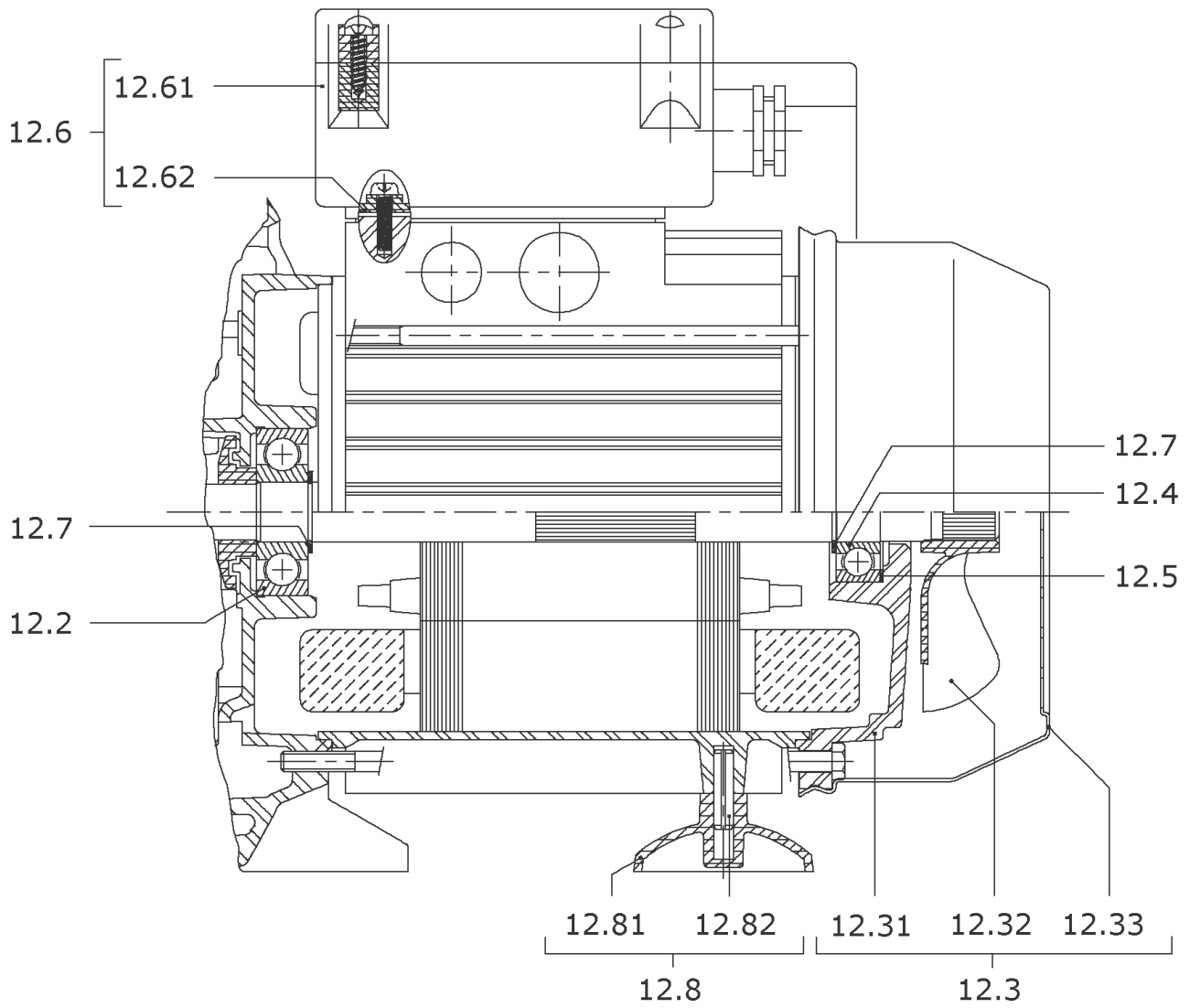
SPARE PARTS MOTOR MC305-EM (MG71)

Item	Article no.	Description	Quantity
12.1	4028055	END SHILD AS MP3/MP603+604 +PK.	1
7.6	4185162	BALL-BEARING-6302-C3-DDU-E-EA6 VP.	1
12.3	2048812	FAN D.110 MG.71 MC KIT	1
12.31		> REAR-BEARING-MOT71-D110-LOCKING	1
12.32	4233938	> Motor fan T63-71 D100 VP.	1
12.33	4202863	> FAN-COVER-MOTOR71-D110-LOCKING VP.	1
12.4	122097891	BALL BEARING 6202/2Z-C3 (HT) VP.	1
12.5	4215742	Crinkled washer 6202/6300-C3 VP.	1
12.6	4090073	TERMINAL BOX KIT MC-EM (71)	1
12.61	4007672	> TERMINAL-BOX-COVER-MOT-MONO-71	1
12.62	4209688	> Flat-Gasket-BAB-MOT71 VP.	1
	2132533	> CAPACITOR 16MF 470V CA.LG.210 V1EC2 VP.	1
		> SCREW-CBL-Z-C/AT-ST3,5L13ZINGUE	1
		> SCREW F.KKD.(MHI2/4/8)	1
		> NUT-HM4-BRASS	1
	4207951	CIRCLIP D15X1 VP.	1



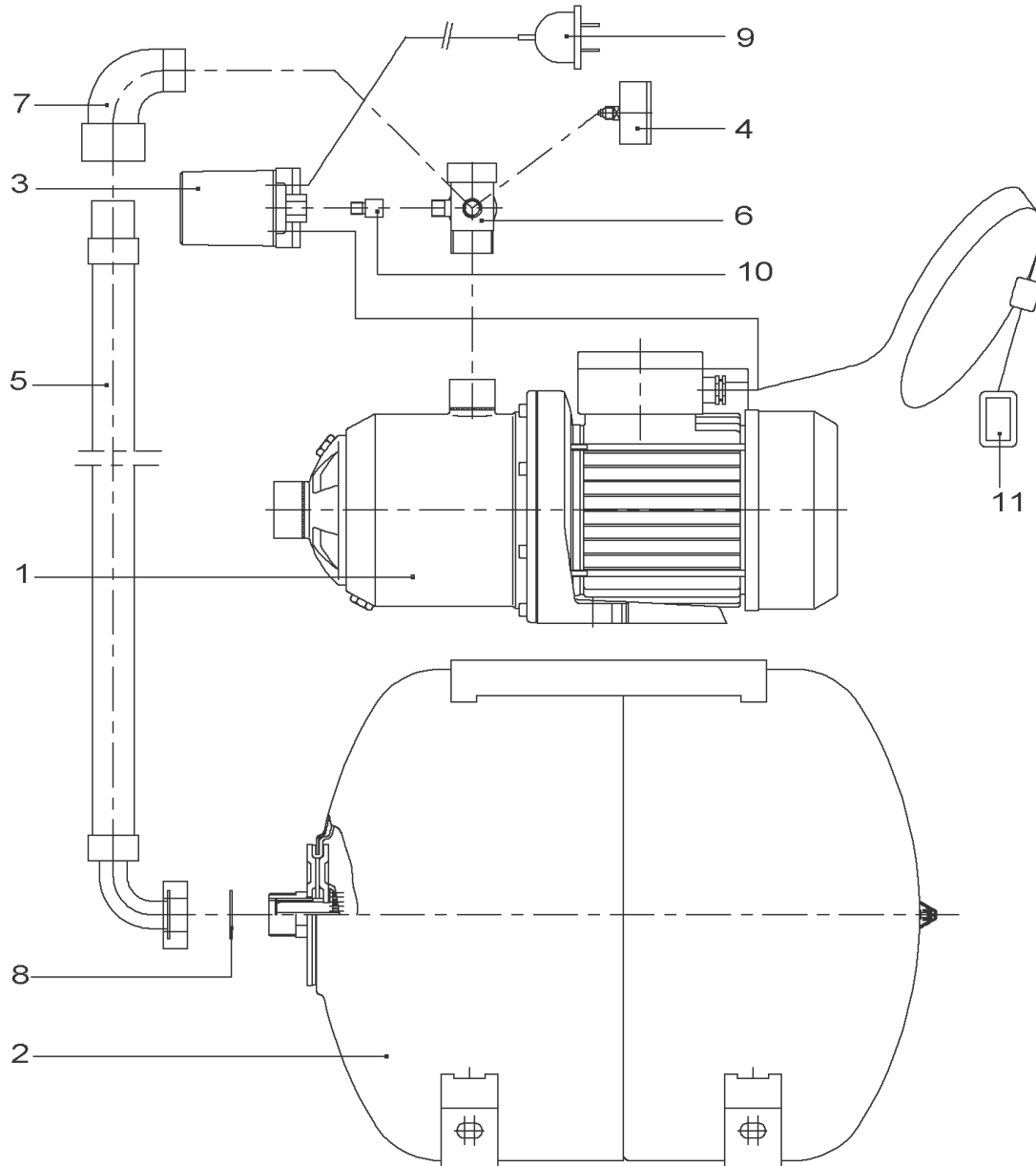
MC305-EM FROM VERSION: /F

Item	Article no.	Description	Quantity
1	4076322	CORPS-FAB-SPRINGSON-5ETAGES-INOX304	1
2	4067351	1st STAGE KIT MC PUMP PLASTIC IMPELLER	1
Note: STAGE/ STUFE/ ETAGE: 1			
2.1	2123700	> FLAP METAL MC VP.	1
2.2		> SUCTION CASING VALVE EPDM AND STAIN.STEE	1
2.3		> IMPELLER-2M3-SP-HY-LOW-FLOW	1
2.4		> STAGE HOUSING SUPPORT VALVE	1
3	4067352	OTHERS STAGES KIT MC SILENT MASTER	1
Note: STAGE/ STUFE/ ETAGE: 2/3/4			
2.3		> IMPELLER-2M3-SP-HY-LOW-FLOW	1
3.1		> STAGE CASING WITH RETURN GUIDE VANE-SP	1
4	4144673	LAST STAGE KIT MC PUMP ALU LANTERN	1
Note: STAGE/ STUFE/ ETAGE: 5			
2.3		> IMPELLER-2M3-SP-HY-LOW-FLOW	1
3.1		> STAGE CASING WITH RETURN GUIDE VANE-SP	1
4.1		> DIFFUSOR STG WITH RETU CHANNEL-SP/MC	1
5	4049859	MULTICARGO PUMP MECHANICAL SEAL KIT	1
5.1	4036284	> GASKET-115X1-NITRILE	1
5.2	4017965	> O-RING D9,9X2,62 NITRILE 70SH	1
5.3	2090148	> CIRCLIP D14 MVI/MHI 316L (2 PIECES) VP.	1
		>> STOP-RUSH-1/2-D14-VMI/HMI-316	2
5.4		> DEFLECTOR D14xD22EP9 NORYL	1
5.5		> MECH.SEAL MG9/14 G60 BVPFF GM.BURGMANN	1
5.6		> THROWER 65/70SH-NITRILE	1
5.7	4233945	> O-RING ID.140 VP.	1
5.8		> THROWER-RUBBER-SH65/70	1
6	4056417	NUT M8 INOX 1.4404	1
8	4007350	SCREW M6X14 ISO4762 8.8 ZN	1
Note: PARTS/ STÜCK/ PIÈCES: 8			
10	2188170	Drain plug/o-ring G1/4" KIT	1
11	4025172	LANTERN MACHINED P171 M125	1
12		SPARE PARTS MOTOR MC305-EM/F (MG71)	1
13	4004679	Stationnary Ring Holder 1.4301	1



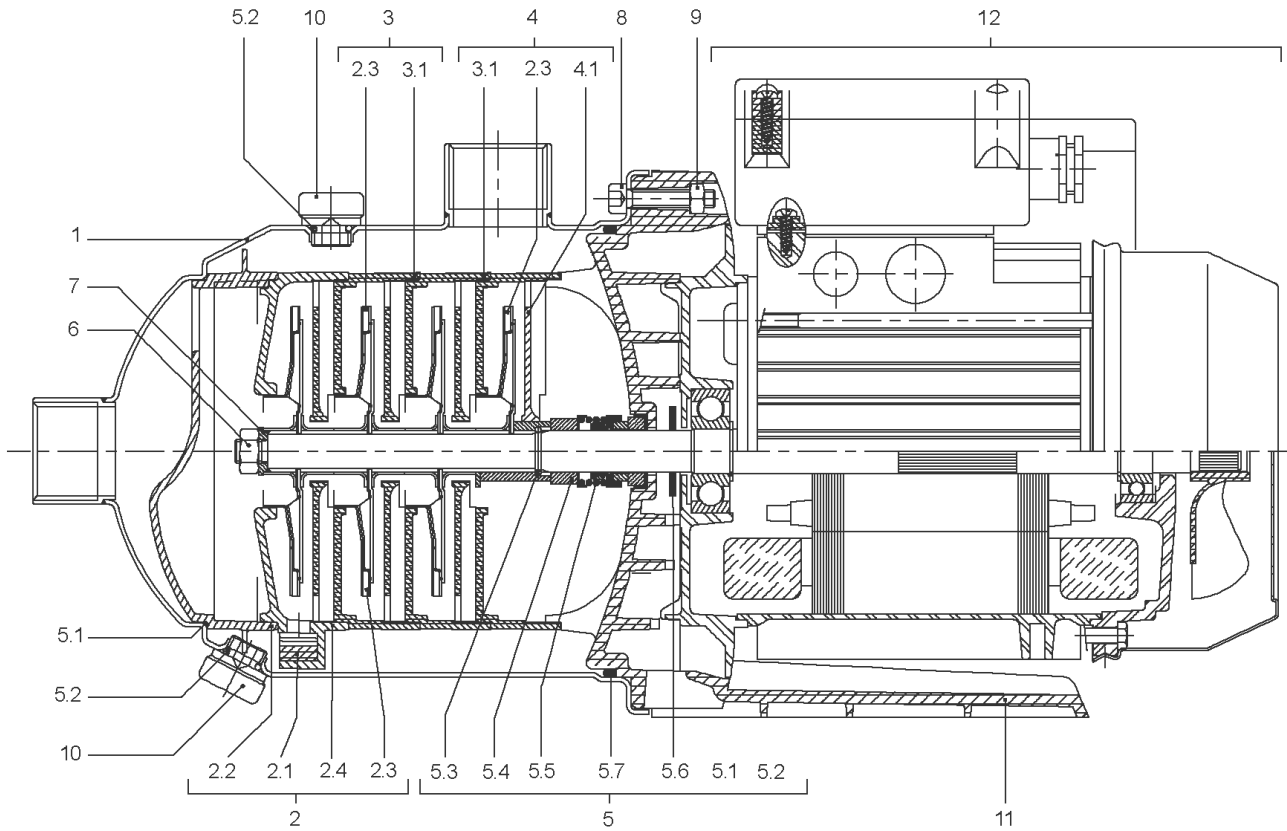
SPARE PARTS MOTOR MC305-EM/F (MG71)

Item	Article no.	Description	Quantity
7.6	4185162	BALL-BEARING-6302-C3-DDU-E-EA6 VP.	1
12.3	2048820	FAN D.100 MG.71 MP KIT	1
12.32	4233938	> Motor fan T63-71 D100 VP.	1
12.33		> FAN-COVER-MOTOR71-D110-LOCKING	1
12.31		> REAR-BEARING-MOT71-D110-GROOVE	1
12.4	122097891	BALL BEARING 6202/2Z-C3 (HT) VP.	1
12.5	4215742	Crinkled washer 6202/6300-C3 VP.	1
12.6	4090073	TERMINAL BOX KIT MC-EM (71)	1
12.61	4007672	> TERMINAL-BOX-COVER-MOT-MONO-71	1
12.62	4209688	> Flat-Gasket-BAB-MOT71 VP.	1
	2132533	> CAPACITOR 16MF 470V CA.LG.210 V1EC2 VP.	1
		> SCREW-CBL-Z-C/AT-ST3,5L13ZINGUE	1
		> SCREW F.KKD.(MHI2/4/8)	1
		> NUT-HM4-BRASS	1
12.7	4207951	CIRCLIP D15X1 VP.	1
12.8	2106111	MOTOR FOOT MG.71 KIT	1
12.81		> MOTOR-SUPPORT-71	1
12.82		> SPRING-PIN-A5L20E	1



HMC305 EM -TR (2512321)

Item	Article no.	Description	Quantity
1		MC305-EM	1
		> MC305-EM TO VERSION: /E	1
		> MC305-EM FROM VERSION: /F	1
1	4230655	MC305-EM VP.	1
2	2027578	DIAPHRAGM VESSEL 50L PN10 HWW VP.	1
	2124000	DIAPHRAGM 50L HW ACS VP.	1
Note: for pressure vessel/für Membranbehälter/pour reservoir: 2527268			
	2132491	DIAPHRAGM 50L-HWW VP.	1
Note: for pressure vessel/für Membranbehälter/pour reservoir: 2537381			
3	2106340	PRESSURE SWITCH PM5XH05 ACS 3.2/4.5+CA.V	1
4	2027581	PRESSURE GAUGE 0-6BAR D50 G1/4"HIND INL	1
5	2027583	FLEX.HOSE R1"M(W90°)-1"F550PN10 ACS.VP.	1
6	2068034	DISTRIBUTOR BRASS R1" TYPE RCLL 91 MM	1
7	2027585	ANGLE FITTING BRASS R1" TYPE RCM/F	1
8	2042873	FLAT GASKET 21x30x2 C4400 VP.	1
9	2027591	CONNECTION CABLE HMP/ HMHI/-1~230 CPL.	1
10	2042988	THREADED EXTENSION PIECE G1/4" BRASS	1
11	2042895	CONNECTION SET HMP/C3 /HMHI2 TR	1

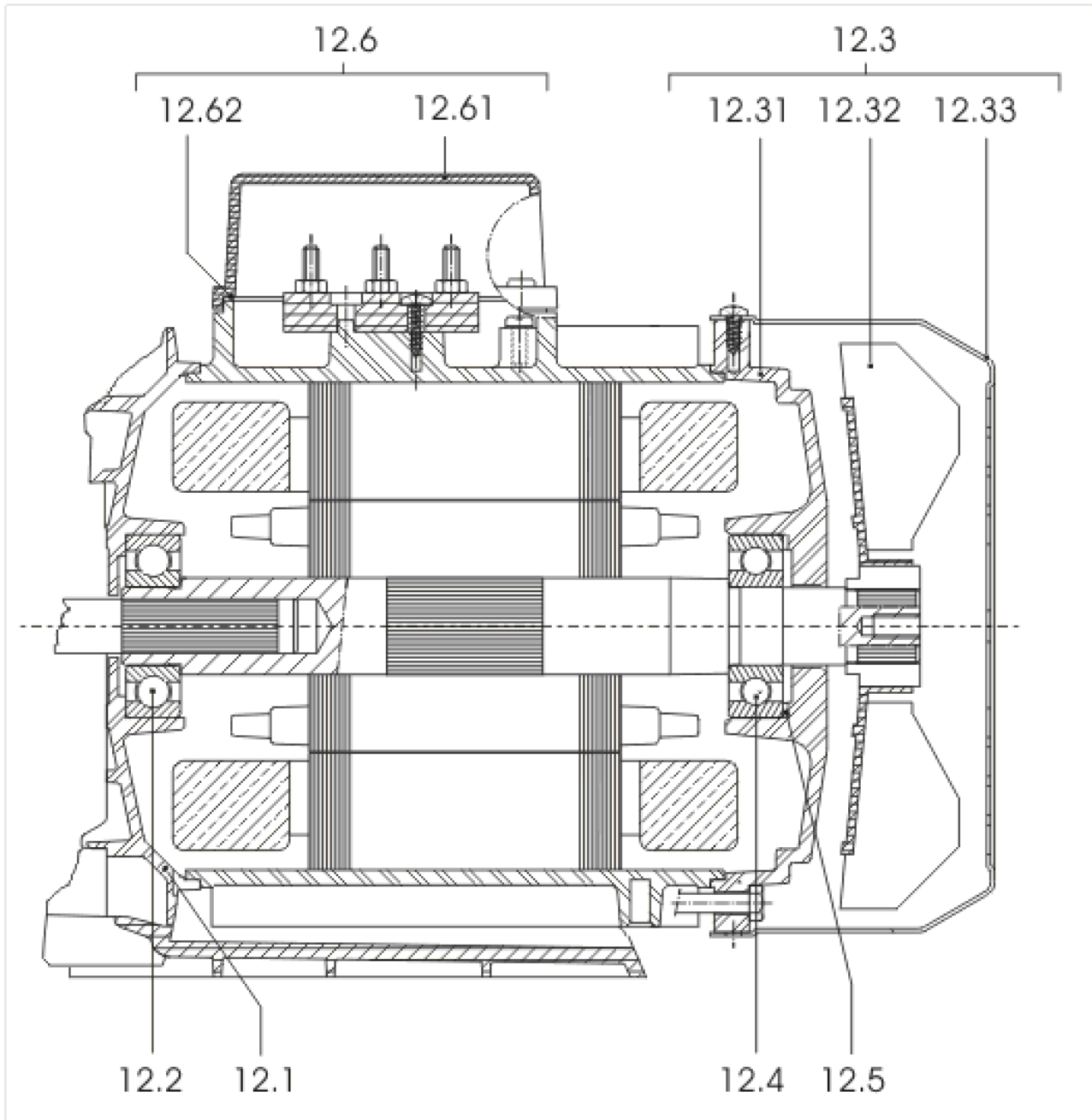


MC305-EM TO VERSION: /E

Item	Article no.	Description	Quantity
1	4076322	CORPS-FAB-SPRINGSON-5ETAGES-INOX304	1
2	4054533	MC304-305 PUMP 1st STAGE KIT New range	1
Note: STAGE/ STUFE/ ETAGE: 1			
2.1	2123700	> FLAP METAL MC VP.	1
2.2		> SUCTION CASING VALVE EPDM AND STAIN.STEE	1
2.3		> IMPELLER MVI2 D.98x2 1.4301	1
2.4		> STAGE HOUSING SUPPORT VALVE	1
2	4067351	1st STAGE KIT MC PUMP PLASTIC IMPELLER	1
Note: STAGE/ STUFE/ ETAGE: 1FROM/ AB/ À PARTIR DE: MC305-EM/E			
2.1	2123700	> FLAP METAL MC VP.	1
2.2		> SUCTION CASING VALVE EPDM AND STAIN.STEE	1
2.3		> IMPELLER-2M3-SP-HY-LOW-FLOW	1
2.4		> STAGE HOUSING SUPPORT VALVE	1
3	4054534	MC304-305 PUMP OTHERS STAGES KIT New ran	1
Note: STAGE/ STUFE/ ETAGE: 2/3/4			
2.3		> IMPELLER MVI2 D.98x2 1.4301	1
3.1		> STAGE CASING WITH RETURN GUIDE VANE-SP	1
3	4067352	OTHERS STAGES KIT MC SILENT MASTER	1
Note: STAGE/ STUFE/ ETAGE: 2/3/4FROM/ AB/ À PARTIR DE: MC305-EM/E			
2.3		> IMPELLER-2M3-SP-HY-LOW-FLOW	1
3.1		> STAGE CASING WITH RETURN GUIDE VANE-SP	1
4	4054535	LAST STAGE KIT MC304-305 PUMP New range	1
Note: STAGE/ STUFE/ ETAGE: 5			
2.3		> IMPELLER MVI2 D.98x2 1.4301	1
3.1		> STAGE CASING WITH RETURN GUIDE VANE-SP	1
4.1		> CANAL-RET-ULTEM2300	1
4	4067353	LAST STAGE KIT MC PUMP PLASTIC IMPELL	1
Note: STAGE/ STUFE/ ETAGE: 5FROM/ AB/ À PARTIR DE: MC305-EM/E			
2.3		> IMPELLER-2M3-SP-HY-LOW-FLOW	1
3.1		> STAGE CASING WITH RETURN GUIDE VANE-SP	1
4.1		> CANAL-RET-ULTEM2300	1
5	4049859	MULTICARGO PUMP MECHANICAL SEAL KIT	1
5.1	4036284	> GASKET-115X1-NITRILE	1
5.2	4017965	> O-RING D9,9X2,62 NITRILE 70SH	1

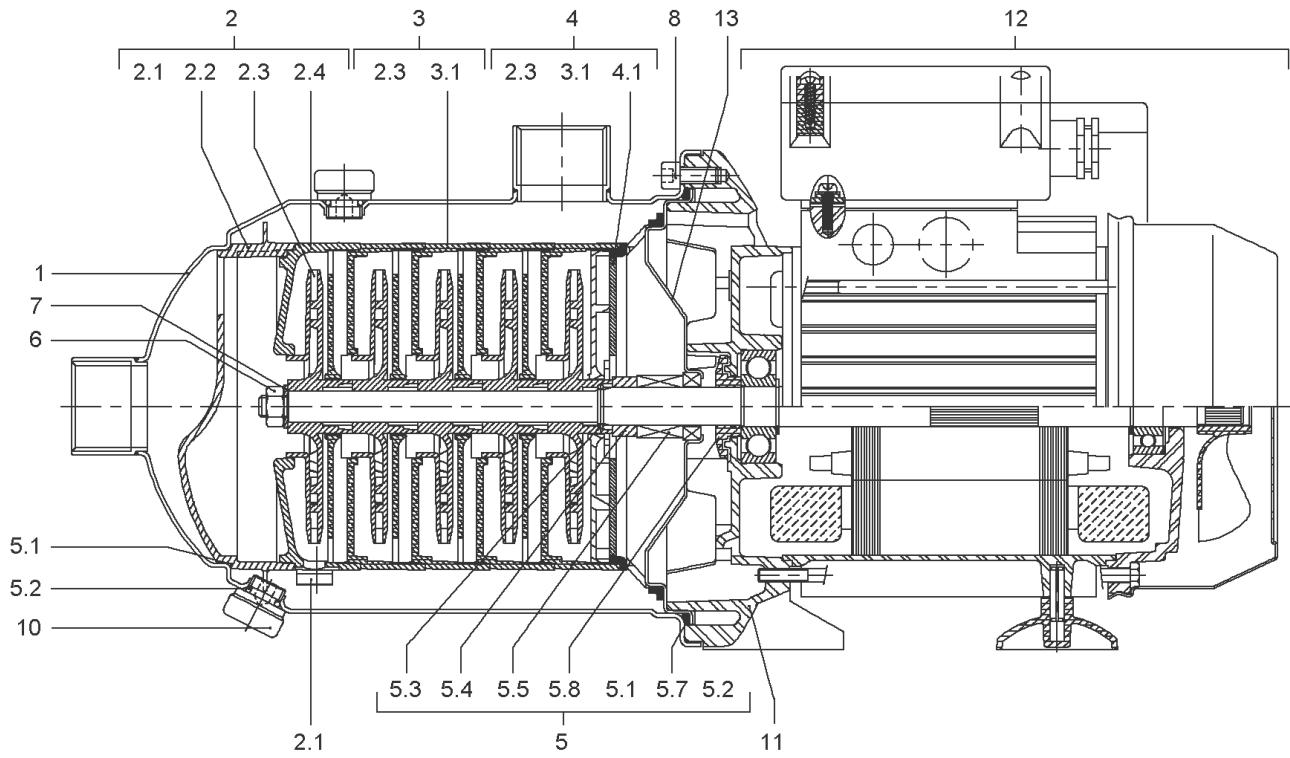
MC305-EM TO VERSION: /E

Item	Article no.	Description	Quantity
5.3	2090148	> CIRCLIP D14 MVI/MHI 316L (2 PIECES) VP.	1
		>> STOP-RUSH-1/2-D14-VMI/HMI-316	2
5.4		> DEFLECTOR D14xD22EP9 NORYL	1
5.5		> MECH.SEAL MG9/14 G60 BVPFF GM.BURGMANN	1
5.6		> THROWER 65/70SH-NITRILE	1
5.7	4233945	> O-RING ID.140 VP.	1
5.8		> THROWER-RUBBER-SH65/70	1
6	4056417	NUT M8 INOX 1.4404	1
7	74960033407	DISC MP3/6+MC3/6	1
8	4031762	SCREW M6X30 ISO4762 8.8 ZN	1
Note: PARTS/ STÜCK/ PIÈCES: 8			
9	4031766	NUT M6 MP3/6	1
Note: PARTS/ STÜCK/ PIÈCES: 8			
10	2188170	Drain plug/o-ring G1/4" KIT	1
11	4045110	LANTERN BRACKET	1
12		SPARE PARTS MOTOR MC305-EM (MG71)	1



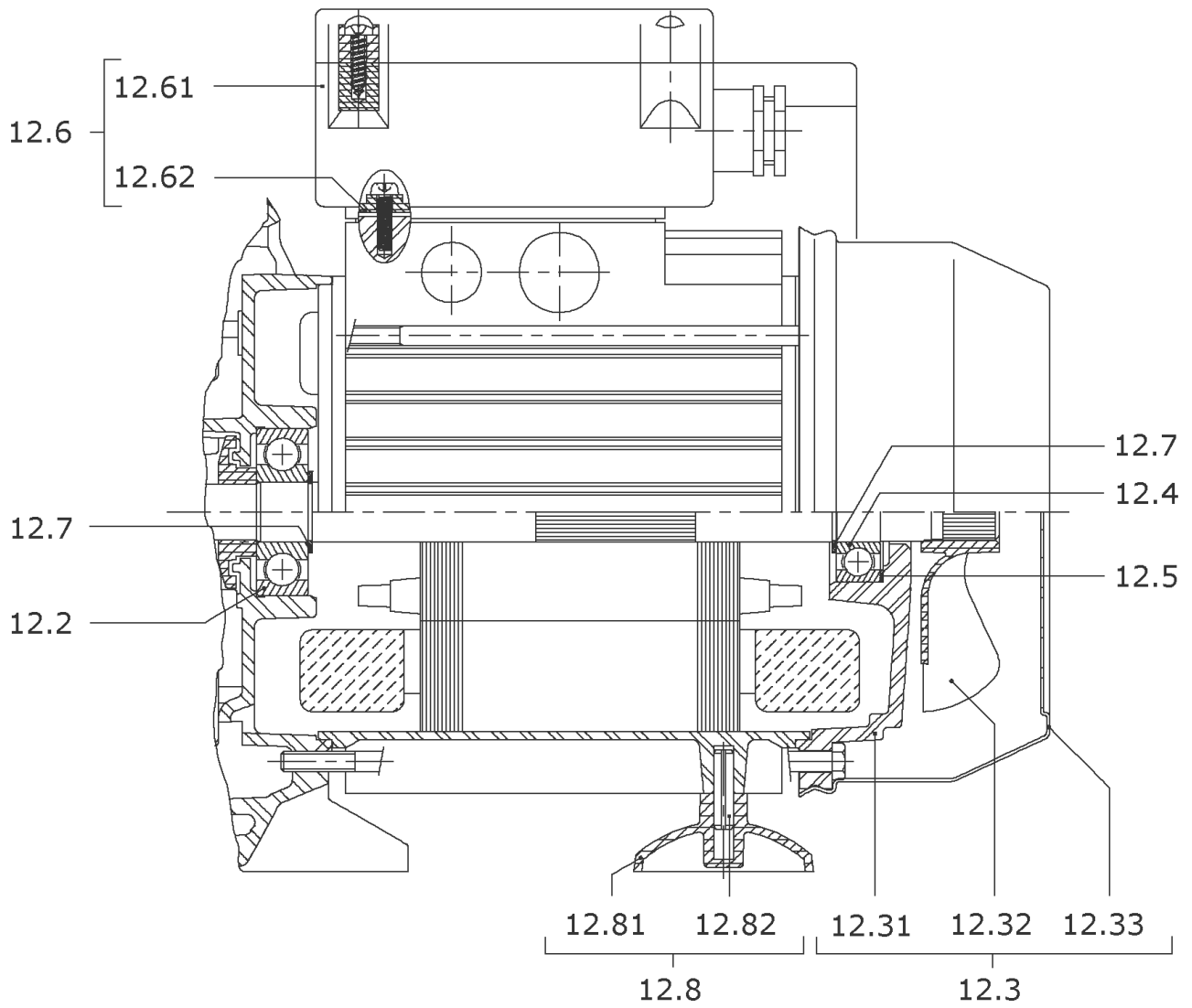
SPARE PARTS MOTOR MC305-EM (MG71)

Item	Article no.	Description	Quantity
12.1	4028055	END SHILD AS MP3/MP603+604 +PK.	1
7.6	4185162	BALL-BEARING-6302-C3-DDU-E-EA6 VP.	1
12.3	2048812	FAN D.110 MG.71 MC KIT	1
12.31		> REAR-BEARING-MOT71-D110-LOCKING	1
12.32	4233938	> Motor fan T63-71 D100 VP.	1
12.33	4202863	> FAN-COVER-MOTOR71-D110-LOCKING VP.	1
12.4	122097891	BALL BEARING 6202/2Z-C3 (HT) VP.	1
12.5	4215742	Crinkled washer 6202/6300-C3 VP.	1
12.6	4090073	TERMINAL BOX KIT MC-EM (71)	1
12.61	4007672	> TERMINAL-BOX-COVER-MOT-MONO-71	1
12.62	4209688	> Flat-Gasket-BAB-MOT71 VP.	1
	2132533	> CAPACITOR 16MF 470V CA.LG.210 V1EC2 VP.	1
		> SCREW-CBL-Z-C/AT-ST3,5L13ZINGUE	1
		> SCREW F.KKD.(MHI2/4/8)	1
		> NUT-HM4-BRASS	1
	4207951	CIRCLIP D15X1 VP.	1



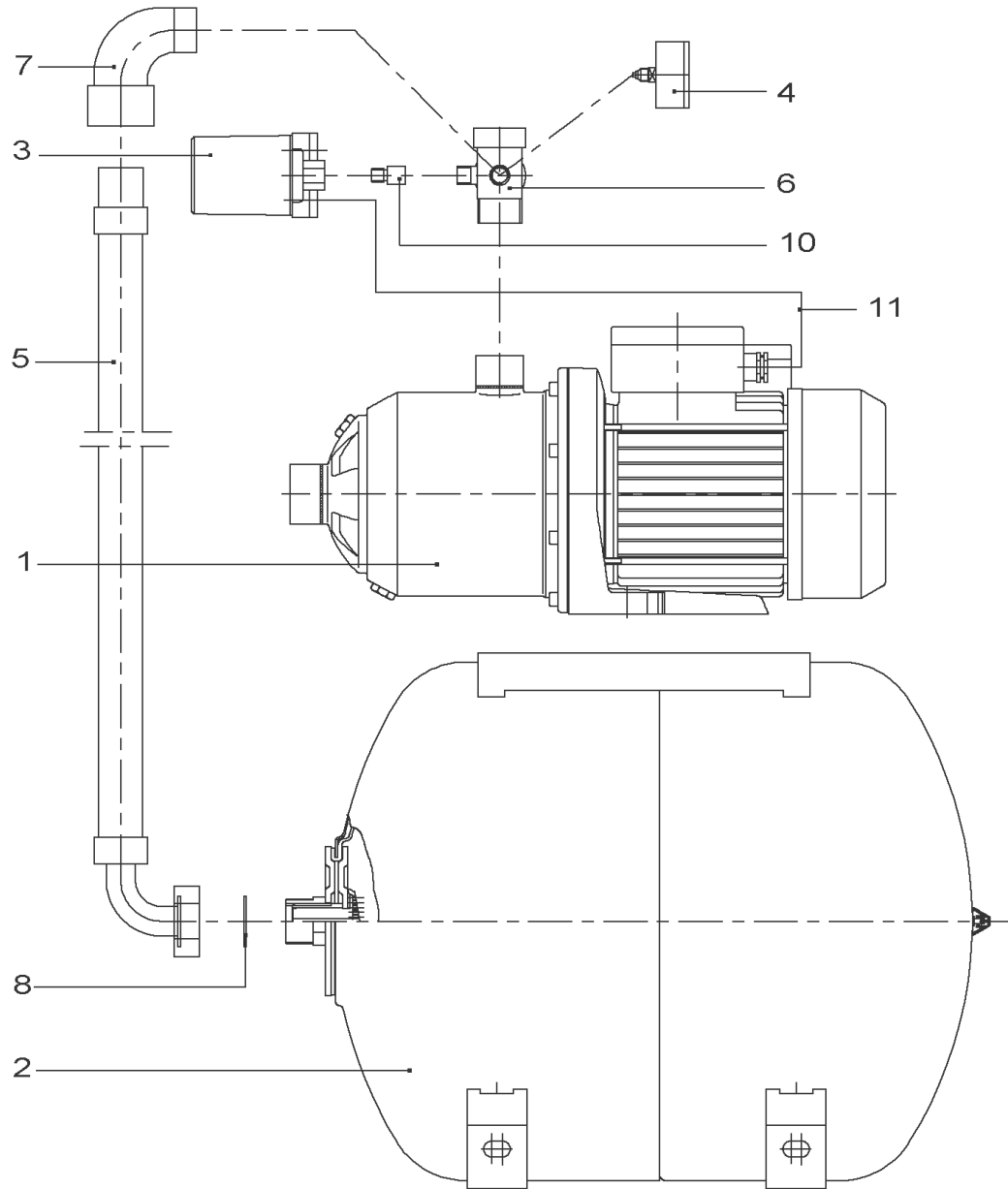
MC305-EM FROM VERSION: /F

Item	Article no.	Description	Quantity
1	4076322	CORPS-FAB-SPRINGSON-5ETAGES-INOX304	1
2	4067351	1st STAGE KIT MC PUMP PLASTIC IMPELLER	1
Note: STAGE/ STUFE/ ETAGE: 1			
2.1	2123700	> FLAP METAL MC VP.	1
2.2		> SUCTION CASING VALVE EPDM AND STAIN.STEE	1
2.3		> IMPELLER-2M3-SP-HY-LOW-FLOW	1
2.4		> STAGE HOUSING SUPPORT VALVE	1
3	4067352	OTHERS STAGES KIT MC SILENT MASTER	1
Note: STAGE/ STUFE/ ETAGE: 2/3/4			
2.3		> IMPELLER-2M3-SP-HY-LOW-FLOW	1
3.1		> STAGE CASING WITH RETURN GUIDE VANE-SP	1
4	4144673	LAST STAGE KIT MC PUMP ALU LANTERN	1
Note: STAGE/ STUFE/ ETAGE: 5			
2.3		> IMPELLER-2M3-SP-HY-LOW-FLOW	1
3.1		> STAGE CASING WITH RETURN GUIDE VANE-SP	1
4.1		> DIFFUSOR STG WITH RETU CHANNEL-SP/MC	1
5	4049859	MULTICARGO PUMP MECHANICAL SEAL KIT	1
5.1	4036284	> GASKET-115X1-NITRILE	1
5.2	4017965	> O-RING D9,9X2,62 NITRILE 70SH	1
5.3	2090148	> CIRCLIP D14 MVI/MHI 316L (2 PIECES) VP.	1
		>> STOP-RUSH-1/2-D14-VMI/HMI-316	2
5.4		> DEFLECTOR D14xD22EP9 NORYL	1
5.5		> MECH.SEAL MG9/14 G60 BVPFF GM.BURGMANN	1
5.6		> THROWER 65/70SH-NITRILE	1
5.7	4233945	> O-RING ID.140 VP.	1
5.8		> THROWER-RUBBER-SH65/70	1
6	4056417	NUT M8 INOX 1.4404	1
8	4007350	SCREW M6X14 ISO4762 8.8 ZN	1
Note: PARTS/ STÜCK/ PIÈCES: 8			
10	2188170	Drain plug/o-ring G1/4" KIT	1
11	4025172	LANTERN MACHINED P171 M125	1
12		SPARE PARTS MOTOR MC305-EM/F (MG71)	1
13	4004679	Stationnary Ring Holder 1.4301	1



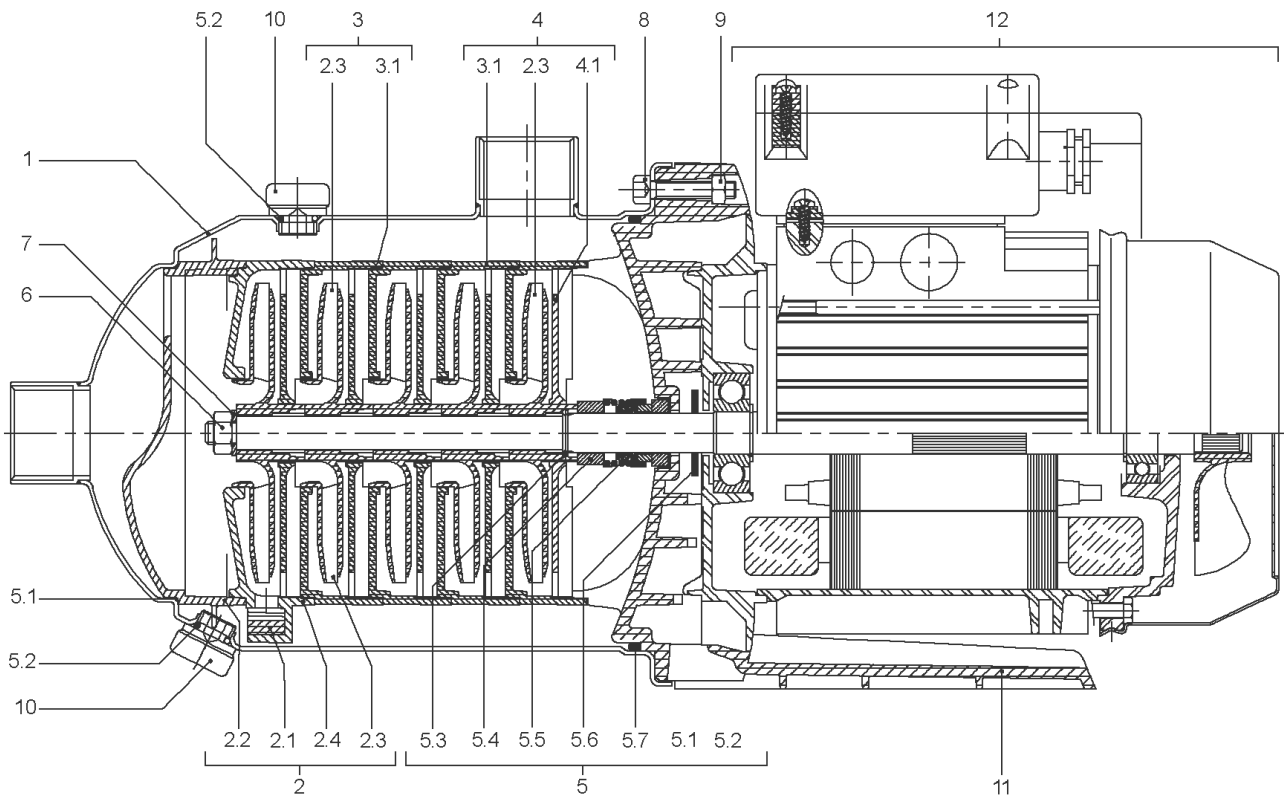
SPARE PARTS MOTOR MC305-EM/F (MG71)

Item	Article no.	Description	Quantity
7.6	4185162	BALL-BEARING-6302-C3-DDU-E-EA6 VP.	1
12.3	2048820	FAN D.100 MG.71 MP KIT	1
12.32	4233938	> Motor fan T63-71 D100 VP.	1
12.33		> FAN-COVER-MOTOR71-D110-LOCKING	1
12.31		> REAR-BEARING-MOT71-D110-GROOVE	1
12.4	122097891	BALL BEARING 6202/2Z-C3 (HT) VP.	1
12.5	4215742	Crinkled washer 6202/6300-C3 VP.	1
12.6	4090073	TERMINAL BOX KIT MC-EM (71)	1
12.61	4007672	> TERMINAL-BOX-COVER-MOT-MONO-71	1
12.62	4209688	> Flat-Gasket-BAB-MOT71 VP.	1
	2132533	> CAPACITOR 16MF 470V CA.LG.210 V1EC2 VP.	1
		> SCREW-CBL-Z-C/AT-ST3,5L13ZINGUE	1
		> SCREW F.KKD.(MHI2/4/8)	1
		> NUT-HM4-BRASS	1
12.7	4207951	CIRCLIP D15X1 VP.	1
12.8	2106111	MOTOR FOOT MG.71 KIT	1
12.81		> MOTOR-SUPPORT-71	1
12.82		> SPRING-PIN-A5L20E	1



HMC604 DM (2511910)

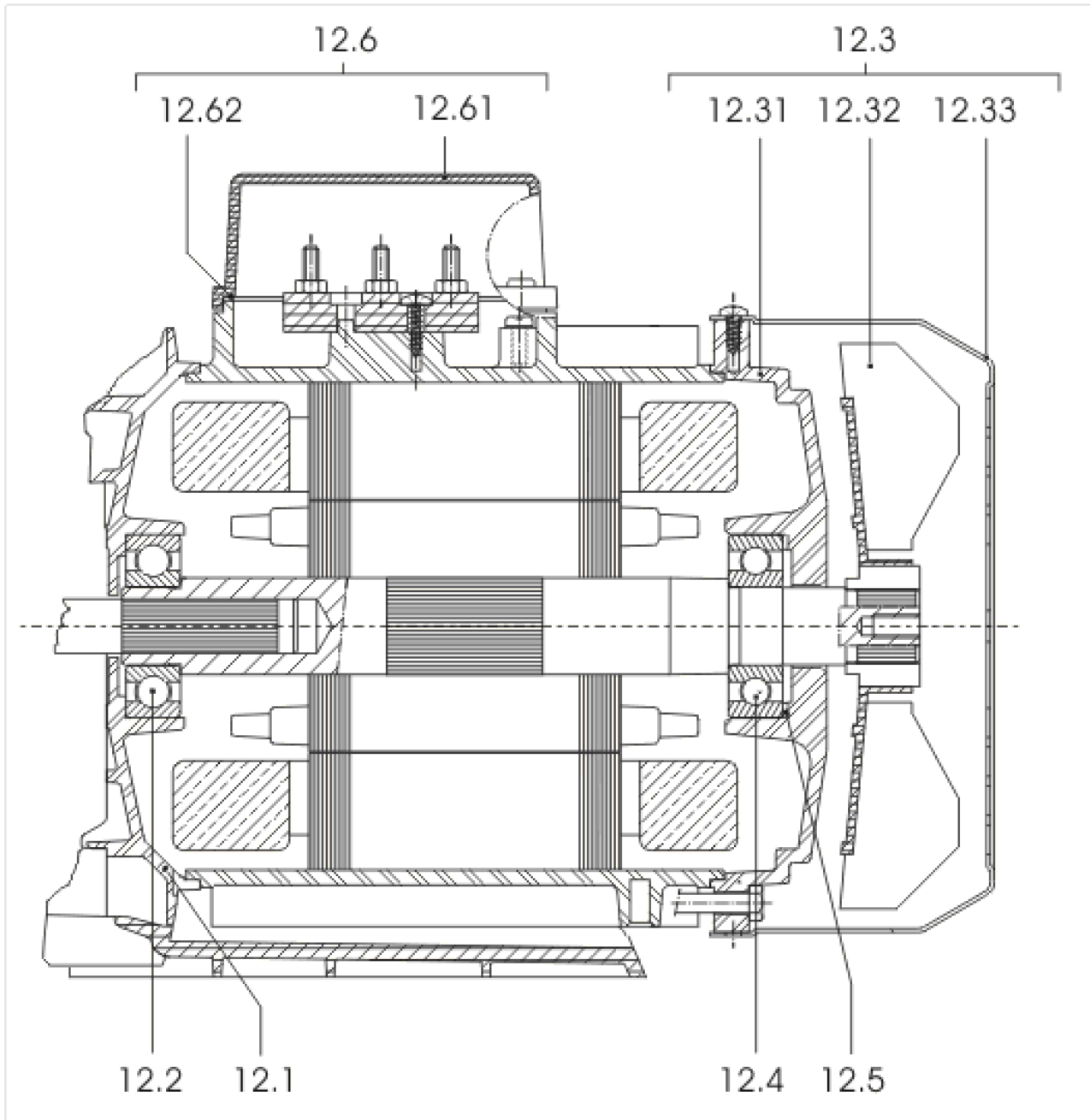
Item	Article no.	Description	Quantity
1		MC604-DM	1
		> MC604-DM TO VERSION: /E	1
		> MC604-DM FROM VERSION: /F	1
2	2027578	DIAPHRAGM VESSEL 50L PN10 HWW VP.	1
	2124000	DIAPHRAGM 50L HW ACS VP.	1
Note: for pressure vessel/für Membranbehälter/pour reservoir: 2527268			
	2132491	DIAPHRAGM 50L-HWW VP.	1
Note: for pressure vessel/für Membranbehälter/pour reservoir: 2537381			
3	2027579	PRESSURE SWITCH PT5 1-5BAR R1/4"-I-GEW.	1
4	2027581	PRESSURE GAUGE 0-6BAR D50 G1/4"HIND INL	1
5	2027583	FLEX.HOSE R1"M(W90°)-1"F550PN10 ACS.VP.	1
6	2068034	DISTRIBUTOR BRASS R1" TYPE RCLL 91 MM	1
7	2027585	ANGLE FITTING BRASS R1" TYPE RCM/F	1
8	2042873	FLAT GASKET 21x30x2 C4400 VP.	1
10	2042988	THREADED EXTENSION PIECE G1/4" BRASS	1
11	2042874	CONNECTION CABLE HMC/HMP/HMH MOTOR 3~400	1



MC604-DM TO VERSION: /E

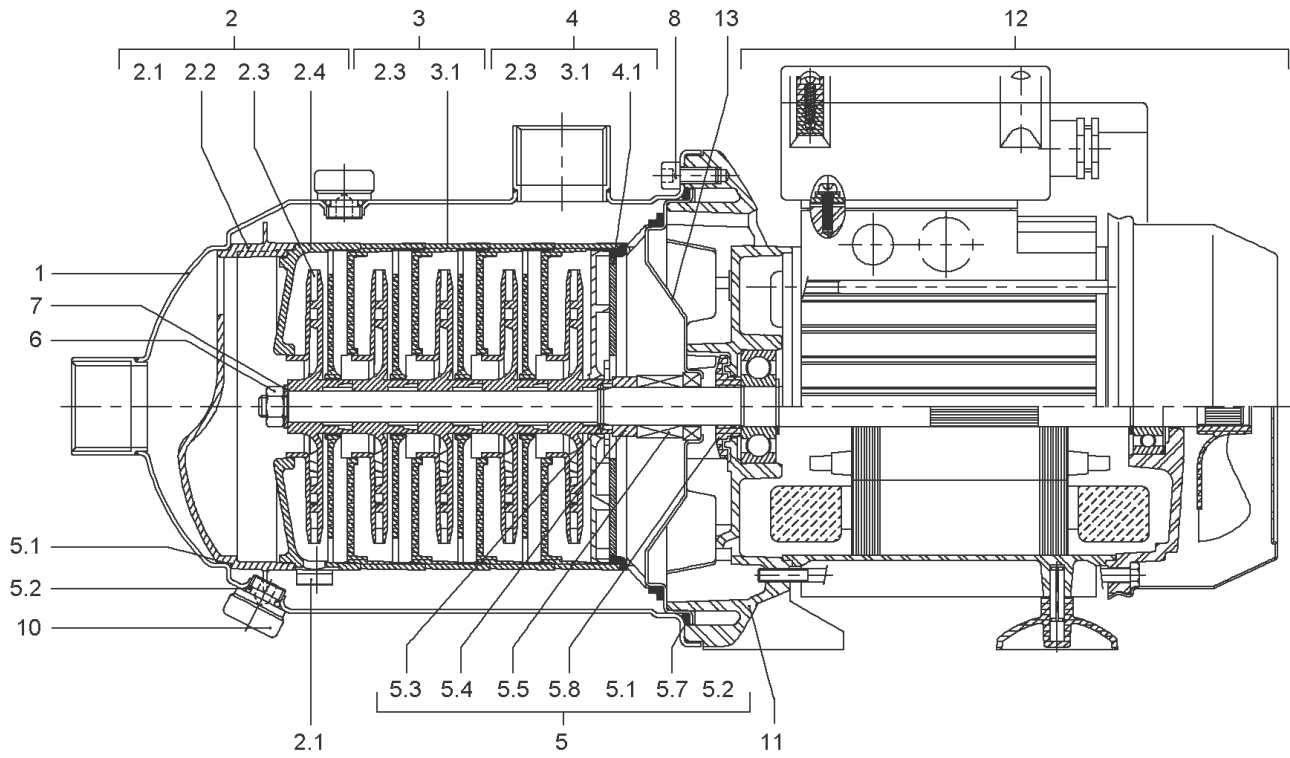
Item	Article no.	Description	Quantity
1	4233946	PUMPHOUSING MC 4 STAGE VP.	1
2	4054544	MC604-605 PUMP 1st STAGE KIT New range	1
Note: STAGE/ STUFE/ ETAGE: 1			
2.1	2123700	> FLAP METAL MC VP.	1
2.2		> SUCTION CASING VALVE EPDM AND STAIN.STEE	1
2.3		> IMPELLER-4M3-SP-LOW-FLOW	1
2.4		> STAGE HOUSING SUPPORT VALVE	1
3	4049864	MC604-605 PUMP OTHERS STAGES KIT	1
Note: STAGE/ STUFE/ ETAGE: 2/3			
2.3		> IMPELLER-4M3-SP	1
3.1		> STAGE CASING WITH RETURN GUIDE VANE-SP	1
4	4049865	LAST STAGE KIT MC604-605 PUMP	1
Note: STAGE/ STUFE/ ETAGE: 4			
2.3		> IMPELLER-4M3-SP-LOW-FLOW	1
3.1		> STAGE CASING WITH RETURN GUIDE VANE-SP	1
4.1		> CANAL-RET-ULTEM2300	1
5	4049859	MULTICARGO PUMP MECHANICAL SEAL KIT	1
5.1	4036284	> GASKET-115X1-NITRILE	1
5.2	4017965	> O-RING D9,9X2,62 NITRILE 70SH	1
5.3	2090148	> CIRCLIP D14 MVI/MHI 316L (2 PIECES) VP.	1
		>> STOP-RUSH-1/2-D14-VMI/HMI-316	2
5.4		> DEFLECTOR D14xD22EP9 NORYL	1
5.5		> MECH.SEAL MG9/14 G60 BVPFF GM.BURGMANN	1
5.6		> THROWER 65/70SH-NITRILE	1
5.7	4233945	> O-RING ID.140 VP.	1
5.8		> THROWER-RUBBER-SH65/70	1
6	4056417	NUT M8 INOX 1.4404	1
7	74960033407	DISC MP3/6+MC3/6	1
8	4031762	SCREW M6X30 ISO4762 8.8 ZN	1
Note: PARTS/ STÜCK/ PIÈCES: 8			
9	4031766	NUT M6 MP3/6	1
Note: PARTS/ STÜCK/ PIÈCES: 8			
10	2188170	Drain plug/o-ring G1/4" KIT	1
11	4045110	LANTERN BRACKET	1

Item	Article no.	Description	Quantity
12		SPARE PARTS MOTOR MC604-DM(MG71)	1



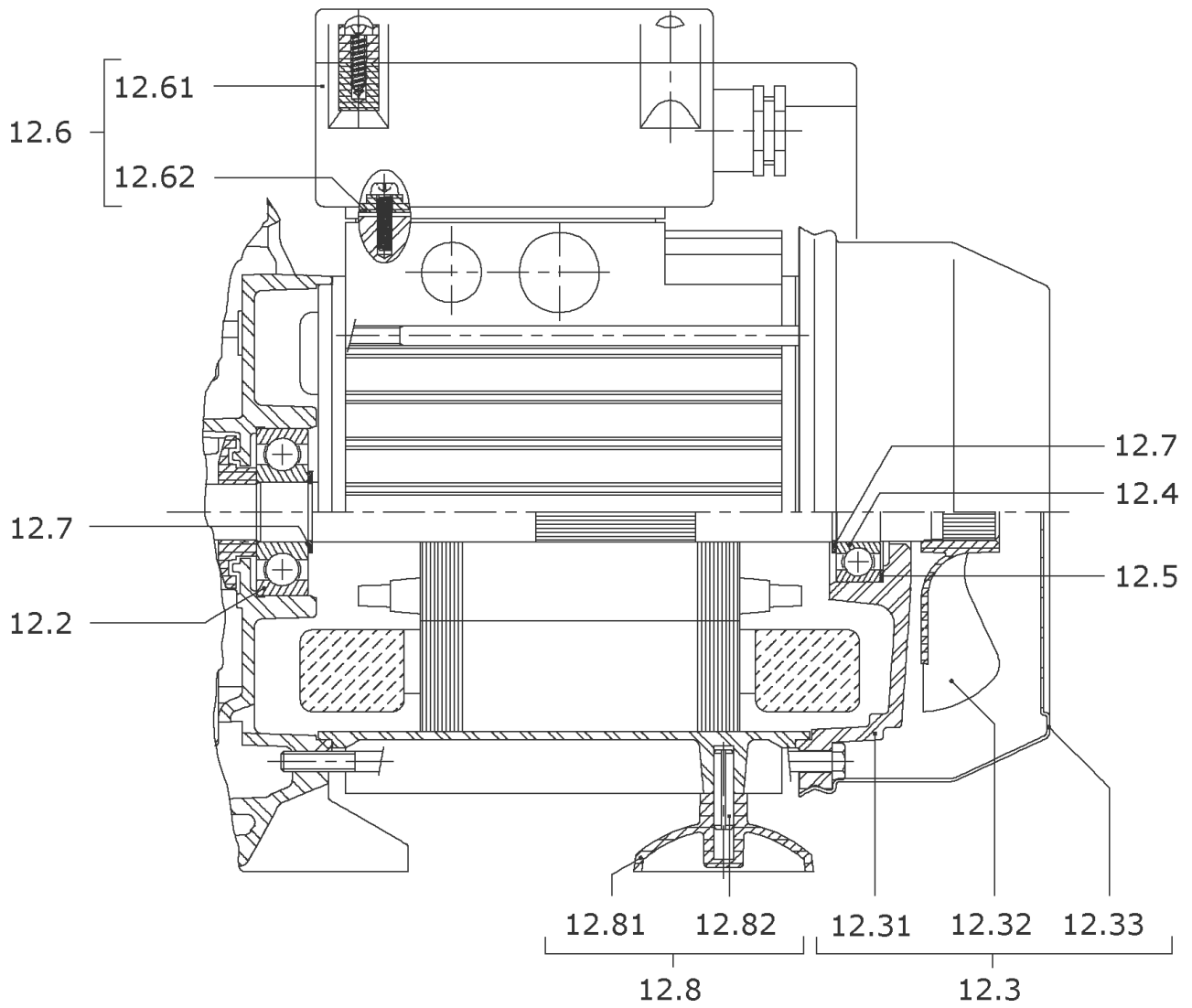
SPARE PARTS MOTOR MC604-DM(MG71)

Item	Article no.	Description	Quantity
12.1	4028055	END SHILD AS MP3/MP603+604 +PK.	1
7.6	4185162	BALL-BEARING-6302-C3-DDU-E-EA6 VP.	1
12.3	2048812	FAN D.110 MG.71 MC KIT	1
12.31		> REAR-BEARING-MOT71-D110-LOCKING	1
12.32	4233938	> Motor fan T63-71 D100 VP.	1
12.33	4202863	> FAN-COVER-MOTOR71-D110-LOCKING VP.	1
12.4	122097891	BALL BEARING 6202/2Z-C3 (HT) VP.	1
12.5	4215742	Crinkled washer 6202/6300-C3 VP.	1
12.6	4090076	TERMINAL BOX KIT MC-DM (71)	1
12.61	4210082	> Terminal-Box-Cover-MOT-TRI-71 VP.	1
12.62	4209688	> Flat-Gasket-BAB-MOT71 VP.	1
	4057378	> TERMINAL BLOCK 50/32 6P	1
		> M3,5L14 THREAD FORMING SCREW	1
	4207951	CIRCLIP D15X1 VP.	1



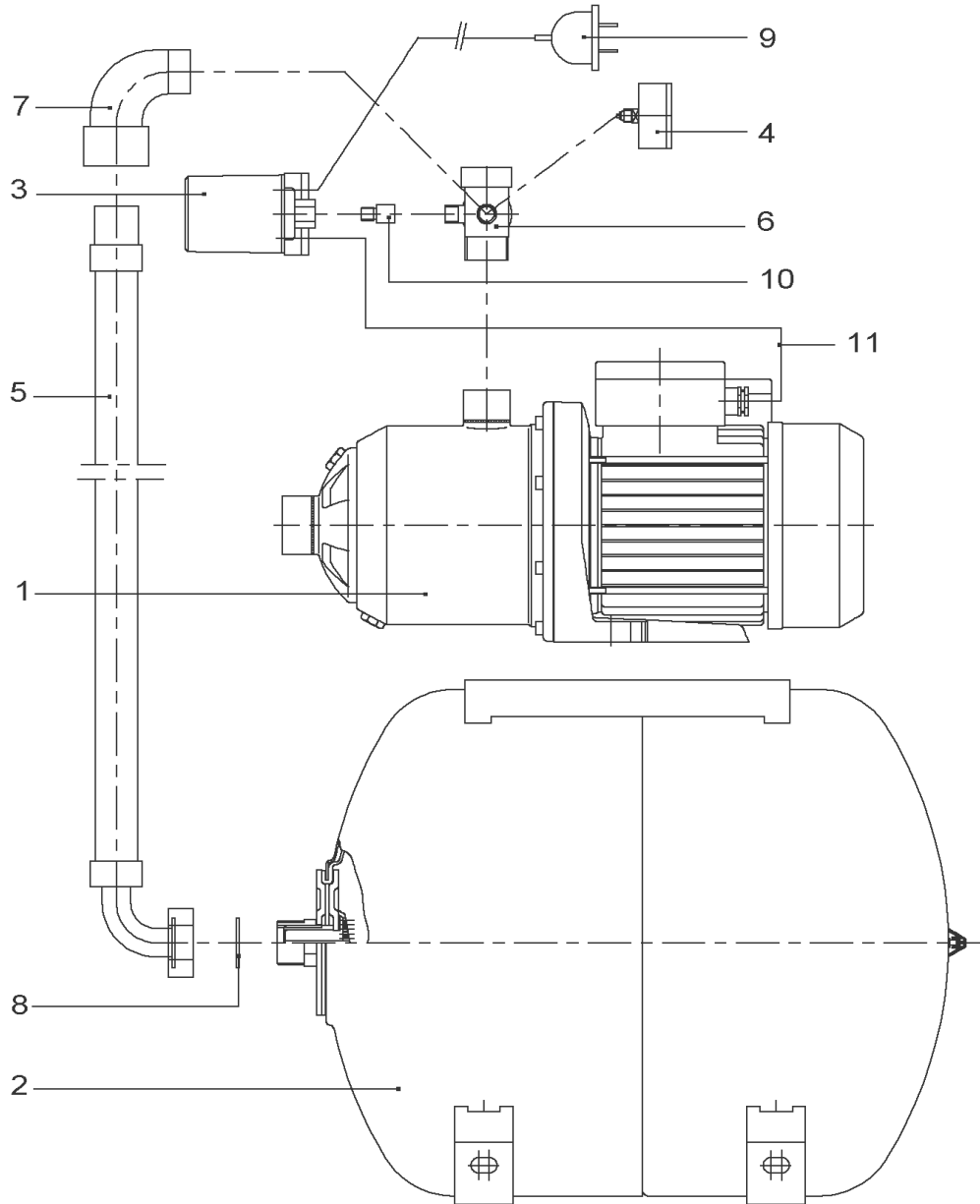
MC604-DM FROM VERSION: /F

Item	Article no.	Description	Quantity
1	4233946	PUMPHOUSING MC 4 STAGE VP.	1
2	4054544	MC604-605 PUMP 1st STAGE KIT New range	1
Note: STAGE/ STUFE/ ETAGE: 1			
2.1	2123700	> FLAP METAL MC VP.	1
2.2		> SUCTION CASING VALVE EPDM AND STAIN.STEE	1
2.3		> IMPELLER-4M3-SP-LOW-FLOW	1
2.4		> STAGE HOUSING SUPPORT VALVE	1
3	4049864	MC604-605 PUMP OTHERS STAGES KIT	1
Note: STAGE/ STUFE/ ETAGE: 2/3			
2.3		> IMPELLER-4M3-SP	1
3.1		> STAGE CASING WITH RETURN GUIDE VANE-SP	1
4	4144682	LAST STAGE KIT MC604-605 ALU LANTERN	1
Note: STAGE/ STUFE/ ETAGE: 4			
2.3		> IMPELLER-4M3-SP-LOW-FLOW	1
3.1		> STAGE CASING WITH RETURN GUIDE VANE-SP	1
4.1		> DIFFUSOR STG WITH RETU CHANNEL-SP/MC	1
5	4049859	MULTICARGO PUMP MECHANICAL SEAL KIT	1
5.1	4036284	> GASKET-115X1-NITRILE	1
5.2	4017965	> O-RING D9,9X2,62 NITRILE 70SH	1
5.3	2090148	> CIRCLIP D14 MVI/MHI 316L (2 PIECES) VP.	1
		>> STOP-RUSH-1/2-D14-VMI/HMI-316	2
5.4		> DEFLECTOR D14xD22EP9 NORYL	1
5.5		> MECH.SEAL MG9/14 G60 BVPFF GM.BURGMANN	1
5.6		> THROWER 65/70SH-NITRILE	1
5.7	4233945	> O-RING ID.140 VP.	1
5.8		> THROWER-RUBBER-SH65/70	1
6	4056417	NUT M8 INOX 1.4404	1
8	4007350	SCREW M6X14 ISO4762 8.8 ZN	1
Note: PARTS/ STÜCK/ PIÈCES: 8			
10	2188170	Drain plug/o-ring G1/4" KIT	1
11	4025172	LANTERN MACHINED P171 M125	1
12		SPARE PARTS MOTOR MC604-DM/F (MG71)	1
13	4004679	Stationnary Ring Holder 1.4301	1



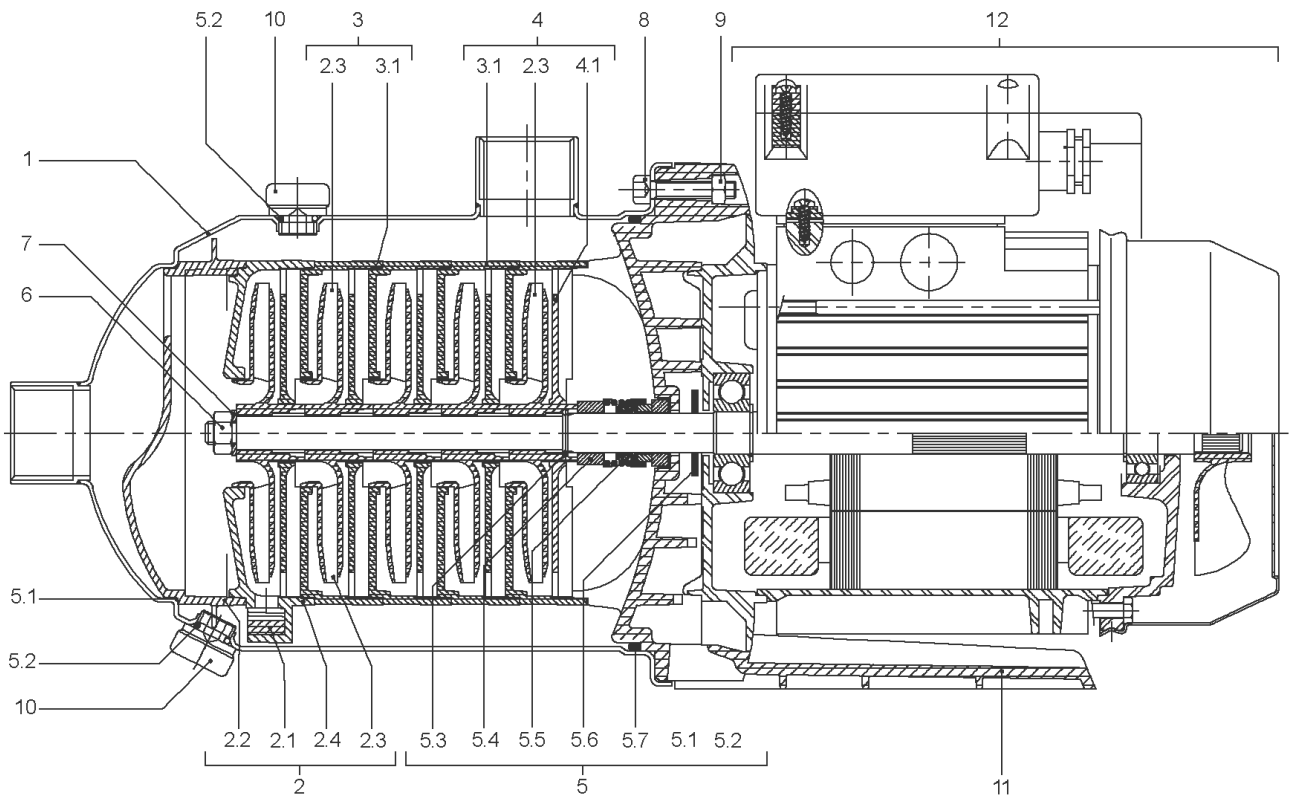
SPARE PARTS MOTOR MC604-DM/F (MG71)

Item	Article no.	Description	Quantity
7.6	4185162	BALL-BEARING-6302-C3-DDU-E-EA6 VP.	1
12.3	2048820	FAN D.100 MG.71 MP KIT	1
12.32	4233938	> Motor fan T63-71 D100 VP.	1
12.33		> FAN-COVER-MOTOR71-D110-LOCKING	1
12.31		> REAR-BEARING-MOT71-D110-GROOVE	1
12.4	122097891	BALL BEARING 6202/2Z-C3 (HT) VP.	1
12.5	4215742	Crinkled washer 6202/6300-C3 VP.	1
12.6	4090076	TERMINAL BOX KIT MC-DM (71)	1
12.61	4210082	> Terminal-Box-Cover-MOT-TRI-71 VP.	1
12.62	4209688	> Flat-Gasket-BAB-MOT71 VP.	1
	4057378	> TERMINAL BLOCK 50/32 6P	1
		> M3,5L14 THREAD FORMING SCREW	1
12.7	4207951	CIRCLIP D15X1 VP.	1
12.8	2106111	MOTOR FOOT MG.71 KIT	1
12.81		> MOTOR-SUPPORT-71	1
12.82		> SPRING-PIN-A5L20E	1



HMC604 EM (2511906)

Item	Article no.	Description	Quantity
1		MC604-EM	1
		> MC604-EM TO VERSION: /D	1
		> MC604-EM FROM VERSION: /E	1
1	4230656	MC604-EM VP.	1
2	2027578	DIAPHRAGM VESSEL 50L PN10 HWW VP.	1
	2124000	DIAPHRAGM 50L HW ACS VP.	1
Note: for pressure vessel/für Membranbehälter/pour reservoir: 2527268			
	2132491	DIAPHRAGM 50L-HWW VP.	1
Note: for pressure vessel/für Membranbehälter/pour reservoir: 2537381			
3	2106339	PRESSURE SWITCH PM5XH05 ACS 2.2/3.5+CA.V	1
4	2027581	PRESSURE GAUGE 0-6BAR D50 G1/4"HIND INL	1
5	2027583	FLEX.HOSE R1"M(W90°)-1"F550PN10 ACS.VP.	1
6	2068034	DISTRIBUTOR BRASS R1" TYPE RCLL 91 MM	1
7	2027585	ANGLE FITTING BRASS R1" TYPE RCM/F	1
8	2042873	FLAT GASKET 21x30x2 C4400 VP.	1
9	2027591	CONNECTION CABLE HMP/ HMHI/-1~230 CPL.	1
10	2042988	THREADED EXTENSION PIECE G1/4" BRASS	1

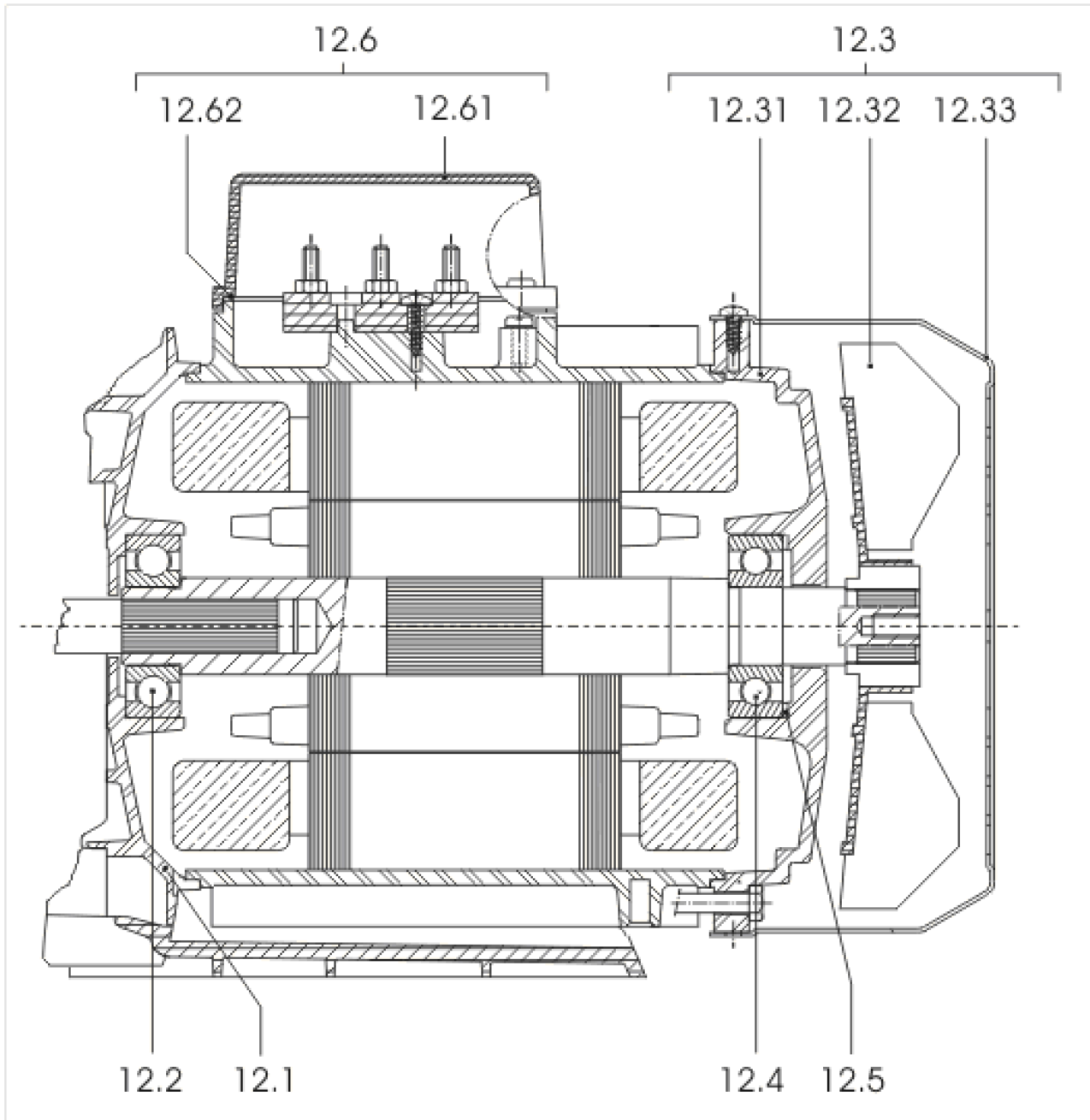


MC604-EM TO VERSION: /D

Item	Article no.	Description	Quantity
1	4233946	PUMPHOUSING MC 4 STAGE VP.	1
2	4054544	MC604-605 PUMP 1st STAGE KIT New range	1
Note: STAGE/ STUFE/ ETAGE: 1			
2.1	2123700	> FLAP METAL MC VP.	1
2.2		> SUCTION CASING VALVE EPDM AND STAIN.STEE	1
2.3		> IMPELLER-4M3-SP-LOW-FLOW	1
2.4		> STAGE HOUSING SUPPORT VALVE	1
3	4049864	MC604-605 PUMP OTHERS STAGES KIT	1
Note: STAGE/ STUFE/ ETAGE: 2/3			
2.3		> IMPELLER-4M3-SP	1
3.1		> STAGE CASING WITH RETURN GUIDE VANE-SP	1
4	4049865	LAST STAGE KIT MC604-605 PUMP	1
Note: STAGE/ STUFE/ ETAGE: 4			
2.3		> IMPELLER-4M3-SP-LOW-FLOW	1
3.1		> STAGE CASING WITH RETURN GUIDE VANE-SP	1
4.1		> CANAL-RET-ULTEM2300	1
5	4049859	MULTICARGO PUMP MECHANICAL SEAL KIT	1
5.1	4036284	> GASKET-115X1-NITRILE	1
5.2	4017965	> O-RING D9,9X2,62 NITRILE 70SH	1
5.3	2090148	> CIRCLIP D14 MVI/MHI 316L (2 PIECES) VP.	1
		>> STOP-RUSH-1/2-D14-VMI/HMI-316	2
5.4		> DEFLECTOR D14xD22EP9 NORYL	1
5.5		> MECH.SEAL MG9/14 G60 BVPFF GM.BURGMANN	1
5.6		> THROWER 65/70SH-NITRILE	1
5.7	4233945	> O-RING ID.140 VP.	1
5.8		> THROWER-RUBBER-SH65/70	1
6	4056417	NUT M8 INOX 1.4404	1
7	74960033407	DISC MP3/6+MC3/6	1
8	4031762	SCREW M6X30 ISO4762 8.8 ZN	1
Note: PARTS/ STÜCK/ PIÈCES: 8			
9	4031766	NUT M6 MP3/6	1
Note: PARTS/ STÜCK/ PIÈCES: 8			
10	2188170	Drain plug/o-ring G1/4" KIT	1
11	4045110	LANTERN BRACKET	1

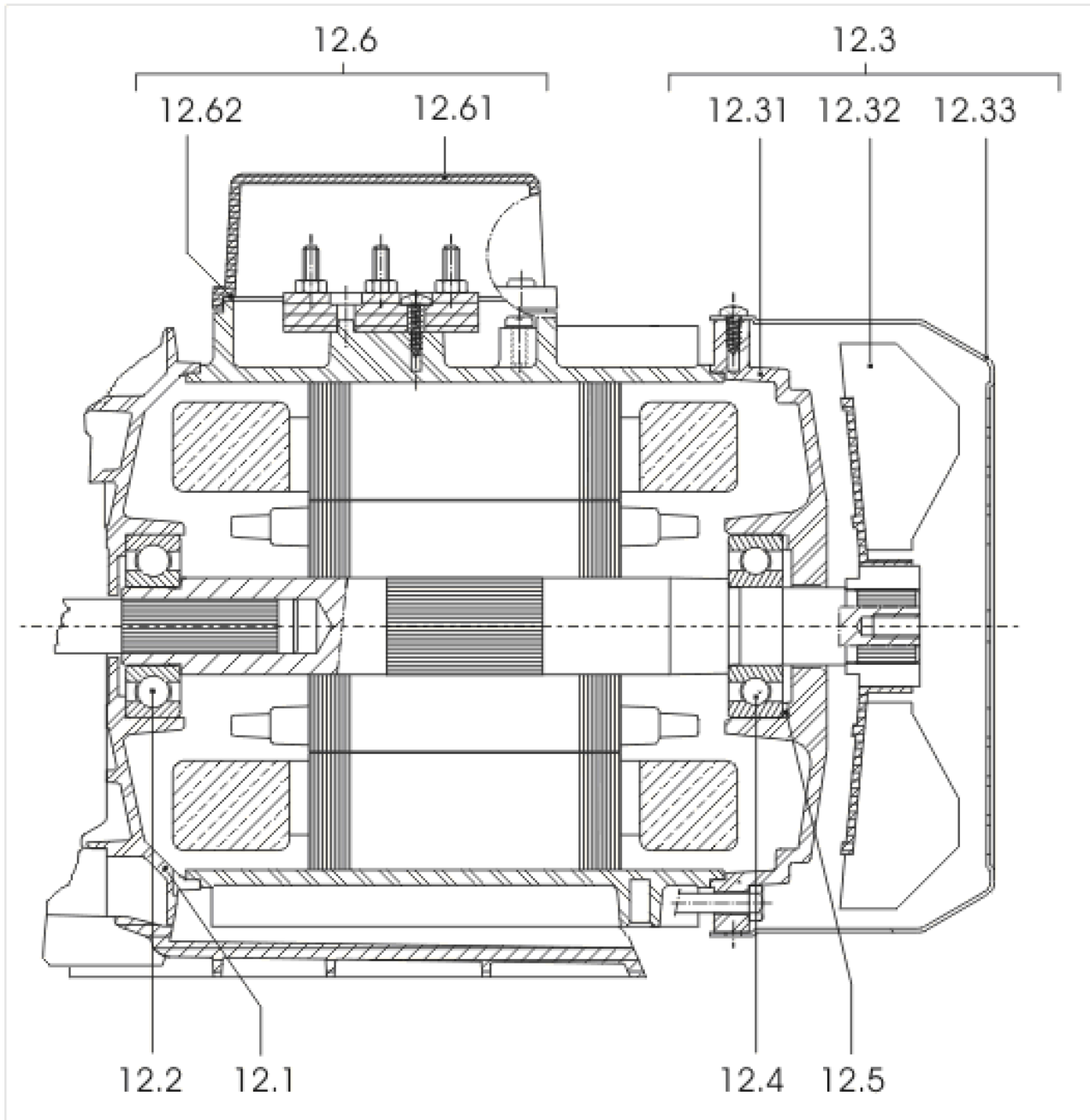
MC604-EM TO VERSION: /D

Item	Article no.	Description	Quantity
12		SPARE PARTS MOTOR MC604-EM/ -C (MG71)	1
12		SPARE PARTS MOTOR MC604-EM/ D (MG71)	1



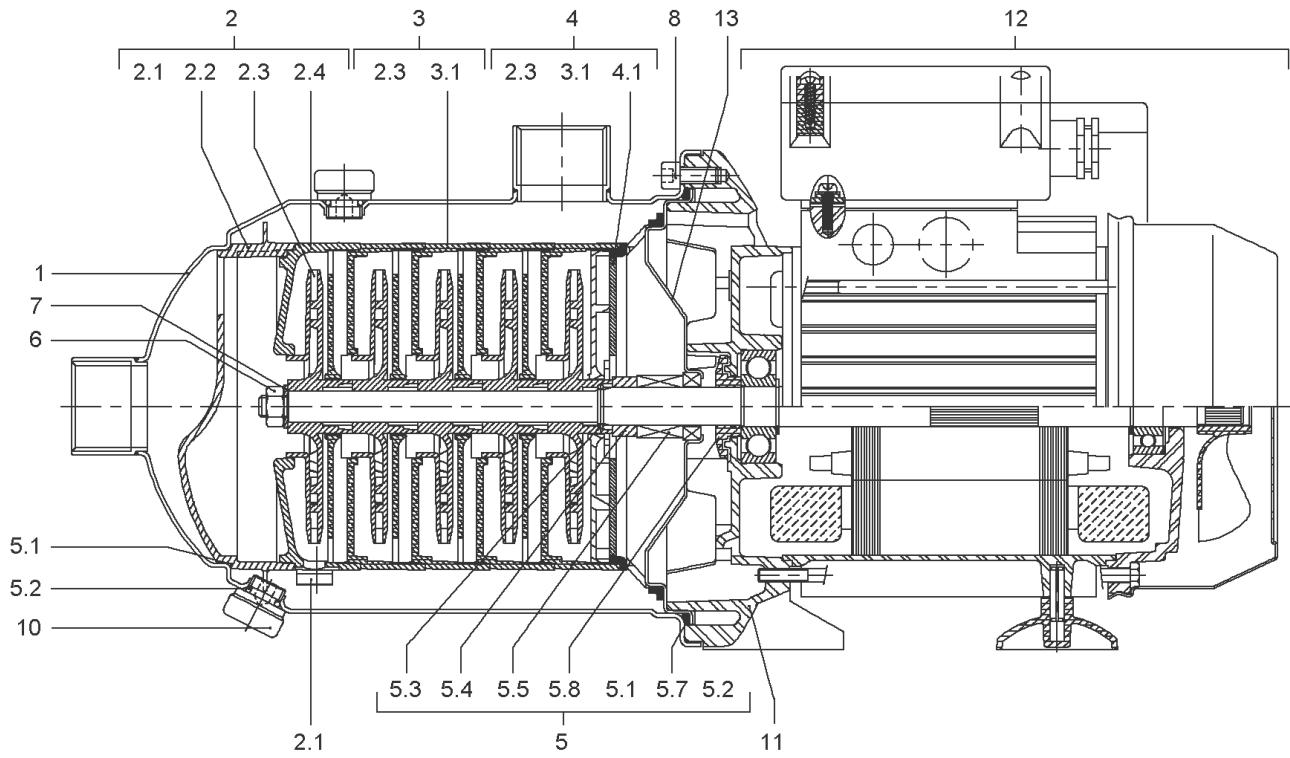
SPARE PARTS MOTOR MC604-EM/ -C (MG71)

Item	Article no.	Description	Quantity
12.1	4028055	END SHILD AS MP3/MP603+604 +PK.	1
7.6	4185162	BALL-BEARING-6302-C3-DDU-E-EA6 VP.	1
12.3	2048812	FAN D.110 MG.71 MC KIT	1
12.31		> REAR-BEARING-MOT71-D110-LOCKING	1
12.32	4233938	> Motor fan T63-71 D100 VP.	1
12.33	4202863	> FAN-COVER-MOTOR71-D110-LOCKING VP.	1
12.4	122097891	BALL BEARING 6202/2Z-C3 (HT) VP.	1
12.5	4215742	Crinkled washer 6202/6300-C3 VP.	1
12.6	4090073	TERMINAL BOX KIT MC-EM (71)	1
12.61	4007672	> TERMINAL-BOX-COVER-MOT-MONO-71	1
12.62	4209688	> Flat-Gasket-BAB-MOT71 VP.	1
	2132533	> CAPACITOR 16MF 470V CA.LG.210 V1EC2 VP.	1
		> SCREW-CBL-Z-C/AT-ST3,5L13ZINGUE	1
		> SCREW F.KKD.(MHI2/4/8)	1
		> NUT-HM4-BRASS	1
	4207951	CIRCLIP D15X1 VP.	1



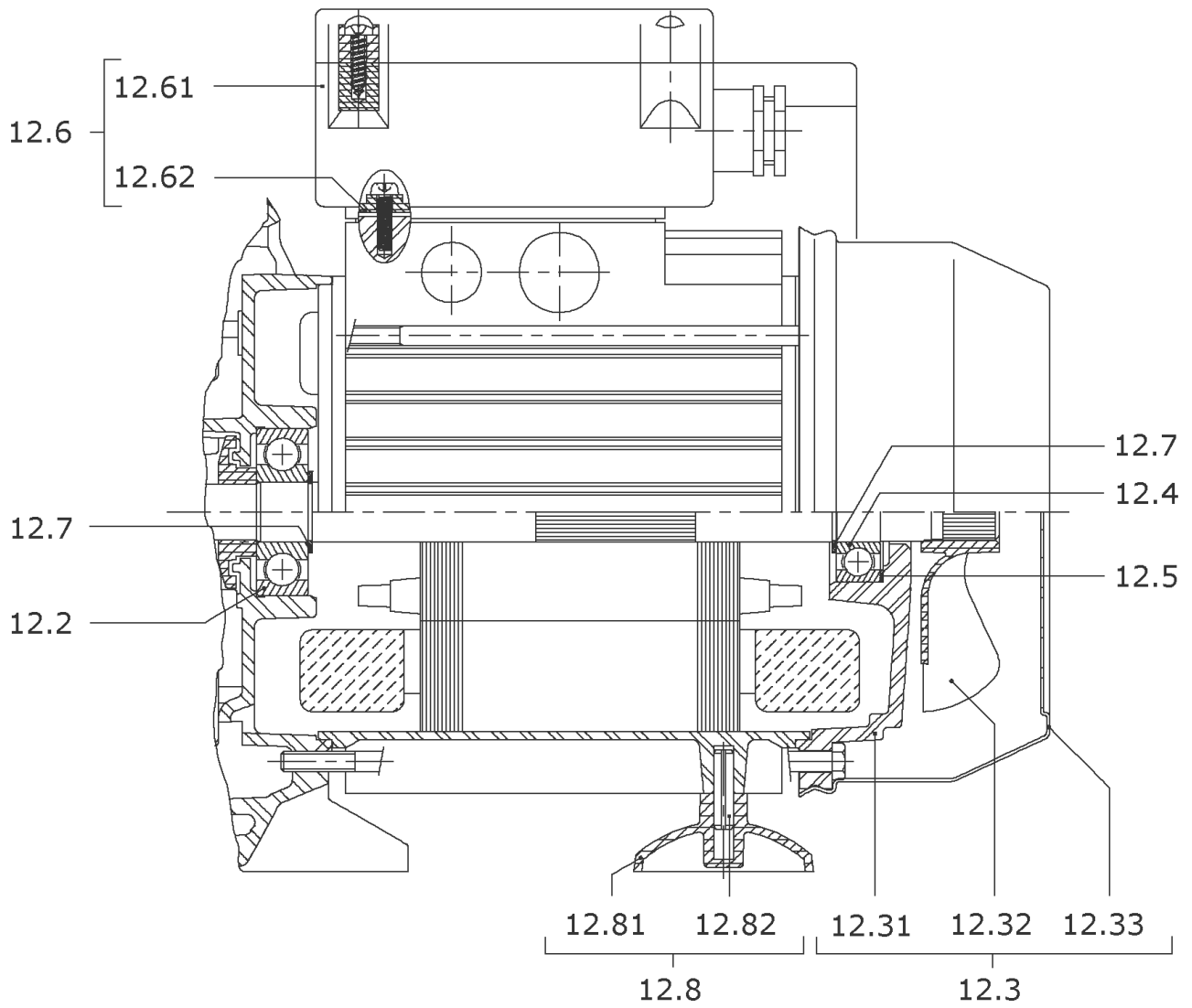
SPARE PARTS MOTOR MC604-EM/ D (MG71)

Item	Article no.	Description	Quantity
12.1	4028055	END SHILD AS MP3/MP603+604 +PK.	1
7.6	4185162	BALL-BEARING-6302-C3-DDU-E-EA6 VP.	1
12.3	2096197	FAN D.128 MG.71 MC/MHIL KIT	1
12.32	4210072	> Motor-fan-71-MHI Ø128 VP.	1
12.33	4202863	> FAN-COVER-MOTOR71-D110-LOCKING VP.	1
12.31		> REAR-BEARING-MOT71-D110-GROOVE	1
12.31		> O-RING D35X3 EPDM	1
12.4	122097891	BALL BEARING 6202/2Z-C3 (HT) VP.	1
12.5	4215742	Crinkled washer 6202/6300-C3 VP.	1
12.6	4090073	TERMINAL BOX KIT MC-EM (71)	1
12.61	4007672	> TERMINAL-BOX-COVER-MOT-MONO-71	1
12.62	4209688	> Flat-Gasket-BAB-MOT71 VP.	1
	2132533	> CAPACITOR 16MF 470V CA.LG.210 V1EC2 VP.	1
		> SCREW-CBL-Z-C/AT-ST3,5L13ZINGUE	1
		> SCREW F.KKD.(MHI2/4/8)	1
		> NUT-HM4-BRASS	1
	4207951	CIRCLIP D15X1 VP.	1



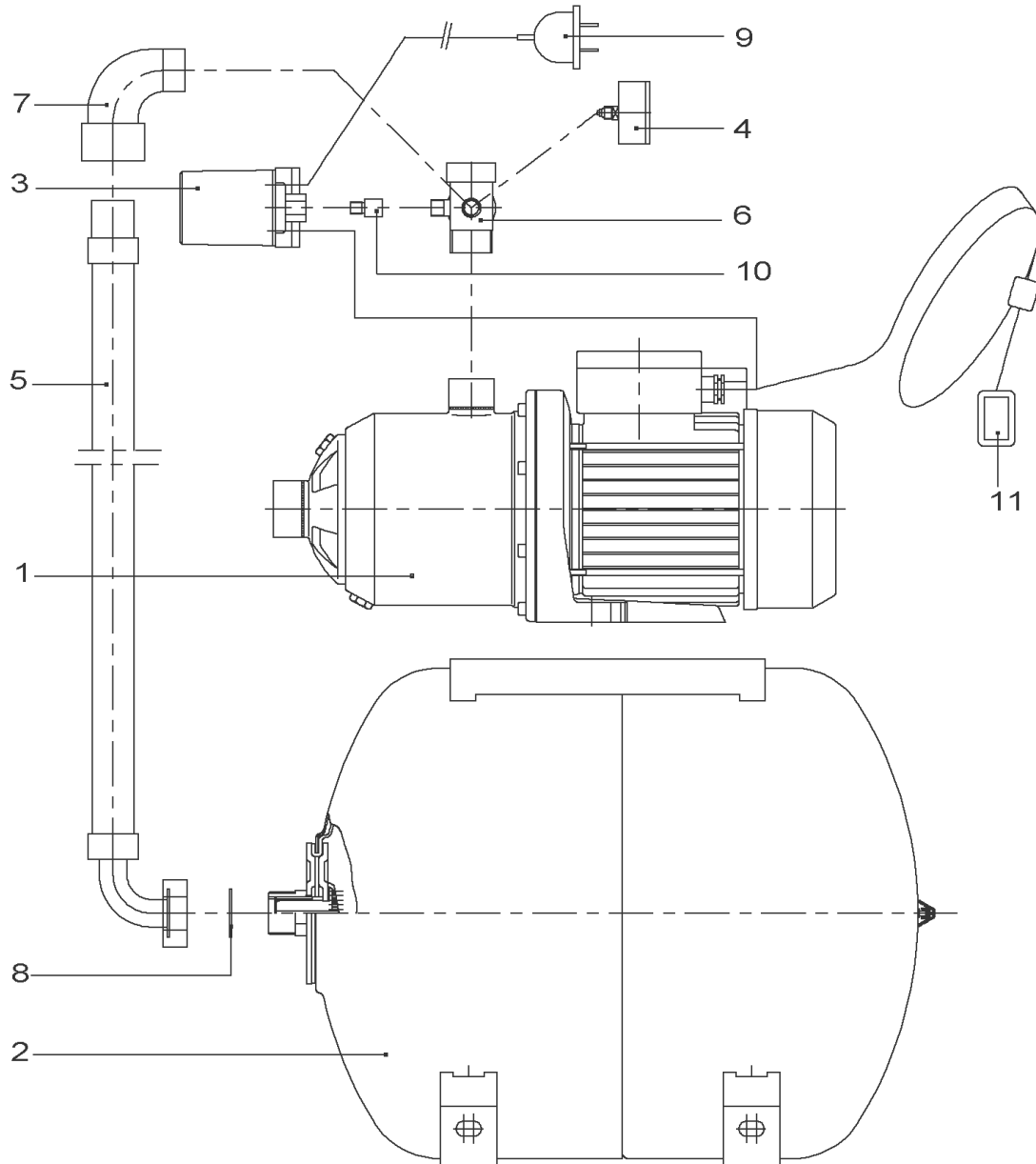
MC604-EM FROM VERSION: /E

Item	Article no.	Description	Quantity
1	4233946	PUMPHOUSING MC 4 STAGE VP.	1
2	4054544	MC604-605 PUMP 1st STAGE KIT New range	1
Note: STAGE/ STUFE/ ETAGE: 1			
2.1	2123700	> FLAP METAL MC VP.	1
2.2		> SUCTION CASING VALVE EPDM AND STAIN.STEE	1
2.3		> IMPELLER-4M3-SP-LOW-FLOW	1
2.4		> STAGE HOUSING SUPPORT VALVE	1
3	4049864	MC604-605 PUMP OTHERS STAGES KIT	1
Note: STAGE/ STUFE/ ETAGE: 2/3			
2.3		> IMPELLER-4M3-SP	1
3.1		> STAGE CASING WITH RETURN GUIDE VANE-SP	1
4	4144682	LAST STAGE KIT MC604-605 ALU LANTERN	1
Note: STAGE/ STUFE/ ETAGE: 4			
2.3		> IMPELLER-4M3-SP-LOW-FLOW	1
3.1		> STAGE CASING WITH RETURN GUIDE VANE-SP	1
4.1		> DIFFUSOR STG WITH RETU CHANNEL-SP/MC	1
5	4049859	MULTICARGO PUMP MECHANICAL SEAL KIT	1
5.1	4036284	> GASKET-115X1-NITRILE	1
5.2	4017965	> O-RING D9,9X2,62 NITRILE 70SH	1
5.3	2090148	> CIRCLIP D14 MVI/MHI 316L (2 PIECES) VP.	1
		>> STOP-RUSH-1/2-D14-VMI/HMI-316	2
5.4		> DEFLECTOR D14xD22EP9 NORYL	1
5.5		> MECH.SEAL MG9/14 G60 BVPFF GM.BURGMANN	1
5.6		> THROWER 65/70SH-NITRILE	1
5.7	4233945	> O-RING ID.140 VP.	1
5.8		> THROWER-RUBBER-SH65/70	1
6	4056417	NUT M8 INOX 1.4404	1
8	4007350	SCREW M6X14 ISO4762 8.8 ZN	1
Note: PARTS/ STÜCK/ PIÈCES: 8			
10	2188170	Drain plug/o-ring G1/4" KIT	1
11	4025172	LANTERN MACHINED P171 M125	1
12		SPARE PARTS MOTOR MC604-EM/E (MG71)	1
13	4004679	Stationnary Ring Holder 1.4301	1



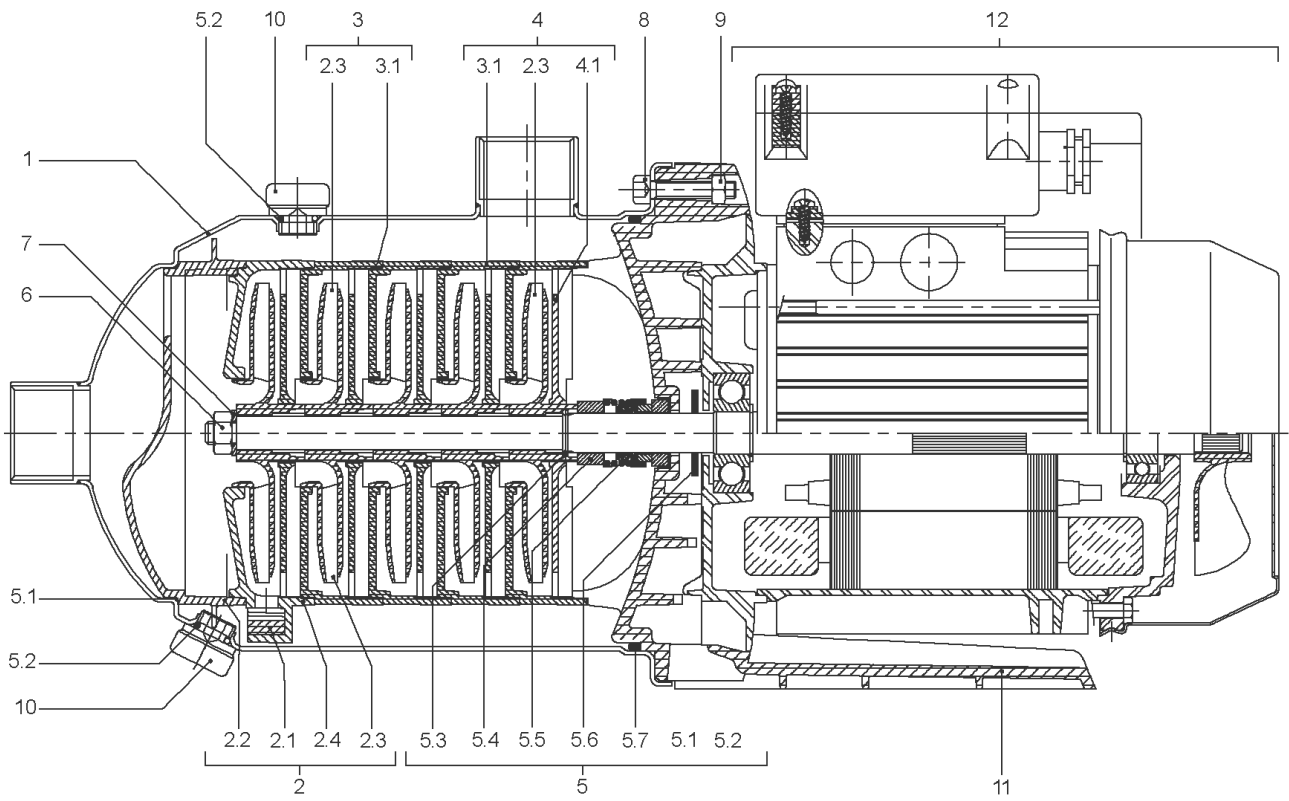
SPARE PARTS MOTOR MC604-EM/E (MG71)

Item	Article no.	Description	Quantity
7.6	4185162	BALL-BEARING-6302-C3-DDU-E-EA6 VP.	1
12.3	2049138	FAN D.130 MG.71 MP KIT	1
12.32	4210072	> Motor-fan-71-MHI Ø128 VP.	1
12.33		> FAN-COVER-MOTOR71-D110-LOCKING	1
12.31		> REAR-BEARING-MOT71-D110-GROOVE	1
12.4	122097891	BALL BEARING 6202/2Z-C3 (HT) VP.	1
12.5	4215742	Crinkled washer 6202/6300-C3 VP.	1
12.6	4090073	TERMINAL BOX KIT MC-EM (71)	1
12.61	4007672	> TERMINAL-BOX-COVER-MOT-MONO-71	1
12.62	4209688	> Flat-Gasket-BAB-MOT71 VP.	1
	2132533	> CAPACITOR 16MF 470V CA.LG.210 V1EC2 VP.	1
		> SCREW-CBL-Z-C/AT-ST3,5L13ZINGUE	1
		> SCREW F.KKD.(MHI2/4/8)	1
		> NUT-HM4-BRASS	1
12.7	4207951	CIRCLIP D15X1 VP.	1
12.8	2106111	MOTOR FOOT MG.71 KIT	1
12.81		> MOTOR-SUPPORT-71	1
12.82		> SPRING-PIN-A5L20E	1



HMC604 EM -TR (2512322)

Item	Article no.	Description	Quantity
1		MC604-EM	1
		> MC604-EM TO VERSION: /D	1
		> MC604-EM FROM VERSION: /E	1
1	4230656	MC604-EM VP.	1
2	2027578	DIAPHRAGM VESSEL 50L PN10 HWW VP.	1
	2124000	DIAPHRAGM 50L HW ACS VP.	1
Note: for pressure vessel/für Membranbehälter/pour reservoir: 2527268			
	2132491	DIAPHRAGM 50L-HWW VP.	1
Note: for pressure vessel/für Membranbehälter/pour reservoir: 2537381			
3	2106339	PRESSURE SWITCH PM5XH05 ACS 2.2/3.5+CA.V	1
4	2027581	PRESSURE GAUGE 0-6BAR D50 G1/4"HIND INL	1
5	2027583	FLEX.HOSE R1"M(W90°)-1"F550PN10 ACS.VP.	1
6	2068034	DISTRIBUTOR BRASS R1" TYPE RCLL 91 MM	1
7	2027585	ANGLE FITTING BRASS R1" TYPE RCM/F	1
8	2042873	FLAT GASKET 21x30x2 C4400 VP.	1
9	2027591	CONNECTION CABLE HMP/ HMHI/-1~230 CPL.	1
10	2042988	THREADED EXTENSION PIECE G1/4" BRASS	1
11	2042896	CONNECTION SET HMP/C6 /HMHI4 TR	1

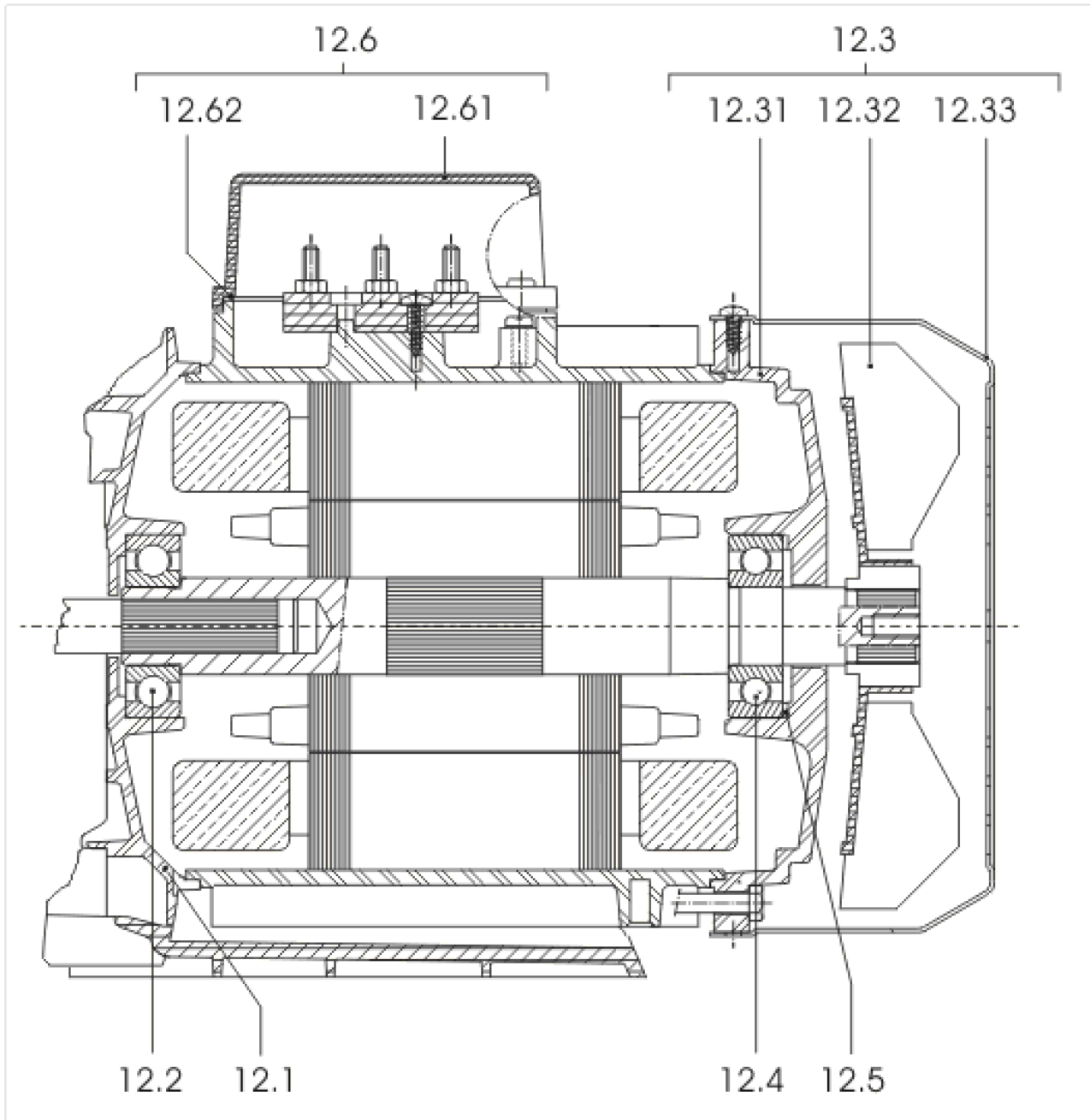


MC604-EM TO VERSION: /D

Item	Article no.	Description	Quantity
1	4233946	PUMPHOUSING MC 4 STAGE VP.	1
2	4054544	MC604-605 PUMP 1st STAGE KIT New range	1
Note: STAGE/ STUFE/ ETAGE: 1			
2.1	2123700	> FLAP METAL MC VP.	1
2.2		> SUCTION CASING VALVE EPDM AND STAIN.STEE	1
2.3		> IMPELLER-4M3-SP-LOW-FLOW	1
2.4		> STAGE HOUSING SUPPORT VALVE	1
3	4049864	MC604-605 PUMP OTHERS STAGES KIT	1
Note: STAGE/ STUFE/ ETAGE: 2/3			
2.3		> IMPELLER-4M3-SP	1
3.1		> STAGE CASING WITH RETURN GUIDE VANE-SP	1
4	4049865	LAST STAGE KIT MC604-605 PUMP	1
Note: STAGE/ STUFE/ ETAGE: 4			
2.3		> IMPELLER-4M3-SP-LOW-FLOW	1
3.1		> STAGE CASING WITH RETURN GUIDE VANE-SP	1
4.1		> CANAL-RET-ULTEM2300	1
5	4049859	MULTICARGO PUMP MECHANICAL SEAL KIT	1
5.1	4036284	> GASKET-115X1-NITRILE	1
5.2	4017965	> O-RING D9,9X2,62 NITRILE 70SH	1
5.3	2090148	> CIRCLIP D14 MVI/MHI 316L (2 PIECES) VP.	1
		>> STOP-RUSH-1/2-D14-VMI/HMI-316	2
5.4		> DEFLECTOR D14xD22EP9 NORYL	1
5.5		> MECH.SEAL MG9/14 G60 BVPFF GM.BURGMANN	1
5.6		> THROWER 65/70SH-NITRILE	1
5.7	4233945	> O-RING ID.140 VP.	1
5.8		> THROWER-RUBBER-SH65/70	1
6	4056417	NUT M8 INOX 1.4404	1
7	74960033407	DISC MP3/6+MC3/6	1
8	4031762	SCREW M6X30 ISO4762 8.8 ZN	1
Note: PARTS/ STÜCK/ PIÈCES: 8			
9	4031766	NUT M6 MP3/6	1
Note: PARTS/ STÜCK/ PIÈCES: 8			
10	2188170	Drain plug/o-ring G1/4" KIT	1
11	4045110	LANTERN BRACKET	1

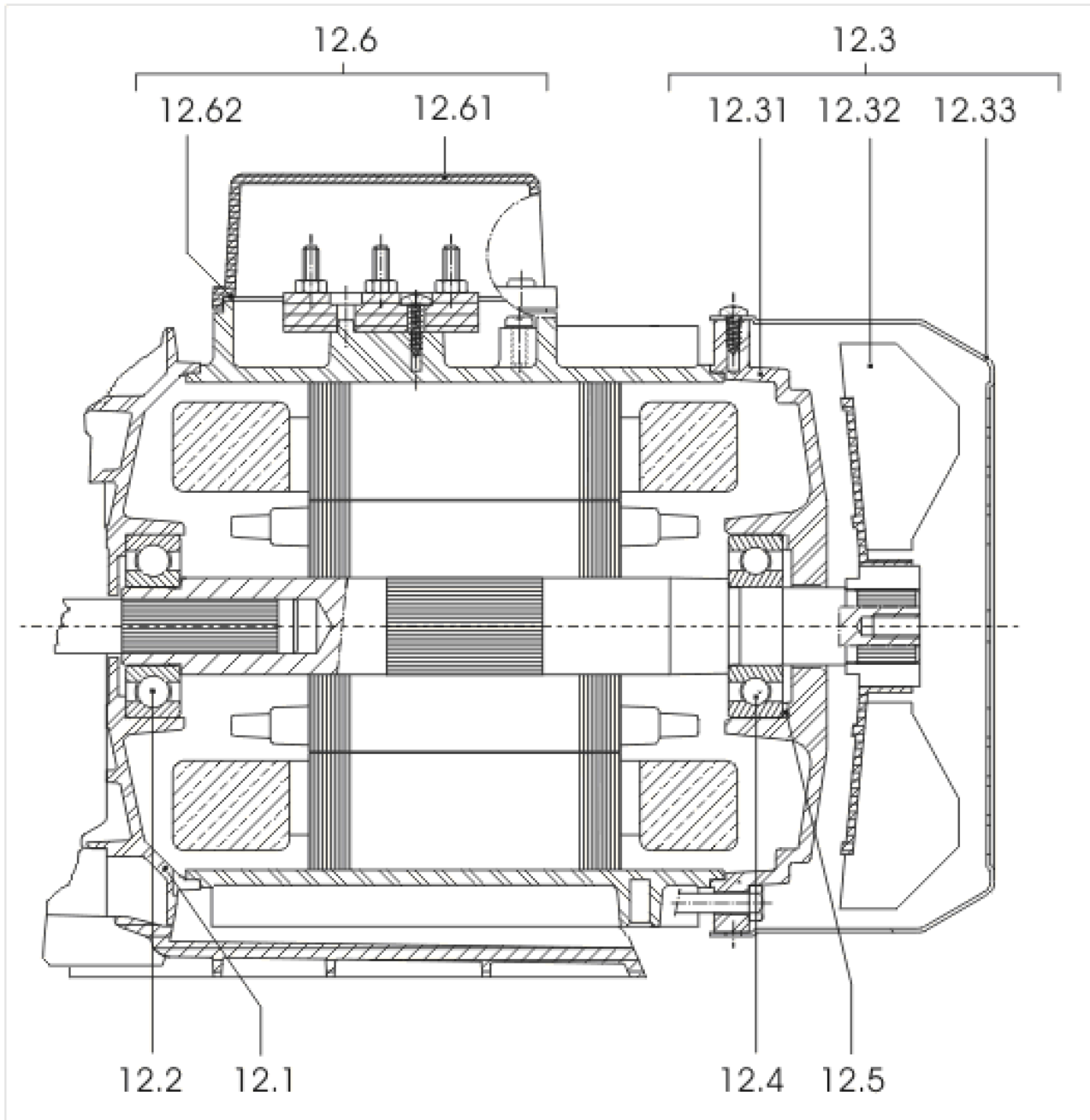
MC604-EM TO VERSION: /D

Item	Article no.	Description	Quantity
12		SPARE PARTS MOTOR MC604-EM/ -C (MG71)	1
12		SPARE PARTS MOTOR MC604-EM/ D (MG71)	1



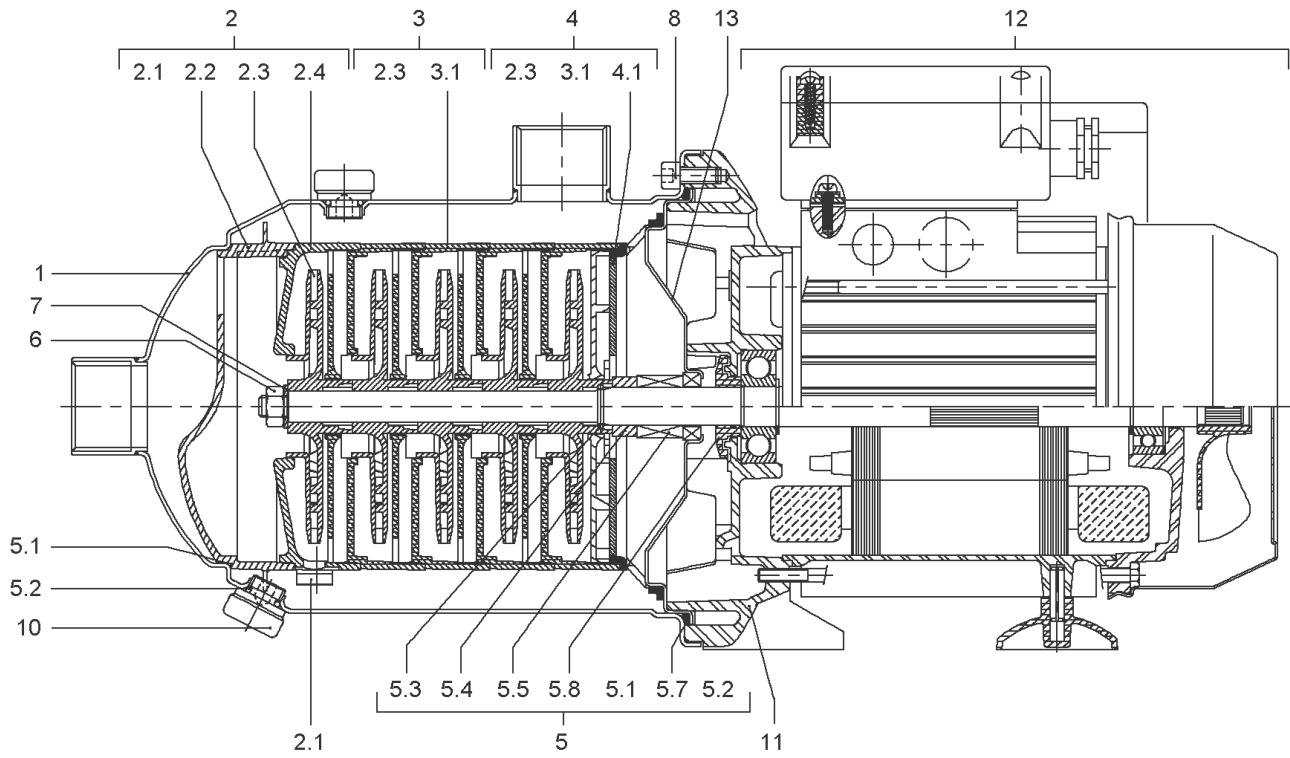
SPARE PARTS MOTOR MC604-EM/ -C (MG71)

Item	Article no.	Description	Quantity
12.1	4028055	END SHILD AS MP3/MP603+604 +PK.	1
7.6	4185162	BALL-BEARING-6302-C3-DDU-E-EA6 VP.	1
12.3	2048812	FAN D.110 MG.71 MC KIT	1
12.31		> REAR-BEARING-MOT71-D110-LOCKING	1
12.32	4233938	> Motor fan T63-71 D100 VP.	1
12.33	4202863	> FAN-COVER-MOTOR71-D110-LOCKING VP.	1
12.4	122097891	BALL BEARING 6202/2Z-C3 (HT) VP.	1
12.5	4215742	Crinkled washer 6202/6300-C3 VP.	1
12.6	4090073	TERMINAL BOX KIT MC-EM (71)	1
12.61	4007672	> TERMINAL-BOX-COVER-MOT-MONO-71	1
12.62	4209688	> Flat-Gasket-BAB-MOT71 VP.	1
	2132533	> CAPACITOR 16MF 470V CA.LG.210 V1EC2 VP.	1
		> SCREW-CBL-Z-C/AT-ST3,5L13ZINGUE	1
		> SCREW F.KKD.(MHI2/4/8)	1
		> NUT-HM4-BRASS	1
	4207951	CIRCLIP D15X1 VP.	1



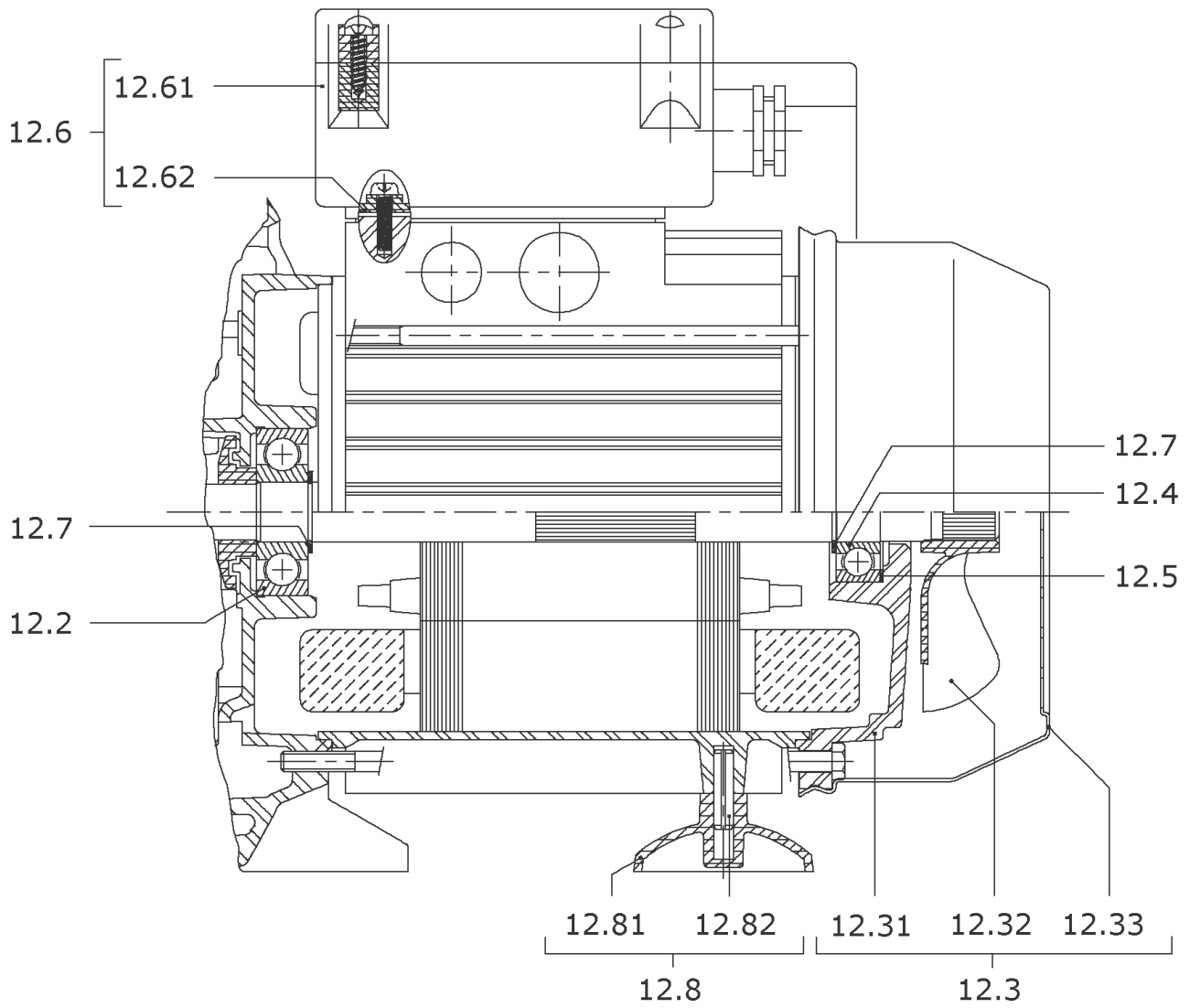
SPARE PARTS MOTOR MC604-EM/ D (MG71)

Item	Article no.	Description	Quantity
12.1	4028055	END SHILD AS MP3/MP603+604 +PK.	1
7.6	4185162	BALL-BEARING-6302-C3-DDU-E-EA6 VP.	1
12.3	2096197	FAN D.128 MG.71 MC/MHIL KIT	1
12.32	4210072	> Motor-fan-71-MHI Ø128 VP.	1
12.33	4202863	> FAN-COVER-MOTOR71-D110-LOCKING VP.	1
12.31		> REAR-BEARING-MOT71-D110-GROOVE	1
12.31		> O-RING D35X3 EPDM	1
12.4	122097891	BALL BEARING 6202/2Z-C3 (HT) VP.	1
12.5	4215742	Crinkled washer 6202/6300-C3 VP.	1
12.6	4090073	TERMINAL BOX KIT MC-EM (71)	1
12.61	4007672	> TERMINAL-BOX-COVER-MOT-MONO-71	1
12.62	4209688	> Flat-Gasket-BAB-MOT71 VP.	1
	2132533	> CAPACITOR 16MF 470V CA.LG.210 V1EC2 VP.	1
		> SCREW-CBL-Z-C/AT-ST3,5L13ZINGUE	1
		> SCREW F.KKD.(MHI2/4/8)	1
		> NUT-HM4-BRASS	1
	4207951	CIRCLIP D15X1 VP.	1



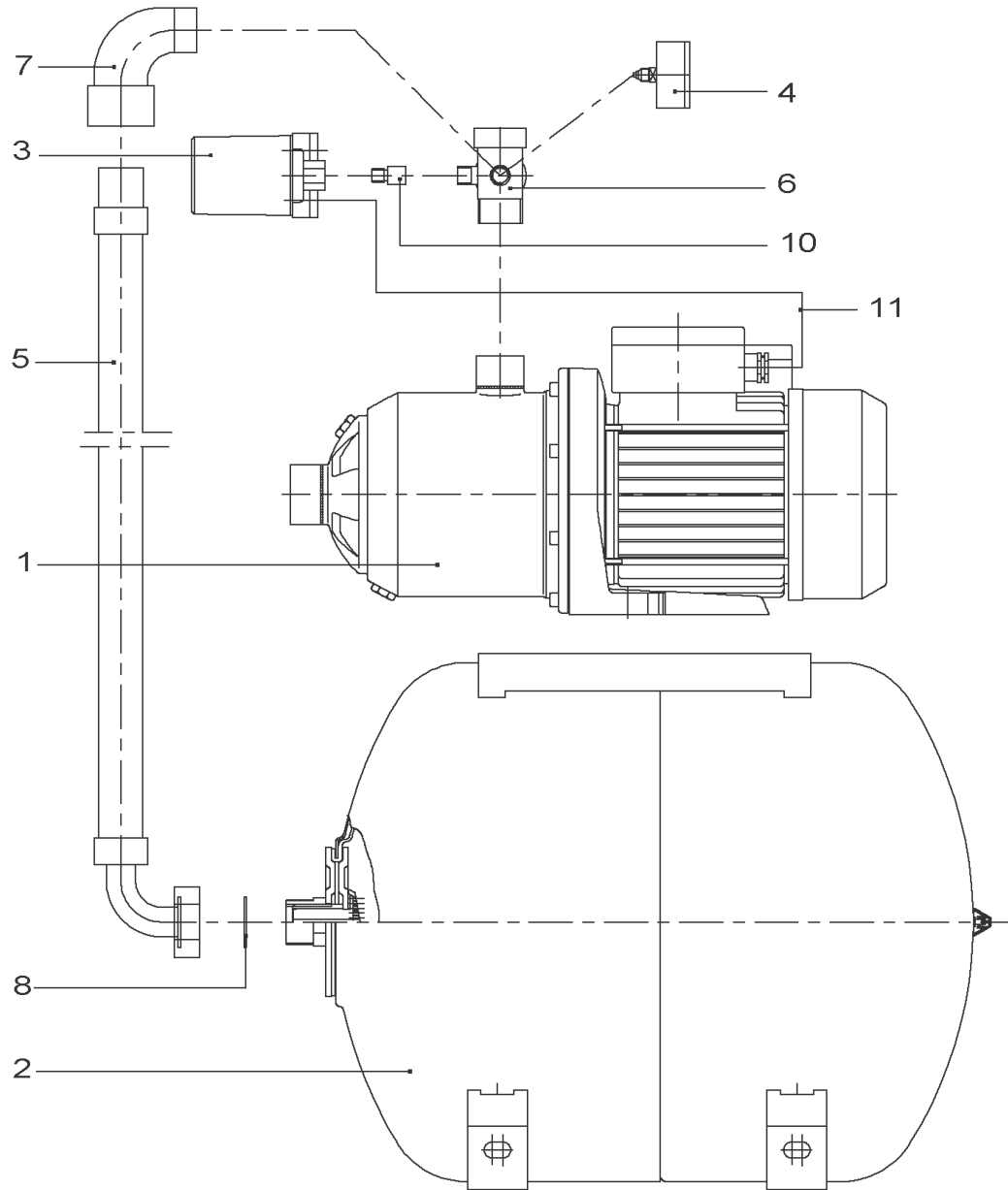
MC604-EM FROM VERSION: /E

Item	Article no.	Description	Quantity
1	4233946	PUMPHOUSING MC 4 STAGE VP.	1
2	4054544	MC604-605 PUMP 1st STAGE KIT New range	1
Note: STAGE/ STUFE/ ETAGE: 1			
2.1	2123700	> FLAP METAL MC VP.	1
2.2		> SUCTION CASING VALVE EPDM AND STAIN.STEE	1
2.3		> IMPELLER-4M3-SP-LOW-FLOW	1
2.4		> STAGE HOUSING SUPPORT VALVE	1
3	4049864	MC604-605 PUMP OTHERS STAGES KIT	1
Note: STAGE/ STUFE/ ETAGE: 2/3			
2.3		> IMPELLER-4M3-SP	1
3.1		> STAGE CASING WITH RETURN GUIDE VANE-SP	1
4	4144682	LAST STAGE KIT MC604-605 ALU LANTERN	1
Note: STAGE/ STUFE/ ETAGE: 4			
2.3		> IMPELLER-4M3-SP-LOW-FLOW	1
3.1		> STAGE CASING WITH RETURN GUIDE VANE-SP	1
4.1		> DIFFUSOR STG WITH RETU CHANNEL-SP/MC	1
5	4049859	MULTICARGO PUMP MECHANICAL SEAL KIT	1
5.1	4036284	> GASKET-115X1-NITRILE	1
5.2	4017965	> O-RING D9,9X2,62 NITRILE 70SH	1
5.3	2090148	> CIRCLIP D14 MVI/MHI 316L (2 PIECES) VP.	1
		>> STOP-RUSH-1/2-D14-VMI/HMI-316	2
5.4		> DEFLECTOR D14xD22EP9 NORYL	1
5.5		> MECH.SEAL MG9/14 G60 BVPFF GM.BURGMANN	1
5.6		> THROWER 65/70SH-NITRILE	1
5.7	4233945	> O-RING ID.140 VP.	1
5.8		> THROWER-RUBBER-SH65/70	1
6	4056417	NUT M8 INOX 1.4404	1
8	4007350	SCREW M6X14 ISO4762 8.8 ZN	1
Note: PARTS/ STÜCK/ PIÈCES: 8			
10	2188170	Drain plug/o-ring G1/4" KIT	1
11	4025172	LANTERN MACHINED P171 M125	1
12		SPARE PARTS MOTOR MC604-EM/E (MG71)	1
13	4004679	Stationnary Ring Holder 1.4301	1



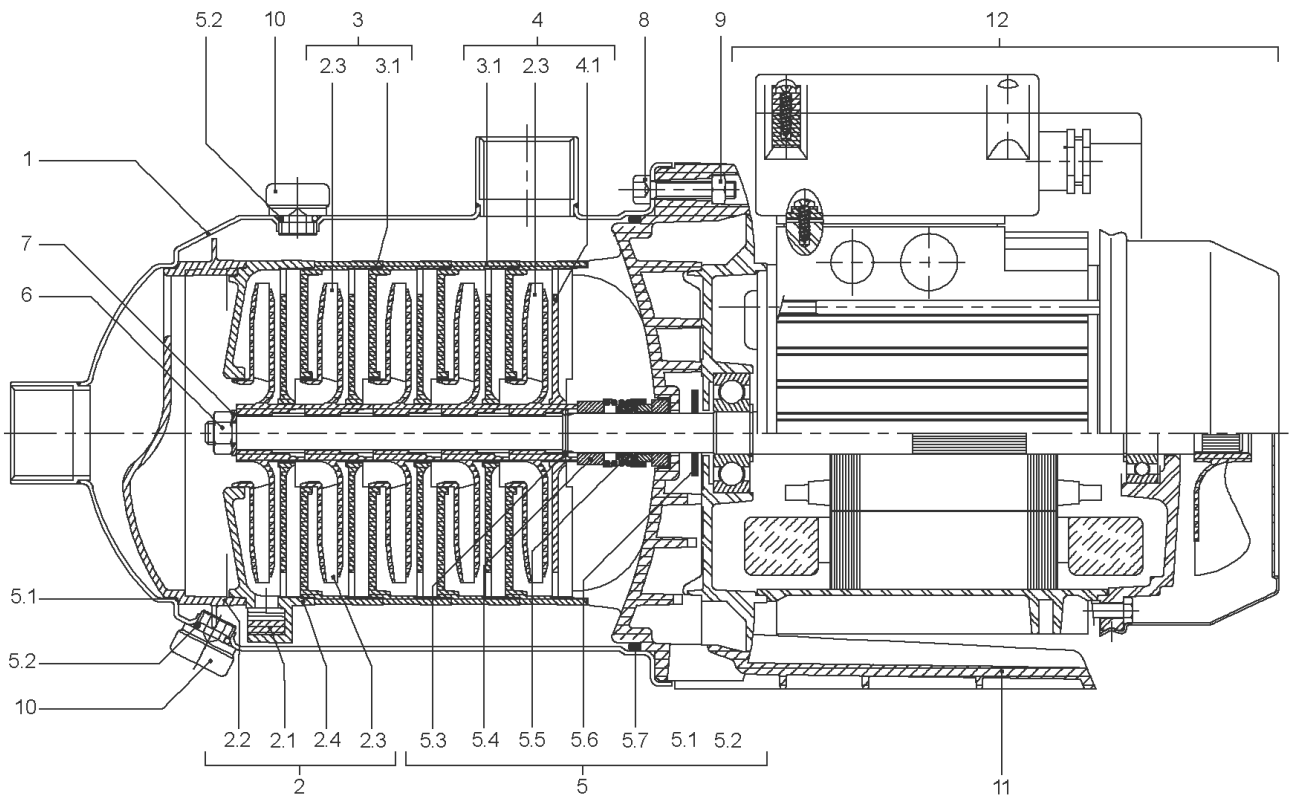
SPARE PARTS MOTOR MC604-EM/E (MG71)

Item	Article no.	Description	Quantity
7.6	4185162	BALL-BEARING-6302-C3-DDU-E-EA6 VP.	1
12.3	2049138	FAN D.130 MG.71 MP KIT	1
12.32	4210072	> Motor-fan-71-MHI Ø128 VP.	1
12.33		> FAN-COVER-MOTOR71-D110-LOCKING	1
12.31		> REAR-BEARING-MOT71-D110-GROOVE	1
12.4	122097891	BALL BEARING 6202/2Z-C3 (HT) VP.	1
12.5	4215742	Crinkled washer 6202/6300-C3 VP.	1
12.6	4090073	TERMINAL BOX KIT MC-EM (71)	1
12.61	4007672	> TERMINAL-BOX-COVER-MOT-MONO-71	1
12.62	4209688	> Flat-Gasket-BAB-MOT71 VP.	1
	2132533	> CAPACITOR 16MF 470V CA.LG.210 V1EC2 VP.	1
		> SCREW-CBL-Z-C/AT-ST3,5L13ZINGUE	1
		> SCREW F.KKD.(MHI2/4/8)	1
		> NUT-HM4-BRASS	1
12.7	4207951	CIRCLIP D15X1 VP.	1
12.8	2106111	MOTOR FOOT MG.71 KIT	1
12.81		> MOTOR-SUPPORT-71	1
12.82		> SPRING-PIN-A5L20E	1



HMC605 DM (2511911)

Item	Article no.	Description	Quantity
1		MC605-DM	1
		> MC605-DM TO VERSION: /E	1
		> MC605-DM FROM VERSION: /F	1
2	2027578	DIAPHRAGM VESSEL 50L PN10 HWW VP.	1
	2124000	DIAPHRAGM 50L HW ACS VP.	1
Note: for pressure vessel/für Membranbehälter/pour reservoir: 2527268			
	2132491	DIAPHRAGM 50L-HWW VP.	1
Note: for pressure vessel/für Membranbehälter/pour reservoir: 2537381			
3	2027579	PRESSURE SWITCH PT5 1-5BAR R1/4"-I-GEW.	1
4	2027581	PRESSURE GAUGE 0-6BAR D50 G1/4"HIND INL	1
5	2027583	FLEX.HOSE R1"M(W90°)-1"F550PN10 ACS.VP.	1
6	2068034	DISTRIBUTOR BRASS R1" TYPE RCLL 91 MM	1
7	2027585	ANGLE FITTING BRASS R1" TYPE RCM/F	1
8	2042873	FLAT GASKET 21x30x2 C4400 VP.	1
10	2042988	THREADED EXTENSION PIECE G1/4" BRASS	1
11	2042874	CONNECTION CABLE HMC/HMP/HMH MOTOR 3~400	1

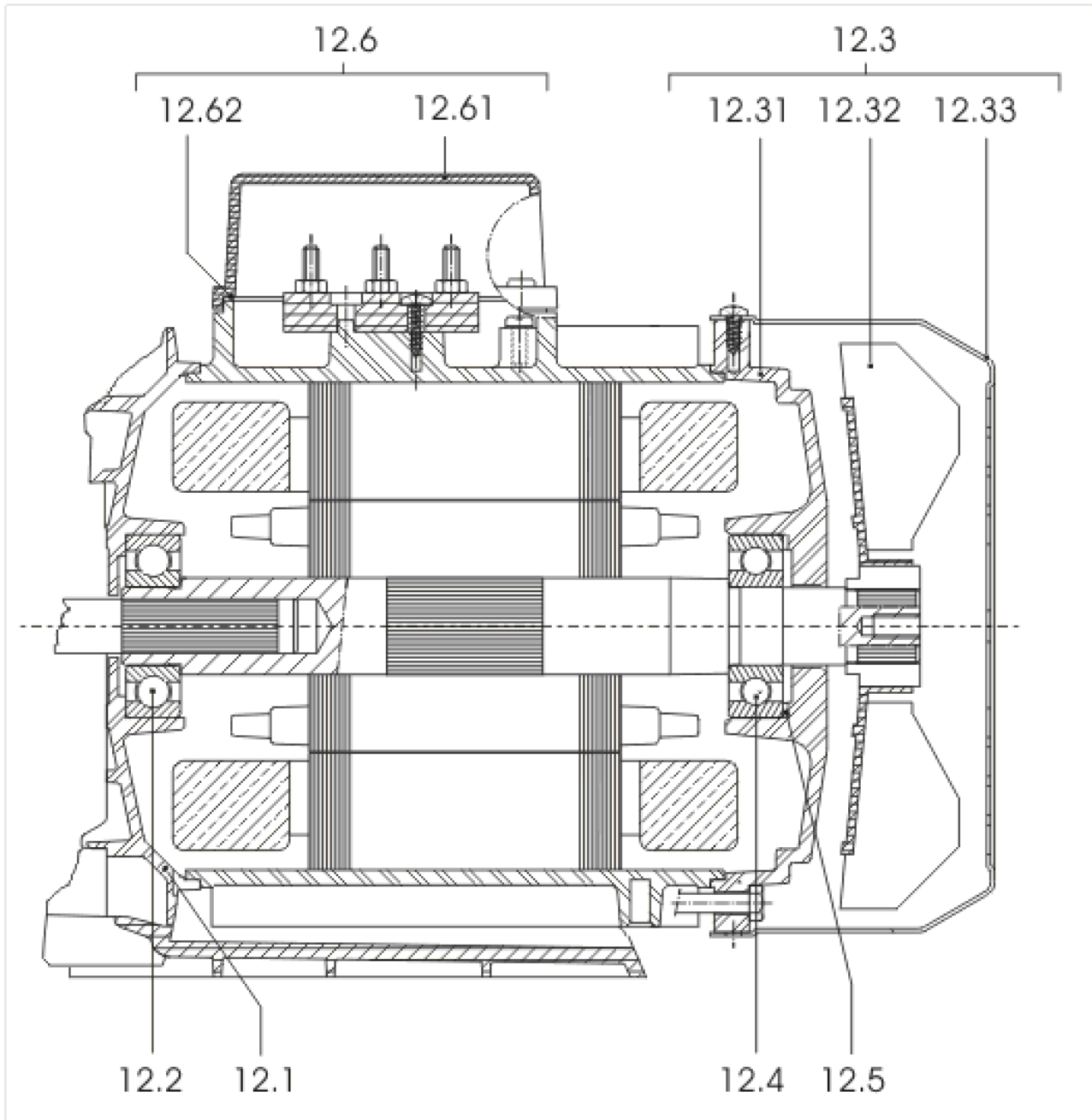


MC605-DM TO VERSION: /E

Item	Article no.	Description	Quantity
1	4076322	CORPS-FAB-SPRINGSON-5ETAGES-INOX304	1
2	4054544	MC604-605 PUMP 1st STAGE KIT New range	1
Note: STAGE/ STUFE/ ETAGE: 1			
2.1	2123700	> FLAP METAL MC VP.	1
2.2		> SUCTION CASING VALVE EPDM AND STAIN.STEE	1
2.3		> IMPELLER-4M3-SP-LOW-FLOW	1
2.4		> STAGE HOUSING SUPPORT VALVE	1
3	4049864	MC604-605 PUMP OTHERS STAGES KIT	1
Note: STAGE/ STUFE/ ETAGE: 2/3/4			
2.3		> IMPELLER-4M3-SP	1
3.1		> STAGE CASING WITH RETURN GUIDE VANE-SP	1
4	4049865	LAST STAGE KIT MC604-605 PUMP	1
Note: STAGE/ STUFE/ ETAGE: 5			
2.3		> IMPELLER-4M3-SP-LOW-FLOW	1
3.1		> STAGE CASING WITH RETURN GUIDE VANE-SP	1
4.1		> CANAL-RET-ULTEM2300	1
5	4049859	MULTICARGO PUMP MECHANICAL SEAL KIT	1
5.1	4036284	> GASKET-115X1-NITRILE	1
5.2	4017965	> O-RING D9,9X2,62 NITRILE 70SH	1
5.3	2090148	> CIRCLIP D14 MVI/MHI 316L (2 PIECES) VP.	1
		>> STOP-RUSH-1/2-D14-VMI/HMI-316	2
5.4		> DEFLECTOR D14xD22EP9 NORYL	1
5.5		> MECH.SEAL MG9/14 G60 BVPFF GM.BURGMANN	1
5.6		> THROWER 65/70SH-NITRILE	1
5.7	4233945	> O-RING ID.140 VP.	1
5.8		> THROWER-RUBBER-SH65/70	1
6	4056417	NUT M8 INOX 1.4404	1
7	74960033407	DISC MP3/6+MC3/6	1
8	4031762	SCREW M6X30 ISO4762 8.8 ZN	1
Note: PARTS/ STÜCK/ PIÈCES: 8			
9	4031766	NUT M6 MP3/6	1
Note: PARTS/ STÜCK/ PIÈCES: 8			
10	2188170	Drain plug/o-ring G1/4" KIT	1
11	4045110	LANTERN BRACKET	1

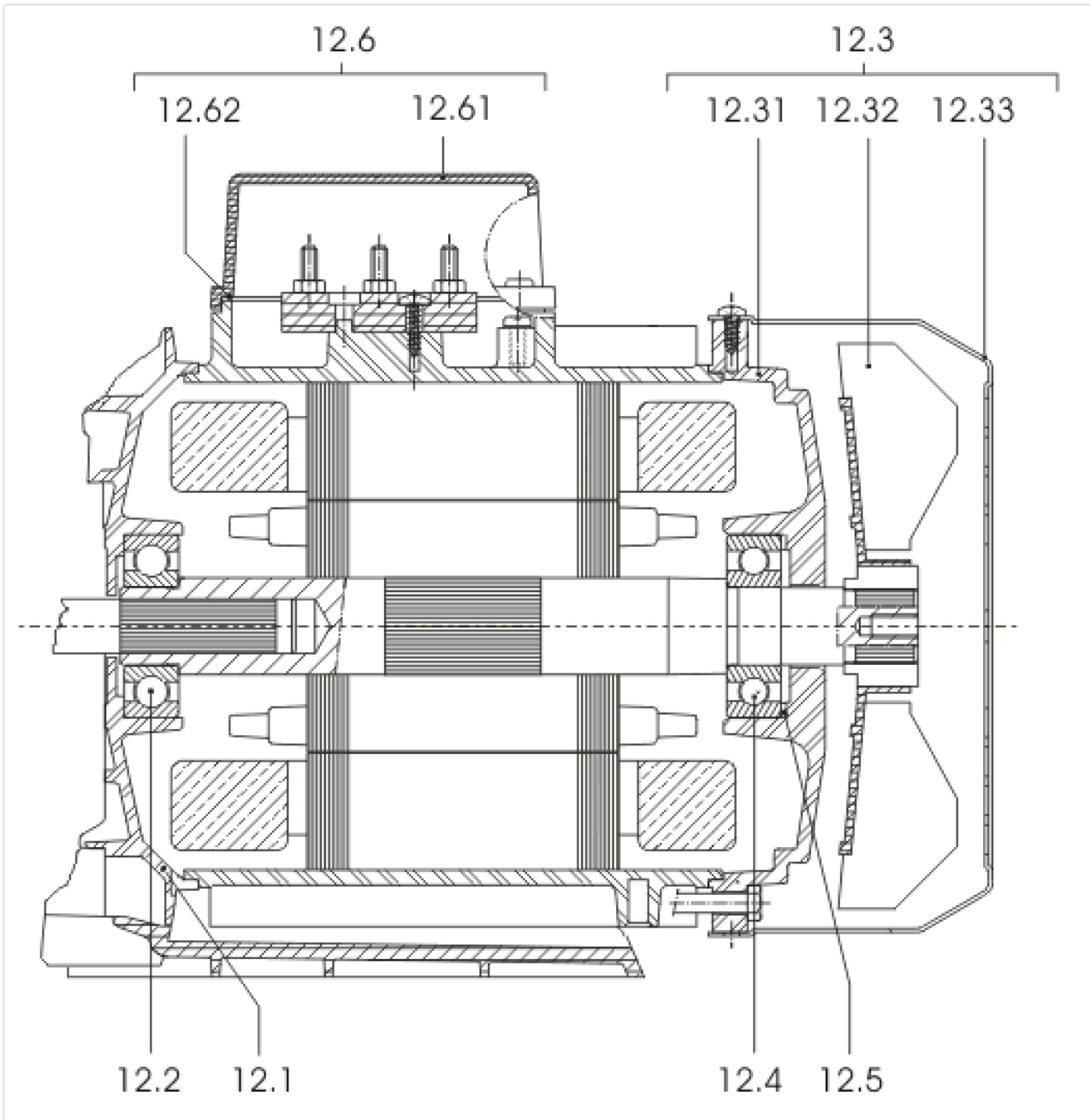
MC605-DM TO VERSION: /E

Item	Article no.	Description	Quantity
12		SPARE PARTS MOTOR MC605-DM/ -B (MG80)	1
12		SPARE PARTS MOTOR MC605-DM/ C (MG71)	1
12		SPARE PARTS MOTOR MC605-DM/ D-E (MG71)	1



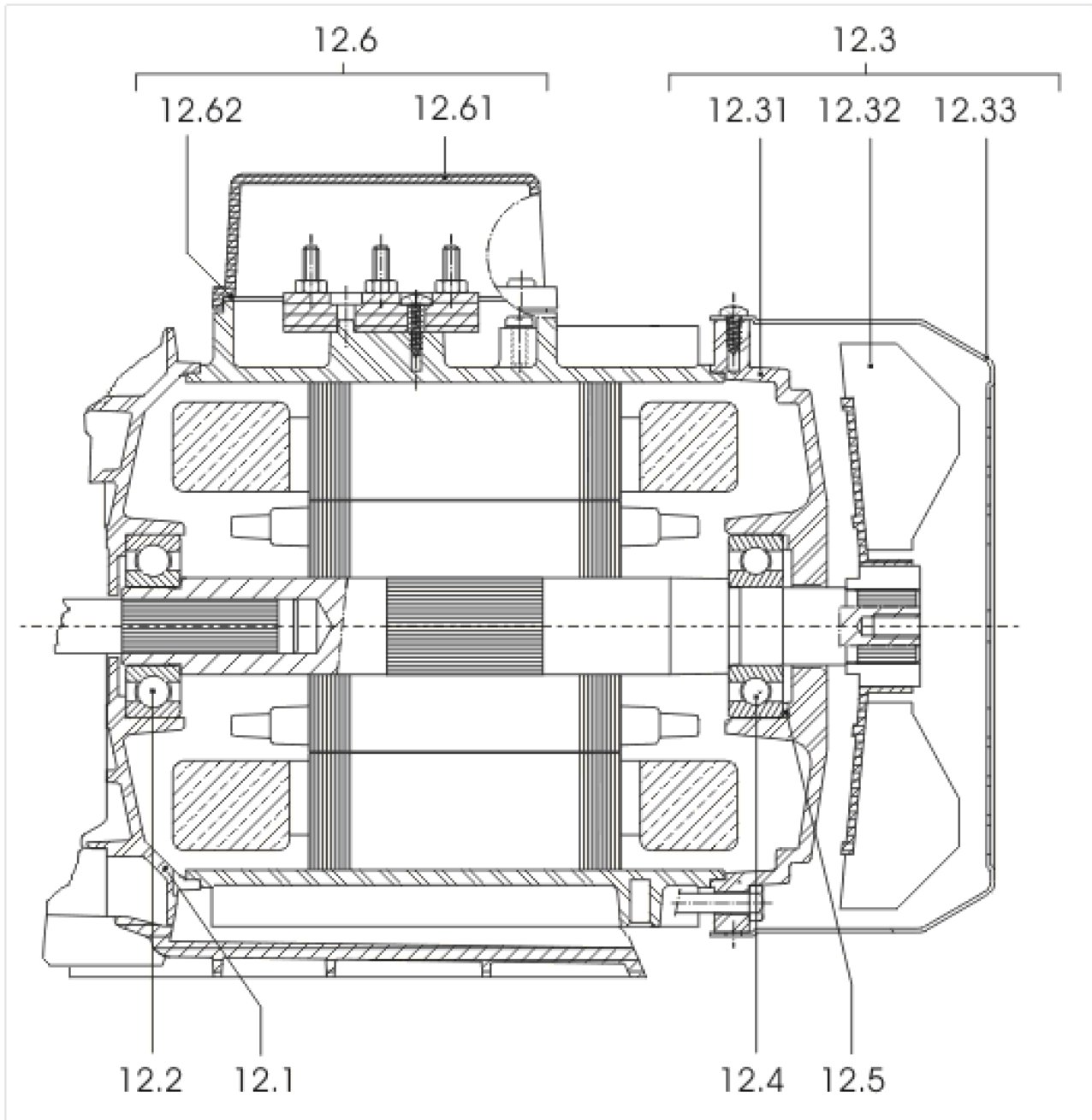
SPARE PARTS MOTOR MC605-DM/ -B (MG80)

Item	Article no.	Description	Quantity
12.1	4028057	MOTOR BEARING	1
12.2	121084499	BALL BEARING 6204/2Z-C3 (HT) VP.	1
12.3	2048819	FAN D.143 MG.80 MC/MHIL KIT	1
12.32	4007267	> MOTOR-FAN-80-MHI Ø143	1
12.33		> FAN-COVER-MOTOR80-D125-LOCKING	1
12.31		> REAR-BEARING-MOT80-D125-GROOVE	1
		> O-RING D47.2X3.53-EPDM	1
12.4	121084499	BALL BEARING 6204/2Z-C3 (HT) VP.	1
12.5	63852	SPRING-WASHER-A46B35-A	1
12.6	4090077	TERMINAL BOX KIT MC-DM (80)	1
12.61	4007676	> TERMINAL-BOX-COVER-MOT-TRI-80/90	1
12.62	4007671	> FLAT-GASKET-BAB-MOT80/90	1
	4057378	> TERMINAL BLOCK 50/32 6P	1
		> M3,5L14 THREAD FORMING SCREW	1



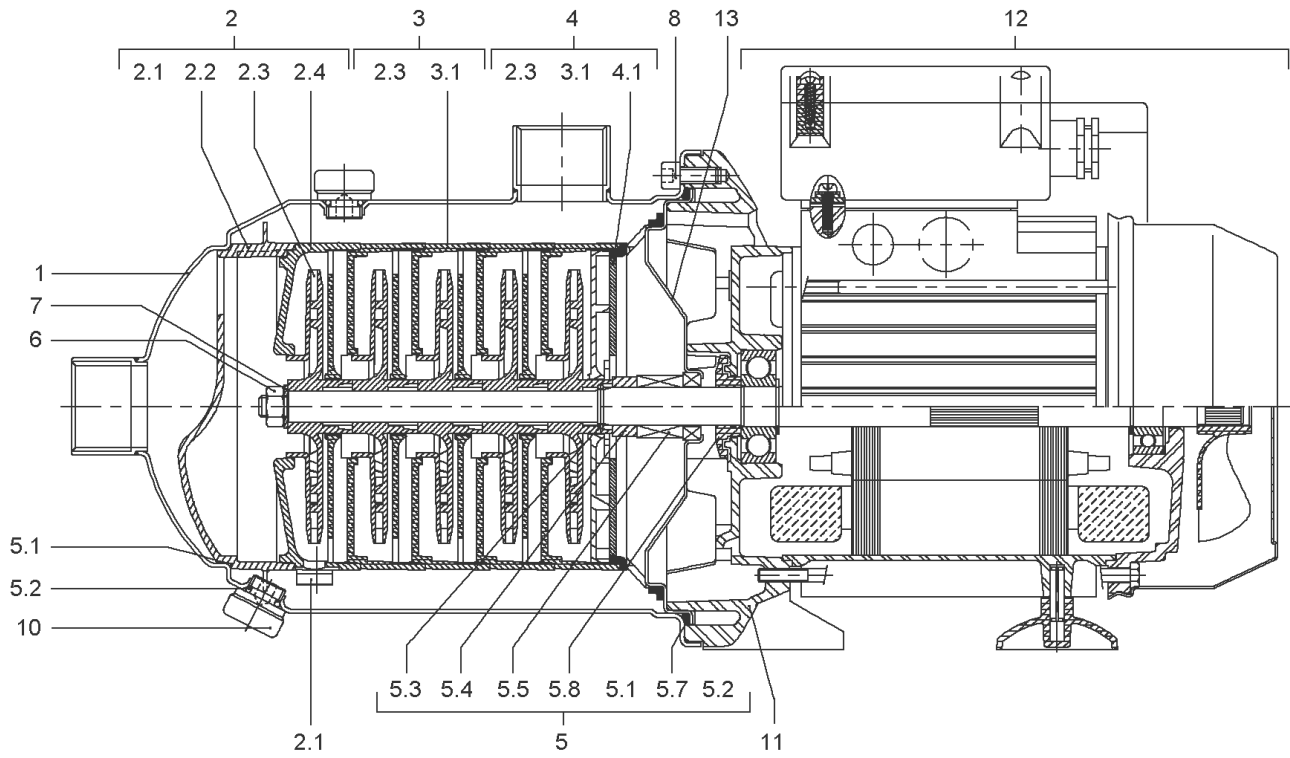
SPARE PARTS MOTOR MC605-DM/ C (MG71)

Item	Article no.	Description	Quantity
12.1	4028055	END SHILD AS MP3/MP603+604 +PK.	1
7.6	4185162	BALL-BEARING-6302-C3-DDU-E-EA6 VP.	1
12.3	2048812	FAN D.110 MG.71 MC KIT	1
12.31		> REAR-BEARING-MOT71-D110-LOCKING	1
12.32	4233938	> Motor fan T63-71 D100 VP.	1
12.33	4202863	> FAN-COVER-MOTOR71-D110-LOCKING VP.	1
12.4	122097891	BALL BEARING 6202/2Z-C3 (HT) VP.	1
12.5	63852	SPRING-WASHER-A46B35-A	1
12.6	4090076	TERMINAL BOX KIT MC-DM (71)	1
12.61	4210082	> Terminal-Box-Cover-MOT-TRI-71 VP.	1
12.62	4209688	> Flat-Gasket-BAB-MOT71 VP.	1
	4057378	> TERMINAL BLOCK 50/32 6P	1
		> M3,5L14 THREAD FORMING SCREW	1



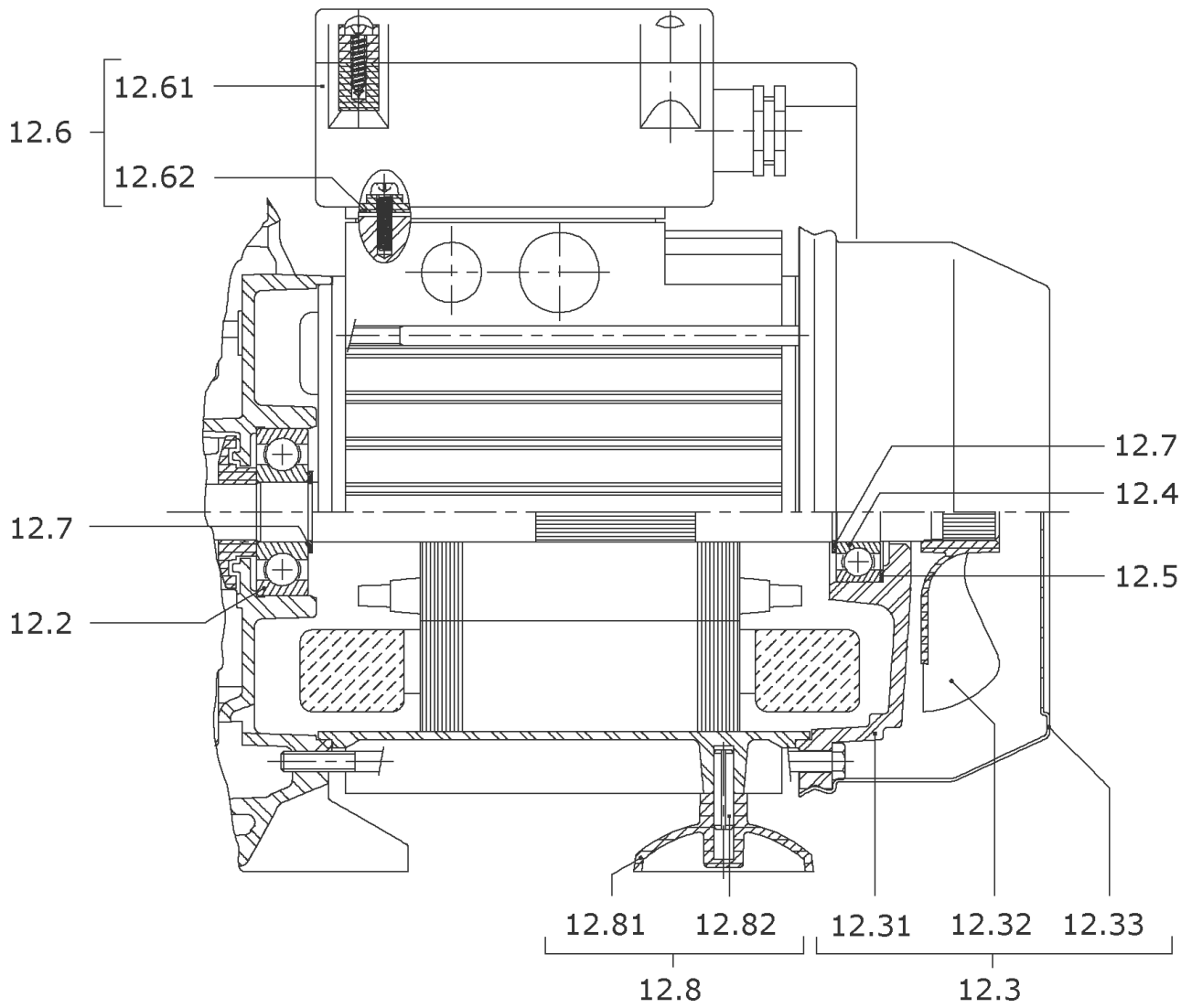
SPARE PARTS MOTOR MC605-DM/ D-E (MG71)

Item	Article no.	Description	Quantity
12.1	4028055	END SHILD AS MP3/MP603+604 +PK.	1
7.6	4185162	BALL-BEARING-6302-C3-DDU-E-EA6 VP.	1
12.3	2048812	FAN D.110 MG.71 MC KIT	1
12.31		> REAR-BEARING-MOT71-D110-LOCKING	1
12.32	4233938	> Motor fan T63-71 D100 VP.	1
12.33	4202863	> FAN-COVER-MOTOR71-D110-LOCKING VP.	1
12.3	2096197	FAN D.128 MG.71 MC/MHIL KIT	1
12.32	4210072	> Motor-fan-71-MHI Ø128 VP.	1
12.33	4202863	> FAN-COVER-MOTOR71-D110-LOCKING VP.	1
12.31		> REAR-BEARING-MOT71-D110-GROOVE	1
12.31		> O-RING D35X3 EPDM	1
12.4	122097891	BALL BEARING 6202/2Z-C3 (HT) VP.	1
12.5	63852	SPRING-WASHER-A46B35-A	1
12.6	4090076	TERMINAL BOX KIT MC-DM (71)	1
12.61	4210082	> Terminal-Box-Cover-MOT-TRI-71 VP.	1
12.62	4209688	> Flat-Gasket-BAB-MOT71 VP.	1
	4057378	> TERMINAL BLOCK 50/32 6P	1
		> M3,5L14 THREAD FORMING SCREW	1



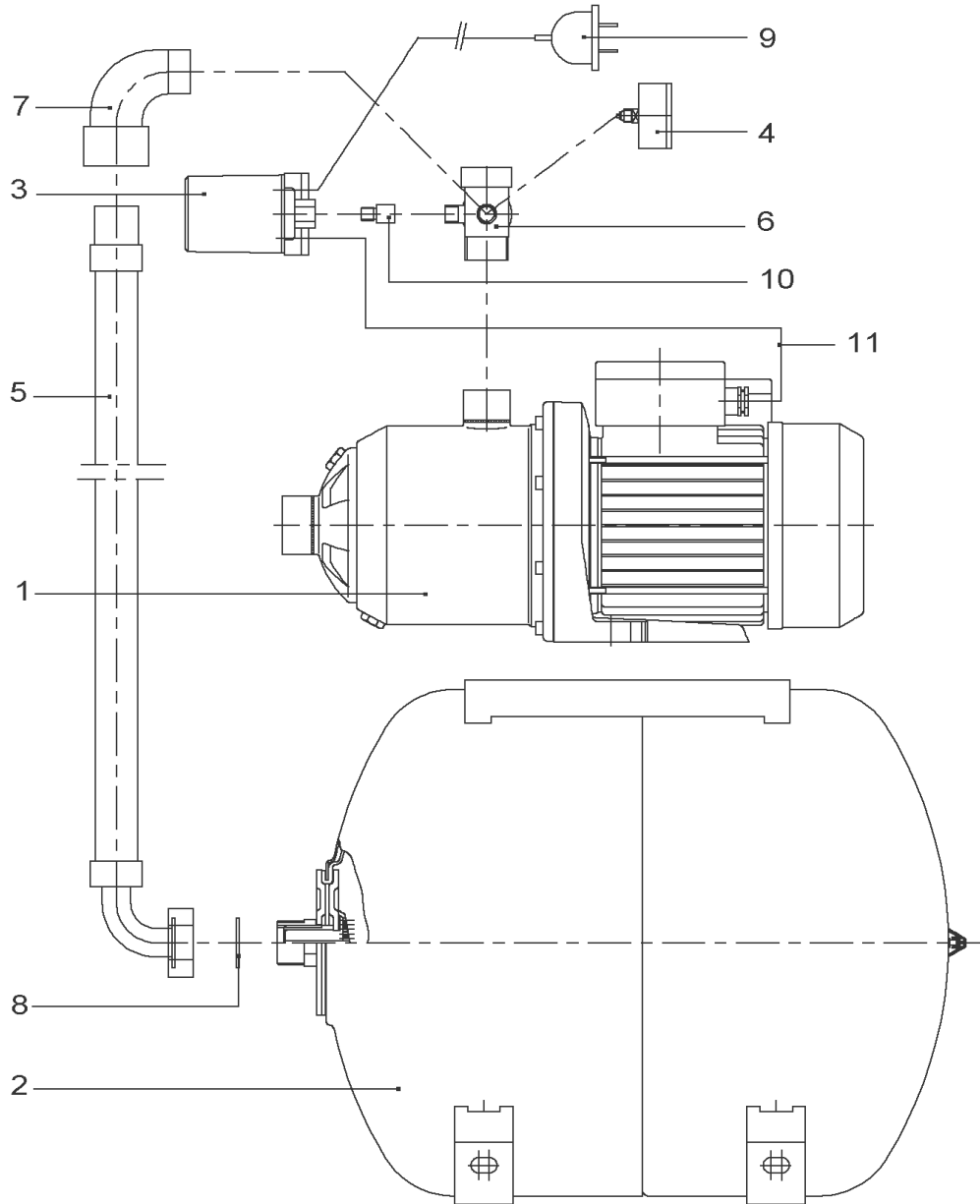
MC605-DM FROM VERSION: /F

Item	Article no.	Description	Quantity
1	4076322	CORPS-FAB-SPRINGSON-5ETAGES-INOX304	1
2	4054544	MC604-605 PUMP 1st STAGE KIT New range	1
Note: STAGE/ STUFE/ ETAGE: 1			
2.1	2123700	> FLAP METAL MC VP.	1
2.2		> SUCTION CASING VALVE EPDM AND STAIN.STEE	1
2.3		> IMPELLER-4M3-SP-LOW-FLOW	1
2.4		> STAGE HOUSING SUPPORT VALVE	1
3	4049864	MC604-605 PUMP OTHERS STAGES KIT	1
Note: STAGE/ STUFE/ ETAGE: 2/3/4			
2.3		> IMPELLER-4M3-SP	1
3.1		> STAGE CASING WITH RETURN GUIDE VANE-SP	1
4	4144682	LAST STAGE KIT MC604-605 ALU LANTERN	1
Note: STAGE/ STUFE/ ETAGE: 5			
2.3		> IMPELLER-4M3-SP-LOW-FLOW	1
3.1		> STAGE CASING WITH RETURN GUIDE VANE-SP	1
4.1		> DIFFUSOR STG WITH RETU CHANNEL-SP/MC	1
5	4049859	MULTICARGO PUMP MECHANICAL SEAL KIT	1
5.1	4036284	> GASKET-115X1-NITRILE	1
5.2	4017965	> O-RING D9,9X2,62 NITRILE 70SH	1
5.3	2090148	> CIRCLIP D14 MVI/MHI 316L (2 PIECES) VP.	1
		>> STOP-RUSH-1/2-D14-VMI/HMI-316	2
5.4		> DEFLECTOR D14xD22EP9 NORYL	1
5.5		> MECH.SEAL MG9/14 G60 BVPFF GM.BURGMANN	1
5.6		> THROWER 65/70SH-NITRILE	1
5.7	4233945	> O-RING ID.140 VP.	1
5.8		> THROWER-RUBBER-SH65/70	1
6	4056417	NUT M8 INOX 1.4404	1
8	4007350	SCREW M6X14 ISO4762 8.8 ZN	1
Note: PARTS/ STÜCK/ PIÈCES: 8			
10	2188170	Drain plug/o-ring G1/4" KIT	1
11	4025172	LANTERN MACHINED P171 M125	1
12		SPARE PARTS MOTOR MC605-DM/F (MG71)	1
13	4004679	Stationnary Ring Holder 1.4301	1



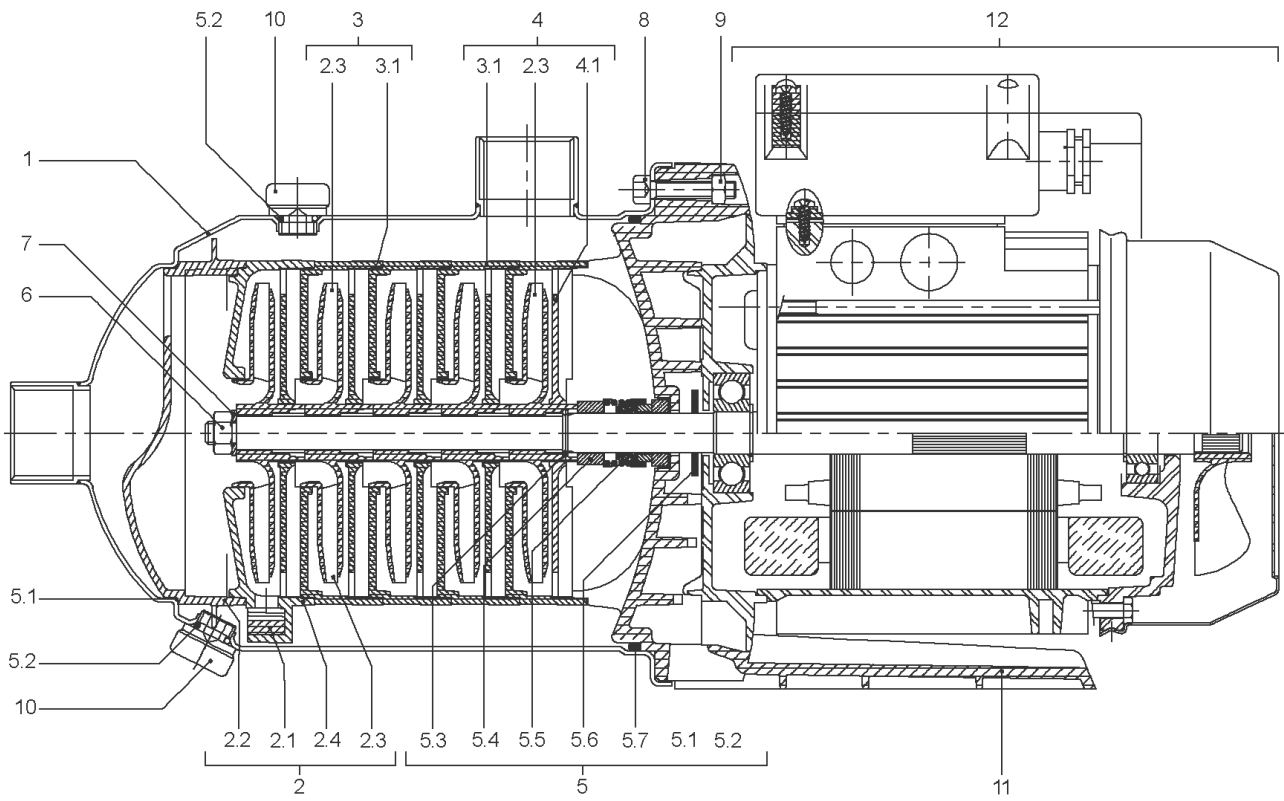
SPARE PARTS MOTOR MC605-DM/F (MG71)

Item	Article no.	Description	Quantity
7.6	4185162	BALL-BEARING-6302-C3-DDU-E-EA6 VP.	1
12.3	2049138	FAN D.130 MG.71 MP KIT	1
12.32	4210072	> Motor-fan-71-MHI Ø128 VP.	1
12.33		> FAN-COVER-MOTOR71-D110-LOCKING	1
12.31		> REAR-BEARING-MOT71-D110-GROOVE	1
12.4	122097891	BALL BEARING 6202/2Z-C3 (HT) VP.	1
12.5	4215742	Crinkled washer 6202/6300-C3 VP.	1
12.6	4090076	TERMINAL BOX KIT MC-DM (71)	1
12.61	4210082	> Terminal-Box-Cover-MOT-TRI-71 VP.	1
12.62	4209688	> Flat-Gasket-BAB-MOT71 VP.	1
	4057378	> TERMINAL BLOCK 50/32 6P	1
		> M3,5L14 THREAD FORMING SCREW	1
12.7	4207951	CIRCLIP D15X1 VP.	1
12.8	2106111	MOTOR FOOT MG.71 KIT	1
12.81		> MOTOR-SUPPORT-71	1
12.82		> SPRING-PIN-A5L20E	1



HMC605 EM (2511907)

Item	Article no.	Description	Quantity
1		MC605-EM	1
		> MC605-EM TO VERSION: /E	1
		> MC605-EM FROM VERSION: /F	1
1	4230657	MC605-EM VP.	1
2	2027578	DIAPHRAGM VESSEL 50L PN10 HWW VP.	1
	2124000	DIAPHRAGM 50L HW ACS VP.	1
Note: for pressure vessel/für Membranbehälter/pour reservoir: 2527268			
	2132491	DIAPHRAGM 50L-HWW VP.	1
Note: for pressure vessel/für Membranbehälter/pour reservoir: 2537381			
3	2106340	PRESSURE SWITCH PM5XH05 ACS 3.2/4.5+CA.V	1
4	2027581	PRESSURE GAUGE 0-6BAR D50 G1/4"HIND INL	1
5	2027583	FLEX.HOSE R1"M(W90°)-1"F550PN10 ACS.VP.	1
6	2068034	DISTRIBUTOR BRASS R1" TYPE RCLL 91 MM	1
7	2027585	ANGLE FITTING BRASS R1" TYPE RCM/F	1
8	2042873	FLAT GASKET 21x30x2 C4400 VP.	1
9	2027591	CONNECTION CABLE HMP/ HMHI/-1~230 CPL.	1
10	2042988	THREADED EXTENSION PIECE G1/4" BRASS	1

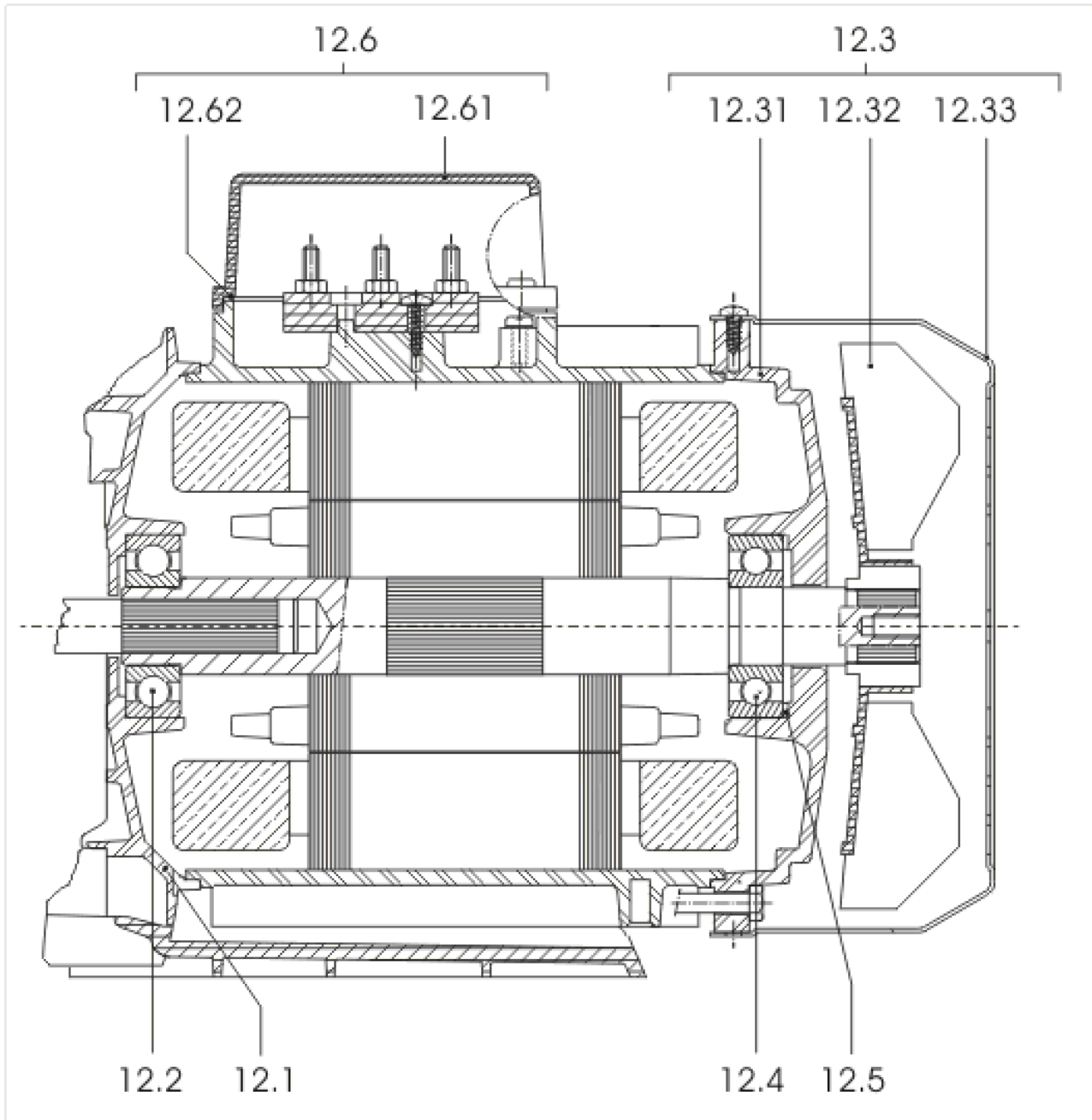


MC605-EM TO VERSION: /E

Item	Article no.	Description	Quantity
1	4076322	CORPS-FAB-SPRINGSON-5ETAGES-INOX304	1
2	4054544	MC604-605 PUMP 1st STAGE KIT New range	1
Note: STAGE/ STUFE/ ETAGE: 1			
2.1	2123700	> FLAP METAL MC VP.	1
2.2		> SUCTION CASING VALVE EPDM AND STAIN.STEE	1
2.3		> IMPELLER-4M3-SP-LOW-FLOW	1
2.4		> STAGE HOUSING SUPPORT VALVE	1
3	4049864	MC604-605 PUMP OTHERS STAGES KIT	1
Note: STAGE/ STUFE/ ETAGE: 2/3/4			
2.3		> IMPELLER-4M3-SP	1
3.1		> STAGE CASING WITH RETURN GUIDE VANE-SP	1
4	4049865	LAST STAGE KIT MC604-605 PUMP	1
Note: STAGE/ STUFE/ ETAGE: 5			
2.3		> IMPELLER-4M3-SP-LOW-FLOW	1
3.1		> STAGE CASING WITH RETURN GUIDE VANE-SP	1
4.1		> CANAL-RET-ULTEM2300	1
5	4049859	MULTICARGO PUMP MECHANICAL SEAL KIT	1
5.1	4036284	> GASKET-115X1-NITRILE	1
5.2	4017965	> O-RING D9,9X2,62 NITRILE 70SH	1
5.3	2090148	> CIRCLIP D14 MVI/MHI 316L (2 PIECES) VP.	1
		>> STOP-RUSH-1/2-D14-VMI/HMI-316	2
5.4		> DEFLECTOR D14xD22EP9 NORYL	1
5.5		> MECH.SEAL MG9/14 G60 BVPFF GM.BURGMANN	1
5.6		> THROWER 65/70SH-NITRILE	1
5.7	4233945	> O-RING ID.140 VP.	1
5.8		> THROWER-RUBBER-SH65/70	1
6	4056417	NUT M8 INOX 1.4404	1
7	74960033407	DISC MP3/6+MC3/6	1
8	4031762	SCREW M6X30 ISO4762 8.8 ZN	1
Note: PARTS/ STÜCK/ PIÈCES: 8			
9	4031766	NUT M6 MP3/6	1
Note: PARTS/ STÜCK/ PIÈCES: 8			
10	2188170	Drain plug/o-ring G1/4" KIT	1
11	4045110	LANTERN BRACKET	1

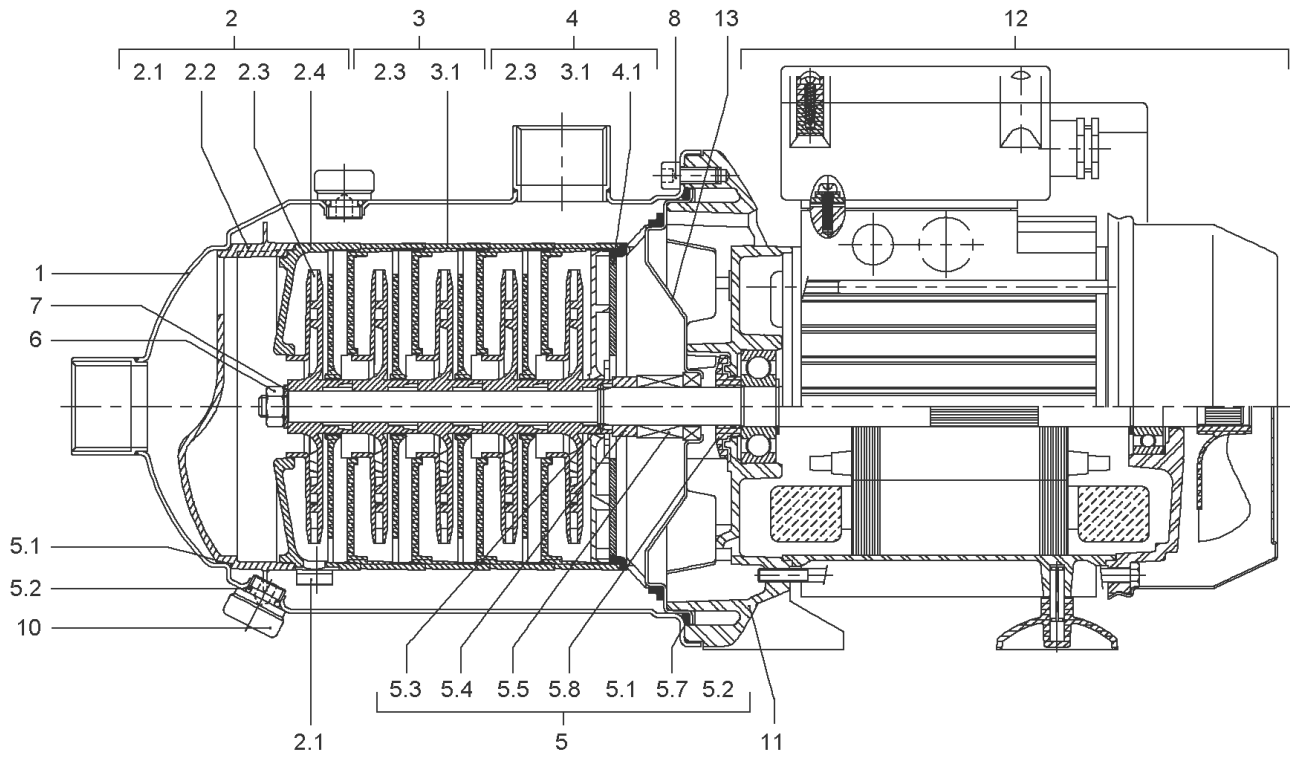
MC605-EM TO VERSION: /E

Item	Article no.	Description	Quantity
12		SPARE PARTS MOTOR MC605-EM (MG80)	1



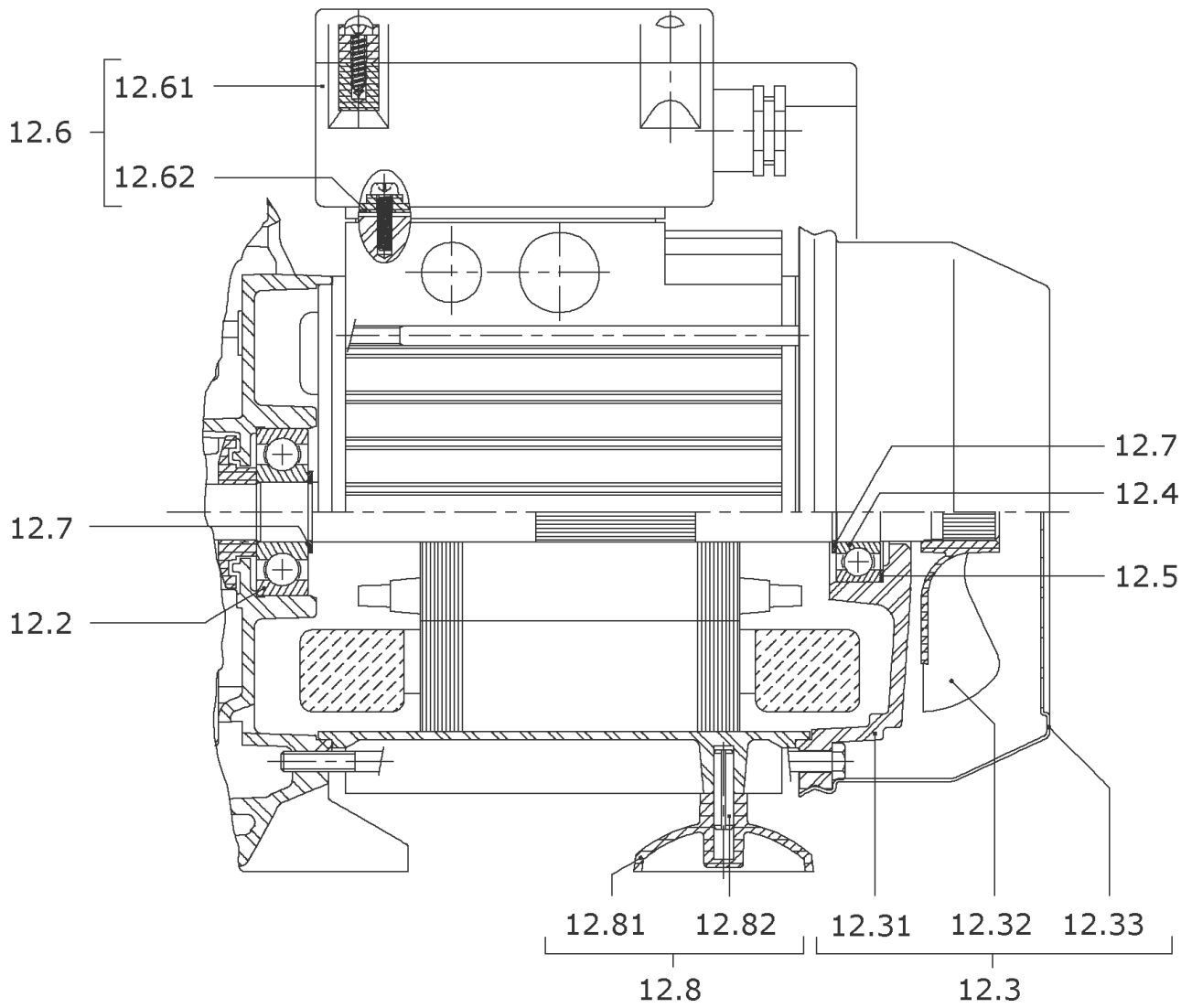
SPARE PARTS MOTOR MC605-EM (MG80)

Item	Article no.	Description	Quantity
12.1	4028057	MOTOR BEARING	1
12.2	121084499	BALL BEARING 6204/2Z-C3 (HT) VP.	1
12.3	2048819	FAN D.143 MG.80 MC/MHIL KIT	1
12.32	4007267	> MOTOR-FAN-80-MHI Ø143	1
12.33		> FAN-COVER-MOTOR80-D125-LOCKING	1
12.31		> REAR-BEARING-MOT80-D125-GROOVE	1
		> O-RING D47.2X3.53-EPDM	1
12.4	121084499	BALL BEARING 6204/2Z-C3 (HT) VP.	1
12.5	63852	SPRING-WASHER-A46B35-A	1
12.6	4090074	TERMINAL BOX KIT MC-EM (80)	1
12.61	4225307	> TERMINAL-BOX-COVER-MOT-MONO-80/90 KIT	1
12.62	4007671	> FLAT-GASKET-BAB-MOT80/90	1
	4007666	> CAPACITOR-20MF-450V-RPC2	1
Note: FOR/ FÜR/ POUR: MC605-EM/-B			
	2132534	> CAPACITOR 30MF 470V CA.LG.210 V1EC2 VP.	1
Note: FOR/ FÜR/ POUR: MC605-EM/C-E			
		> SCREW-CBL-Z-C/AT-ST3,5L13ZINGUE	1
		> SCREW F.KKD.(MHI2/4/8)	1
		> NUT-HM4-BRASS	1



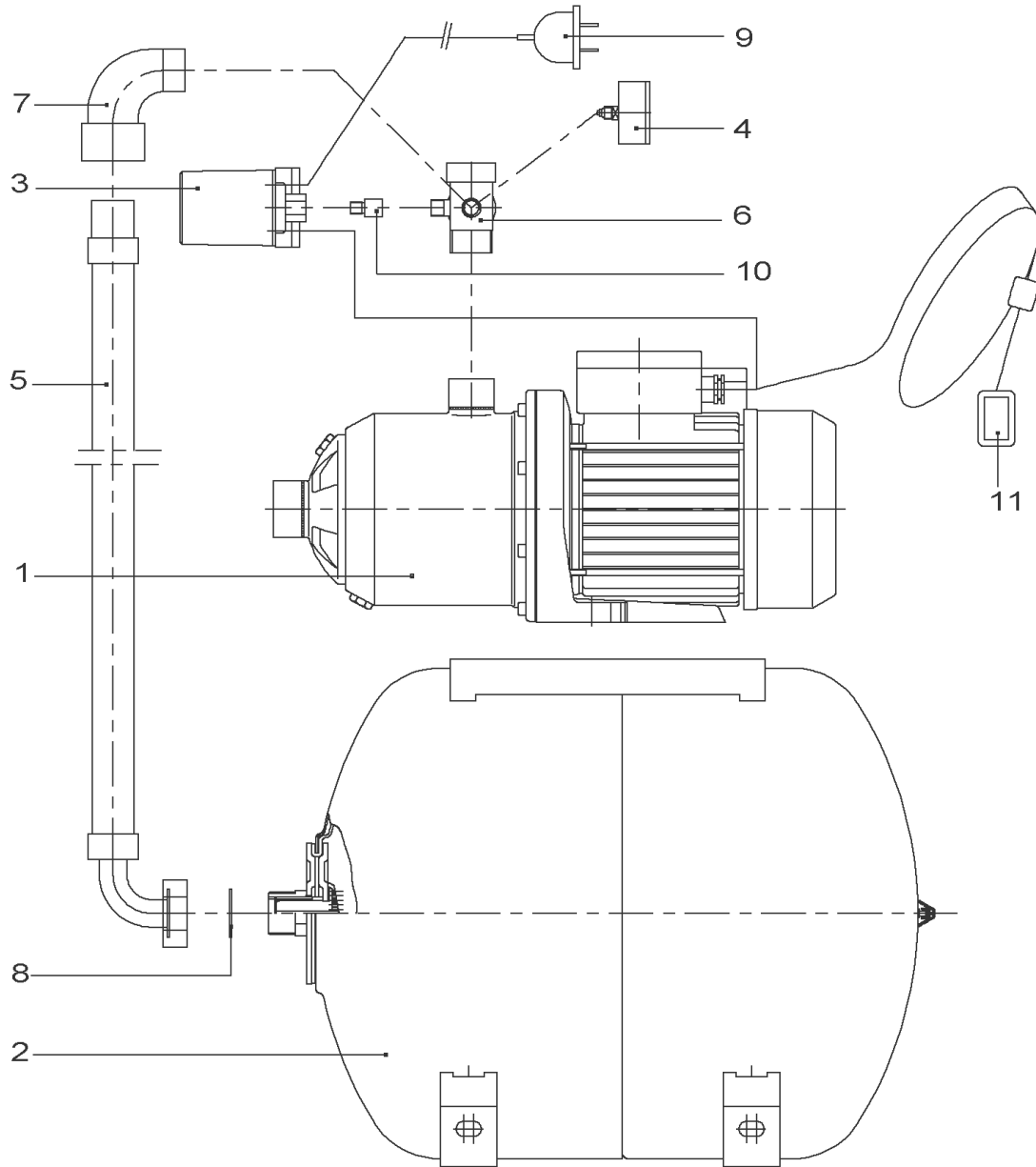
MC605-EM FROM VERSION: /F

Item	Article no.	Description	Quantity
1	4076322	CORPS-FAB-SPRINGSON-5ETAGES-INOX304	1
2	4054544	MC604-605 PUMP 1st STAGE KIT New range	1
Note: STAGE/ STUFE/ ETAGE: 1			
2.1	2123700	> FLAP METAL MC VP.	1
2.2		> SUCTION CASING VALVE EPDM AND STAIN.STEE	1
2.3		> IMPELLER-4M3-SP-LOW-FLOW	1
2.4		> STAGE HOUSING SUPPORT VALVE	1
3	4049864	MC604-605 PUMP OTHERS STAGES KIT	1
Note: STAGE/ STUFE/ ETAGE: 2/3/4			
2.3		> IMPELLER-4M3-SP	1
3.1		> STAGE CASING WITH RETURN GUIDE VANE-SP	1
4	4144682	LAST STAGE KIT MC604-605 ALU LANTERN	1
Note: STAGE/ STUFE/ ETAGE: 5			
2.3		> IMPELLER-4M3-SP-LOW-FLOW	1
3.1		> STAGE CASING WITH RETURN GUIDE VANE-SP	1
4.1		> DIFFUSOR STG WITH RETU CHANNEL-SP/MC	1
5	4049859	MULTICARGO PUMP MECHANICAL SEAL KIT	1
5.1	4036284	> GASKET-115X1-NITRILE	1
5.2	4017965	> O-RING D9,9X2,62 NITRILE 70SH	1
5.3	2090148	> CIRCLIP D14 MVI/MHI 316L (2 PIECES) VP.	1
		>> STOP-RUSH-1/2-D14-VMI/HMI-316	2
5.4		> DEFLECTOR D14xD22EP9 NORYL	1
5.5		> MECH.SEAL MG9/14 G60 BVPFF GM.BURGMANN	1
5.6		> THROWER 65/70SH-NITRILE	1
5.7	4233945	> O-RING ID.140 VP.	1
5.8		> THROWER-RUBBER-SH65/70	1
6	4056417	NUT M8 INOX 1.4404	1
8	4007350	SCREW M6X14 ISO4762 8.8 ZN	1
Note: PARTS/ STÜCK/ PIÈCES: 8			
10	2188170	Drain plug/o-ring G1/4" KIT	1
11	4005217	LANTERN-P171-M142-US	1
12		SPARE PARTS MOTOR MC605-EM/F (MG80)	1
13	4004679	Stationnary Ring Holder 1.4301	1



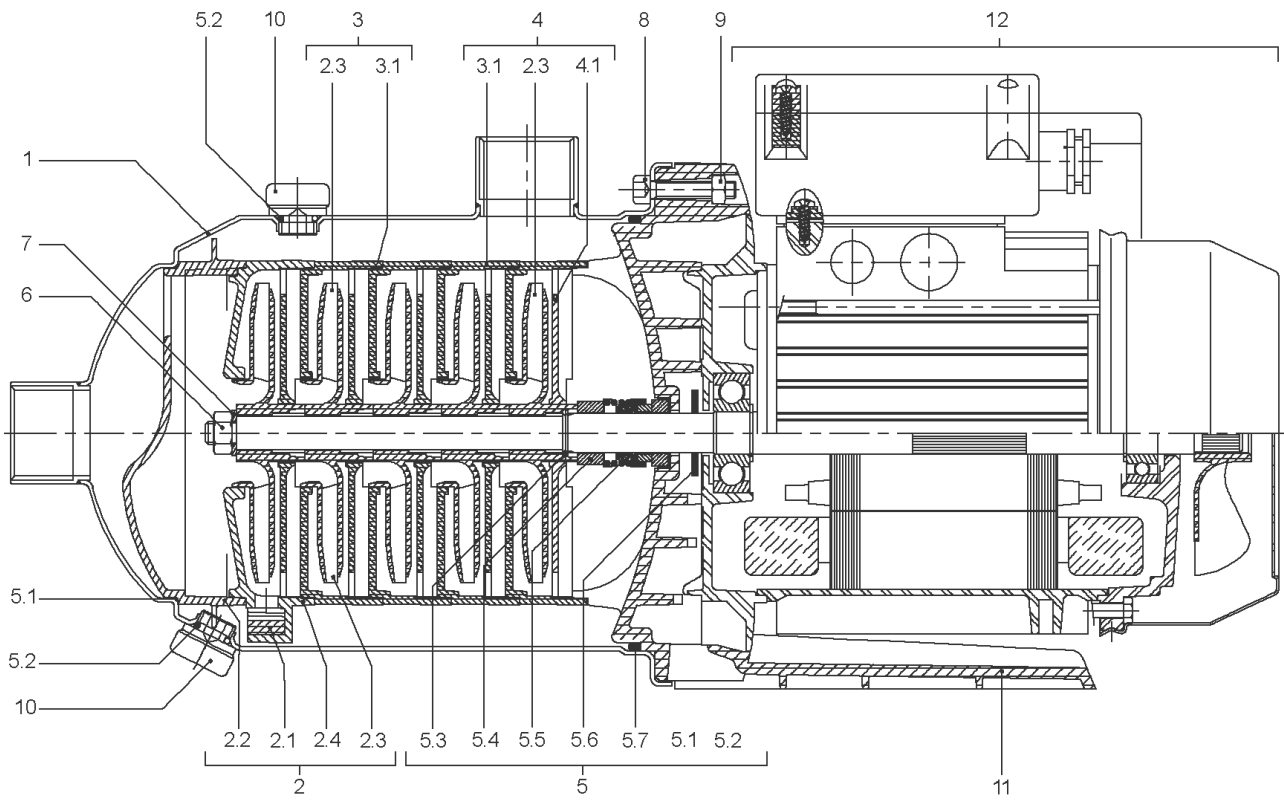
SPARE PARTS MOTOR MC605-EM/F (MG80)

Item	Article no.	Description	Quantity
12.2	4007227	BALL-BEARING-6304-C3-JOINTS-FROTTANTS	1
12.3	2048802	FAN D.143 MG.80 MP KIT	1
12.31		> REAR-BEARING-MOT80-D125-LOCKING	1
12.32	4007267	> MOTOR-FAN-80-MHI Ø143	1
12.33		> FAN-COVER-MOTOR80-D125-LOCKING	1
12.31		> REAR-BEARING-MOT80-D125-GROOVE	1
12.4	121084499	BALL BEARING 6204/2Z-C3 (HT) VP.	1
12.5	63852	SPRING-WASHER-A46B35-A	1
12.6	4090074	TERMINAL BOX KIT MC-EM (80)	1
12.61	4225307	> TERMINAL-BOX-COVER-MOT-MONO-80/90 KIT	1
12.62	4007671	> FLAT-GASKET-BAB-MOT80/90	1
	4007666	> CAPACITOR-20MF-450V-RPC2	1
Note: FOR/ FÜR/ POUR: MC605-EM/-B			
	2132534	> CAPACITOR 30MF 470V CA.LG.210 V1EC2 VP.	1
Note: FOR/ FÜR/ POUR: MC605-EM/C-E			
		> SCREW-CBL-Z-C/AT-ST3,5L13ZINGUE	1
		> SCREW F.KKD.(MHI2/4/8)	1
		> NUT-HM4-BRASS	1
12.8	2106112	MOTOR FOOT MG.80 KIT	1
12.81		> MOTOR-FOOT-SIZE-80	1
12.82		> SPRING-PIN-A5L20E	1



HMC605 EM -TR (2512323)

Item	Article no.	Description	Quantity
1		MC605-EM	1
		> MC605-EM TO VERSION: /E	1
		> MC605-EM FROM VERSION: /F	1
1	4230657	MC605-EM VP.	1
2	2027578	DIAPHRAGM VESSEL 50L PN10 HWW VP.	1
	2124000	DIAPHRAGM 50L HW ACS VP.	1
Note: for pressure vessel/für Membranbehälter/pour reservoir: 2527268			
	2132491	DIAPHRAGM 50L-HWW VP.	1
Note: for pressure vessel/für Membranbehälter/pour reservoir: 2537381			
3	2106340	PRESSURE SWITCH PM5XH05 ACS 3.2/4.5+CA.V	1
4	2027581	PRESSURE GAUGE 0-6BAR D50 G1/4"HIND INL	1
5	2027583	FLEX.HOSE R1"M(W90°)-1"F550PN10 ACS.VP.	1
6	2068034	DISTRIBUTOR BRASS R1" TYPE RCLL 91 MM	1
7	2027585	ANGLE FITTING BRASS R1" TYPE RCM/F	1
8	2042873	FLAT GASKET 21x30x2 C4400 VP.	1
9	2027591	CONNECTION CABLE HMP/ HMHI/-1~230 CPL.	1
10	2042988	THREADED EXTENSION PIECE G1/4" BRASS	1
11	2042896	CONNECTION SET HMP/C6 /HMHI4 TR	1

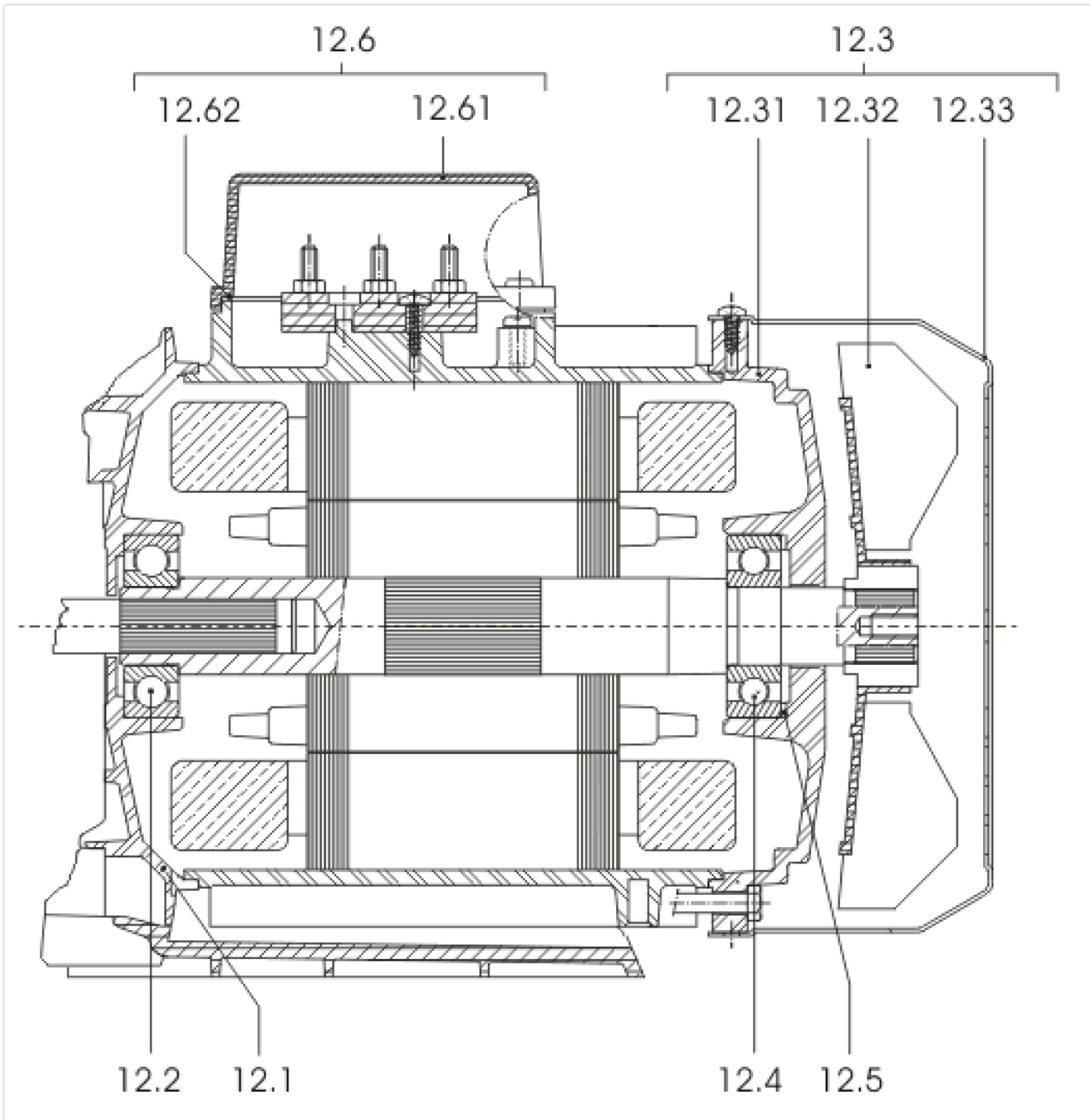


MC605-EM TO VERSION: /E

Item	Article no.	Description	Quantity
1	4076322	CORPS-FAB-SPRINGSON-5ETAGES-INOX304	1
2	4054544	MC604-605 PUMP 1st STAGE KIT New range	1
Note: STAGE/ STUFE/ ETAGE: 1			
2.1	2123700	> FLAP METAL MC VP.	1
2.2		> SUCTION CASING VALVE EPDM AND STAIN.STEE	1
2.3		> IMPELLER-4M3-SP-LOW-FLOW	1
2.4		> STAGE HOUSING SUPPORT VALVE	1
3	4049864	MC604-605 PUMP OTHERS STAGES KIT	1
Note: STAGE/ STUFE/ ETAGE: 2/3/4			
2.3		> IMPELLER-4M3-SP	1
3.1		> STAGE CASING WITH RETURN GUIDE VANE-SP	1
4	4049865	LAST STAGE KIT MC604-605 PUMP	1
Note: STAGE/ STUFE/ ETAGE: 5			
2.3		> IMPELLER-4M3-SP-LOW-FLOW	1
3.1		> STAGE CASING WITH RETURN GUIDE VANE-SP	1
4.1		> CANAL-RET-ULTEM2300	1
5	4049859	MULTICARGO PUMP MECHANICAL SEAL KIT	1
5.1	4036284	> GASKET-115X1-NITRILE	1
5.2	4017965	> O-RING D9,9X2,62 NITRILE 70SH	1
5.3	2090148	> CIRCLIP D14 MVI/MHI 316L (2 PIECES) VP.	1
		>> STOP-RUSH-1/2-D14-VMI/HMI-316	2
5.4		> DEFLECTOR D14xD22EP9 NORYL	1
5.5		> MECH.SEAL MG9/14 G60 BVPFF GM.BURGMANN	1
5.6		> THROWER 65/70SH-NITRILE	1
5.7	4233945	> O-RING ID.140 VP.	1
5.8		> THROWER-RUBBER-SH65/70	1
6	4056417	NUT M8 INOX 1.4404	1
7	74960033407	DISC MP3/6+MC3/6	1
8	4031762	SCREW M6X30 ISO4762 8.8 ZN	1
Note: PARTS/ STÜCK/ PIÈCES: 8			
9	4031766	NUT M6 MP3/6	1
Note: PARTS/ STÜCK/ PIÈCES: 8			
10	2188170	Drain plug/o-ring G1/4" KIT	1
11	4045110	LANTERN BRACKET	1

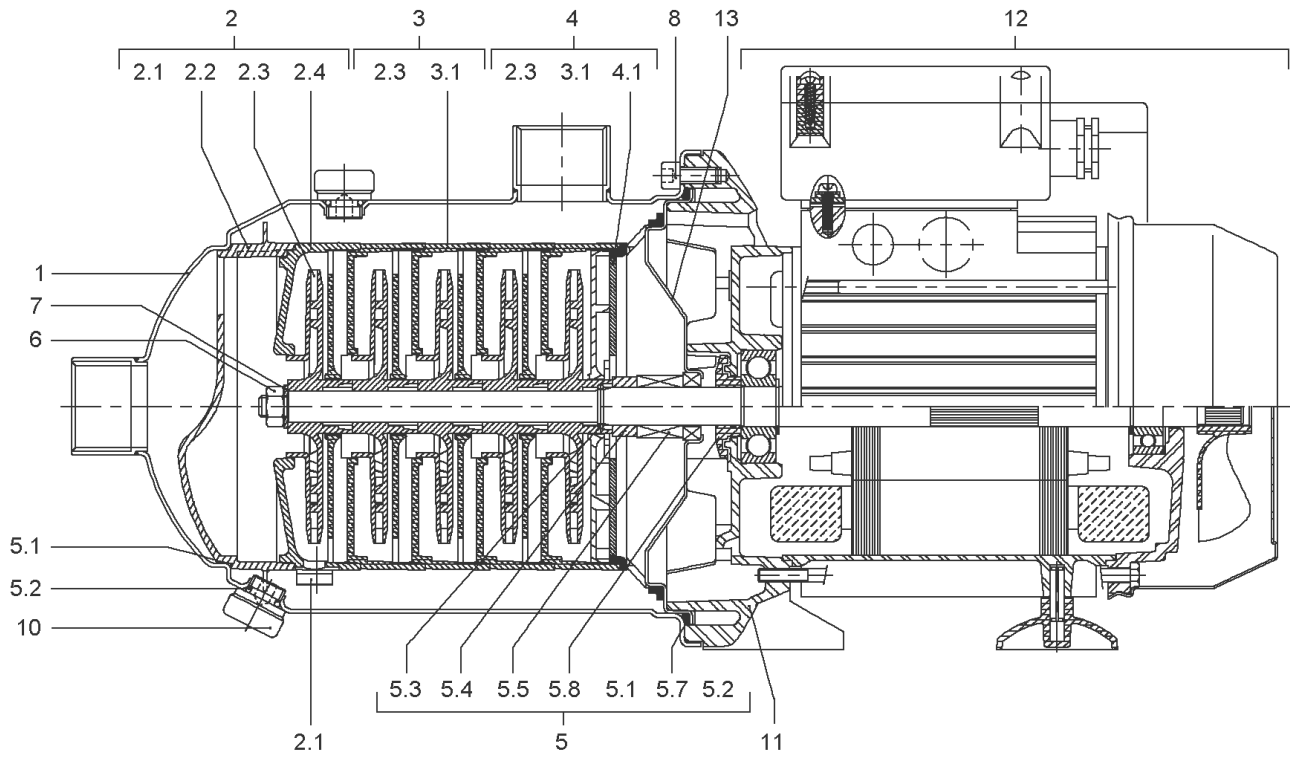
MC605-EM TO VERSION: /E

Item	Article no.	Description	Quantity
12		SPARE PARTS MOTOR MC605-EM (MG80)	1



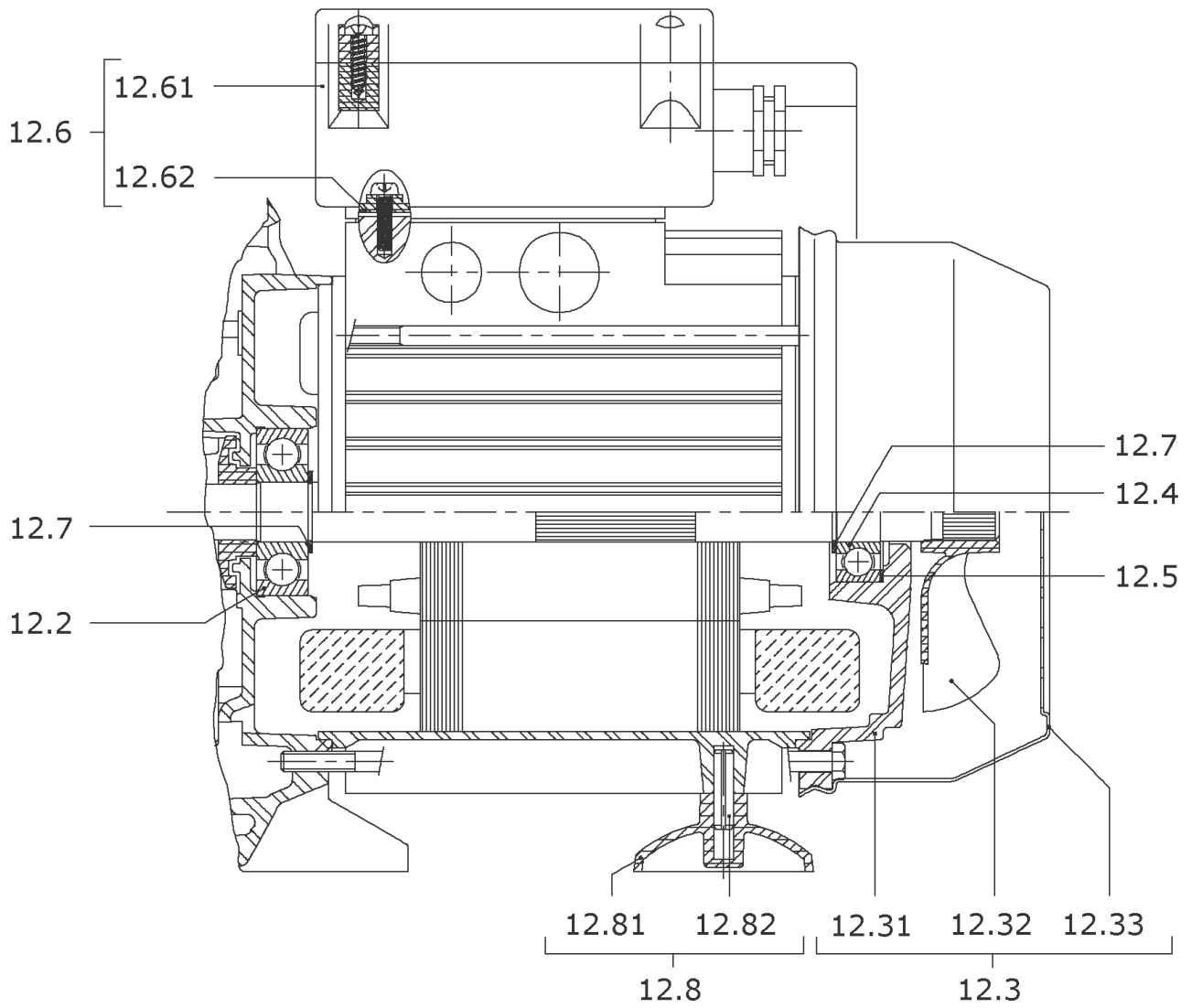
SPARE PARTS MOTOR MC605-EM (MG80)

Item	Article no.	Description	Quantity
12.1	4028057	MOTOR BEARING	1
12.2	121084499	BALL BEARING 6204/2Z-C3 (HT) VP.	1
12.3	2048819	FAN D.143 MG.80 MC/MHIL KIT	1
12.32	4007267	> MOTOR-FAN-80-MHI Ø143	1
12.33		> FAN-COVER-MOTOR80-D125-LOCKING	1
12.31		> REAR-BEARING-MOT80-D125-GROOVE	1
		> O-RING D47.2X3.53-EPDM	1
12.4	121084499	BALL BEARING 6204/2Z-C3 (HT) VP.	1
12.5	63852	SPRING-WASHER-A46B35-A	1
12.6	4090074	TERMINAL BOX KIT MC-EM (80)	1
12.61	4225307	> TERMINAL-BOX-COVER-MOT-MONO-80/90 KIT	1
12.62	4007671	> FLAT-GASKET-BAB-MOT80/90	1
	4007666	> CAPACITOR-20MF-450V-RPC2	1
Note: FOR/ FÜR/ POUR: MC605-EM/-B			
	2132534	> CAPACITOR 30MF 470V CA.LG.210 V1EC2 VP.	1
Note: FOR/ FÜR/ POUR: MC605-EM/C-E			
		> SCREW-CBL-Z-C/AT-ST3,5L13ZINGUE	1
		> SCREW F.KKD.(MHI2/4/8)	1
		> NUT-HM4-BRASS	1



MC605-EM FROM VERSION: /F

Item	Article no.	Description	Quantity
1	4076322	CORPS-FAB-SPRINGSON-5ETAGES-INOX304	1
2	4054544	MC604-605 PUMP 1st STAGE KIT New range	1
Note: STAGE/ STUFE/ ETAGE: 1			
2.1	2123700	> FLAP METAL MC VP.	1
2.2		> SUCTION CASING VALVE EPDM AND STAIN.STEE	1
2.3		> IMPELLER-4M3-SP-LOW-FLOW	1
2.4		> STAGE HOUSING SUPPORT VALVE	1
3	4049864	MC604-605 PUMP OTHERS STAGES KIT	1
Note: STAGE/ STUFE/ ETAGE: 2/3/4			
2.3		> IMPELLER-4M3-SP	1
3.1		> STAGE CASING WITH RETURN GUIDE VANE-SP	1
4	4144682	LAST STAGE KIT MC604-605 ALU LANTERN	1
Note: STAGE/ STUFE/ ETAGE: 5			
2.3		> IMPELLER-4M3-SP-LOW-FLOW	1
3.1		> STAGE CASING WITH RETURN GUIDE VANE-SP	1
4.1		> DIFFUSOR STG WITH RETU CHANNEL-SP/MC	1
5	4049859	MULTICARGO PUMP MECHANICAL SEAL KIT	1
5.1	4036284	> GASKET-115X1-NITRILE	1
5.2	4017965	> O-RING D9,9X2,62 NITRILE 70SH	1
5.3	2090148	> CIRCLIP D14 MVI/MHI 316L (2 PIECES) VP.	1
		>> STOP-RUSH-1/2-D14-VMI/HMI-316	2
5.4		> DEFLECTOR D14xD22EP9 NORYL	1
5.5		> MECH.SEAL MG9/14 G60 BVPFF GM.BURGMANN	1
5.6		> THROWER 65/70SH-NITRILE	1
5.7	4233945	> O-RING ID.140 VP.	1
5.8		> THROWER-RUBBER-SH65/70	1
6	4056417	NUT M8 INOX 1.4404	1
8	4007350	SCREW M6X14 ISO4762 8.8 ZN	1
Note: PARTS/ STÜCK/ PIÈCES: 8			
10	2188170	Drain plug/o-ring G1/4" KIT	1
11	4005217	LANTERN-P171-M142-US	1
12		SPARE PARTS MOTOR MC605-EM/F (MG80)	1
13	4004679	Stationnary Ring Holder 1.4301	1



SPARE PARTS MOTOR MC605-EM/F (MG80)

Item	Article no.	Description	Quantity
12.2	4007227	BALL-BEARING-6304-C3-JOINTS-FROTTANTS	1
12.3	2048802	FAN D.143 MG.80 MP KIT	1
12.31		> REAR-BEARING-MOT80-D125-LOCKING	1
12.32	4007267	> MOTOR-FAN-80-MHI Ø143	1
12.33		> FAN-COVER-MOTOR80-D125-LOCKING	1
12.31		> REAR-BEARING-MOT80-D125-GROOVE	1
12.4	121084499	BALL BEARING 6204/2Z-C3 (HT) VP.	1
12.5	63852	SPRING-WASHER-A46B35-A	1
12.6	4090074	TERMINAL BOX KIT MC-EM (80)	1
12.61	4225307	> TERMINAL-BOX-COVER-MOT-MONO-80/90 KIT	1
12.62	4007671	> FLAT-GASKET-BAB-MOT80/90	1
	4007666	> CAPACITOR-20MF-450V-RPC2	1
Note: FOR/ FÜR/ POUR: MC605-EM/-B			
	2132534	> CAPACITOR 30MF 470V CA.LG.210 V1EC2 VP.	1
Note: FOR/ FÜR/ POUR: MC605-EM/C-E			
		> SCREW-CBL-Z-C/AT-ST3,5L13ZINGUE	1
		> SCREW F.KKD.(MHI2/4/8)	1
		> NUT-HM4-BRASS	1
12.8	2106112	MOTOR FOOT MG.80 KIT	1
12.81		> MOTOR-FOOT-SIZE-80	1
12.82		> SPRING-PIN-A5L20E	1