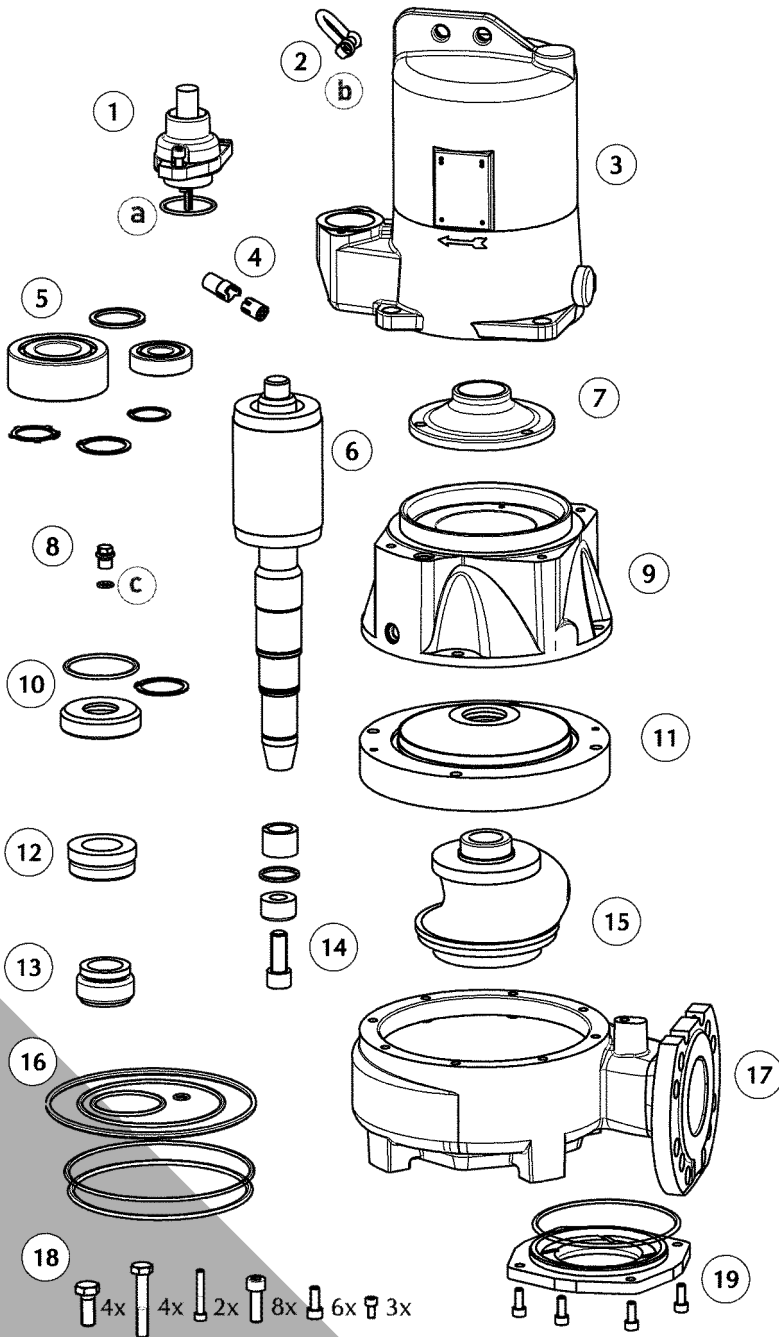


MULTISTREAM 55/2

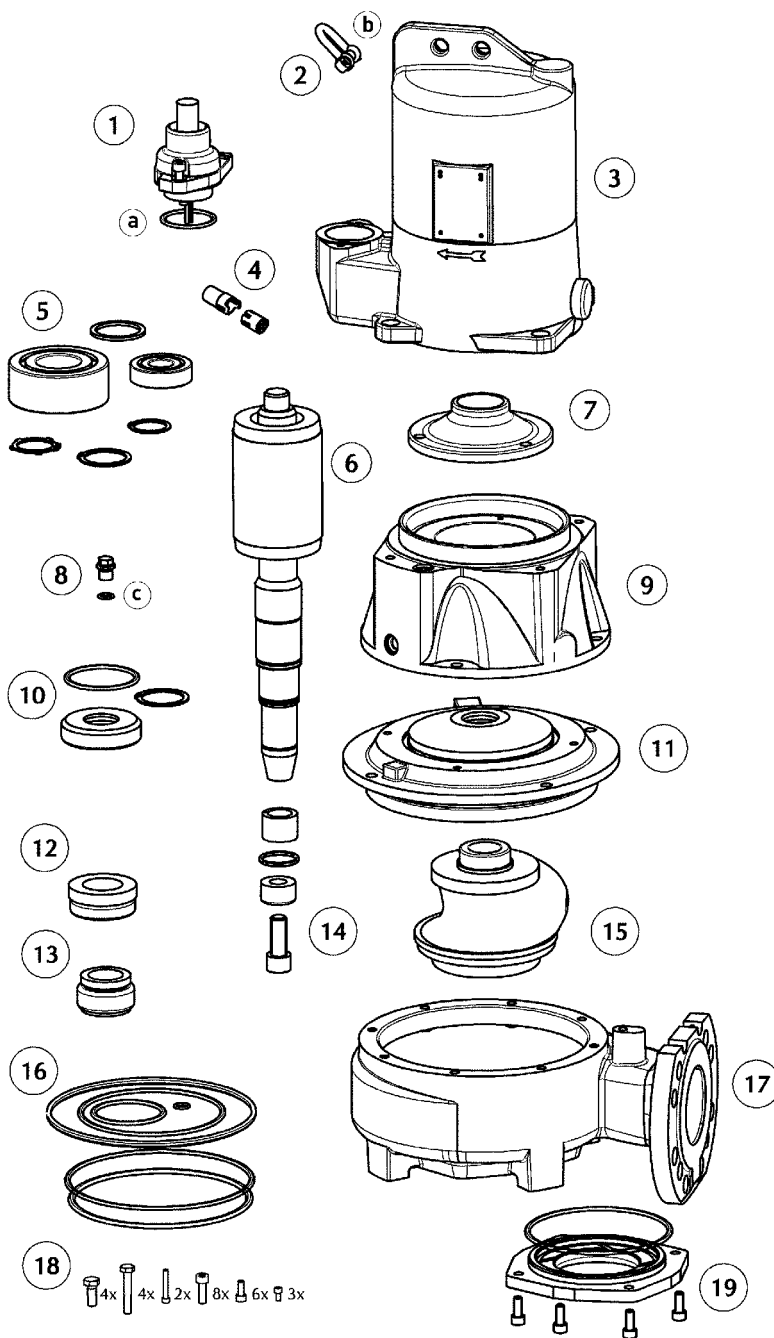
Ersatzteile - Spare parts - Pièces de rechange - Reserveonderdelen - Parti di ricambio - Reservedele - Reservdelar
 Varaosat - Części zamienne - Náhradní díly - Alkatrészek - Piese de schimb - Запасные части - 备件



①	Leitung	Cable	
	10 m		JP46575
	EX, 10 m		JP46576
	EX, 15 m		JP46634
	EX, 20 m		JP46635
	EX, 25 m		JP46636
	EX, 30 m		JP46637
②	Schäkel	Shackle	JP45904
③	Stator + Gehäuse	Stator + Housing	JP47141
④	Steckverbinder	Connector	JP46573
⑤	Lagersatz	Bearing set	JP47137
⑥	Rotorwelle	Rotor shaft	JP47148
⑦	Lagerdeckel	Bearing cover	JP47155
⑧	Ölschraube	Oil screw	JP46046
⑨	Lagerkammer	Bearing housing	JP47162
⑩	Wellenabdeckung	Shaft cover	JP47181
⑪	Trennflansch	Partition flange	JP47160
⑫	Gleitringdichtung	Mechanical seal	JP46587
⑬	Gleitringdichtung	Mechanical seal	JP47140
⑭	Lauf radbefestigung	Impeller fixation	JP47182
⑮	Lauf rad	Impeller	JP47145
⑯	Dichtungssatz	Seal set	JP47138
⑰	Pumpengehäuse	Pump casing	JP47063
⑱	Schraubensatz	Screw set	JP47139
⑲	Schleifring	Wear ring	JP47163
⑳	1l Öl	1l Oil	JP48236

a	10x O-Ring 47x3,5	JP48110
b	10x Splint / Cotter pins 1,6 x 20	JP46182
c	10x O-Ring 10x2,5	JP48088

MULTISTREAM 55/4 - 100/4



a	10x O-Ring 47x3,5	JP48110
b	10x Splint / Cotter pins 1,6 x 20	JP46182
c	10x O-Ring 10x2,5	JP48088

①	Leitung 10 m EX, 10 m EX, 15 m EX, 20 m EX, 25 m EX, 30 m	Cable	JP46575 JP46576 JP46634 JP46635 JP46636 JP46637
②	Schäkel	Shackle	JP45904
③	Stator + Gehäuse 55/4 75/2 75/4 100/2 100/4	Stator + Housing	JP47142 JP46574 JP47143 JP47144 JP47178
④	Steckverbinder	Connector	JP46573
⑤	Lagersatz	Bearing set	JP47137
⑥	Rotorwelle 55/4 75/2 75/4, 76/4 100/2 100/4	Rotor shaft	JP47151 JP47149 JP47152 JP47150 JP47169
⑦	Lagerdeckel	Bearing cover	JP47155
⑧	Ölschraube	Oil screw	JP46046
⑨	Lagerkammer	Bearing housing	JP47158
⑩	Wellenabdeckung	Shaft cover	JP47181
⑪	Trennflansch B5 B6, C2, C5	Partition flange	JP47159 JP47161
⑫	Gleitringdichtung	Mechanical seal	JP46587
⑬	Gleitringdichtung	Mechanical seal	JP47140
⑭	Laufradbefestigung B5, C5, 55/4 C2 B6, 75/4, 100/4 C2	Impeller fixation	JP47182 JP47183
⑮	Laufrad 55/4 B6 55/4 C2 55/4 C5 75/2 B5 75/4 B6 75/4 C2 75/4 C5 100/2 B5 76/4 C5, 100/4 C2, 100/4 C5	Impeller	JP47156 JP47172 JP47170 JP47146 JP47157 JP47173 JP47171 JP47147 JP47174
⑯	Dichtungssatz	Seal set	JP47138
⑰	Pumpengehäuse B5 B6 C2 C5 UC ...C5 UC ...B6	Pump casing	JP47153 JP47101 JP47175 JP47176 JP47177 JP47154
⑱	Schraubensatz	Screw set	JP47139
⑲	SchleiBring 55/4 B6 55/4 C2 55/4 C5, 75/4 C5 75/2 B5 75/4 B6 75/4 C2, 76/4 C5, 100/4 C2, 100/4 C5 100/2 B5	Wear ring	JP47164 JP47167 JP47166 JP47072 JP47165 JP47168 JP47163
⑳	1l Öl	1l Oil	JP48236