



ES 1000 P

ES 1000 P – A chassis mounted heating or chilled water pressurisation unit, for cold fill pressures up to 2.8 Bar (28 Metres)

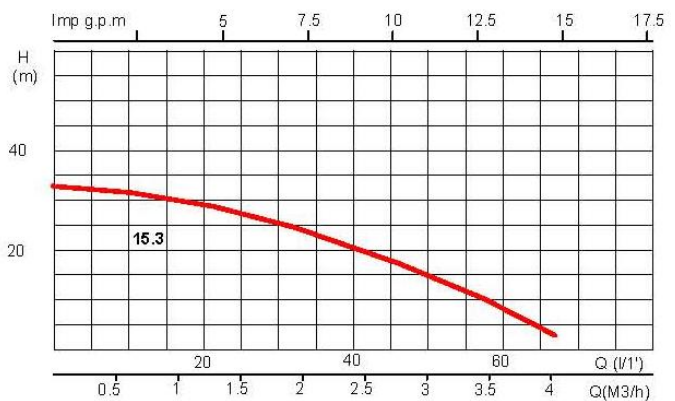
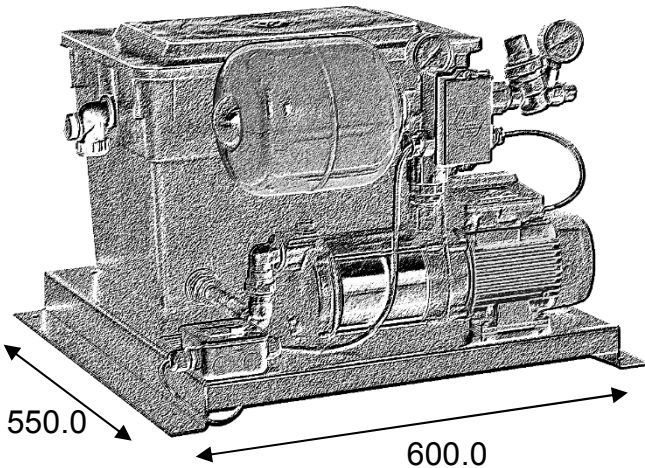


High & low pressure switch assembly

- ESPA Pressurisation equipment automatically controls the pressure in a sealed system delivering water at a pre-determined pressure.
- Once the system has been filled the ES 1000 P will take over and maintain the optimum system conditions.
- Should a loss of water occur in the system, for any reason, the pressure switch will detect the drop in pressure and automatically start the pump restoring the system to the original cold fill pressure.



ES 1000 P



Dimensions in millimetres
Dry Weight: 24 kgs

230 v 50 Hz	Amps	P1	kW	HP	uF	I/1,	10	20	30	35	40	50	60	65
						M3/h	0.6	1.2	1.8	2.1	2.4	3.0	3.6	3.9
Prisma 15.3M	2.1	0.61	0.37	0.5	12		32	30	26	24	22	17	10.5	7

System Connections

- 1/2" BSP 15mm pipe connection to float valve
- 1/2" BSP 15mm pipe connection to system

Electrical Connections

The unit should be connected to a 240v single phase supply, via a fused switched outlet fitted with a 3 amp fuse.

Location

The unit should be installed in a dry, well ventilated position, protected from extremes of heat and cold.

Options (Extra)

ZHLPS2 High & Low pressure switch kit.

- Steel chassis finished in epoxy powder paint.
- 18 Ltr (Actual capacity) break tank. Complying with Byelaws 11 Type "AA" air gap.
- 3 Ltr pump starting buffer vessel
- Pressure switch for pump operation
- Chassis mounted On / Off switch.
- Adjustable pressure regulating valve, providing steady down stream pressure independent of pump pressure.
- Pressure gauges displaying pump pressure and down stream pressure.