

grindex | Pump raft for drainage pumps

Grindex pump raft is a handy solution to the problem with a drainage pump that digs itself down in sand and mud when operating. The raft keeps the pump floating, minimising the unnecessary wear that comes from pumping sand.

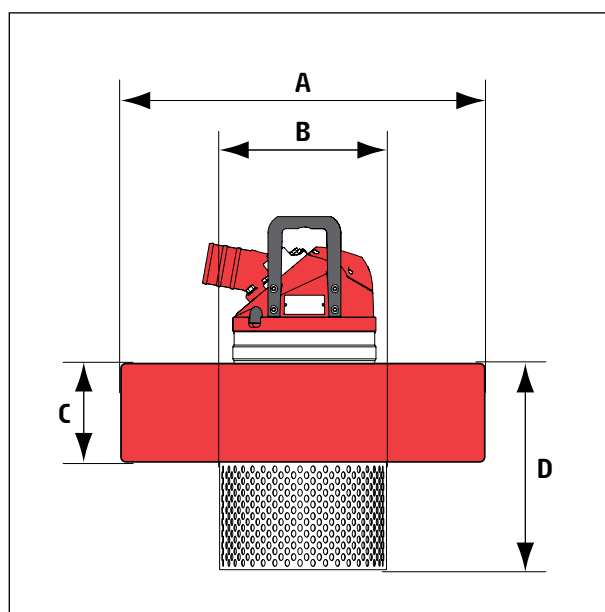
Grindex pump raft is made of oil resistant polyethylene, filled with expanding polystyrene. This raft model is very easy to install and is available in two sizes.



| Technical data | | | | | |
|---------------------------|------------------|---------------------|---------------------|------------|------------------|
| For pump model | Lifting capacity | Outer dimension (A) | Inner dimension (B) | Height (C) | Total height (D) |
| Micro Macro Minex | 25 kg | 550 mm | 247 mm | 200 mm | 473 mm |
| Minette Minor Major | 55 kg | 820 mm | 400 mm | 210 mm | 584 mm |



Pump is not included.



Published: 2009.05