

Submersible drainage pumps for hot clear water and domestic waste water. Spherical clearance 10–28 mm.

H307, H313, H328 V

Application

Pumps for pumping clean or soiled water at high temperatures. With the advantage of thick wall casting for dissipation of heat and viton seals, they are the ideal solution to pump condensate, clear water or drainage water up to 90°C. The models H 307 and H 313 are used for pumping clear water or drainage water up to 10 mm spherical clearance, model H 328 V up to 28 mm spherical clearance. They are suitable for laundries, car washes, food industries and many other applications.

Installation: Stationary or mobile. Version with float switch for use as automatic water level controlled drainage pump.

DIN EN 12050-2: Conformity and type-tested and monitored by the LGA.

Installation: Stationary or mobile.

Conveying medium: Clear or domestic waste water and condensate. Max temperature of pumped medium: 90 °C.

Operating mode: Intermittent operation.

Construction

Fully submersible pump, consisting of:

Pump: Single stage centrifugal pump with horizontal pressure connection.

Impeller: H307/H313 open multi-channel impeller, spherical clearance 10 mm. H328V Vortex impeller, spherical clearance 28 mm.

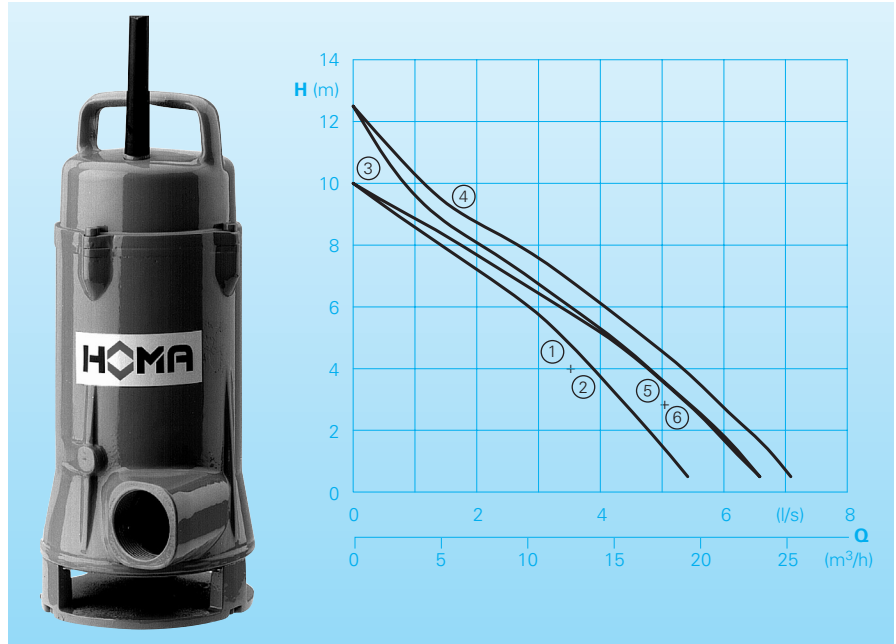
Motor: Fully immersible motor, sealed against pressurised water, oil-filled. Insulation class H, protection rating IP 68. Thermostat sensor for temperature monitoring in the winding. Electrical compartment is separate from motor.

Connecting cable: BI HF-J 4 x 1,5
Type WA: BI HF-J 5 x 1,5

Shaft/Bearing: Generously-proportioned chromium steel motor shaft, permanently-lubricated roller bearing.

Seal: Combination of mechanical seal and radial shaft seal that is independent of the direction of rotation

Conveying capacities



Technical Data

Curve no.	Pump type	Motor power		Voltage 50 Hz (V)	Nominal current (A)	Weight (kg)
		P ₁ (kW)	P ₂ (kW)			
①	H307 W (A)	0,8	0,5	230/1Ph	3,4	18
②	H307 D (A)	0,7	0,5	400/3Ph	1,3	18
③	H313 W (A)	1,0	0,7	230/1Ph	4,3	18
④	H313 D (A)	1,2	0,9	400/3Ph	2,2	20
⑤	H328 V W (A)	1,2	0,9	230/1Ph	5,2	20
⑥	H328 V D (A)	1,2	0,9	400/3Ph	2,2	20

Speed: 2900 rpm

Pressure connection: R 1½ F

Type A: With automatic float switch HOMA-Nivomatik.

Materials

Pump housing, impeller, motor housing	Cast iron EN-GJL-250
Motor shaft	Stainless steel
Mechanical seal	SiC/SiC
Elastomers	VITON
Connection cable	Silicon

Scope of Supply

Pump with 10 m of connection cable

Type W (230 V / 1 Ph):

With control unit W1 with motor protection, ON/OFF switch and mains plug, capacitor.

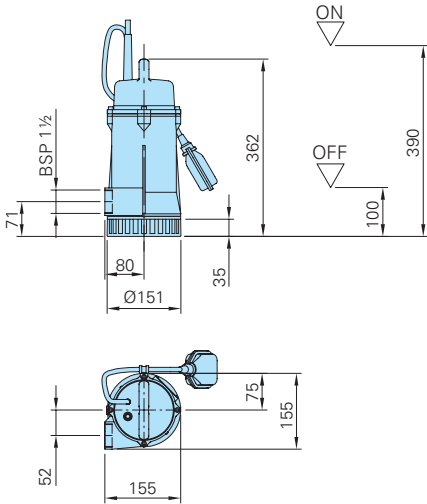
Type D (400 V / 3Ph):

Control unit D32 with motor protection, ON/OFF switch and direction reversal plug.

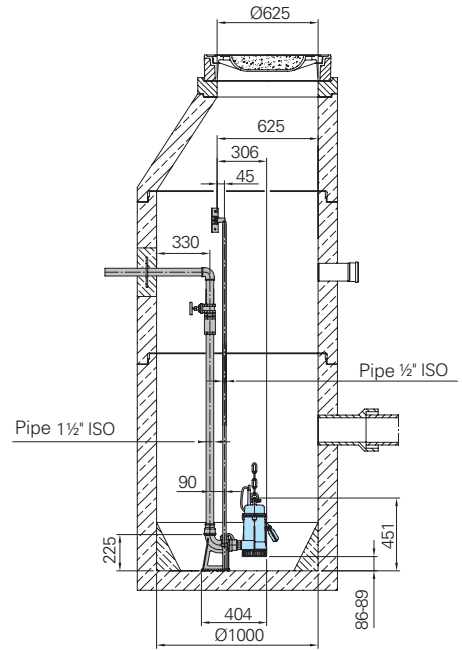
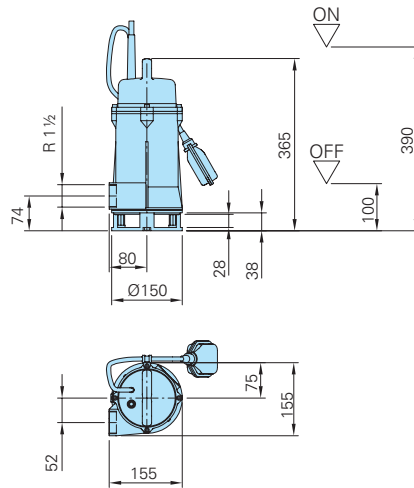
Type A: Additionally with automatic float switch HOMA Nivomatik, control unit WA1/DA32 with Manual/Auto switch.

Dimensions and Installation Example (all dimensions in mm)

**H307,
H313**



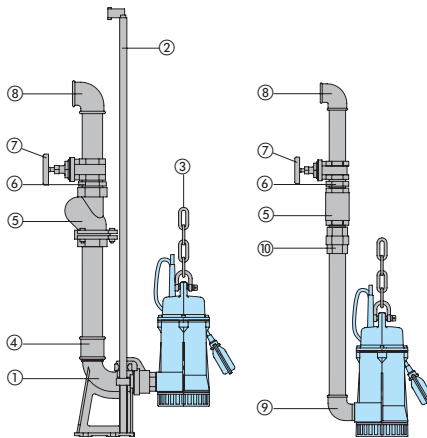
H328 V



Sump installation with auto-coupling system.

Permanent installation utilising a submerged auto-coupling guide rail system for automatic connection and disconnection of the pump from the pipework from outside the sump. Applicable for single or multi pump stations. Advantages: Little space requirement, easy pump service and maintenance.

Accessories



Description	Size	Part No.
① Automatic coupling system cast iron with mating flange, double nipple, base elbow with thread and slide rail bracket KK50/BSP1 1/2"	BSP2"/BSP1 1/2"	8604000
○ Coupling system, fully or partly stainless steel	all	on demand
○ Sets of screws/bolts for fastening coupling systems		on demand

Description	Size	Part No.
Intermediate bracket for slide rail extension	Ø 1/2"	7320271
② Slide rails, in pairs, per m steel galvanised	Ø 1/2"	2190085
Stainless steel	Ø 1/2"	2190250
③ Pump chain sets, tested. With shackles single or dual row various lengths and load bearing capacities		on demand
④ Double socket, galvanised	BSP 2 F BSP 2" F x BSP 1 1/2" F	2109102 2102210
⑤ Non-return ball valve cast iron	BSP 1 1/2" F BSP 2" F	2212902 2212903
⑥ Double nipple, galvanised	BSP 1 1/2" M BSP 2" M	2009020 2009018
⑦ Shut-off gate valve MS	BSP 1 1/2" F BSP 2" F	2216015 2216020
⑧ 90° angle, galvanised	BSP 1 1/2" F BSP 2" F	2113605 2113606
T-piece for merging the pressure pipe in dual pump stations	BSP 1 1/2" F BSP 2" F	2114302 2114306
⑨ 90° angle, galvanised	BSP 1 1/2" F/M BSP 2" F/M	2111505 2111506
⑩ Transitional screw mounting, galvanised	BSP 1 1/2" M/F	2114305
○ STA-hose screw connection, brass	BSP 1 1/2" M	2001513
STORZ-fixed coupling	C-BSP 1 1/2" M	2010003

Description	Size	Part No.
○ PVC hose, per m	1 1/2" Ø 38 mm	2621500
Plastic spiral hose, per m,	Ø 50 mm	2632050
STORZ-hose-coupling	C-38 Ø C-52 Ø	2013002 2013003
Hose clip	1 1/2" 2"	2304854 2306009
○ Residual current device, 2-pin, Fi 16/0.03 A		1561160
○ Mains-dependent alarm control unit AL3 with connector for 9 V rechargeable battery (see below) for operation independent of mains power supply, with built-in signal transmitter for 230 V, 1-phase mains connection		1586140
9V battery for mains-independent alarm		1952215
○ Float valve switch AS-100, Temperature of conveying medium until 100°C	5 m	1430312
○ Pump control systems and switching gear for mobile and permanent usage, level recording and monitoring devices	See HOMA accessories	



HOMA Pumpenfabrik GmbH
P.O.Box 22 63, D-53814 Neunk.-Seelscheid
Tel. +49 (0) 22 47/702-0, Fax +49 (0) 22 47/702-44
e-mail: info@homa-pumpen.de
www.homapumps.com