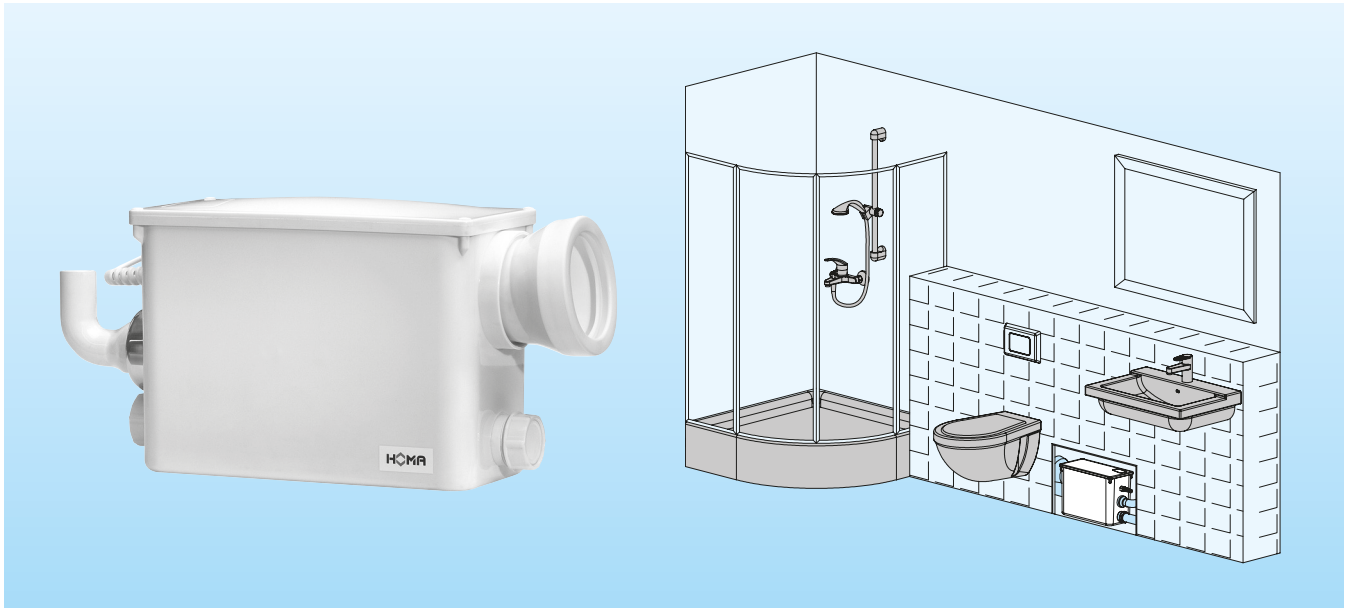


## Compact waste water disposal unit with cutter pump for front-wall installation

### Saniflux V



#### Application

Compact lifting station for front-wall installation. Waste disposal from WC, hand basin and shower below the sewer backflush level. Saniflux V is also ideal for subsequent installation of sanitary facilities. The symmetrical design of the collection tank allows an installation alternatively on right or left side of the WC. The built-in submersible pump with its stainless steel cutter system reduces soft solids to small pieces. A discharge pipe with 1" minimum diameter can be easily installed with minimum construction work.

**DIN EN 12050-3:** Conformity and design approved and controlled by LGA, Certificate No. 0220119.

**Pumped Liquid:** Domestic drainage water, domestic waste water with faeces.

Maximum Liquid Temperature: 35°C, short term up to 60°C.

**Operation:** Intermittent.

#### Design

Compact waste water disposal unit comprising:

**Collection Tank:** Odour-tight plastic collection tank. Maximum utility volume 11.5 litres. Lateral WC-inlet: DN 100 horizontal, inlet height 180 mm. Two inlets DN 40 with integrated non-return valves for shower or hand basin. Discharge 25 mm diameter with integrated non-return valve. Air vent with activated carbon filter.

**Pump:** Single-stage centrifugal pump with horizontal discharge. Open multi-channel impeller with cutting system.

**Motor:** Single-phase electric motor with thermal sensors embedded in the winding. Insulation Class B. Degree of protection IP 68. Stainless steel rotor shaft, pre-lubricated bearings, double mechanical seal.

**Pump Operation Control:** Pneumatic level control.

#### Materials

Collection tank	Composite
Pump housing	Glass fibre reinforced plastic
Impeller	Composite
Motor housing, cutting system, rotor shaft	Stainless steel

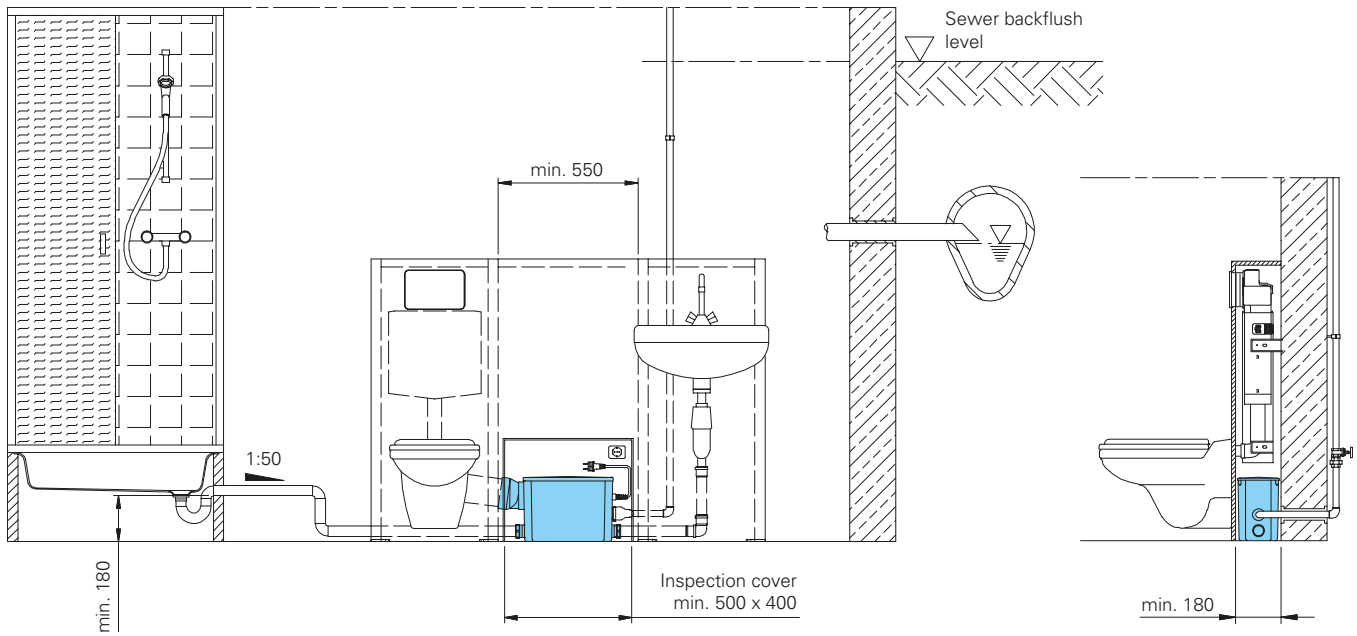
#### Technical Data

Motor input $P_1$	650 W
Motor output $P_2$	300 W
Voltage	230V/1Ph 50Hz
Speed	2900 rpm
Nominal current	2,1 A
Cable	H 03VVf3x0,75
Insulation Class, (complete appliance)	IP 44
Weight	8 kg
Discharge	DN 25

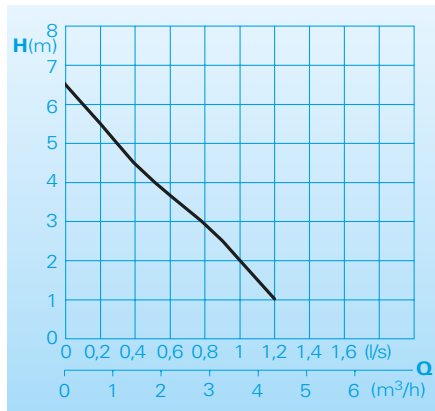
#### Equipment supplied

Tank with pump, cable with plug.

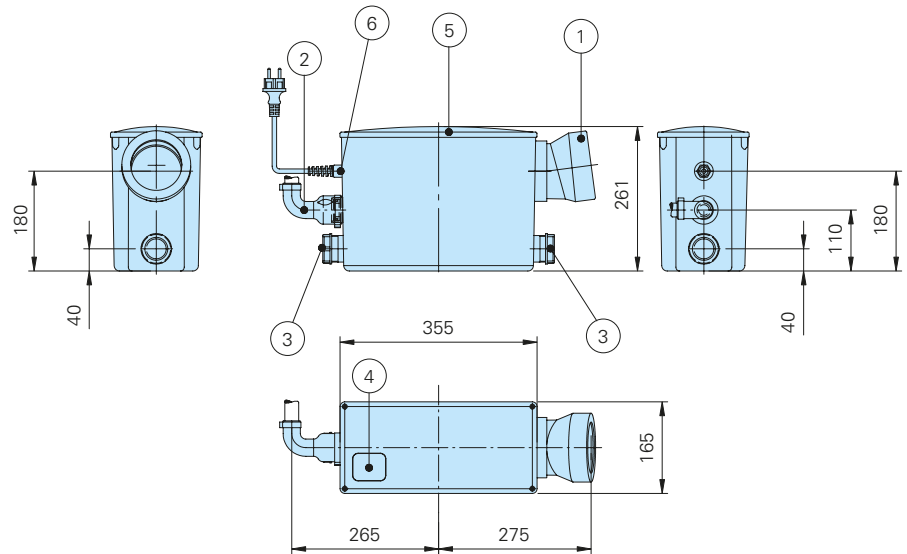
## Installations



## Performance



## Dimensions (all dimensions in mm)



## Accessories

Part Description	Dimension	Part No.
Bronze gate valve	BSP 1" F	2216010
	BSP 1¼" F	2216012
	BSP 1½" F	2216015
90° galvanized elbow	BSP 1" F/M	2111305
	BSP 1¼" F/M	2111405
Galvanized union piece	BSP 1½" F/M	2111505
	BSP 1" M/F	2114303
Hose spigot	BSP 1¼" M/F	2114304
	BSP 1½" M/F	2114305
	1"	2001313
	1¼"	2001413
	1½"	2001513

- ① Connection for universal flush WC, DIN 1387/1388
- ② Connection for discharge 25 mm dia.
- ③ Inlet DN 40 (40 mm dia.)
- ④ Air vent with activated carbon filter
- ⑤ Tank cover
- ⑥ Cable inlet

**HOMA**  
P U M P T E C H N O L O G Y

HOMA Pumpenfabrik GmbH  
P.O.Box 22 63, D-53814 Neunk.-Seelscheid  
Tel. +49 (0) 22 47 /702-0, Fax +49 (0) 22 47 /702 -44  
e-mail: info@homa-pumpen.de  
www.homapumps.com