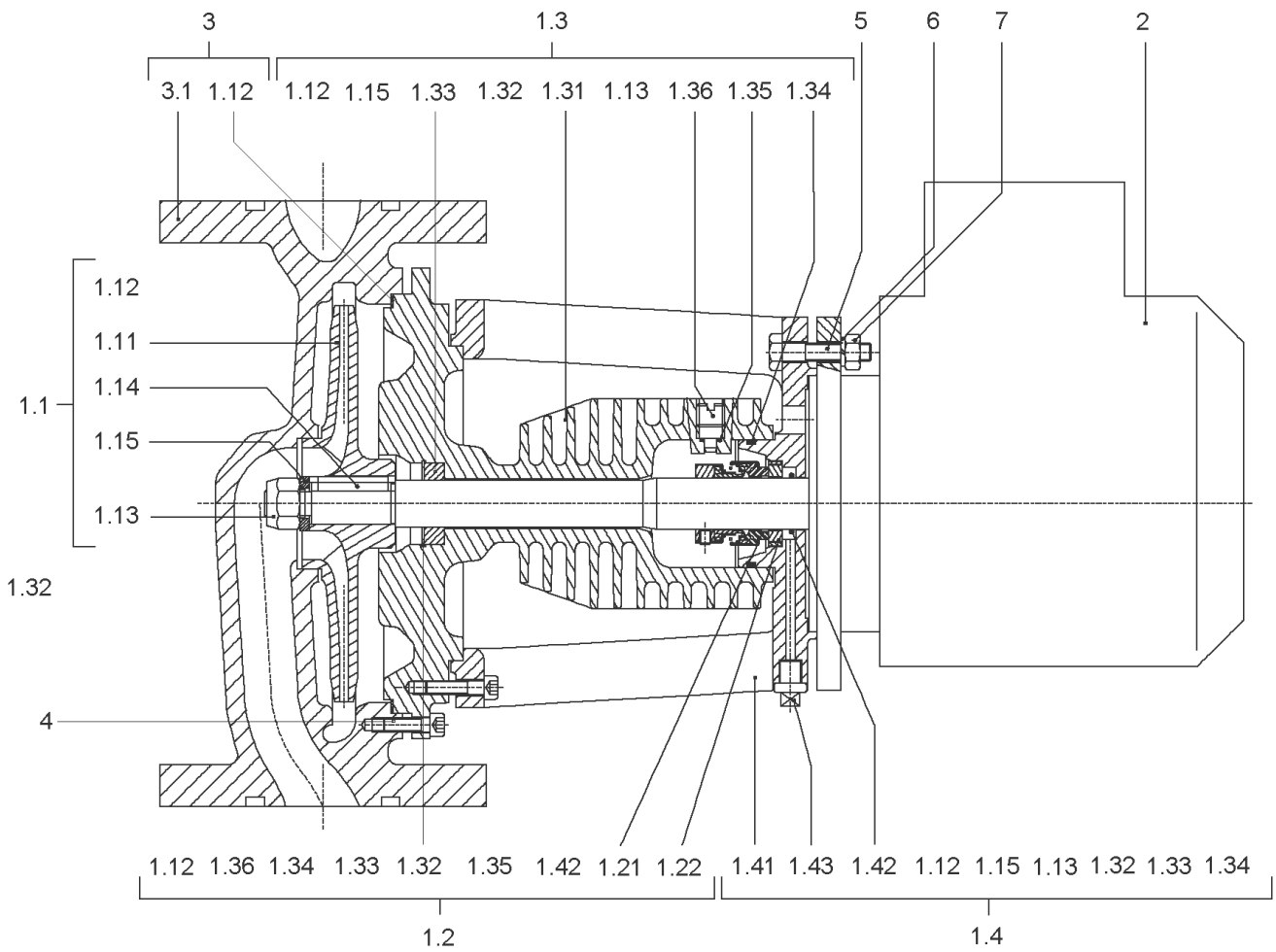


VeroLine-IPH-O

Article no.	Description
4089398	IPH-O20/160-0,37/4
2121295	IPH-O20/160-1,1/2
4089389	IPH-O20/160-1,1/2-IE1
2105775	IPH-O20/160-1,1/2-IE2
4089399	IPH-O32/125-0,18/4
2121296	IPH-O32/125-0,75/2
4089390	IPH-O32/125-0,75/2-IE1
2105776	IPH-O32/125-0,75/2-IE2
4089400	IPH-O32/170-0,37/4
2121297	IPH-O32/170-2,2/2
4089391	IPH-O32/170-2,2/2-IE1
2105777	IPH-O32/170-2,2/2-IE2
2121298	IPH-O65/110-2,2/2
4089392	IPH-O65/110-2,2/2-IE1
2105778	IPH-O65/110-2,2/2-IE2
2121290	IPH-O65/125-1,1/4
4089401	IPH-O65/125-1,1/4-IE1
2105770	IPH-O65/125-1,1/4-IE2
2121299	IPH-O65/125-2,2/2
4089393	IPH-O65/125-2,2/2-IE1
2105779	IPH-O65/125-2,2/2-IE2
2121291	IPH-O65/140-1,1/4
4089402	IPH-O65/140-1,1/4-IE1
2105771	IPH-O65/140-1,1/4-IE2
2121300	IPH-O65/140-4/2
4089394	IPH-O65/140-4/2-IE1
2105780	IPH-O65/140-4/2-IE2
2121292	IPH-O65/160-1,1/4
4089403	IPH-O65/160-1,1/4-IE1
2105772	IPH-O65/160-1,1/4-IE2
2121301	IPH-O65/160-4/2
4089395	IPH-O65/160-4/2-IE1
2105781	IPH-O65/160-4/2-IE2
2121302	IPH-O80/110-2,2/2

VeroLine-IPH-O

Article no.	Description
4089396	IPH-O80/110-2,2/2-IE1
2105782	IPH-O80/110-2,2/2-IE2
2121293	IPH-O80/140-1,1/4
4089404	IPH-O80/140-1,1/4-IE1
2105773	IPH-O80/140-1,1/4-IE2
2121303	IPH-O80/140-4/2
4089397	IPH-O80/140-4/2-IE1
2105783	IPH-O80/140-4/2-IE2
2121294	IPH-O80/160-1,1/4
4089405	IPH-O80/160-1,1/4-IE1
2105774	IPH-O80/160-1,1/4-IE2



IPH-O20/160-0,37/4 (4089398)

Item	Article no.	Description	Quantity
1.1	2051166	IMPELLER IPH-O20/160 KIT	1
1.11		> IMPELLER IPH20/160(159) FGL BALANCED	1
1.12	2162632	> Flat gasket 173X165X1,5 C-4509 VP.	1
1.13	2162638	> Screw M8x13,5 Left 1.1178 VP.	1
1.14	2162639	> Woodruff key 4X6,5X16 112 VP.	1
1.2	4094357	MECHANICAL SEAL IPH-O KIT	1
1.12	2162632	> Flat gasket 173X165X1,5 C-4509 VP.	1
1.21		> ROTAT-RING-22.36.31NBR31.14.54-CYCLAM	1
1.22		> 22.37.6IN64.14INTERB.CYCLAM	1
1.32	2163927	> Circlip D.35X1.5 VP.	1
1.33	2150975	> Retaining ring IPH VP.	1
1.34	2163928	> O-Ring D.50X3 DF801 VP.	1
1.35	2163930	> O-Ring D.4,9X1,9 DF1438 VP.	1
1.36	2163932	> Venting screw IPH VP.	1
1.42	2163933	> Gasket D.20X2 DF801 VP.	1
1.3	2051167	COOLANT HOUSING IPH-O20/160 KIT	1
1.12	2162632	> Flat gasket 173X165X1,5 C-4509 VP.	1
1.13	2162638	> Screw M8x13,5 Left 1.1178 VP.	1
1.31		> COOLING CAS.IPH20/160+65-80/110-125PAINT	1
1.32	2163927	> Circlip D.35X1.5 VP.	1
1.33	2150975	> Retaining ring IPH VP.	1
1.34	2163928	> O-Ring D.50X3 DF801 VP.	1
1.35	2163930	> O-Ring D.4,9X1,9 DF1438 VP.	1
1.36	2163932	> Venting screw IPH VP.	1
1.4	2051168	INTERMEDIATE PIECE IPH-O20/160 KIT	1
1.12	2162632	> Flat gasket 173X165X1,5 C-4509 VP.	1
1.13	2162638	> Screw M8x13,5 Left 1.1178 VP.	1
1.32	2163927	> Circlip D.35X1.5 VP.	1
1.33	2150975	> Retaining ring IPH VP.	1
1.34	2163928	> O-Ring D.50X3 DF801 VP.	1
1.41		> LANTERN P130X110-F196 (IPH20/65/80)PAINT	1
1.42	2163933	> Gasket D.20X2 DF801 VP.	1
1.43	2163934	> Plug 1/8" GF290 FM VP.	1
2	2123550	MOTOR 0,37-4T24B5-71F13-RU-A14X198 VP.	1

IPH-O20/160-0,37/4 (4089398)

Item	Article no.	Description	Quantity
2		SPARE PARTS MOTOR 0,37/4/71 A14X198 IE2	1
3	2051165	PUMP HOUSING IPH-O20/160 KIT	1
1.12	2162632	> Flat gasket 173X165X1,5 C-4509 VP.	1
3.1		> PUMP HOUSING IPH20/160 PAINTED	1
4	2106311	SCREW M8X30 ISO4762 12.9 (4 PIECES)	1
5	2123552	SCREW M8X40 ISO4762 8.8 (4 PIECES)	1
6	2163938	Contact washer 8x16x1,4 Steel VP.	1
7	2112817	NUT M8-8 ISO4032 GEOMET (4 PIECES)	1
	2064420	COUNTER FLANGE IPH-O DN20 KIT	1
		> Flange EN1092-1/11C/DN20 PN25	1
	2163942	> Flat gasket D.50x36x1,5 C-4509 VP.	1

Motor-Typenschild/ Motor type plate/ Plaque identité moteur

Bei Ersatzteilbestellung Motor-Nummer angeben!

Indicate motor number for order of spare parts!

Pour une commande de pièces détachées, donner le numéro du moteur!

LS

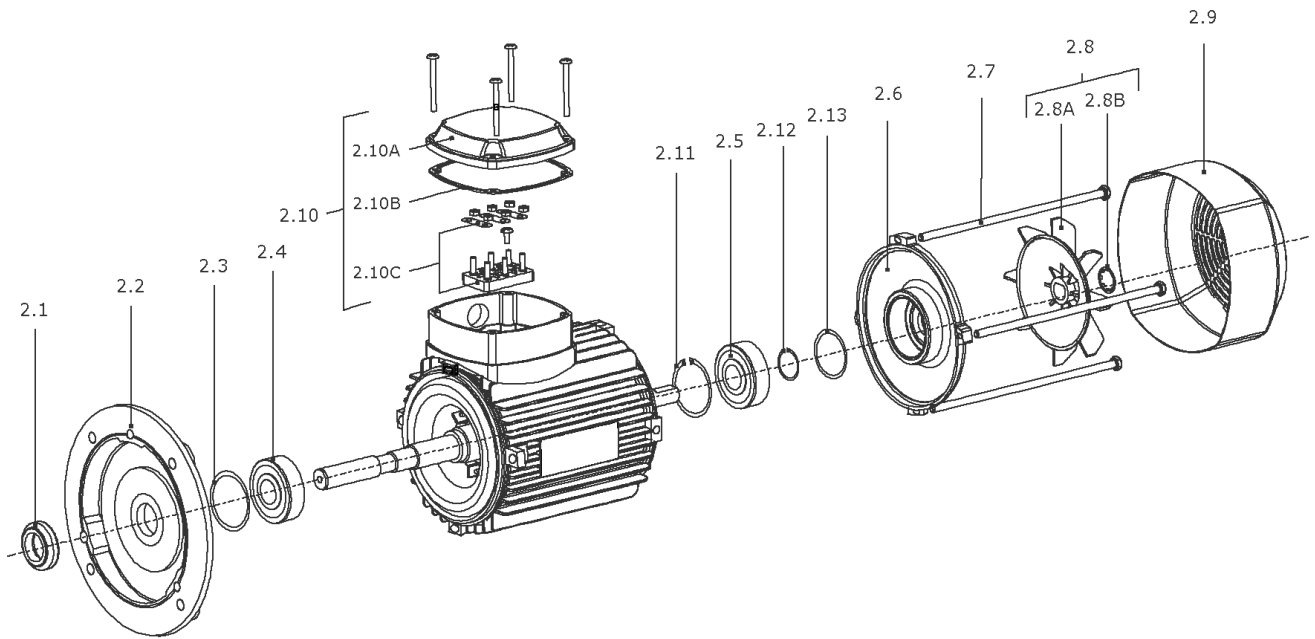
		° 3~LSES80L T							
		N° 216784 XD 001		IE2					
IP 55 1K08 cl.F 40° C SS1		11kg		80,6					
○	V	Hz	min-1	kW	cosP	A	V	Λ	○
Δ	230	50	2870	1.10	0.85	3.00			
人	400	50	2870	1.10	0.85	2.30			

ATB

3-Mot	LF 80/2Z-11 IE2	/0609				
S1	IMB5	2280776	-0001 11767A			
IP 55	Th.Cl. 155(F)					
○	Schwinggroessenstufe A		○			
Wilo-Nr. 2118936						
kW	V	Hz	A	cos φ	1/min	
1,10	YΔ 400/230	50	2,25/3,90	0.86	2880	IE2-79,6
1,10	YΔ 460/265	60	1,95/3,40	0.85	3490	IE2-82,5
IE75//50		kg	EN 60034		IE 2	

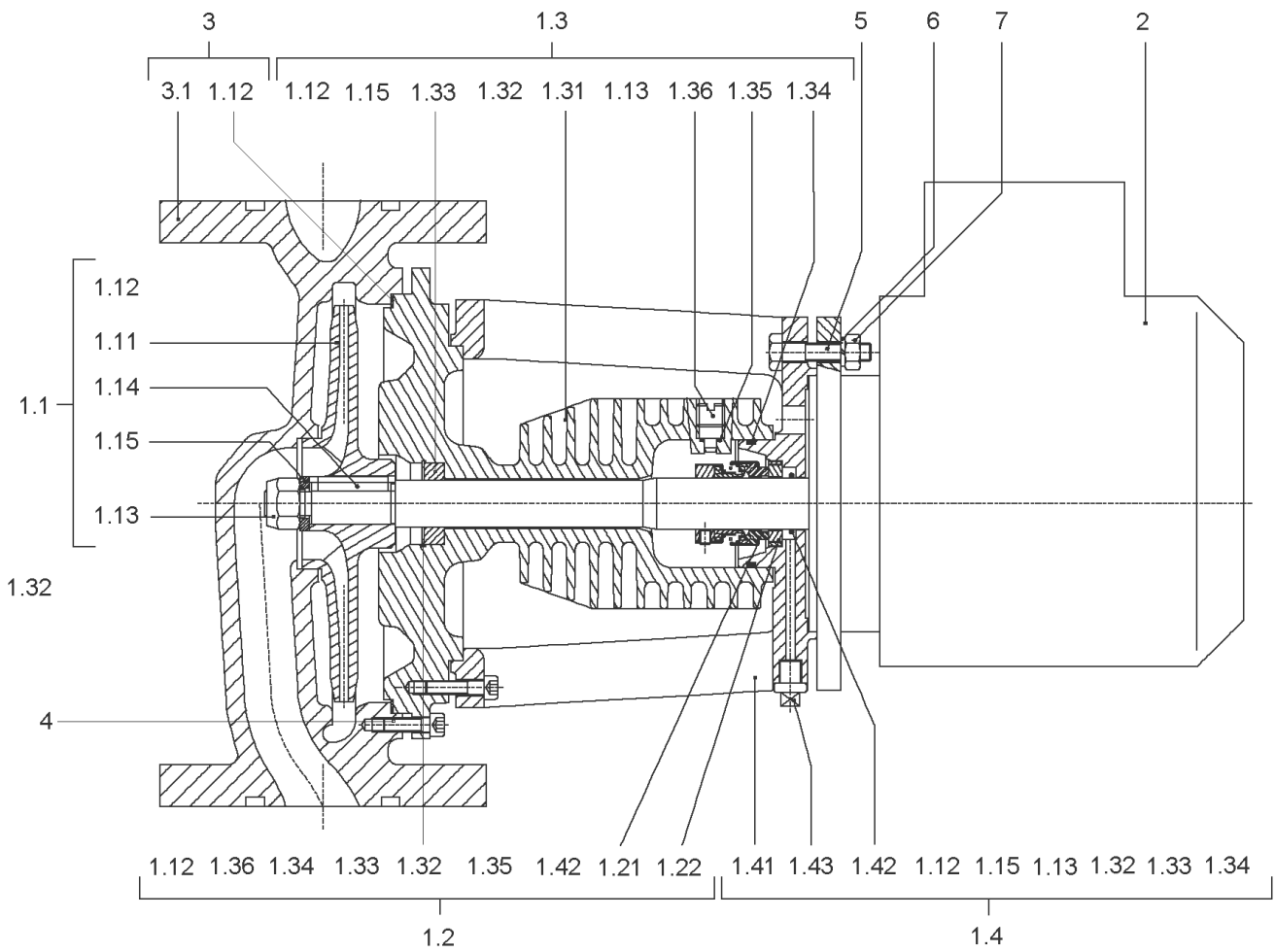
SPARE PARTS MOTOR 0,37/4/71 A14X198 IE2

Item	Article no.	Description	Quantity
LS		MOTOR 0,37-4T24B5-71F13-RU-A14X198-LS	1
		> END SHIELD BG71 D.E.LS(IPH-W/-O)VP.	1
Note: no longer available / nicht mehr lieferbar / ne plus disponible			
		> END SHIELD BG71 N.D.E.LS(IPH-W/-O)VP.	1
Note: no longer available / nicht mehr lieferbar / ne plus disponible			
	2046959	> BALL BEARING 6202/2RS-C3 (HT) VP.	1
Note: Please give the data from type plate of the motor			
	2046237	> BALL BEARING 6201/2RS-C3 (HT) VP.	1
Note: Please give the data from type plate of the motor			
	2100543	> TERMINAL BOX BG71 LS(IPH-W/-O)VP.	1
Note: Please give the data from type plate of the motor			
	2107594	> TERMINAL BOARD BG71 LS(IPH-W/-O)VP.	1
Note: Please give the data from type plate of the motor			
	2107558	> FAN WHEEL BG71 LS(IPH-W/-O)VP.	1
Note: Please give the data from type plate of the motor			
	2100544	> FAN HOOD BG71 LS(IPH-W/-O)VP.	1
Note: Please give the data from type plate of the motor			
ATB		Motor 0,37-4T24B5-71F13RU-A14x198-IE2ATB	1



Motor 0,37-4T24B5-71F13RU-A14x198-IE2ATB

Item	Article no.	Description	Quantity
2.1	2112921	JOINT RING CIRCULAR 25X35X4 ATB VP.	1
2.2	2164165	End Shield BG71 D.E.ATB VP.	1
2.3	2090403	SHIM BALL BEARING BG71 ATB VP.	1
2.4	121083998	BALL BEARING 6205/2Z-C3 (HT) VP.	1
2.5	2046959	BALL BEARING 6202/2RS-C3 (HT) VP.	1
2.6	2123944	END SHIELD BG71 N.D.E.ATB VP.	1
2.7	2144075	Screw end shield M5X128 ATB(4 Pieces)	1
2.8	122093297	FAN WHEEL BG71 ATB KIT	1
2.8A		> FAN WHEEL BG71/80 106152 ATB	1
2.8B	2123923	> CORRUGATED SLEEVE RING BG71 ATB VP.	1
Note: Please give the data from type plate of the motor			
2.9	2161086	Fan housing BG71/80 ATB RAL7001 VP.	1
2.10	2123996	TERMINAL BOX CPL.BG71-80 ATB KIT	1
2.10A	2114271	> Term.box cover+gasket BG71/80 ATB VP.	1
Note: Please give the data from type plate of the motor			
2.10C	2096208	> TERMINAL BOARD BG71/80 ATB VP.	1
Note: Please give the data from type plate of the motor			
2.11	2046120	CIRCLIP 40X1,75 DIN472 A2	1
2.12	2123932	CIRCLIP 17X1 DIN471 A2 1.4122 VP.	1
2.13	2096271	SPACER DISC BG71/80 ATB VP.	1



IPH-O20/160-1,1/2-IE1 (4089389)

Item	Article no.	Description	Quantity
1.1	2051166	IMPELLER IPH-O20/160 KIT	1
1.11		> IMPELLER IPH20/160(159) FGL BALANCED	1
1.12	2162632	> Flat gasket 173X165X1,5 C-4509 VP.	1
1.13	2162638	> Screw M8x13,5 Left 1.1178 VP.	1
1.14	2162639	> Woodruff key 4X6,5X16 112 VP.	1
1.2	4094357	MECHANICAL SEAL IPH-O KIT	1
1.12	2162632	> Flat gasket 173X165X1,5 C-4509 VP.	1
1.21		> ROTAT-RING-22.36.31NBR31.14.54-CYCLAM	1
1.22		> 22.37.6IN64.14INTERB.CYCLAM	1
1.32	2163927	> Circlip D.35X1.5 VP.	1
1.33	2150975	> Retaining ring IPH VP.	1
1.34	2163928	> O-Ring D.50X3 DF801 VP.	1
1.35	2163930	> O-Ring D.4,9X1,9 DF1438 VP.	1
1.36	2163932	> Venting screw IPH VP.	1
1.42	2163933	> Gasket D.20X2 DF801 VP.	1
1.3	2051167	COOLANT HOUSING IPH-O20/160 KIT	1
1.12	2162632	> Flat gasket 173X165X1,5 C-4509 VP.	1
1.13	2162638	> Screw M8x13,5 Left 1.1178 VP.	1
1.31		> COOLING CAS.IPH20/160+65-80/110-125PAINT	1
1.32	2163927	> Circlip D.35X1.5 VP.	1
1.33	2150975	> Retaining ring IPH VP.	1
1.34	2163928	> O-Ring D.50X3 DF801 VP.	1
1.35	2163930	> O-Ring D.4,9X1,9 DF1438 VP.	1
1.36	2163932	> Venting screw IPH VP.	1
1.4	2051168	INTERMEDIATE PIECE IPH-O20/160 KIT	1
1.12	2162632	> Flat gasket 173X165X1,5 C-4509 VP.	1
1.13	2162638	> Screw M8x13,5 Left 1.1178 VP.	1
1.32	2163927	> Circlip D.35X1.5 VP.	1
1.33	2150975	> Retaining ring IPH VP.	1
1.34	2163928	> O-Ring D.50X3 DF801 VP.	1
1.41		> LANTERN P130X110-F196 (IPH20/65/80)PAINT	1
1.42	2163933	> Gasket D.20X2 DF801 VP.	1
1.43	2163934	> Plug 1/8" GF290 FM VP.	1
2	2174742	Motor 1,1-2T24B5-80F13RU-A14x198-IE3 VP.	1

IPH-O20/160-1,1/2-IE1 (4089389)

Item	Article no.	Description	Quantity
2		SPARE PARTS MOTOR BG80 LS IE1	1
		> END SHIELD BG80 D.E.LS(IPH-W/-O)VP.	1
Note: no longer available / nicht mehr lieferbar / ne plus disponible			
		> END SHIELD BG80-90 N.D.E.LS(IPH-W/-O)VP.	1
Note: no longer available / nicht mehr lieferbar / ne plus disponible			
	121084499	> BALL BEARING 6204/2Z-C3 (HT) VP.	1
Note: Please give the data from type plate of the motor			
	121001494	> BALL BEARING 6203/2Z-C3 (HT) VP.	1
Note: Please give the data from type plate of the motor			
	2107568	> TERMINAL BOX BG80-112 LS(IPH-W/-O)VP.	1
Note: Please give the data from type plate of the motor			
	2107596	> TERMINAL BOARD BG80-112 LS(IPH-W/-O)VP.	1
Note: Please give the data from type plate of the motor			
	2107564	> FAN WHEEL BG80 LS(IPH-W/-O)VP.	1
Note: Please give the data from type plate of the motor			
	2107566	> FAN HOOD BG80 LS(IPH-W/-O)VP.	1
Note: Please give the data from type plate of the motor			
2		Spare parts motor 1,1/2/80 IE2	1
2		Spare parts motor: on request for IE3	1
3	2051165	PUMP HOUSING IPH-O20/160 KIT	1
1.12	2162632	> Flat gasket 173X165X1,5 C-4509 VP.	1
3.1		> PUMP HOUSING IPH20/160 PAINTED	1
4	2106311	SCREW M8X30 ISO4762 12.9 (4 PIECES)	1
5	2123552	SCREW M8X40 ISO4762 8.8 (4 PIECES)	1
6	2163938	Contact washer 8x16x1,4 Steel VP.	1
7	2112817	NUT M8-8 ISO4032 GEOMET (4 PIECES)	1
	2064420	COUNTER FLANGE IPH-O DN20 KIT	1
		> Flange EN1092-1/11C/DN20 PN25	1
	2163942	> Flat gasket D.50x36x1,5 C-4509 VP.	1

Motor-Typenschild/ Motor type plate/ Plaque identité moteur

Bei Ersatzteilbestellung Motor-Nummer angeben!

Indicate motor number for order of spare parts!

Pour une commande de pièces détachées, donner le numéro du moteur!

LS

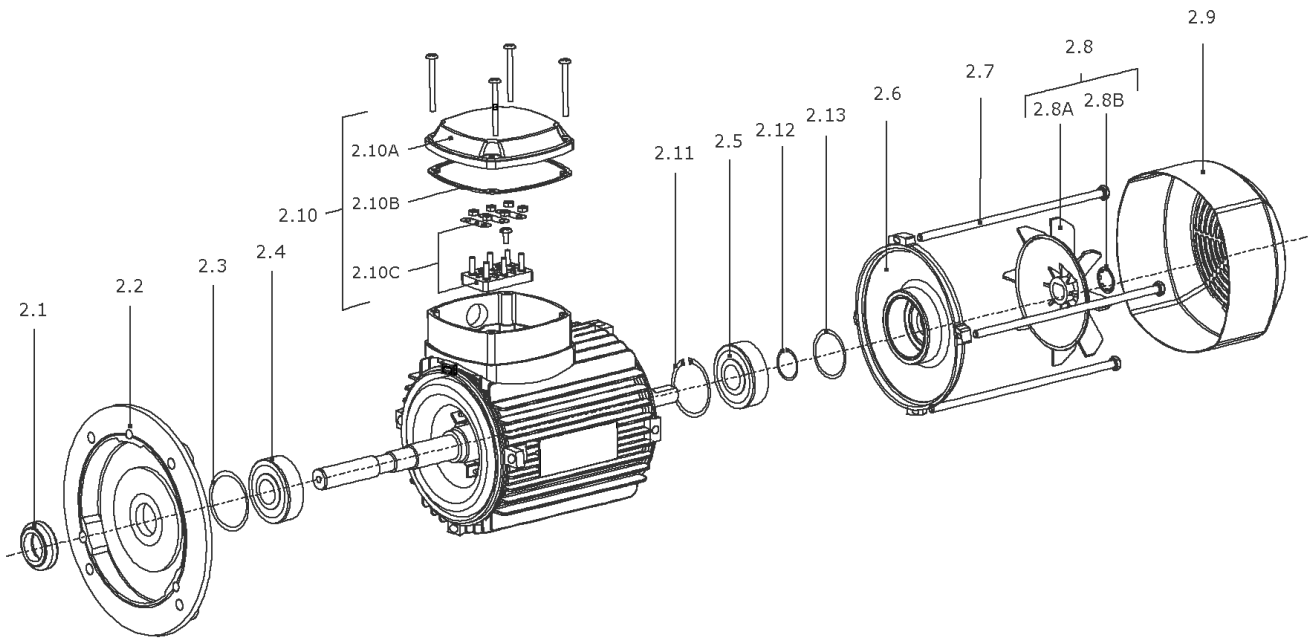
		3~LSES80L T							
SOMER		N° 216784 XD 001		IE2					
IP 55 1K08 cl.F 40° C SS1		11kg		80,6					
	V	Hz	min-1	kW	cosP	A	V	A	
Δ	230	50	2870	1.10	0.85	3.00			
λ	400	50	2870	1.10	0.85	2.30			

ATB

3-Mot	LF 80/2Z-11 IE2	/0609				
S1	IMB5	2280776	-0001 11767A			
IP 55	Th.Cl. 155(F)					
	Schwinggroessenstufe A					
Wilo-Nr. 2118936						
kW	V	Hz	A	cos Φ	1/min	
1,10	Δ 400/230	50	2,25/3,90	0.86	2880	IE2-79,6
1,10	λ 460/265	60	1,95/3,40	0.85	3490	IE2-82,5
IE75//50		kg	EN 60034		IE 2	

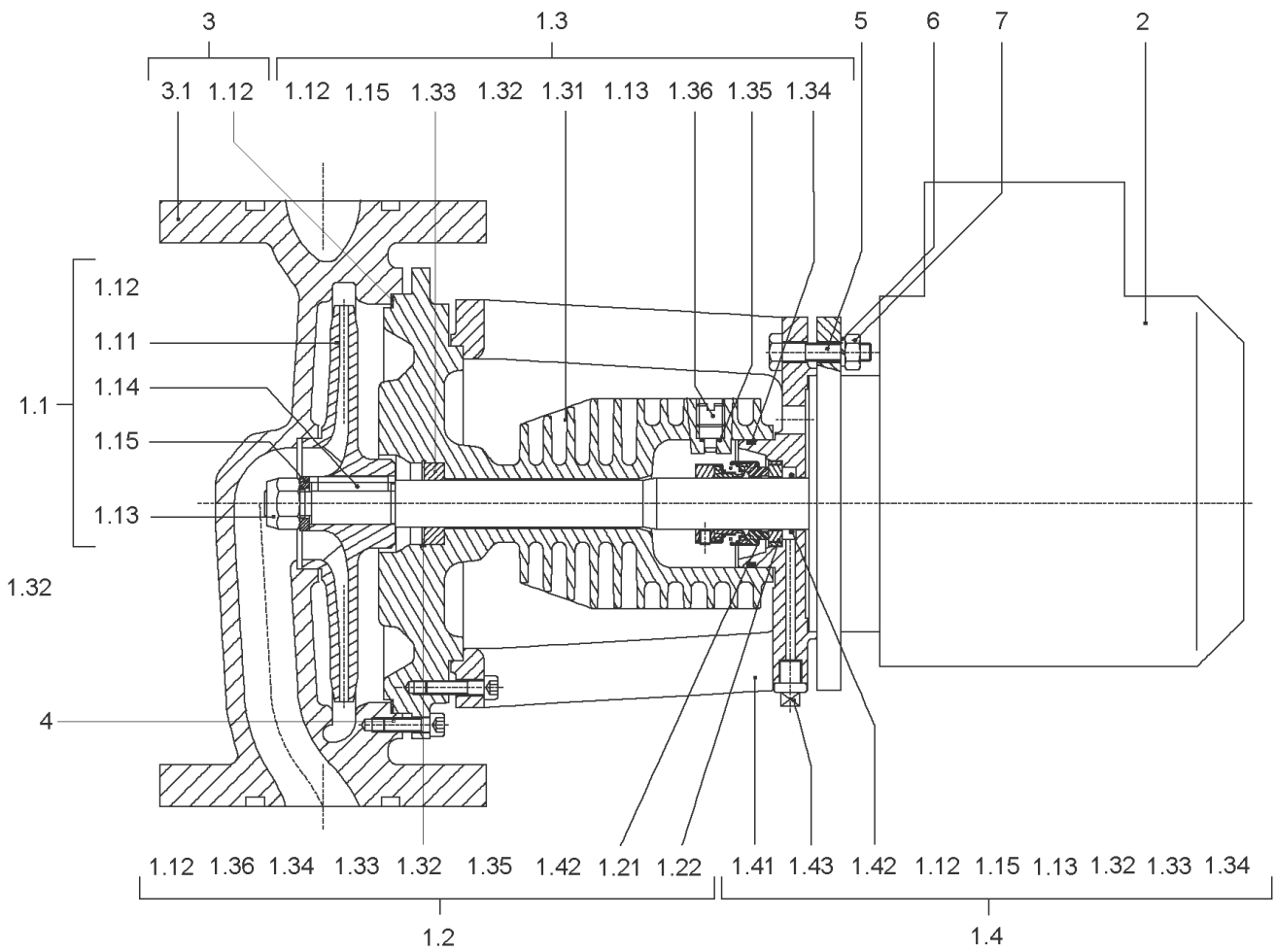
Spare parts motor 1,1/2/80 IE2

Item	Description	Quantity
LS	MOTOR 1,1-2T24B5-80F13-RU-A14X198-IE2-LS	1
Note: spare parts on request /Ersatzteile auf Anfrage /pieces de rechange sur demande		
ATB	Motor 1,1-2T24B5-80F13RU-A14x198-IE2ATB	1



Motor 1,1-2T24B5-80F13RU-A14x198-IE2ATB

Item	Article no.	Description	Quantity
2.1	2112921	JOINT RING CIRCULAR 25X35X4 ATB VP.	1
2.2	2164167	End shield BG80 D.E.ATB VP.	1
2.3	2096254	SHIM BALL BEARING BG80 ATB VP.	1
2.4	121083998	BALL BEARING 6205/2Z-C3 (HT) VP.	1
2.5	121084499	BALL BEARING 6204/2Z-C3 (HT) VP.	1
2.6	2046185	END SHIELD BG80 N.D.E.ATB VP.	1
2.7	2164174	Screw end shield M5X142 ATB(4 Pieces)	1
2.8	2094413	FAN WHEEL BG80 ATB KIT	1
2.8A		> FAN WHEEL BG80 383003 ATB	1
2.8B	2123666	> CORRUGATED SLEEVE RING BG80 ATB VP.	1
Note: Please give the data from type plate of the motor			
2.9	2164194	Fan hood BG80 RAL7001 ATB VP.	1
2.10	2123996	TERMINAL BOX CPL.BG71-80 ATB KIT	1
2.10A	2114271	> Term.box cover+gasket BG71/80 ATB VP.	1
Note: Please give the data from type plate of the motor			
2.10C	2096208	> TERMINAL BOARD BG71/80 ATB VP.	1
Note: Please give the data from type plate of the motor			
2.11	2046384	CIRCLIPS 47X1,75 DIN472 A2 VP.	1
2.12	2125473	CIRCLIPS 20X1,2 DIN471 FST VP.	1
2.13	2096271	SPACER DISC BG71/80 ATB VP.	1



IPH-O32/125-0,18/4 (4089399)

Item	Article no.	Description	Quantity
1.1	2051162	IMPELLER IPH-O32/125 KIT	1
1.11		> IMPELLER IPH32/125(125) FGL BALANCED	1
1.12	2162633	> Flat gasket 135X126X1,5 C-4509 VP.	1
1.13	2162642	> Nut M8X1,25 ISO7042 VP.	1
1.14	2162639	> Woodruff key 4X6,5X16 112 VP.	1
1.2	4094356	MECHANICAL SEAL IPH-O-32/125 KIT	1
1.12	2162633	> Flat gasket 135X126X1,5 C-4509 VP.	1
1.21		> ROTAT-RING-22.36.31NBR31.14.54-CYCLAM	1
1.22		> 22.37.6IN64.14INTERB.CYCLAM	1
1.32	2163927	> Circlip D.35X1.5 VP.	1
1.33	2150975	> Retaining ring IPH VP.	1
1.34	2163928	> O-Ring D.50X3 DF801 VP.	1
1.35	2163930	> O-Ring D.4,9X1,9 DF1438 VP.	1
1.36	2163932	> Venting screw IPH VP.	1
1.42	2163933	> Gasket D.20X2 DF801 VP.	1
1.3	2051163	COOLANT HOUSING IPH-O32/125 KIT	1
1.12	2162633	> Flat gasket 135X126X1,5 C-4509 VP.	1
1.13	2162642	> Nut M8X1,25 ISO7042 VP.	1
1.31		> COOLING CASASING IPH32/125 PAINTED	1
1.32	2163927	> Circlip D.35X1.5 VP.	1
1.33	2150975	> Retaining ring IPH VP.	1
1.34	2163928	> O-Ring D.50X3 DF801 VP.	1
1.35	2163930	> O-Ring D.4,9X1,9 DF1438 VP.	1
1.36	2163932	> Venting screw IPH VP.	1
1.4	2051164	INTERMEDIATE PIECE IPH-O32/125 KIT	1
1.12	2162633	> Flat gasket 135X126X1,5 C-4509 VP.	1
1.13	2162642	> Nut M8X1,25 ISO7042 VP.	1
1.32	2163927	> Circlip D.35X1.5 VP.	1
1.33	2150975	> Retaining ring IPH VP.	1
1.34	2163928	> O-Ring D.50X3 DF801 VP.	1
1.41		> LANTERN P130X110-F158 (IPH32) PAINTED	1
1.42	2163933	> Gasket D.20X2 DF801 VP.	1
1.43	2163934	> Plug 1/8" GF290 FM VP.	1
2	2123549	MOTOR 0,18-4T24B5-71F13-RU-A14X200 VP.	1

IPH-O32/125-0,18/4 (4089399)

Item	Article no.	Description	Quantity
2		SPARE PARTS MOTOR 0,18/4/71 A14X200 IE2	1
3	2051161	PUMP HOUSING IPH-O32/125 KIT	1
1.12	2162633	> Flat gasket 135X126X1,5 C-4509 VP.	1
3.1		> PUMP HOUSING IPH32/125 PAINTED	1
4	2106310	SCREW M6x25 ISO4762 12.9 (4 PIECES)	1
5	2123552	SCREW M8X40 ISO4762 8.8 (4 PIECES)	1
6	2163938	Contact washer 8x16x1,4 Steel VP.	1
7	2112817	NUT M8-8 ISO4032 GEOMET (4 PIECES)	1
	2064422	COUNTER FLANGE IPH-O DN32 KIT	1
		> Flange EN1092-1/11C/DN32 PN25	1
	2163943	> Flat gasket D.65x51x1,5 C-4509 VP.	1

Motor-Typenschild/ Motor type plate/ Plaque identité moteur

Bei Ersatzteilbestellung Motor-Nummer angeben!

Indicate motor number for order of spare parts!

Pour une commande de pièces détachées, donner le numéro du moteur!

LS

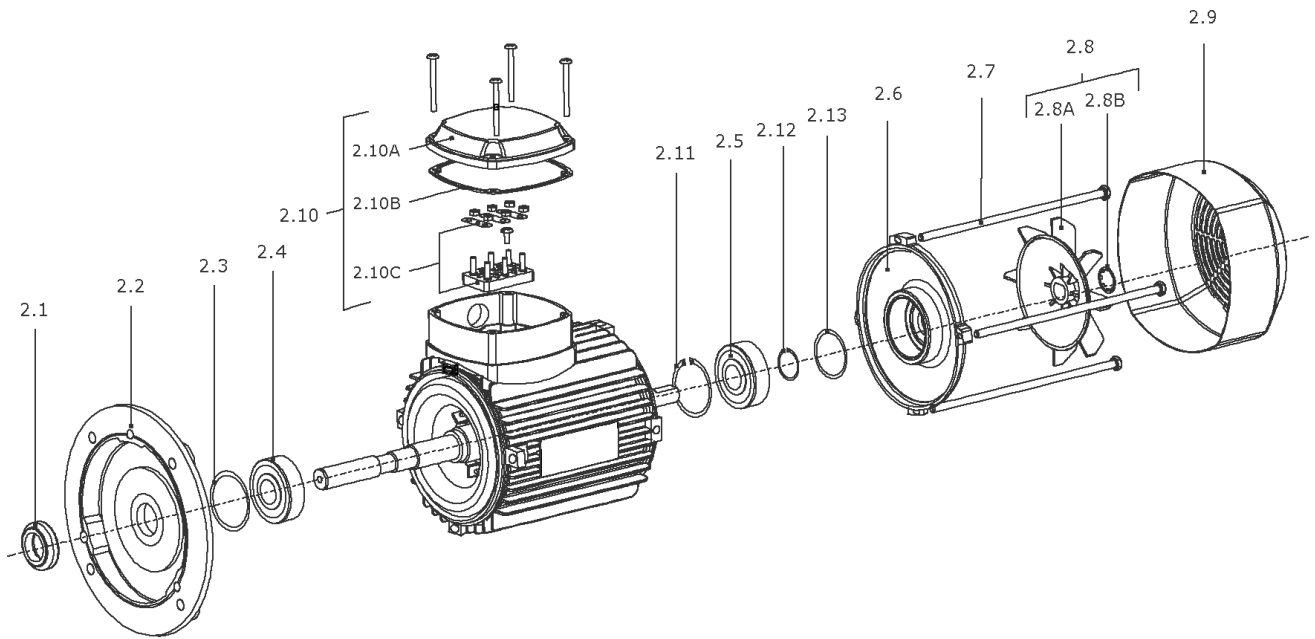
		° 3~LSES80L T							
		N° 216784 XD 001		IE2					
IP 55 1K08 cl.F 40° C SS1		11kg		80,6					
○	V	Hz	min-1	kW	cosP	A	V	Λ	○
Δ	230	50	2870	1.10	0.85	3.00			
人	400	50	2870	1.10	0.85	2.30			

ATB

3-Mot	LF 80/2Z-11 IE2	/0609				
S1	IMB5	2280776	-0001 11767A			
IP 55	Th.Cl. 155(F)					
○	Schwinggroessenstufe A			○		
Wilo-Nr. 2118936						
kW	V	Hz	A	cos φ	1/min	
1,10	YΔ 400/230	50	2,25/3,90	0.86	2880	IE2-79,6
1,10	YΔ 460/265	60	1,95/3,40	0.85	3490	IE2-82,5
IE75//50		kg		EN 60034		IE 2

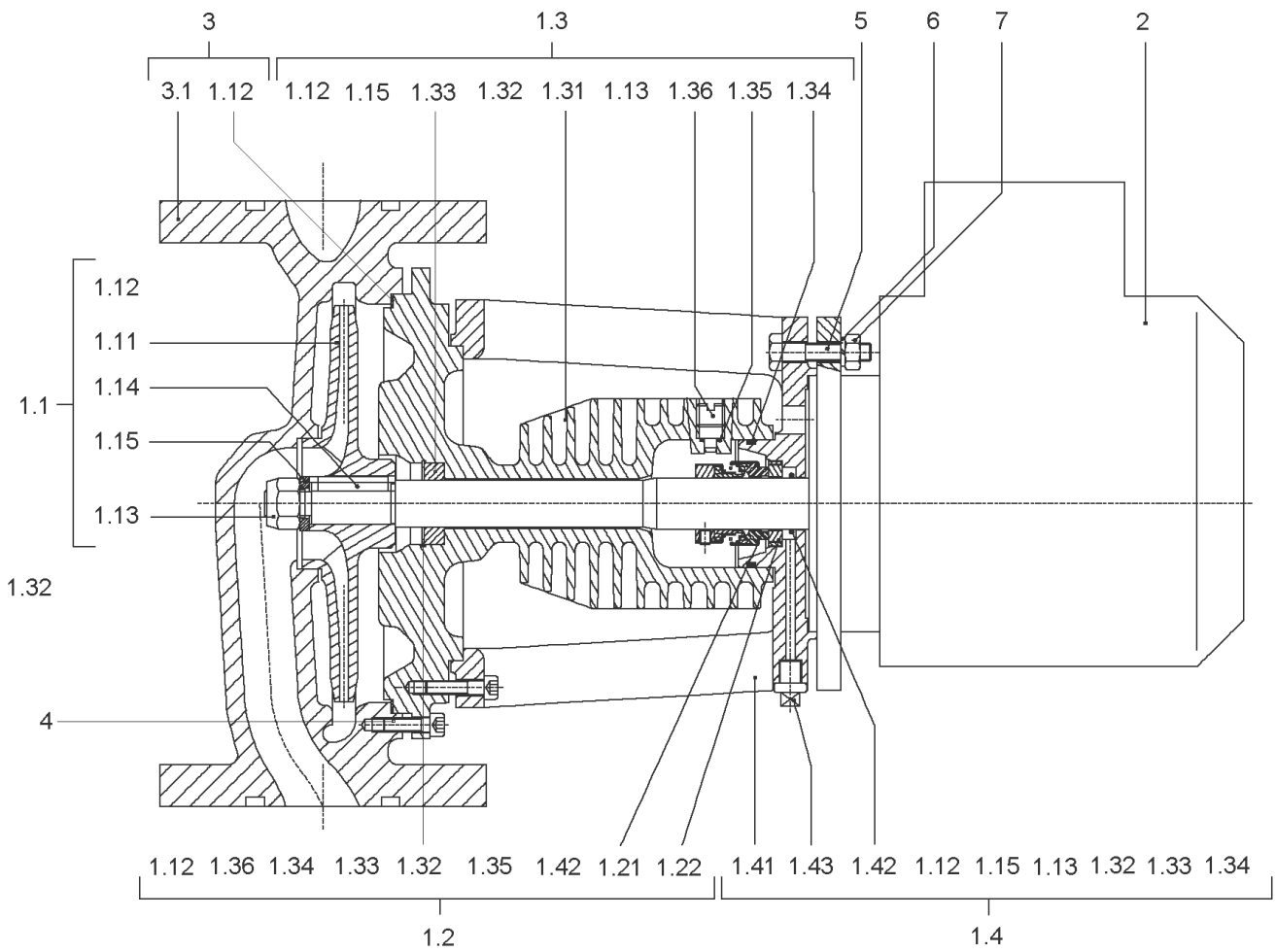
SPARE PARTS MOTOR 0,18/4/71 A14X200 IE2

Item	Article no.	Description	Quantity
LS		MOTOR 0,18-4T24B5-71F13-RU-A14X200-LS	1
		> END SHIELD BG71 D.E.LS(IPH-W/-O)VP.	1
Note: no longer available / nicht mehr lieferbar / ne plus disponible			
		> END SHIELD BG71 N.D.E.LS(IPH-W/-O)VP.	1
Note: no longer available / nicht mehr lieferbar / ne plus disponible			
	2046959	> BALL BEARING 6202/2RS-C3 (HT) VP.	1
Note: Please give the data from type plate of the motor			
	2046237	> BALL BEARING 6201/2RS-C3 (HT) VP.	1
Note: Please give the data from type plate of the motor			
	2100543	> TERMINAL BOX BG71 LS(IPH-W/-O)VP.	1
Note: Please give the data from type plate of the motor			
	2107594	> TERMINAL BOARD BG71 LS(IPH-W/-O)VP.	1
Note: Please give the data from type plate of the motor			
	2107558	> FAN WHEEL BG71 LS(IPH-W/-O)VP.	1
Note: Please give the data from type plate of the motor			
	2100544	> FAN HOOD BG71 LS(IPH-W/-O)VP.	1
Note: Please give the data from type plate of the motor			
ATB		Motor 0,18-4T24B5-71F13RU-A14x200-IE2ATB	1



Motor 0,18-4T24B5-71F13RU-A14x200-IE2ATB

Item	Article no.	Description	Quantity
2.1	2112921	JOINT RING CIRCULAR 25X35X4 ATB VP.	1
2.2	2164165	End Shield BG71 D.E.ATB VP.	1
2.3	2090403	SHIM BALL BEARING BG71 ATB VP.	1
2.4	121083998	BALL BEARING 6205/2Z-C3 (HT) VP.	1
2.5	2046959	BALL BEARING 6202/2RS-C3 (HT) VP.	1
2.6	2123944	END SHIELD BG71 N.D.E.ATB VP.	1
2.7	2144075	Screw end shield M5X128 ATB(4 Pieces)	1
2.8	122093297	FAN WHEEL BG71 ATB KIT	1
2.8A		> FAN WHEEL BG71/80 106152 ATB	1
2.8B	2123923	> CORRUGATED SLEEVE RING BG71 ATB VP.	1
Note: Please give the data from type plate of the motor			
2.9	2161086	Fan housing BG71/80 ATB RAL7001 VP.	1
2.10	2123996	TERMINAL BOX CPL.BG71-80 ATB KIT	1
2.10A	2114271	> Term.box cover+gasket BG71/80 ATB VP.	1
Note: Please give the data from type plate of the motor			
2.10C	2096208	> TERMINAL BOARD BG71/80 ATB VP.	1
Note: Please give the data from type plate of the motor			
2.11	2046120	CIRCLIP 40X1,75 DIN472 A2	1
2.12	2123932	CIRCLIP 17X1 DIN471 A2 1.4122 VP.	1
2.13	2096271	SPACER DISC BG71/80 ATB VP.	1



IPH-O32/125-0,75/2-IE1 (4089390)

Item	Article no.	Description	Quantity
1.1	2051162	IMPELLER IPH-O32/125 KIT	1
1.11		> IMPELLER IPH32/125(125) FGL BALANCED	1
1.12	2162633	> Flat gasket 135X126X1,5 C-4509 VP.	1
1.13	2162642	> Nut M8X1,25 ISO7042 VP.	1
1.14	2162639	> Woodruff key 4X6,5X16 112 VP.	1
1.2	4094356	MECHANICAL SEAL IPH-O-32/125 KIT	1
1.12	2162633	> Flat gasket 135X126X1,5 C-4509 VP.	1
1.21		> ROTAT-RING-22.36.31NBR31.14.54-CYCLAM	1
1.22		> 22.37.6IN64.14INTERB.CYCLAM	1
1.32	2163927	> Circlip D.35X1.5 VP.	1
1.33	2150975	> Retaining ring IPH VP.	1
1.34	2163928	> O-Ring D.50X3 DF801 VP.	1
1.35	2163930	> O-Ring D.4,9X1,9 DF1438 VP.	1
1.36	2163932	> Venting screw IPH VP.	1
1.42	2163933	> Gasket D.20X2 DF801 VP.	1
1.3	2051163	COOLANT HOUSING IPH-O32/125 KIT	1
1.12	2162633	> Flat gasket 135X126X1,5 C-4509 VP.	1
1.13	2162642	> Nut M8X1,25 ISO7042 VP.	1
1.31		> COOLING CASASING IPH32/125 PAINTED	1
1.32	2163927	> Circlip D.35X1.5 VP.	1
1.33	2150975	> Retaining ring IPH VP.	1
1.34	2163928	> O-Ring D.50X3 DF801 VP.	1
1.35	2163930	> O-Ring D.4,9X1,9 DF1438 VP.	1
1.36	2163932	> Venting screw IPH VP.	1
1.4	2051164	INTERMEDIATE PIECE IPH-O32/125 KIT	1
1.12	2162633	> Flat gasket 135X126X1,5 C-4509 VP.	1
1.13	2162642	> Nut M8X1,25 ISO7042 VP.	1
1.32	2163927	> Circlip D.35X1.5 VP.	1
1.33	2150975	> Retaining ring IPH VP.	1
1.34	2163928	> O-Ring D.50X3 DF801 VP.	1
1.41		> LANTERN P130X110-F158 (IPH32) PAINTED	1
1.42	2163933	> Gasket D.20X2 DF801 VP.	1
1.43	2163934	> Plug 1/8" GF290 FM VP.	1
2	2168865	Motor 0,75-2T24B5-80F13RU-A14X200-IE3 VP	1

IPH-O32/125-0,75/2-IE1 (4089390)

Item	Article no.	Description	Quantity
2		SPARE PARTS MOTOR BG80 LS IE1	1
		> END SHIELD BG80 D.E.LS(IPH-W/-O)VP.	1
Note: no longer available / nicht mehr lieferbar / ne plus disponible			
		> END SHIELD BG80-90 N.D.E.LS(IPH-W/-O)VP.	1
Note: no longer available / nicht mehr lieferbar / ne plus disponible			
	121084499	> BALL BEARING 6204/2Z-C3 (HT) VP.	1
Note: Please give the data from type plate of the motor			
	121001494	> BALL BEARING 6203/2Z-C3 (HT) VP.	1
Note: Please give the data from type plate of the motor			
	2107568	> TERMINAL BOX BG80-112 LS(IPH-W/-O)VP.	1
Note: Please give the data from type plate of the motor			
	2107596	> TERMINAL BOARD BG80-112 LS(IPH-W/-O)VP.	1
Note: Please give the data from type plate of the motor			
	2107564	> FAN WHEEL BG80 LS(IPH-W/-O)VP.	1
Note: Please give the data from type plate of the motor			
	2107566	> FAN HOOD BG80 LS(IPH-W/-O)VP.	1
Note: Please give the data from type plate of the motor			
2		Spare parts motor 0,75/2/80 IE2	1
2		Spare parts motor: on request for IE3	1
3	2051161	PUMP HOUSING IPH-O32/125 KIT	1
1.12	2162633	> Flat gasket 135X126X1,5 C-4509 VP.	1
3.1		> PUMP HOUSING IPH32/125 PAINTED	1
4	2106310	SCREW M6x25 ISO4762 12.9 (4 PIECES)	1
5	2123552	SCREW M8X40 ISO4762 8.8 (4 PIECES)	1
6	2163938	Contact washer 8x16x1,4 Steel VP.	1
7	2112817	NUT M8-8 ISO4032 GEOMET (4 PIECES)	1
	2064422	COUNTER FLANGE IPH-O DN32 KIT	1
		> Flange EN1092-1/11C/DN32 PN25	1
	2163943	> Flat gasket D.65x51x1,5 C-4509 VP.	1

Motor-Typenschild/ Motor type plate/ Plaque identité moteur

Bei Ersatzteilbestellung Motor-Nummer angeben!

Indicate motor number for order of spare parts!

Pour une commande de pièces détachées, donner le numéro du moteur!

LS

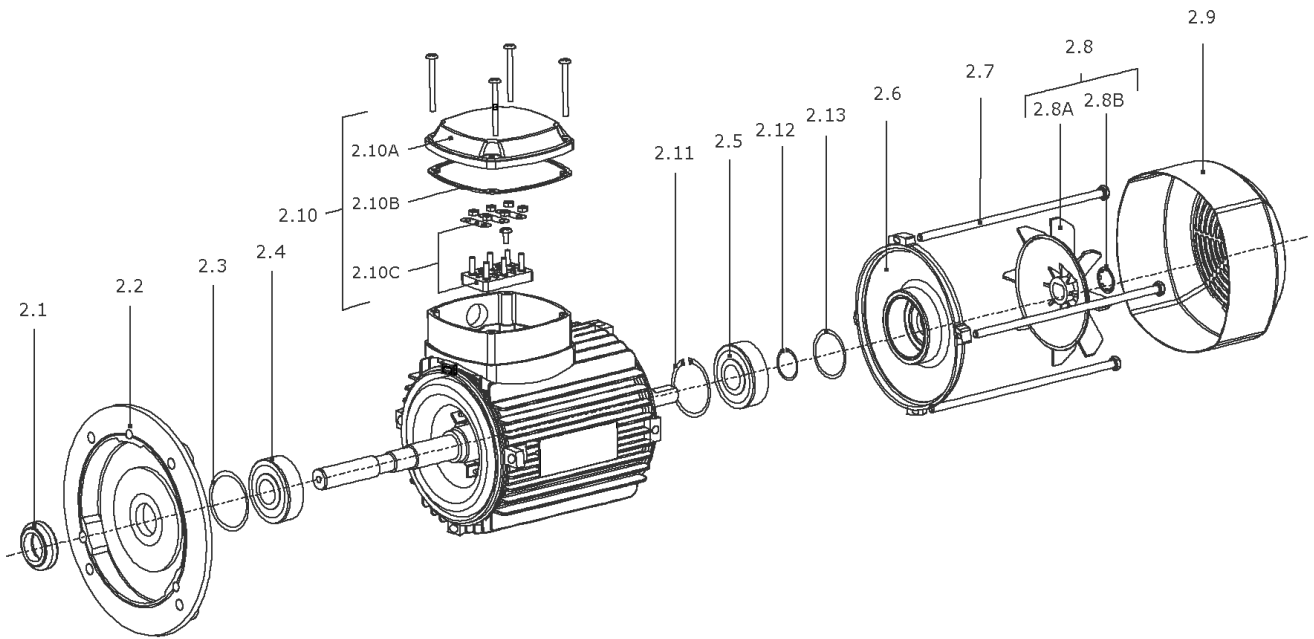
		3~LSES80L T							
		N° 216784 XD 001							
IP 55 1K08 cl.F 40° C SS1		11kg		80,6					
	V	Hz	min-1	kW	cosP	A	V	A	
Δ	230	50	2870	1.10	0.85	3.00			
λ	400	50	2870	1.10	0.85	2.30			

ATB

3-Mot	LF 80/2Z-11 IE2	/0609				
S1	IMB5	2280776	-0001	11767A		
IP 55	Th.Cl. 155(F)					
	Schwinggroessenstufe A					
	Wilo-Nr. 2118936					
kW	V	Hz	A	cos Φ	l/min	
1,10	Δ 400/230	50	2,25/3,90	0.86	2880	IE2-79,6
1,10	λ 460/265	60	1,95/3,40	0.85	3490	IE2-82,5
IE75//50		kg		EN 60034		IE 2

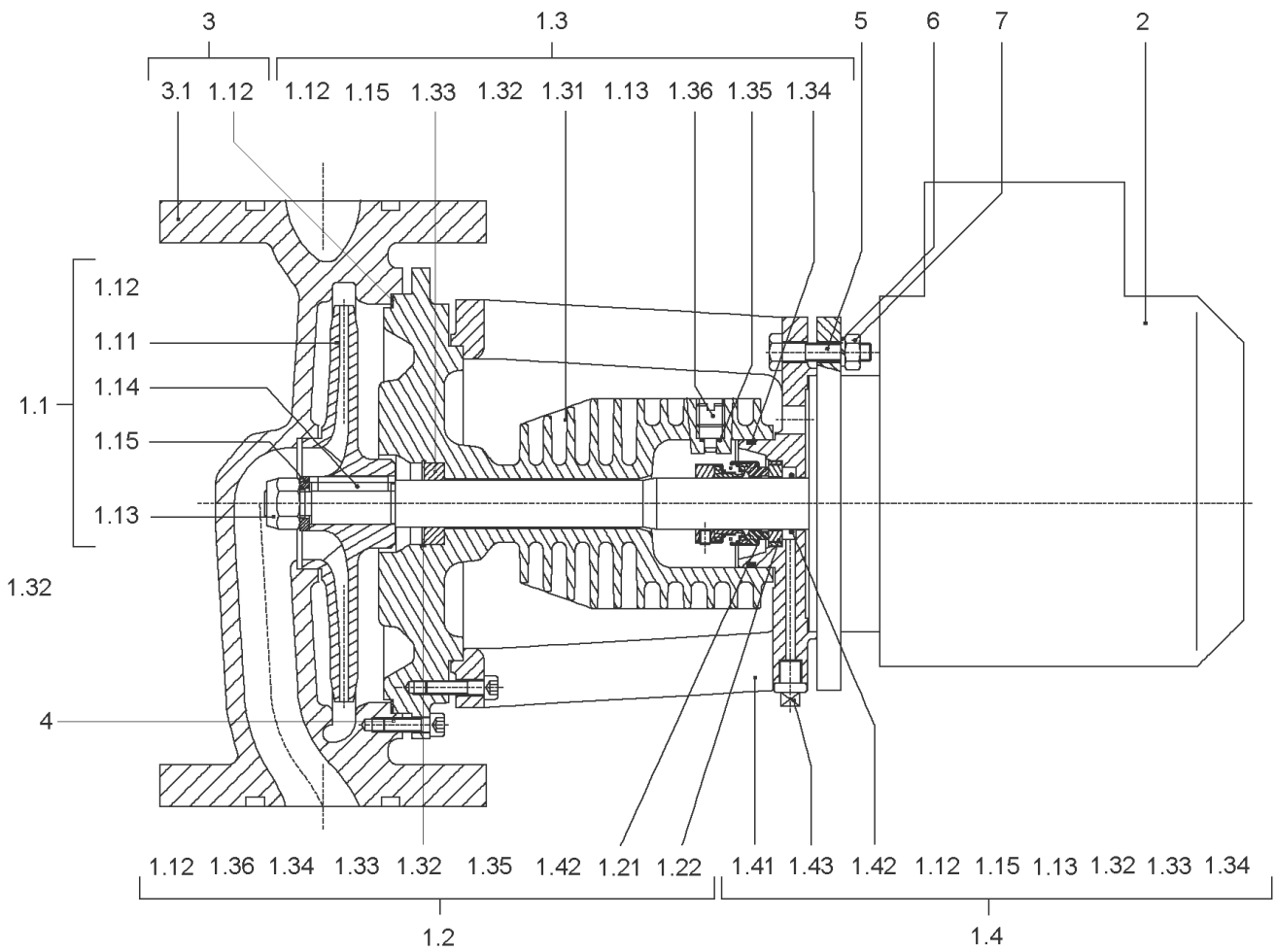
Spare parts motor 0,75/2/80 IE2

Item	Description	Quantity
LS	MOTOR 0,75-2T24B5-80F13RU-A14X200-IE2-LS	1
Note: spare parts on request /Ersatzteile auf Anfrage /pieces de rechange sur demande		
ATB	Motor 0,75-2T24B5-80F13RU-A14x200-IE2ATB	1



Motor 0,75-2T24B5-80F13RU-A14x200-IE2ATB

Item	Article no.	Description	Quantity
2.1	2112921	JOINT RING CIRCULAR 25X35X4 ATB VP.	1
2.2	2164165	End Shield BG71 D.E.ATB VP.	1
2.3	2090403	SHIM BALL BEARING BG71 ATB VP.	1
2.4	121083998	BALL BEARING 6205/2Z-C3 (HT) VP.	1
2.5	2046959	BALL BEARING 6202/2RS-C3 (HT) VP.	1
2.6	2123944	END SHIELD BG71 N.D.E.ATB VP.	1
2.7	2144075	Screw end shield M5X128 ATB(4 Pieces)	1
2.8	122093297	FAN WHEEL BG71 ATB KIT	1
2.8A		> FAN WHEEL BG71/80 106152 ATB	1
2.8B	2123923	> CORRUGATED SLEEVE RING BG71 ATB VP.	1
Note: Please give the data from type plate of the motor			
2.9	2161086	Fan housing BG71/80 ATB RAL7001 VP.	1
2.10	2123996	TERMINAL BOX CPL.BG71-80 ATB KIT	1
2.10A	2114271	> Term.box cover+gasket BG71/80 ATB VP.	1
Note: Please give the data from type plate of the motor			
2.10C	2096208	> TERMINAL BOARD BG71/80 ATB VP.	1
Note: Please give the data from type plate of the motor			
2.11	2046120	CIRCLIP 40X1,75 DIN472 A2	1
2.12	2123932	CIRCLIP 17X1 DIN471 A2 1.4122 VP.	1
2.13	2096271	SPACER DISC BG71/80 ATB VP.	1



IPH-O32/170-0,37/4 (4089400)

Item	Article no.	Description	Quantity
1.1	2051157	IMPELLER IPH-O32/170 KIT	1
1.11		> IMPELLER IPH32/170(170) FGL BALANCED	1
1.12	2162634	> Flat gasket 180X172X1,5 C-4509 VP.	1
1.13	2162645	> Nut HEWI12X125 8 A2A VP.	1
1.14	2162646	> Key C 6X6X32 112 VP.	1
1.15	2162644	> Washer B12.5A25C4 VP.	1
1.2	4094358	MECHANICAL SEAL IPH-O-32/170 KIT	1
1.12	2162634	> Flat gasket 180X172X1,5 C-4509 VP.	1
1.21		> ROTAT-RING-22.36.31NBR31.14.54-CYCLAM	1
1.22		> 22.37.6IN64.14INTERB.CYCLAM	1
1.32	2163927	> Circlip D.35X1.5 VP.	1
1.33	2150975	> Retaining ring IPH VP.	1
1.34	2163928	> O-Ring D.50X3 DF801 VP.	1
1.35	2163930	> O-Ring D.4,9X1,9 DF1438 VP.	1
1.36	2163932	> Venting screw IPH VP.	1
1.42	2163933	> Gasket D.20X2 DF801 VP.	1
1.3	2051158	COOLANT HOUSING IPH-O32/170 KIT	1
1.12	2162634	> Flat gasket 180X172X1,5 C-4509 VP.	1
1.13	2162645	> Nut HEWI12X125 8 A2A VP.	1
1.15	2162644	> Washer B12.5A25C4 VP.	1
1.31		> COOLING CASASING IPH32/170 PAINTED	1
1.32	2163927	> Circlip D.35X1.5 VP.	1
1.33	2150975	> Retaining ring IPH VP.	1
1.34	2163928	> O-Ring D.50X3 DF801 VP.	1
1.35	2163930	> O-Ring D.4,9X1,9 DF1438 VP.	1
1.36	2163932	> Venting screw IPH VP.	1
1.4	2051159	INTERMEDIATE PIECE IPH-O32/170 KIT	1
1.12	2162634	> Flat gasket 180X172X1,5 C-4509 VP.	1
1.13	2162645	> Nut HEWI12X125 8 A2A VP.	1
1.15	2162644	> Washer B12.5A25C4 VP.	1
1.32	2163927	> Circlip D.35X1.5 VP.	1
1.33	2150975	> Retaining ring IPH VP.	1
1.34	2163928	> O-Ring D.50X3 DF801 VP.	1
1.41		> LANTERN P130X110-F158 (IPH32) PAINTED	1

IPH-O32/170-0,37/4 (4089400)

Item	Article no.	Description	Quantity
1.42	2163933	> Gasket D.20X2 DF801 VP.	1
1.43	2163934	> Plug 1/8" GF290 FM VP.	1
2	2123551	MOTOR 0,37-4T24B5-71F13-RU-A18X237 VP.	1
2		SPARE PARTS MOTOR 0,37/4/71 A18X237 IE2	1
3	2051156	PUMP HOUSING IPH-O32/170 KIT	1
1.12	2162634	> Flat gasket 180X172X1,5 C-4509 VP.	1
3.1		> PUMP HOUSING IPH32/170 PAINTED	1
4	2106310	SCREW M6x25 ISO4762 12.9 (4 PIECES)	1
5	2123552	SCREW M8X40 ISO4762 8.8 (4 PIECES)	1
6	2163938	Contact washer 8x16x1,4 Steel VP.	1
7	2112817	NUT M8-8 ISO4032 GEOMET (4 PIECES)	1
	2064422	COUNTER FLANGE IPH-O DN32 KIT	1
		> Flange EN1092-1/11C/DN32 PN25	1
	2163943	> Flat gasket D.65x51x1,5 C-4509 VP.	1

Motor-Typenschild/ Motor type plate/ Plaque identité moteur

Bei Ersatzteilbestellung Motor-Nummer angeben!

Indicate motor number for order of spare parts!

Pour une commande de pièces détachées, donner le numéro du moteur!

LS

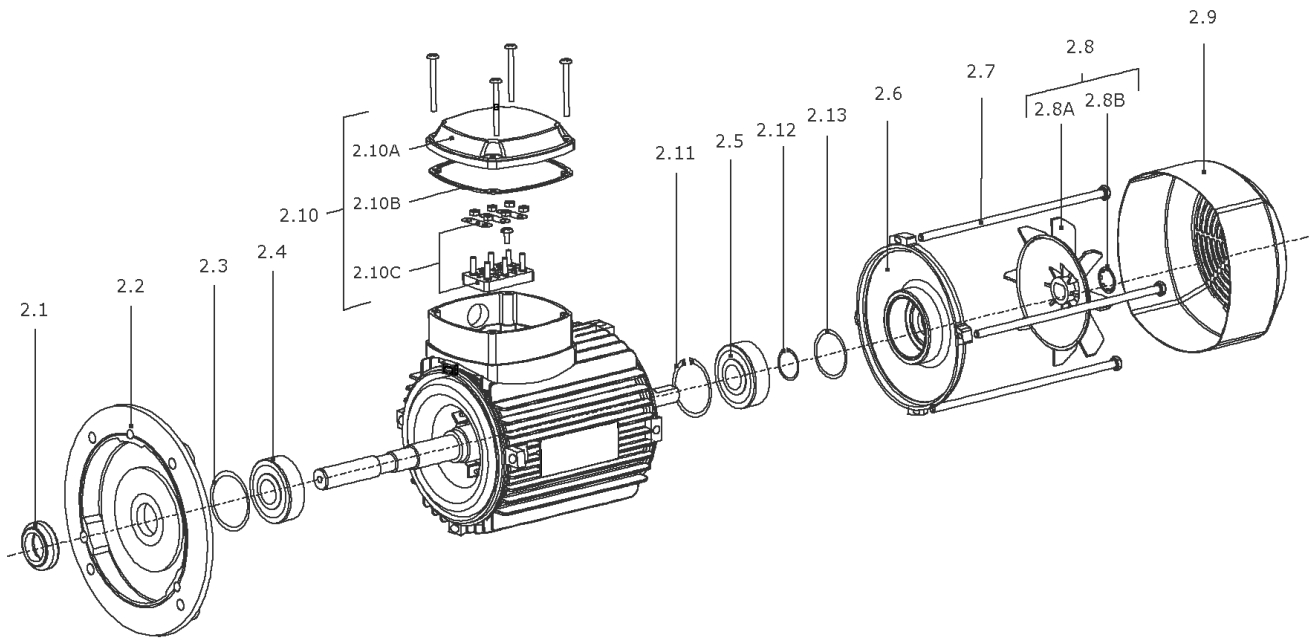
		3~LSES80L T						
		N° 216784 XD 001		IE2				
IP 55 1K08 cl.F 40° C SS1		11kg		80,6				
	V	Hz	min-1	kW	cosP	A	V	A
△	230	50	2870	1.10	0.85	3.00		
∧	400	50	2870	1.10	0.85	2.30		

ATB

3-Mot	LF 80/2Z-11 IE2	/0609				
S1	IMB5	2280776	-0001 11767A			
IP 55	Th.Cl. 155(F)					
Schwinggroessenstufe A		Wilo-Nr. 2118936				
kW	V	Hz	A	cos φ	1/min	
1,10	YΔ 400/230	50	2,25/3,90	0.86	2880	IE2-79,6
1,10	YΔ 460/265	60	1,95/3,40	0.85	3490	IE2-82,5
IE75//50		kg	EN 60034		IE 2	

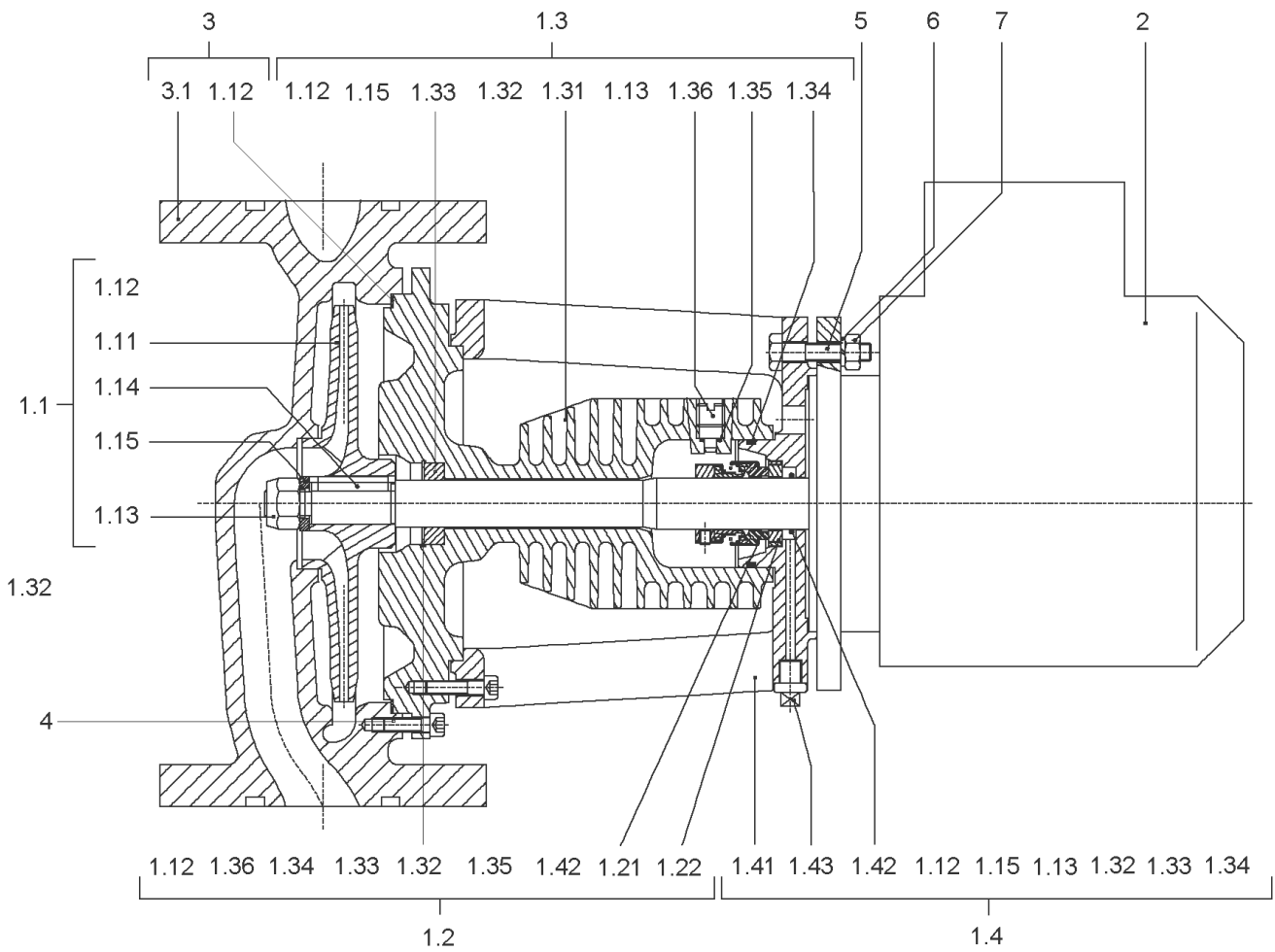
SPARE PARTS MOTOR 0,37/4/71 A18X237 IE2

Item	Article no.	Description	Quantity
LS		MOTOR 0,37-4T24B5-71F13-RU-A18X237-LS	1
		> END SHIELD BG71 D.E.LS(IPH-W/-O)VP.	1
Note: no longer available / nicht mehr lieferbar / ne plus disponible			
		> END SHIELD BG71 N.D.E.LS(IPH-W/-O)VP.	1
Note: no longer available / nicht mehr lieferbar / ne plus disponible			
	2083840	> BALL BEARING 6005/2Z-C3 (HT) VP.	1
Note: Please give the data from type plate of the motor			
	2046237	> BALL BEARING 6201/2RS-C3 (HT) VP.	1
Note: Please give the data from type plate of the motor			
	2100543	> TERMINAL BOX BG71 LS(IPH-W/-O)VP.	1
Note: Please give the data from type plate of the motor			
	2107594	> TERMINAL BOARD BG71 LS(IPH-W/-O)VP.	1
Note: Please give the data from type plate of the motor			
	2107558	> FAN WHEEL BG71 LS(IPH-W/-O)VP.	1
Note: Please give the data from type plate of the motor			
	2100544	> FAN HOOD BG71 LS(IPH-W/-O)VP.	1
Note: Please give the data from type plate of the motor			
ATB		Motor 0,37-4T24B5-71F13RU-A18x237-IE2ATB	1



Motor 0,37-4T24B5-71F13RU-A18x237-IE2ATB

Item	Article no.	Description	Quantity
2.1	2112921	JOINT RING CIRCULAR 25X35X4 ATB VP.	1
2.2	2164165	End Shield BG71 D.E.ATB VP.	1
2.3	2090403	SHIM BALL BEARING BG71 ATB VP.	1
2.4	121083998	BALL BEARING 6205/2Z-C3 (HT) VP.	1
2.5	2046959	BALL BEARING 6202/2RS-C3 (HT) VP.	1
2.6	2123944	END SHIELD BG71 N.D.E.ATB VP.	1
2.7	2144075	Screw end shield M5X128 ATB(4 Pieces)	1
2.8	122093297	FAN WHEEL BG71 ATB KIT	1
2.8A		> FAN WHEEL BG71/80 106152 ATB	1
2.8B	2123923	> CORRUGATED SLEEVE RING BG71 ATB VP.	1
Note: Please give the data from type plate of the motor			
2.9	2161086	Fan housing BG71/80 ATB RAL7001 VP.	1
2.10	2123996	TERMINAL BOX CPL.BG71-80 ATB KIT	1
2.10A	2114271	> Term.box cover+gasket BG71/80 ATB VP.	1
Note: Please give the data from type plate of the motor			
2.10C	2096208	> TERMINAL BOARD BG71/80 ATB VP.	1
Note: Please give the data from type plate of the motor			
2.11	2046120	CIRCLIP 40X1,75 DIN472 A2	1
2.12	2123932	CIRCLIP 17X1 DIN471 A2 1.4122 VP.	1
2.13	2096271	SPACER DISC BG71/80 ATB VP.	1



IPH-O32/170-2,2/2-IE1 (4089391)

Item	Article no.	Description	Quantity
1.1	2051157	IMPELLER IPH-O32/170 KIT	1
1.11		> IMPELLER IPH32/170(170) FGL BALANCED	1
1.12	2162634	> Flat gasket 180X172X1,5 C-4509 VP.	1
1.13	2162645	> Nut HEWI12X125 8 A2A VP.	1
1.14	2162646	> Key C 6X6X32 112 VP.	1
1.15	2162644	> Washer B12.5A25C4 VP.	1
1.2	4094358	MECHANICAL SEAL IPH-O-32/170 KIT	1
1.12	2162634	> Flat gasket 180X172X1,5 C-4509 VP.	1
1.21		> ROTAT-RING-22.36.31NBR31.14.54-CYCLAM	1
1.22		> 22.37.6IN64.14INTERB.CYCLAM	1
1.32	2163927	> Circlip D.35X1.5 VP.	1
1.33	2150975	> Retaining ring IPH VP.	1
1.34	2163928	> O-Ring D.50X3 DF801 VP.	1
1.35	2163930	> O-Ring D.4,9X1,9 DF1438 VP.	1
1.36	2163932	> Venting screw IPH VP.	1
1.42	2163933	> Gasket D.20X2 DF801 VP.	1
1.3	2051158	COOLANT HOUSING IPH-O32/170 KIT	1
1.12	2162634	> Flat gasket 180X172X1,5 C-4509 VP.	1
1.13	2162645	> Nut HEWI12X125 8 A2A VP.	1
1.15	2162644	> Washer B12.5A25C4 VP.	1
1.31		> COOLING CASASING IPH32/170 PAINTED	1
1.32	2163927	> Circlip D.35X1.5 VP.	1
1.33	2150975	> Retaining ring IPH VP.	1
1.34	2163928	> O-Ring D.50X3 DF801 VP.	1
1.35	2163930	> O-Ring D.4,9X1,9 DF1438 VP.	1
1.36	2163932	> Venting screw IPH VP.	1
1.4	2051159	INTERMEDIATE PIECE IPH-O32/170 KIT	1
1.12	2162634	> Flat gasket 180X172X1,5 C-4509 VP.	1
1.13	2162645	> Nut HEWI12X125 8 A2A VP.	1
1.15	2162644	> Washer B12.5A25C4 VP.	1
1.32	2163927	> Circlip D.35X1.5 VP.	1
1.33	2150975	> Retaining ring IPH VP.	1
1.34	2163928	> O-Ring D.50X3 DF801 VP.	1
1.41		> LANTERN P130X110-F158 (IPH32) PAINTED	1

IPH-O32/170-2,2/2-IE1 (4089391)

Item	Article no.	Description	Quantity
1.42	2163933	> Gasket D.20X2 DF801 VP.	1
1.43	2163934	> Plug 1/8" GF290 FM VP.	1
2	2174746	Motor 2,2-2T24B5-90F13RU-A18x237-IE3 VP.	1
2		SPARE PARTS MOTOR BG90 LS IE1	1
		> END SHIELD BG90 D.E.LS(IPH-W/-O)VP.	1
Note: no longer available / nicht mehr lieferbar / ne plus disponible			
		> END SHIELD BG80-90 N.D.E.LS(IPH-W/-O)VP.	1
Note: no longer available / nicht mehr lieferbar / ne plus disponible			
	121083998	> BALL BEARING 6205/2Z-C3 (HT) VP.	1
Note: Please give the data from type plate of the motor			
	121084499	> BALL BEARING 6204/2Z-C3 (HT) VP.	1
Note: Please give the data from type plate of the motor			
	2107568	> TERMINAL BOX BG80-112 LS(IPH-W/-O)VP.	1
Note: Please give the data from type plate of the motor			
	2107596	> TERMINAL BOARD BG80-112 LS(IPH-W/-O)VP.	1
Note: Please give the data from type plate of the motor			
	2106307	> FAN WHEEL BG90-112 LS(IPH-W/-O)VP.	1
Note: Please give the data from type plate of the motor			
	2106306	> Fan hood BG90 LS VP.	1
Note: Please give the data from type plate of the motor			
2		Spare parts motor 2,2/2/90 IE2	1
2		Spare parts motor: on request for IE3	1
3	2051156	PUMP HOUSING IPH-O32/170 KIT	1
1.12	2162634	> Flat gasket 180X172X1,5 C-4509 VP.	1
3.1		> PUMP HOUSING IPH32/170 PAINTED	1
4	2106310	SCREW M6x25 ISO4762 12.9 (4 PIECES)	1
5	2123552	SCREW M8X40 ISO4762 8.8 (4 PIECES)	1
6	2163938	Contact washer 8x16x1,4 Steel VP.	1
7	2112817	NUT M8-8 ISO4032 GEOMET (4 PIECES)	1
	2064422	COUNTER FLANGE IPH-O DN32 KIT	1
		> Flange EN1092-1/11C/DN32 PN25	1
	2163943	> Flat gasket D.65x51x1,5 C-4509 VP.	1

Motor-Typenschild/ Motor type plate/ Plaque identité moteur

Bei Ersatzteilbestellung Motor-Nummer angeben!

Indicate motor number for order of spare parts!

Pour une commande de pièces détachées, donner le numéro du moteur!

LS

		3~LSES80L T			
SOMER		N° 216784 XD 001		IE2	
IP 55 1K08 cl.F 40° C SS1		11kg		80,6	

	V	Hz	min-1	kW	cosP	A	V	A
△	230	50	2870	1.10	0.85	3.00		
人	400	50	2870	1.10	0.85	2.30		

ATB

3-Mot	LF 80/2Z-11 IE2	/0609	
S1	IMB5	2280776	-0001 11767A
IP 55	Th.Cl. 155(F)		

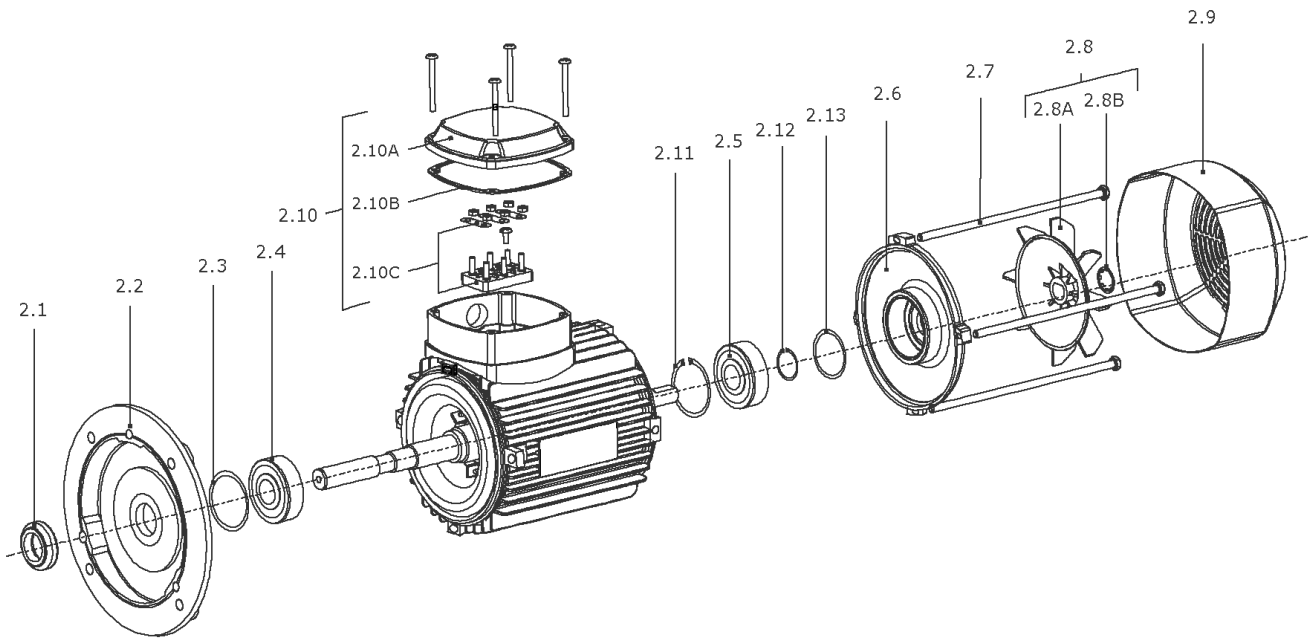
Schwinggroessenstufe A
Wilo-Nr. 2118936

kW	V	Hz	A	cos φ	l/min	
1,10	YΔ 400/230	50	2,25/3,90	0.86	2880	IE2-79,6
1,10	YΔ 460/265	60	1,95/3,40	0.85	3490	IE2-82,5

IE75//50 kg EN 60034 IE 2

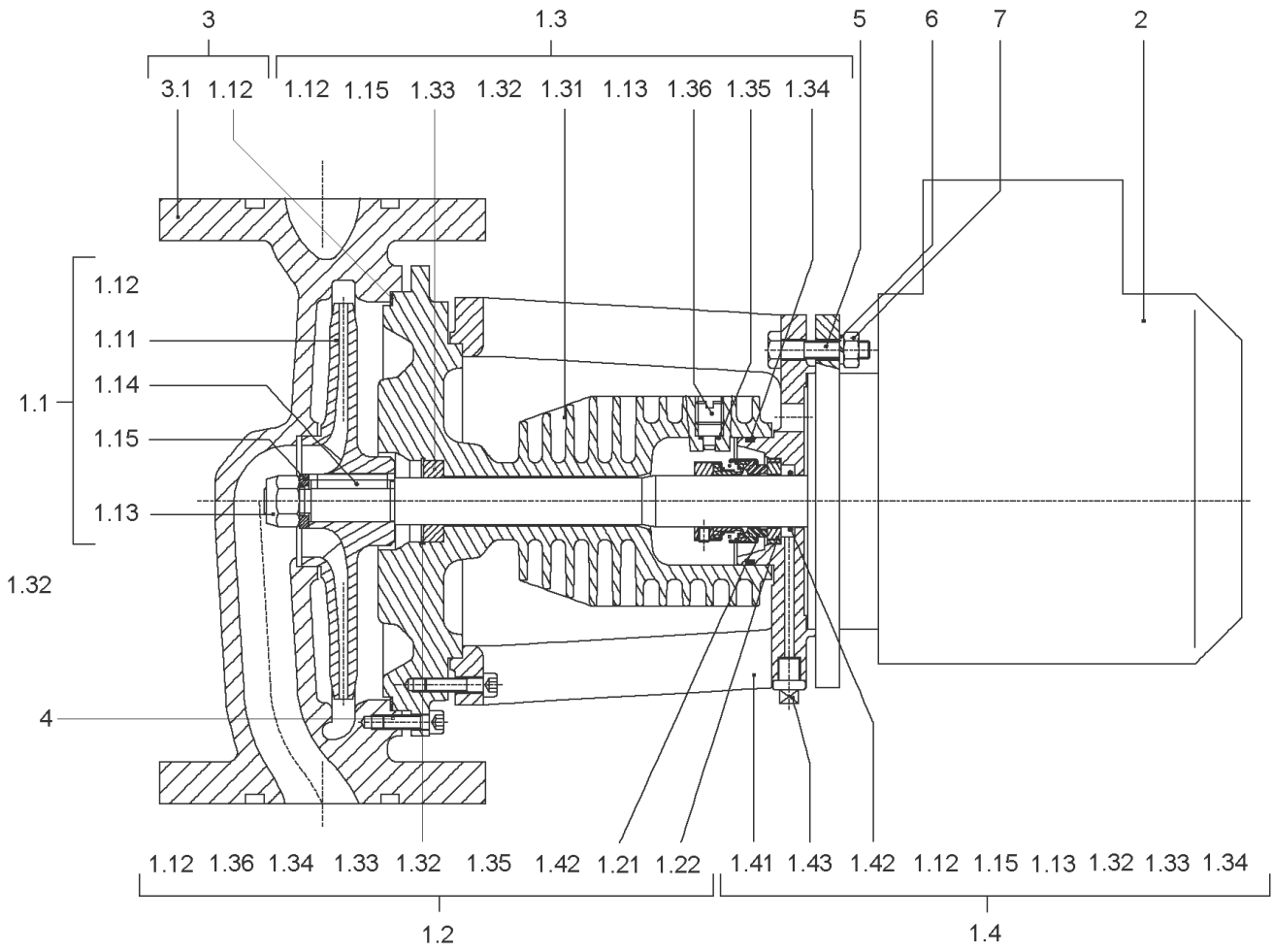
Spare parts motor 2,2/2/90 IE2

Item	Description	Quantity
LS	MOTOR 2,2-2T24B5-90F13-RU-A18X237-IE2-LS	1
ATB	Motor 2,2-2T24B5-90F13RU-A18x237-IE2ATB	1



Motor 2,2-2T24B5-90F13RU-A18x237-IE2ATB

Item	Article no.	Description	Quantity
2.1	2112921	JOINT RING CIRCULAR 25X35X4 ATB VP.	1
2.2	2164166	Capacitor 25µF 400VDB VP.	1
2.3	2096256	SHIM BALL BEARING BG90/100 ATB VP.	1
2.4	121083998	BALL BEARING 6205/2Z-C3 (HT) VP.	1
2.5	121083998	BALL BEARING 6205/2Z-C3 (HT) VP.	1
2.6	2123946	END SHIELD BG90/100 N.D.E.ATB VP.	1
2.7	2112674	SCREW END SHIELD M5X190 ATB(4 PIECES)	1
2.8	2123911	FAN WHEEL BG90 ATB KIT	1
2.8A		> FAN WHEEL BG90 721183 ATB	1
2.8B	2047016	> CORRUGATED SLEEVE RING BG90/100 ATB VP.	1
Note: Please give the data from type plate of the motor			
2.9	2150919	Fan housing BG90/100 RAL7001 ATB VP.	1
2.10	2124004	TERMINAL BOX CPL.BG90 ATB KIT	1
2.10A	2114270	> Term.box cover+gasket BG90-112 ATB VP.	1
Note: Please give the data from type plate of the motor			
2.10B	2096239	> GASKETS TERMINAL BOX BG90-112 ATB VP.	1
Note: Please give the data from type plate of the motor			
2.10C	2150996	> Terminal board cpl.BG56-132 ATB VP.	1
Note: Please give the data from type plate of the motor			
2.11	2112677	CIRCLIP 52X2 J ATB VP.	1
2.12	2112922	CIRCLIP 25X1,2 DIN471 ATB VP.	1
2.13	2096272	SPACER DISC BG80-100 ATB VP.	1



IPH-O65/110-2,2/2-IE1 (4089392)

Item	Article no.	Description	Quantity
1.1	2051155	IMPELLER IPH-O65/110 KIT	1
1.11		> IMPELLER IPH65/110(110) FGL BALANCED	1
1.12	2162632	> Flat gasket 173X165X1,5 C-4509 VP.	1
1.13	2162645	> Nut HEWI12X125 8 A2A VP.	1
1.14	2162646	> Key C 6X6X32 112 VP.	1
1.15	2162644	> Washer B12.5A25C4 VP.	1
1.2	4094357	MECHANICAL SEAL IPH-O KIT	1
1.12	2162632	> Flat gasket 173X165X1,5 C-4509 VP.	1
1.21		> ROTAT-RING-22.36.31NBR31.14.54-CYCLAM	1
1.22		> 22.37.6IN64.14INTERB.CYCLAM	1
1.32	2163927	> Circlip D.35X1.5 VP.	1
1.33	2150975	> Retaining ring IPH VP.	1
1.34	2163928	> O-Ring D.50X3 DF801 VP.	1
1.35	2163930	> O-Ring D.4,9X1,9 DF1438 VP.	1
1.36	2163932	> Venting screw IPH VP.	1
1.42	2163933	> Gasket D.20X2 DF801 VP.	1
1.3	2051148	COOLANT HOUSING IPH-O65-80/110-125 KIT	1
1.12	2162632	> Flat gasket 173X165X1,5 C-4509 VP.	1
1.13	2162645	> Nut HEWI12X125 8 A2A VP.	1
1.15	2162644	> Washer B12.5A25C4 VP.	1
1.31		> COOLING CAS.IPH20/160+65-80/110-125PAINT	1
1.32	2163927	> Circlip D.35X1.5 VP.	1
1.33	2150975	> Retaining ring IPH VP.	1
1.34	2163928	> O-Ring D.50X3 DF801 VP.	1
1.35	2163930	> O-Ring D.4,9X1,9 DF1438 VP.	1
1.36	2163932	> Venting screw IPH VP.	1
1.4	2051141	INTERMEDIATE PIECE IPH-O KIT	1
1.12	2162632	> Flat gasket 173X165X1,5 C-4509 VP.	1
1.13	2162645	> Nut HEWI12X125 8 A2A VP.	1
1.15	2162644	> Washer B12.5A25C4 VP.	1
1.32	2163927	> Circlip D.35X1.5 VP.	1
1.33	2150975	> Retaining ring IPH VP.	1
1.34	2163928	> O-Ring D.50X3 DF801 VP.	1
1.41		> LANTERN P130X110-F196 (IPH20/65/80)PAINT	1

IPH-O65/110-2,2/2-IE1 (4089392)

Item	Article no.	Description	Quantity
1.42	2163933	> Gasket D.20X2 DF801 VP.	1
1.43	2163934	> Plug 1/8" GF290 FM VP.	1
2	2174746	Motor 2,2-2T24B5-90F13RU-A18x237-IE3 VP.	1
2		SPARE PARTS MOTOR BG90 LS IE1	1
		> END SHIELD BG90 D.E.LS(IPH-W/-O)VP.	1
Note: no longer available / nicht mehr lieferbar / ne plus disponible			
		> END SHIELD BG80-90 N.D.E.LS(IPH-W/-O)VP.	1
Note: no longer available / nicht mehr lieferbar / ne plus disponible			
	121083998	> BALL BEARING 6205/2Z-C3 (HT) VP.	1
Note: Please give the data from type plate of the motor			
	121084499	> BALL BEARING 6204/2Z-C3 (HT) VP.	1
Note: Please give the data from type plate of the motor			
	2107568	> TERMINAL BOX BG80-112 LS(IPH-W/-O)VP.	1
Note: Please give the data from type plate of the motor			
	2107596	> TERMINAL BOARD BG80-112 LS(IPH-W/-O)VP.	1
Note: Please give the data from type plate of the motor			
	2106307	> FAN WHEEL BG90-112 LS(IPH-W/-O)VP.	1
Note: Please give the data from type plate of the motor			
	2106306	> Fan hood BG90 LS VP.	1
Note: Please give the data from type plate of the motor			
2		Spare parts motor 2,2/2/90 IE2	1
2		Spare parts motor: on request for IE3	1
3	2051153	PH.IPH-O65/125-1,1+/110-125-2,2 KIT	1
1.12	2162632	> Flat gasket 173X165X1,5 C-4509 VP.	1
3.1		> PUMP HOUSING IPH65/125 PAINTED	1
4	2106311	SCREW M8X30 ISO4762 12.9 (4 PIECES)	1
5	2123552	SCREW M8X40 ISO4762 8.8 (4 PIECES)	1
6	2163938	Contact washer 8x16x1,4 Steel VP.	1
7	2112817	NUT M8-8 ISO4032 GEOMET (4 PIECES)	1
	2064424	COUNTER FLANGE IPH-O DN65 KIT	1
		> Flange EN1092-1/11C/DN65 PN25	1
	2163944	> Flat gasket D.109x95x1,5 C-4509 VP.	1

Motor-Typenschild/ Motor type plate/ Plaque identité moteur

Bei Ersatzteilbestellung Motor-Nummer angeben!

Indicate motor number for order of spare parts!

Pour une commande de pièces détachées, donner le numéro du moteur!

LS

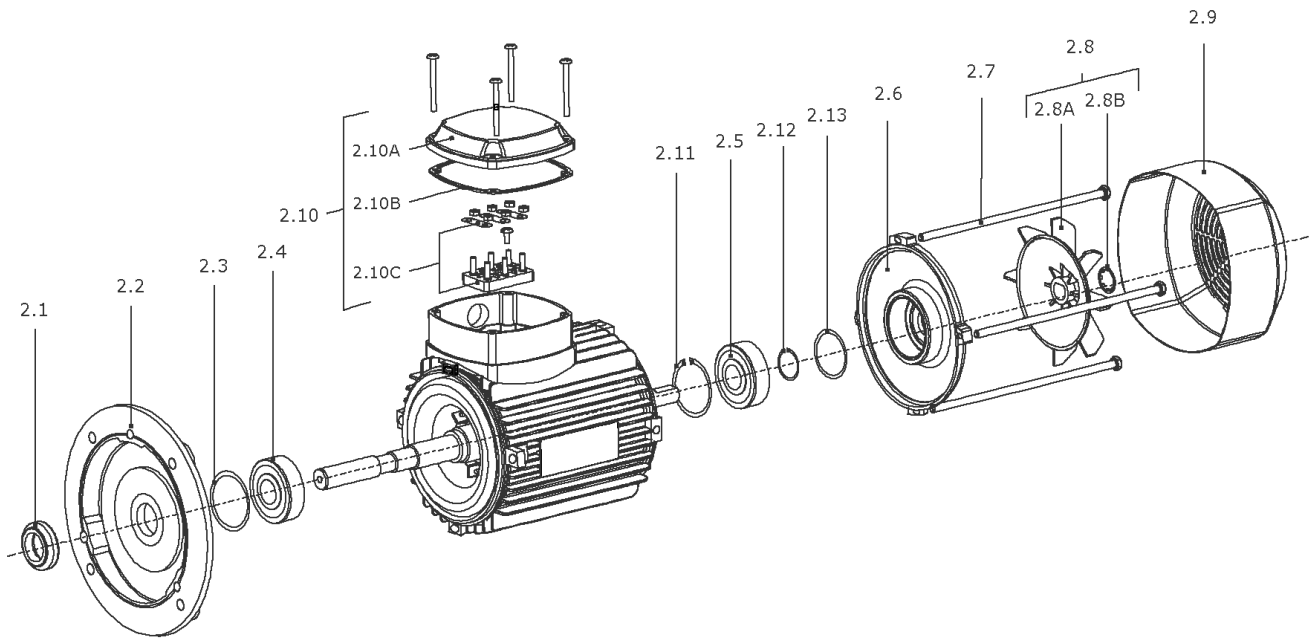
		3~LSES80L T						
		N° 216784 XD 001						
IP 55 1K08 cl.F 40° C SS1		11kg		IE2 80,6				
	V	Hz	min-1	kW	cosP	A	V	A
△	230	50	2870	1.10	0.85	3.00		
人	400	50	2870	1.10	0.85	2.30		

ATB

3-Mot	LF 80/2Z-11 IE2	/0609				
S1	IMB5	2280776	-0001	11767A		
IP 55	Th.Cl. 155(F)					
	Schwinggroessenstufe A					
	Wilo-Nr. 2118936					
kW	V	Hz	A	cos φ	1/min	
1,10	YΔ 400/230	50	2,25/3,90	0.86	2880	IE2-79,6
1,10	YΔ 460/265	60	1,95/3,40	0.85	3490	IE2-82,5
IE75//50		kg		EN 60034		IE 2

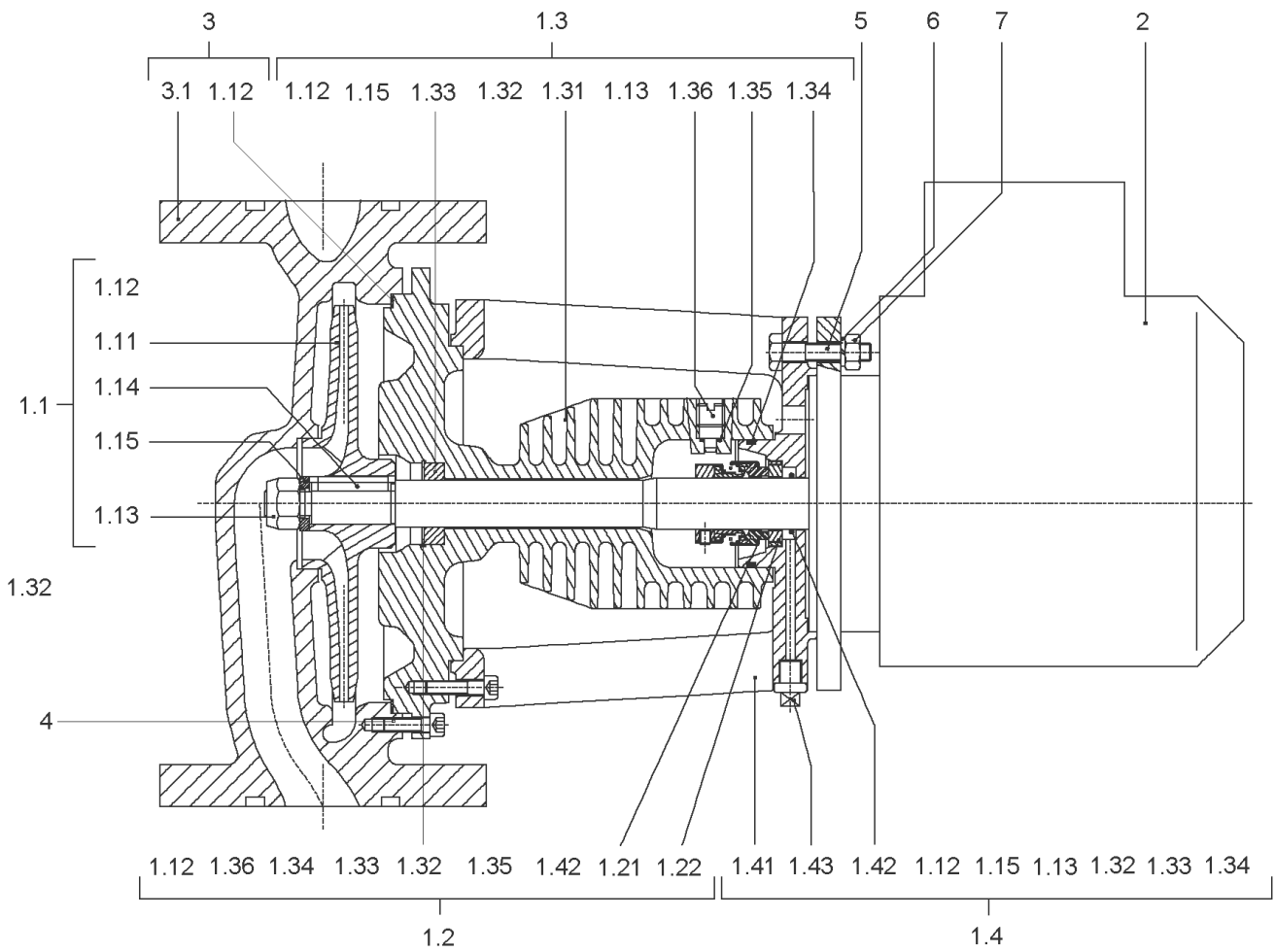
Spare parts motor 2,2/2/90 IE2

Item	Description	Quantity
LS	MOTOR 2,2-2T24B5-90F13-RU-A18X237-IE2-LS	1
ATB	Motor 2,2-2T24B5-90F13RU-A18x237-IE2ATB	1



Motor 2,2-2T24B5-90F13RU-A18x237-IE2ATB

Item	Article no.	Description	Quantity
2.1	2112921	JOINT RING CIRCULAR 25X35X4 ATB VP.	1
2.2	2164166	Capacitor 25µF 400VDB VP.	1
2.3	2096256	SHIM BALL BEARING BG90/100 ATB VP.	1
2.4	121083998	BALL BEARING 6205/2Z-C3 (HT) VP.	1
2.5	121083998	BALL BEARING 6205/2Z-C3 (HT) VP.	1
2.6	2123946	END SHIELD BG90/100 N.D.E.ATB VP.	1
2.7	2112674	SCREW END SHIELD M5X190 ATB(4 PIECES)	1
2.8	2123911	FAN WHEEL BG90 ATB KIT	1
2.8A		> FAN WHEEL BG90 721183 ATB	1
2.8B	2047016	> CORRUGATED SLEEVE RING BG90/100 ATB VP.	1
Note: Please give the data from type plate of the motor			
2.9	2150919	Fan housing BG90/100 RAL7001 ATB VP.	1
2.10	2124004	TERMINAL BOX CPL.BG90 ATB KIT	1
2.10A	2114270	> Term.box cover+gasket BG90-112 ATB VP.	1
Note: Please give the data from type plate of the motor			
2.10B	2096239	> GASKETS TERMINAL BOX BG90-112 ATB VP.	1
Note: Please give the data from type plate of the motor			
2.10C	2150996	> Terminal board cpl.BG56-132 ATB VP.	1
Note: Please give the data from type plate of the motor			
2.11	2112677	CIRCLIP 52X2 J ATB VP.	1
2.12	2112922	CIRCLIP 25X1,2 DIN471 ATB VP.	1
2.13	2096272	SPACER DISC BG80-100 ATB VP.	1



IPH-O65/125-1,1/4-IE1 (4089401)

Item	Article no.	Description	Quantity
1.1	2051154	IMPELLER IPH-O65/125 KIT	1
1.11		> IMPELLER IPH65/125(124) FGL BALANCED	1
1.12	2162632	> Flat gasket 173X165X1,5 C-4509 VP.	1
1.13	2162645	> Nut HEWI12X125 8 A2A VP.	1
1.14	2162646	> Key C 6X6X32 112 VP.	1
1.15	2162644	> Washer B12.5A25C4 VP.	1
1.2	4094357	MECHANICAL SEAL IPH-O KIT	1
1.12	2162632	> Flat gasket 173X165X1,5 C-4509 VP.	1
1.21		> ROTAT-RING-22.36.31NBR31.14.54-CYCLAM	1
1.22		> 22.37.6IN64.14INTERB.CYCLAM	1
1.32	2163927	> Circlip D.35X1.5 VP.	1
1.33	2150975	> Retaining ring IPH VP.	1
1.34	2163928	> O-Ring D.50X3 DF801 VP.	1
1.35	2163930	> O-Ring D.4,9X1,9 DF1438 VP.	1
1.36	2163932	> Venting screw IPH VP.	1
1.42	2163933	> Gasket D.20X2 DF801 VP.	1
1.3	2051148	COOLANT HOUSING IPH-O65-80/110-125 KIT	1
1.12	2162632	> Flat gasket 173X165X1,5 C-4509 VP.	1
1.13	2162645	> Nut HEWI12X125 8 A2A VP.	1
1.15	2162644	> Washer B12.5A25C4 VP.	1
1.31		> COOLING CAS.IPH20/160+65-80/110-125PAINT	1
1.32	2163927	> Circlip D.35X1.5 VP.	1
1.33	2150975	> Retaining ring IPH VP.	1
1.34	2163928	> O-Ring D.50X3 DF801 VP.	1
1.35	2163930	> O-Ring D.4,9X1,9 DF1438 VP.	1
1.36	2163932	> Venting screw IPH VP.	1
1.4	2051141	INTERMEDIATE PIECE IPH-O KIT	1
1.12	2162632	> Flat gasket 173X165X1,5 C-4509 VP.	1
1.13	2162645	> Nut HEWI12X125 8 A2A VP.	1
1.15	2162644	> Washer B12.5A25C4 VP.	1
1.32	2163927	> Circlip D.35X1.5 VP.	1
1.33	2150975	> Retaining ring IPH VP.	1
1.34	2163928	> O-Ring D.50X3 DF801 VP.	1
1.41		> LANTERN P130X110-F196 (IPH20/65/80)PAINT	1

IPH-O65/125-1,1/4-IE1 (4089401)

Item	Article no.	Description	Quantity
1.42	2163933	> Gasket D.20X2 DF801 VP.	1
1.43	2163934	> Plug 1/8" GF290 FM VP.	1
2	2174744	Motor 1,1-4T24B5-90F13RU-A18x237-IE3 VP.	1
2		SPARE PARTS MOTOR BG90 LS IE1	1
		> END SHIELD BG90 D.E.LS(IPH-W/-O)VP.	1
Note: no longer available / nicht mehr lieferbar / ne plus disponible			
		> END SHIELD BG80-90 N.D.E.LS(IPH-W/-O)VP.	1
Note: no longer available / nicht mehr lieferbar / ne plus disponible			
	121083998	> BALL BEARING 6205/2Z-C3 (HT) VP.	1
Note: Please give the data from type plate of the motor			
	121084499	> BALL BEARING 6204/2Z-C3 (HT) VP.	1
Note: Please give the data from type plate of the motor			
	2107568	> TERMINAL BOX BG80-112 LS(IPH-W/-O)VP.	1
Note: Please give the data from type plate of the motor			
	2107596	> TERMINAL BOARD BG80-112 LS(IPH-W/-O)VP.	1
Note: Please give the data from type plate of the motor			
	2106307	> FAN WHEEL BG90-112 LS(IPH-W/-O)VP.	1
Note: Please give the data from type plate of the motor			
	2106306	> Fan hood BG90 LS VP.	1
Note: Please give the data from type plate of the motor			
2		Spare parts motor 1,1/4/90 IE2	1
2		Spare parts motor: on request for IE3	1
3	2051153	PH.IPH-O65/125-1,1+/110-125-2,2 KIT	1
1.12	2162632	> Flat gasket 173X165X1,5 C-4509 VP.	1
3.1		> PUMP HOUSING IPH65/125 PAINTED	1
4	2106311	SCREW M8X30 ISO4762 12.9 (4 PIECES)	1
5	2123552	SCREW M8X40 ISO4762 8.8 (4 PIECES)	1
6	2163938	Contact washer 8x16x1,4 Steel VP.	1
7	2112817	NUT M8-8 ISO4032 GEOMET (4 PIECES)	1
	2064424	COUNTER FLANGE IPH-O DN65 KIT	1
		> Flange EN1092-1/11C/DN65 PN25	1
	2163944	> Flat gasket D.109x95x1,5 C-4509 VP.	1

Motor-Typenschild/ Motor type plate/ Plaque identité moteur

Bei Ersatzteilbestellung Motor-Nummer angeben!

Indicate motor number for order of spare parts!

Pour une commande de pièces détachées, donner le numéro du moteur!

LS

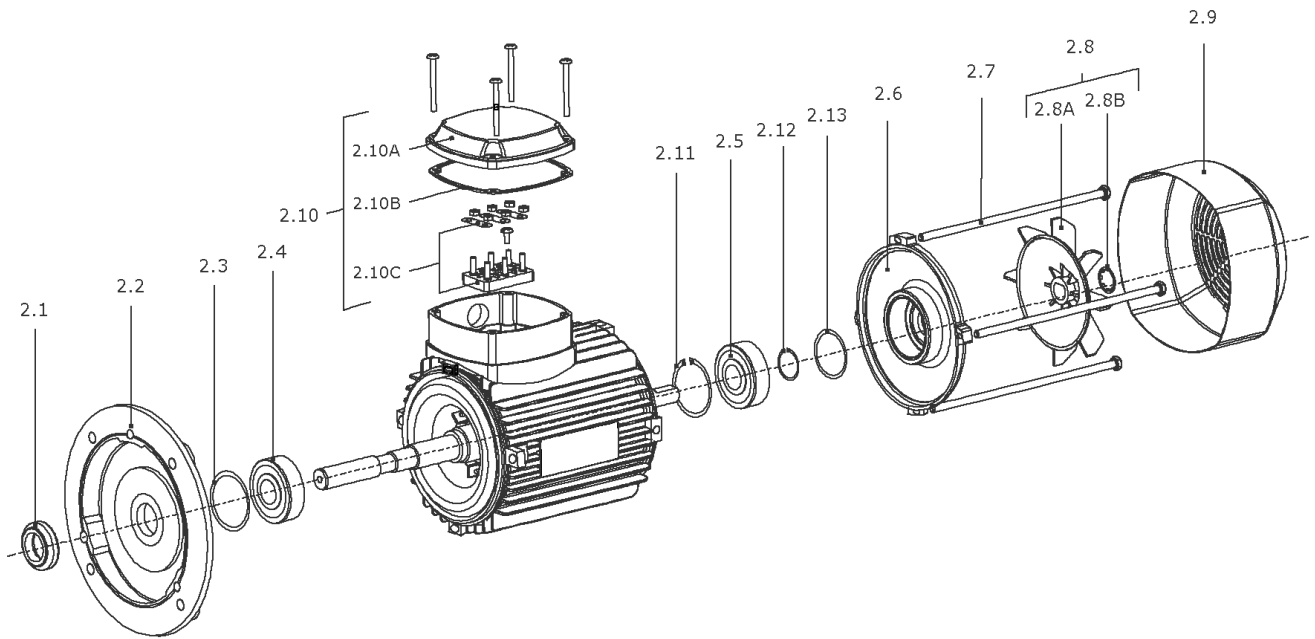
		° 3~LSES80L T							
		N° 216784 XD 001							
IP 55 1K08 cl.F 40° C SS1		11kg		80,6					
	V	Hz	min-1	kW	cosP	A	V	A	
Δ	230	50	2870	1.10	0.85	3.00			
λ	400	50	2870	1.10	0.85	2.30			

ATB

3-Mot	LF 80/2Z-11 IE2	/0609				
S1	IMB5	2280776	-0001 11767A			
IP 55	Th.Cl. 155(F)					
	Schwinggroessenstufe A					
Wilo-Nr. 2118936						
kW	V	Hz	A	cos Φ	1/min	
1,10	Δ 400/230	50	2,25/3,90	0.86	2880	IE2-79,6
1,10	λ 460/265	60	1,95/3,40	0.85	3490	IE2-82,5
IE75//50		kg	EN 60034		IE 2	

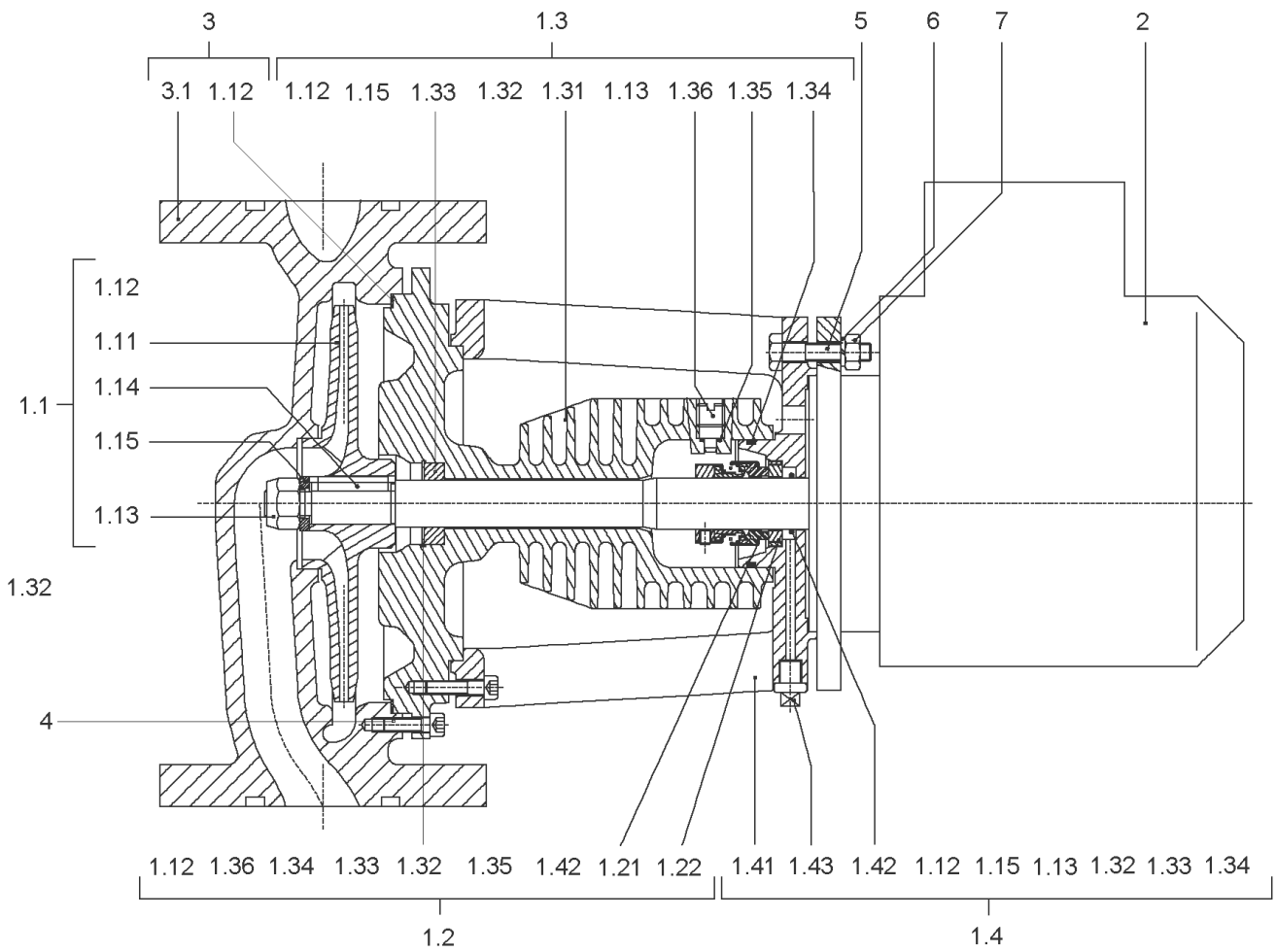
Spare parts motor 1,1/4/90 IE2

Item	Description	Quantity
LS	MOTOR 1,1-4T24B5-90F13-RU-A18X237-IE2-LS	1
Note: spare parts on request /Ersatzteile auf Anfrage /pieces de rechange sur demande		
ATB	Motor 1,1-4T24B5-90F13RU-A18x237-IE2ATB	1



Motor 1,1-4T24B5-90F13RU-A18x237-IE2ATB

Item	Article no.	Description	Quantity
2.1	2112921	JOINT RING CIRCULAR 25X35X4 ATB VP.	1
2.2	2164166	Capacitor 25µF 400VDB VP.	1
2.3	2096256	SHIM BALL BEARING BG90/100 ATB VP.	1
2.4	121083998	BALL BEARING 6205/2Z-C3 (HT) VP.	1
2.5	121083998	BALL BEARING 6205/2Z-C3 (HT) VP.	1
2.6	2123946	END SHIELD BG90/100 N.D.E.ATB VP.	1
2.7	2112674	SCREW END SHIELD M5X190 ATB(4 PIECES)	1
2.8	2123911	FAN WHEEL BG90 ATB KIT	1
2.8A		> FAN WHEEL BG90 721183 ATB	1
2.8B	2047016	> CORRUGATED SLEEVE RING BG90/100 ATB VP.	1
Note: Please give the data from type plate of the motor			
2.9	2150919	Fan housing BG90/100 RAL7001 ATB VP.	1
2.10	2124004	TERMINAL BOX CPL.BG90 ATB KIT	1
2.10A	2114270	> Term.box cover+gasket BG90-112 ATB VP.	1
Note: Please give the data from type plate of the motor			
2.10B	2096239	> GASKETS TERMINAL BOX BG90-112 ATB VP.	1
Note: Please give the data from type plate of the motor			
2.10C	2150996	> Terminal board cpl.BG56-132 ATB VP.	1
Note: Please give the data from type plate of the motor			
2.11	2112677	CIRCLIP 52X2 J ATB VP.	1
2.12	2112922	CIRCLIP 25X1,2 DIN471 ATB VP.	1
2.13	2096272	SPACER DISC BG80-100 ATB VP.	1



IPH-O65/125-2,2/2-IE1 (4089393)

Item	Article no.	Description	Quantity
1.1	2051154	IMPELLER IPH-O65/125 KIT	1
1.11		> IMPELLER IPH65/125(124) FGL BALANCED	1
1.12	2162632	> Flat gasket 173X165X1,5 C-4509 VP.	1
1.13	2162645	> Nut HEWI12X125 8 A2A VP.	1
1.14	2162646	> Key C 6X6X32 112 VP.	1
1.15	2162644	> Washer B12.5A25C4 VP.	1
1.2	4094357	MECHANICAL SEAL IPH-O KIT	1
1.12	2162632	> Flat gasket 173X165X1,5 C-4509 VP.	1
1.21		> ROTAT-RING-22.36.31NBR31.14.54-CYCLAM	1
1.22		> 22.37.6IN64.14INTERB.CYCLAM	1
1.32	2163927	> Circlip D.35X1.5 VP.	1
1.33	2150975	> Retaining ring IPH VP.	1
1.34	2163928	> O-Ring D.50X3 DF801 VP.	1
1.35	2163930	> O-Ring D.4,9X1,9 DF1438 VP.	1
1.36	2163932	> Venting screw IPH VP.	1
1.42	2163933	> Gasket D.20X2 DF801 VP.	1
1.3	2051148	COOLANT HOUSING IPH-O65-80/110-125 KIT	1
1.12	2162632	> Flat gasket 173X165X1,5 C-4509 VP.	1
1.13	2162645	> Nut HEWI12X125 8 A2A VP.	1
1.15	2162644	> Washer B12.5A25C4 VP.	1
1.31		> COOLING CAS.IPH20/160+65-80/110-125PAINT	1
1.32	2163927	> Circlip D.35X1.5 VP.	1
1.33	2150975	> Retaining ring IPH VP.	1
1.34	2163928	> O-Ring D.50X3 DF801 VP.	1
1.35	2163930	> O-Ring D.4,9X1,9 DF1438 VP.	1
1.36	2163932	> Venting screw IPH VP.	1
1.4	2051141	INTERMEDIATE PIECE IPH-O KIT	1
1.12	2162632	> Flat gasket 173X165X1,5 C-4509 VP.	1
1.13	2162645	> Nut HEWI12X125 8 A2A VP.	1
1.15	2162644	> Washer B12.5A25C4 VP.	1
1.32	2163927	> Circlip D.35X1.5 VP.	1
1.33	2150975	> Retaining ring IPH VP.	1
1.34	2163928	> O-Ring D.50X3 DF801 VP.	1
1.41		> LANTERN P130X110-F196 (IPH20/65/80)PAINT	1

IPH-O65/125-2,2/2-IE1 (4089393)

Item	Article no.	Description	Quantity
1.42	2163933	> Gasket D.20X2 DF801 VP.	1
1.43	2163934	> Plug 1/8" GF290 FM VP.	1
2	2174746	Motor 2,2-2T24B5-90F13RU-A18x237-IE3 VP.	1
2		SPARE PARTS MOTOR BG90 LS IE1	1
		> END SHIELD BG90 D.E.LS(IPH-W/-O)VP.	1
Note: no longer available / nicht mehr lieferbar / ne plus disponible			
		> END SHIELD BG80-90 N.D.E.LS(IPH-W/-O)VP.	1
Note: no longer available / nicht mehr lieferbar / ne plus disponible			
	121083998	> BALL BEARING 6205/2Z-C3 (HT) VP.	1
Note: Please give the data from type plate of the motor			
	121084499	> BALL BEARING 6204/2Z-C3 (HT) VP.	1
Note: Please give the data from type plate of the motor			
	2107568	> TERMINAL BOX BG80-112 LS(IPH-W/-O)VP.	1
Note: Please give the data from type plate of the motor			
	2107596	> TERMINAL BOARD BG80-112 LS(IPH-W/-O)VP.	1
Note: Please give the data from type plate of the motor			
	2106307	> FAN WHEEL BG90-112 LS(IPH-W/-O)VP.	1
Note: Please give the data from type plate of the motor			
	2106306	> Fan hood BG90 LS VP.	1
Note: Please give the data from type plate of the motor			
2		Spare parts motor 2,2/2/90 IE2	1
2		Spare parts motor: on request for IE3	1
3	2051153	PH.IPH-O65/125-1,1+/110-125-2,2 KIT	1
1.12	2162632	> Flat gasket 173X165X1,5 C-4509 VP.	1
3.1		> PUMP HOUSING IPH65/125 PAINTED	1
4	2106311	SCREW M8X30 ISO4762 12.9 (4 PIECES)	1
5	2123552	SCREW M8X40 ISO4762 8.8 (4 PIECES)	1
6	2163938	Contact washer 8x16x1,4 Steel VP.	1
7	2112817	NUT M8-8 ISO4032 GEOMET (4 PIECES)	1
	2064424	COUNTER FLANGE IPH-O DN65 KIT	1
		> Flange EN1092-1/11C/DN65 PN25	1
	2163944	> Flat gasket D.109x95x1,5 C-4509 VP.	1

Motor-Typenschild/ Motor type plate/ Plaque identité moteur

Bei Ersatzteilbestellung Motor-Nummer angeben!

Indicate motor number for order of spare parts!

Pour une commande de pièces détachées, donner le numéro du moteur!

LS

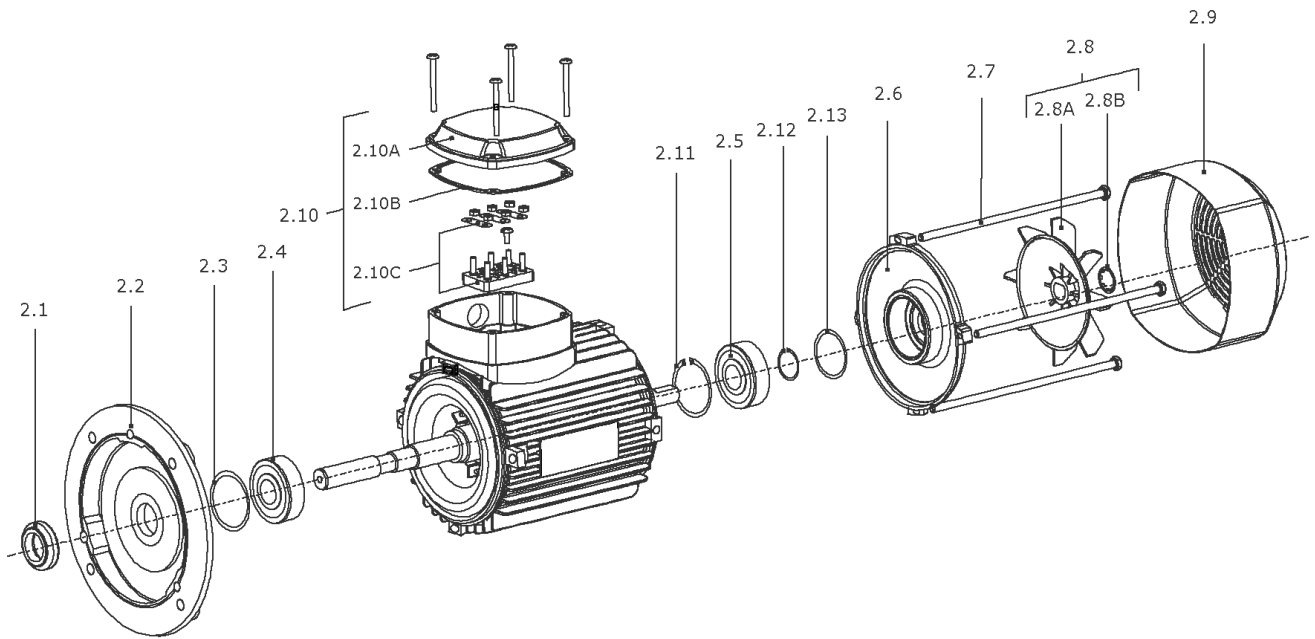
		3~LSES80L T		CE					
SOMER		N° 216784 XD 001		IE2					
IP 55 1K08 cl.F 40° C SS1		11kg		80,6					
○	V	Hz	min-1	kW	cosP	A	V	Λ	○
Δ	230	50	2870	1.10	0.85	3.00			
人	400	50	2870	1.10	0.85	2.30			

ATB

		CE				
3-Mot	LF 80/2Z-11 IE2	/0609				
S1	IMB5	2280776	-0001 11767A			
IP 55	Th.Cl. 155(F)					
○	Schwinggroessenstufe A		○			
Wilo-Nr. 2118936						
kW	V	Hz	A	cos φ	1/min	
1,10	YΔ 400/230	50	2,25/3,90	0.86	2880	IE2-79,6
1,10	YΔ 460/265	60	1,95/3,40	0.85	3490	IE2-82,5
IE75//50		kg	EN 60034		IE 2	

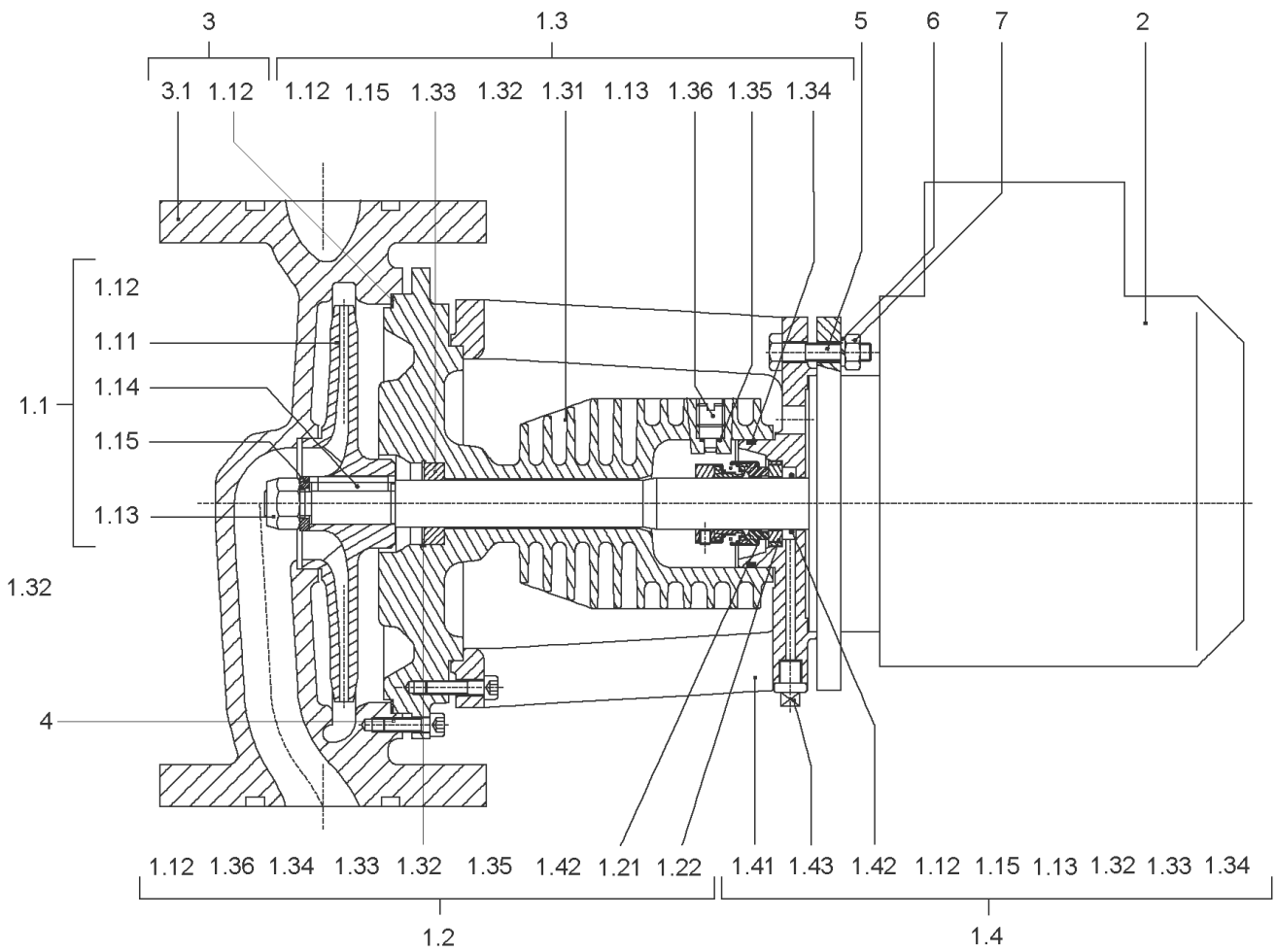
Spare parts motor 2,2/2/90 IE2

Item	Description	Quantity
LS	MOTOR 2,2-2T24B5-90F13-RU-A18X237-IE2-LS	1
ATB	Motor 2,2-2T24B5-90F13RU-A18x237-IE2ATB	1



Motor 2,2-2T24B5-90F13RU-A18x237-IE2ATB

Item	Article no.	Description	Quantity
2.1	2112921	JOINT RING CIRCULAR 25X35X4 ATB VP.	1
2.2	2164166	Capacitor 25µF 400VDB VP.	1
2.3	2096256	SHIM BALL BEARING BG90/100 ATB VP.	1
2.4	121083998	BALL BEARING 6205/2Z-C3 (HT) VP.	1
2.5	121083998	BALL BEARING 6205/2Z-C3 (HT) VP.	1
2.6	2123946	END SHIELD BG90/100 N.D.E.ATB VP.	1
2.7	2112674	SCREW END SHIELD M5X190 ATB(4 PIECES)	1
2.8	2123911	FAN WHEEL BG90 ATB KIT	1
2.8A		> FAN WHEEL BG90 721183 ATB	1
2.8B	2047016	> CORRUGATED SLEEVE RING BG90/100 ATB VP.	1
Note: Please give the data from type plate of the motor			
2.9	2150919	Fan housing BG90/100 RAL7001 ATB VP.	1
2.10	2124004	TERMINAL BOX CPL.BG90 ATB KIT	1
2.10A	2114270	> Term.box cover+gasket BG90-112 ATB VP.	1
Note: Please give the data from type plate of the motor			
2.10B	2096239	> GASKETS TERMINAL BOX BG90-112 ATB VP.	1
Note: Please give the data from type plate of the motor			
2.10C	2150996	> Terminal board cpl.BG56-132 ATB VP.	1
Note: Please give the data from type plate of the motor			
2.11	2112677	CIRCLIP 52X2 J ATB VP.	1
2.12	2112922	CIRCLIP 25X1,2 DIN471 ATB VP.	1
2.13	2096272	SPACER DISC BG80-100 ATB VP.	1



IPH-O65/140-1,1/4-IE1 (4089402)

Item	Article no.	Description	Quantity
1.1	2051152	IMPELLER IPH-O65/140/1,1+4KW KIT	1
1.11		> IMPELLER IPH65/140(145) FGL BALANCED	1
1.12	2162632	> Flat gasket 173X165X1,5 C-4509 VP.	1
1.13	2162645	> Nut HEWI12X125 8 A2A VP.	1
1.14	2162646	> Key C 6X6X32 112 VP.	1
1.15	2162644	> Washer B12.5A25C4 VP.	1
1.2	4094357	MECHANICAL SEAL IPH-O KIT	1
1.12	2162632	> Flat gasket 173X165X1,5 C-4509 VP.	1
1.21		> ROTAT-RING-22.36.31NBR31.14.54-CYCLAM	1
1.22		> 22.37.6IN64.14INTERB.CYCLAM	1
1.32	2163927	> Circlip D.35X1.5 VP.	1
1.33	2150975	> Retaining ring IPH VP.	1
1.34	2163928	> O-Ring D.50X3 DF801 VP.	1
1.35	2163930	> O-Ring D.4,9X1,9 DF1438 VP.	1
1.36	2163932	> Venting screw IPH VP.	1
1.42	2163933	> Gasket D.20X2 DF801 VP.	1
1.3	2051151	COOLANT HOUSING IPH-O65/140-160 KIT	1
1.12	2162632	> Flat gasket 173X165X1,5 C-4509 VP.	1
1.13	2162645	> Nut HEWI12X125 8 A2A VP.	1
1.15	2162644	> Washer B12.5A25C4 VP.	1
1.31		> COOLING CASASING IPH65/140-160 PAINTED	1
1.32	2163927	> Circlip D.35X1.5 VP.	1
1.33	2150975	> Retaining ring IPH VP.	1
1.34	2163928	> O-Ring D.50X3 DF801 VP.	1
1.35	2163930	> O-Ring D.4,9X1,9 DF1438 VP.	1
1.36	2163932	> Venting screw IPH VP.	1
1.4	2051141	INTERMEDIATE PIECE IPH-O KIT	1
1.12	2162632	> Flat gasket 173X165X1,5 C-4509 VP.	1
1.13	2162645	> Nut HEWI12X125 8 A2A VP.	1
1.15	2162644	> Washer B12.5A25C4 VP.	1
1.32	2163927	> Circlip D.35X1.5 VP.	1
1.33	2150975	> Retaining ring IPH VP.	1
1.34	2163928	> O-Ring D.50X3 DF801 VP.	1
1.41		> LANTERN P130X110-F196 (IPH20/65/80)PAINT	1

IPH-O65/140-1,1/4-IE1 (4089402)

Item	Article no.	Description	Quantity
1.42	2163933	> Gasket D.20X2 DF801 VP.	1
1.43	2163934	> Plug 1/8" GF290 FM VP.	1
2	2174744	Motor 1,1-4T24B5-90F13RU-A18x237-IE3 VP.	1
2		SPARE PARTS MOTOR BG90 LS IE1	1
		> END SHIELD BG90 D.E.LS(IPH-W/-O)VP.	1
Note: no longer available / nicht mehr lieferbar / ne plus disponible			
		> END SHIELD BG80-90 N.D.E.LS(IPH-W/-O)VP.	1
Note: no longer available / nicht mehr lieferbar / ne plus disponible			
	121083998	> BALL BEARING 6205/2Z-C3 (HT) VP.	1
Note: Please give the data from type plate of the motor			
	121084499	> BALL BEARING 6204/2Z-C3 (HT) VP.	1
Note: Please give the data from type plate of the motor			
	2107568	> TERMINAL BOX BG80-112 LS(IPH-W/-O)VP.	1
Note: Please give the data from type plate of the motor			
	2107596	> TERMINAL BOARD BG80-112 LS(IPH-W/-O)VP.	1
Note: Please give the data from type plate of the motor			
	2106307	> FAN WHEEL BG90-112 LS(IPH-W/-O)VP.	1
Note: Please give the data from type plate of the motor			
	2106306	> Fan hood BG90 LS VP.	1
Note: Please give the data from type plate of the motor			
2		Spare parts motor 1,1/4/90 IE2	1
2		Spare parts motor: on request for IE3	1
3	2051149	PUMP HOUSING IPH-O65/140-160 KIT	1
1.12	2162632	> Flat gasket 173X165X1,5 C-4509 VP.	1
3.1		> PUMP HOUSING IPH65/160 PAINTED	1
4	2106311	SCREW M8X30 ISO4762 12.9 (4 PIECES)	1
5	2123552	SCREW M8X40 ISO4762 8.8 (4 PIECES)	1
6	2163938	Contact washer 8x16x1,4 Steel VP.	1
7	2112817	NUT M8-8 ISO4032 GEOMET (4 PIECES)	1
	2064424	COUNTER FLANGE IPH-O DN65 KIT	1
		> Flange EN1092-1/11C/DN65 PN25	1
	2163944	> Flat gasket D.109x95x1,5 C-4509 VP.	1

Spare parts motor 1,1/4/90 IE2

Motor-Typenschild/ Motor type plate/ Plaque identité moteur

Bei Ersatzteilbestellung Motor-Nummer angeben!

Indicate motor number for order of spare parts!

Pour une commande de pièces détachées, donner le numéro du moteur!

LS

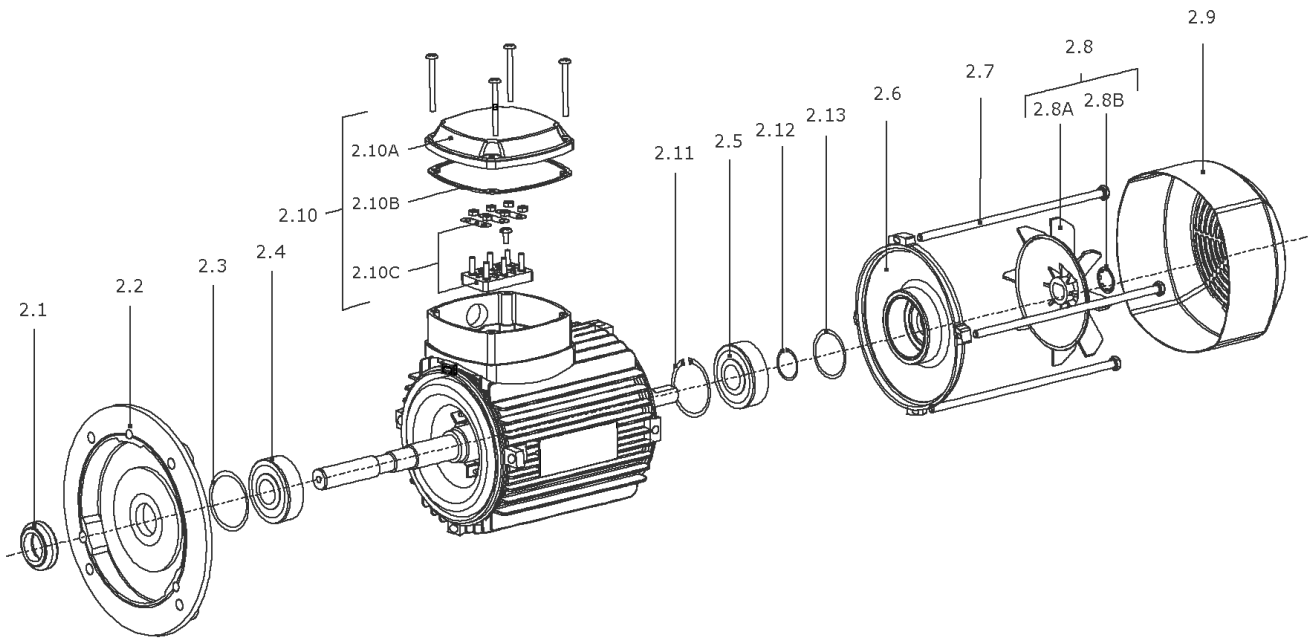
		3~LSES80L T							
SOMER		N° 216784 XD 001		IE2					
IP 55 1K08 cl.F 40° C SS1		11kg		80,6					
○	V	Hz	min-1	kW	cosP	A	V	Λ	○
Δ	230	50	2870	1.10	0.85	3.00			
人	400	50	2870	1.10	0.85	2.30			

ATB

3-Mot	LF 80/2Z-11 IE2	/0609			
S1	IMB5	2280776	-0001	11767A	
IP 55	Th. Cl. 155(F)				
○	Schwinggroessenstufe A				○
Wilo-Nr. 2118936					
kW	V	Hz	A	cos φ	1/min
1,10	YΔ 400/230	50	2,25/3,90	0.86	2880 IE2-79,6
1,10	YΔ 460/265	60	1,95/3,40	0.85	3490 IE2-82,5
IE75//50		kg		EN 60034 IE 2	

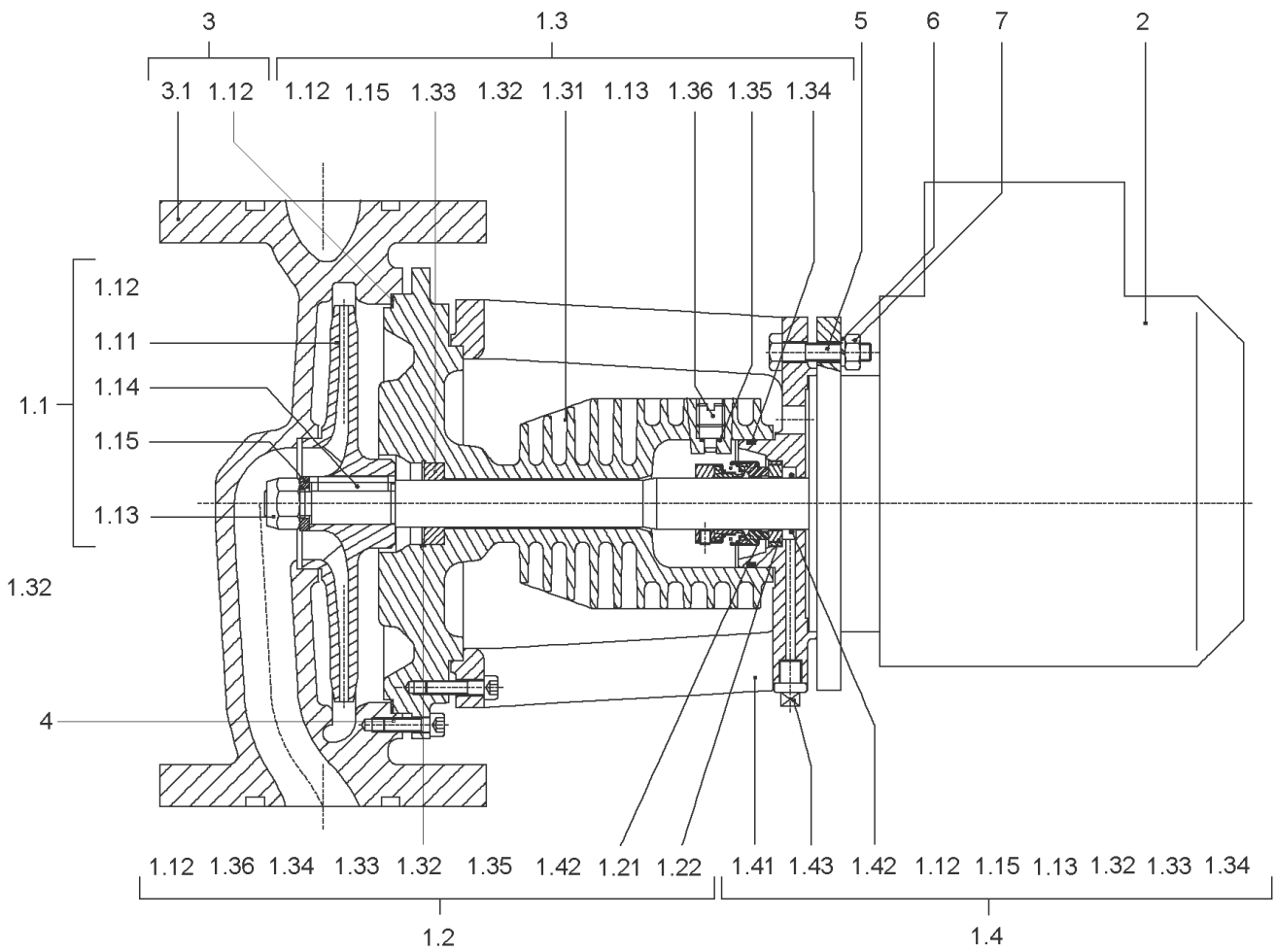
Spare parts motor 1,1/4/90 IE2

Item	Description	Quantity
LS	MOTOR 1,1-4T24B5-90F13-RU-A18X237-IE2-LS	1
Note: spare parts on request /Ersatzteile auf Anfrage /pieces de rechange sur demande		
ATB	Motor 1,1-4T24B5-90F13RU-A18x237-IE2ATB	1



Motor 1,1-4T24B5-90F13RU-A18x237-IE2ATB

Item	Article no.	Description	Quantity
2.1	2112921	JOINT RING CIRCULAR 25X35X4 ATB VP.	1
2.2	2164166	Capacitor 25µF 400VDB VP.	1
2.3	2096256	SHIM BALL BEARING BG90/100 ATB VP.	1
2.4	121083998	BALL BEARING 6205/2Z-C3 (HT) VP.	1
2.5	121083998	BALL BEARING 6205/2Z-C3 (HT) VP.	1
2.6	2123946	END SHIELD BG90/100 N.D.E.ATB VP.	1
2.7	2112674	SCREW END SHIELD M5X190 ATB(4 PIECES)	1
2.8	2123911	FAN WHEEL BG90 ATB KIT	1
2.8A		> FAN WHEEL BG90 721183 ATB	1
2.8B	2047016	> CORRUGATED SLEEVE RING BG90/100 ATB VP.	1
Note: Please give the data from type plate of the motor			
2.9	2150919	Fan housing BG90/100 RAL7001 ATB VP.	1
2.10	2124004	TERMINAL BOX CPL.BG90 ATB KIT	1
2.10A	2114270	> Term.box cover+gasket BG90-112 ATB VP.	1
Note: Please give the data from type plate of the motor			
2.10B	2096239	> GASKETS TERMINAL BOX BG90-112 ATB VP.	1
Note: Please give the data from type plate of the motor			
2.10C	2150996	> Terminal board cpl.BG56-132 ATB VP.	1
Note: Please give the data from type plate of the motor			
2.11	2112677	CIRCLIP 52X2 J ATB VP.	1
2.12	2112922	CIRCLIP 25X1,2 DIN471 ATB VP.	1
2.13	2096272	SPACER DISC BG80-100 ATB VP.	1



IPH-O65/140-4/2-IE1 (4089394)

Item	Article no.	Description	Quantity
1.1	2051152	IMPELLER IPH-O65/140/1,1+4KW KIT	1
1.11		> IMPELLER IPH65/140(145) FGL BALANCED	1
1.12	2162632	> Flat gasket 173X165X1,5 C-4509 VP.	1
1.13	2162645	> Nut HEWI12X125 8 A2A VP.	1
1.14	2162646	> Key C 6X6X32 112 VP.	1
1.15	2162644	> Washer B12.5A25C4 VP.	1
1.2	4094357	MECHANICAL SEAL IPH-O KIT	1
1.12	2162632	> Flat gasket 173X165X1,5 C-4509 VP.	1
1.21		> ROTAT-RING-22.36.31NBR31.14.54-CYCLAM	1
1.22		> 22.37.6IN64.14INTERB.CYCLAM	1
1.32	2163927	> Circlip D.35X1.5 VP.	1
1.33	2150975	> Retaining ring IPH VP.	1
1.34	2163928	> O-Ring D.50X3 DF801 VP.	1
1.35	2163930	> O-Ring D.4,9X1,9 DF1438 VP.	1
1.36	2163932	> Venting screw IPH VP.	1
1.42	2163933	> Gasket D.20X2 DF801 VP.	1
1.3	2051151	COOLANT HOUSING IPH-O65/140-160 KIT	1
1.12	2162632	> Flat gasket 173X165X1,5 C-4509 VP.	1
1.13	2162645	> Nut HEWI12X125 8 A2A VP.	1
1.15	2162644	> Washer B12.5A25C4 VP.	1
1.31		> COOLING CASASING IPH65/140-160 PAINTED	1
1.32	2163927	> Circlip D.35X1.5 VP.	1
1.33	2150975	> Retaining ring IPH VP.	1
1.34	2163928	> O-Ring D.50X3 DF801 VP.	1
1.35	2163930	> O-Ring D.4,9X1,9 DF1438 VP.	1
1.36	2163932	> Venting screw IPH VP.	1
1.4	2051145	INTERMED.PIECE IPH-O65-80 4KW KIT	1
1.12	2162632	> Flat gasket 173X165X1,5 C-4509 VP.	1
1.13	2162645	> Nut HEWI12X125 8 A2A VP.	1
1.15	2162644	> Washer B12.5A25C4 VP.	1
1.32	2163927	> Circlip D.35X1.5 VP.	1
1.33	2150975	> Retaining ring IPH VP.	1
1.34	2163928	> O-Ring D.50X3 DF801 VP.	1
1.41		> LANTERN P215X180-F196 (IPH65/80) PAINTED	1

IPH-O65/140-4/2-IE1 (4089394)

Item	Article no.	Description	Quantity
1.42	2163933	> Gasket D.20X2 DF801 VP.	1
1.43	2163936	> Plug 1/4" VP.	1
2	2174748	Motor 4-2T24B5-112F21RU-A18x247-IE3 VP.	1
2		SPARE PARTS MOTOR BG112 LS IE1	1
		> END SHIELD BG112 D.E.LS(IPH-W/-O)VP.	1
Note: no longer available / nicht mehr lieferbar / ne plus disponible			
		> END SHIELD BG112 N.D.E.LS(IPH-W/-O)VP.	1
Note: no longer available / nicht mehr lieferbar / ne plus disponible			
	121084190	> BALL BEARING 6206/2Z-C3 (HT) VP.	1
Note: Please give the data from type plate of the motor			
	121083998	> BALL BEARING 6205/2Z-C3 (HT) VP.	1
Note: Please give the data from type plate of the motor			
	2107568	> TERMINAL BOX BG80-112 LS(IPH-W/-O)VP.	1
Note: Please give the data from type plate of the motor			
	2107596	> TERMINAL BOARD BG80-112 LS(IPH-W/-O)VP.	1
Note: Please give the data from type plate of the motor			
	2106307	> FAN WHEEL BG90-112 LS(IPH-W/-O)VP.	1
Note: Please give the data from type plate of the motor			
	2107576	> FAN HOOD BG112 LS(IPH-W/-O)VP.	1
Note: Please give the data from type plate of the motor			
2		Spare parts motor 4/2/112 IE2	1
2		Spare parts motor: on request for IE3	1
3	2051149	PUMP HOUSING IPH-O65/140-160 KIT	1
1.12	2162632	> Flat gasket 173X165X1,5 C-4509 VP.	1
3.1		> PUMP HOUSING IPH65/160 PAINTED	1
4	2106311	SCREW M8X30 ISO4762 12.9 (4 PIECES)	1
5	2123555	SCREW M12x50 ISO4762 8.8 (4 PIECES)	1
6	2123557	WASHER CS-12.4-24-1.6-NFE25 (4 PIECES)	1
7	2123556	NUT M12-8 ISO4032 GEOMET (4 PIECES)	1
	2064424	COUNTER FLANGE IPH-O DN65 KIT	1
		> Flange EN1092-1/11C/DN65 PN25	1
	2163944	> Flat gasket D.109x95x1,5 C-4509 VP.	1

Motor-Typenschild/ Motor type plate/ Plaque identité moteur

Bei Ersatzteilbestellung Motor-Nummer angeben!

Indicate motor number for order of spare parts!

Pour une commande de pièces détachées, donner le numéro du moteur!

LS

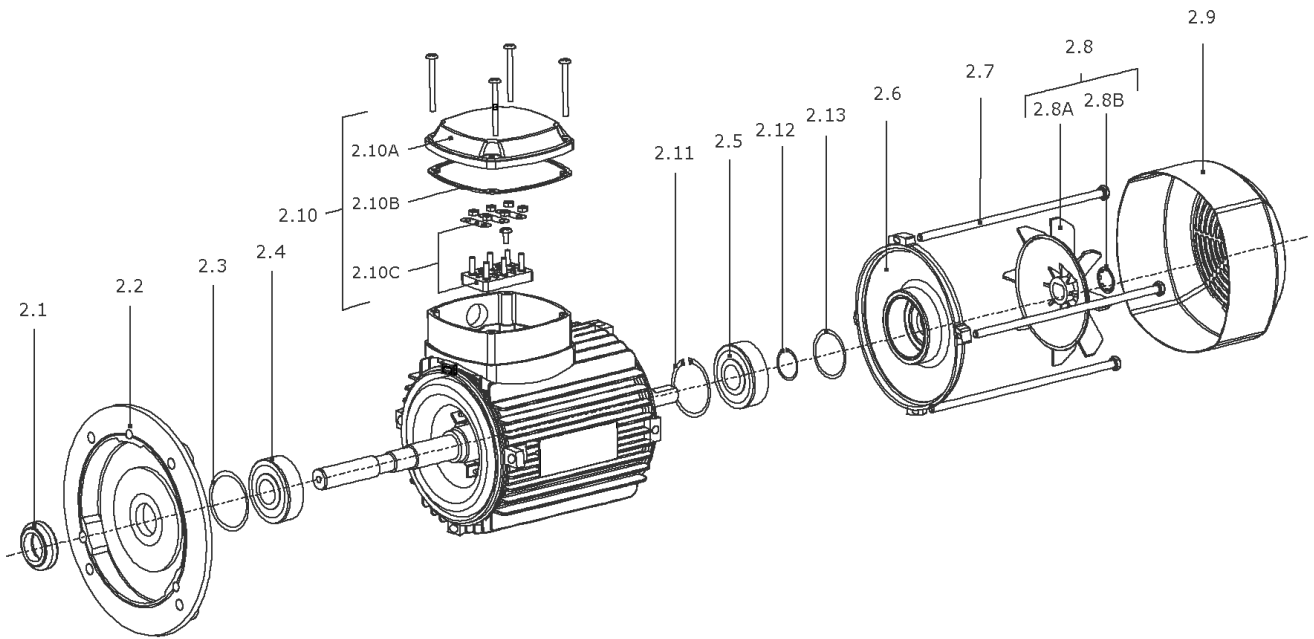
		3~LSES80L T		CE					
SOMER		N° 216784 XD 001		IE2					
IP 55 1K08 cl.F 40° C SS1		11kg		80,6					
○	V	Hz	min-1	kW	cosP	A	V	Λ	○
△	230	50	2870	1.10	0.85	3.00			
人	400	50	2870	1.10	0.85	2.30			

ATB

		CE				
3-Mot	LF 80/2Z-11 IE2	/0609				
S1	IMB5	2280776	-0001 11767A			
IP 55	Th.Cl. 155(F)					
○	Schwinggroessenstufe A		○			
Wilo-Nr. 2118936						
kW	V	Hz	A	cos φ	1/min	
1,10	YΔ 400/230	50	2,25/3,90	0.86	2880	IE2-79,6
1,10	YΔ 460/265	60	1,95/3,40	0.85	3490	IE2-82,5
IE75//50		kg	EN 60034		IE 2	

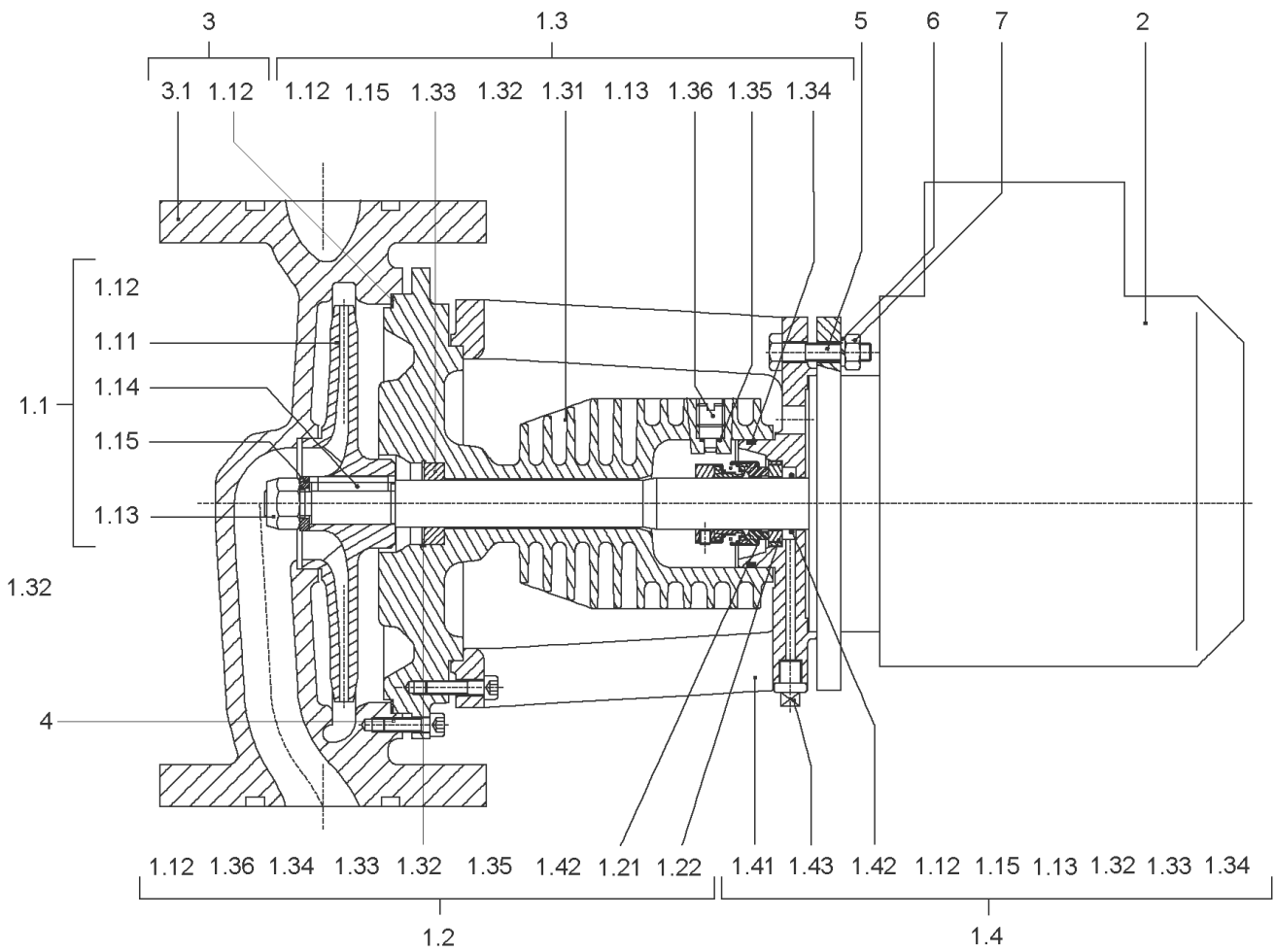
Spare parts motor 4/2/112 IE2

Item	Description	Quantity
LS	MOTOR 4-2T24B5-112F21-RU-A18X247-IE2-LS	1
Note: spare parts on request /Ersatzteile auf Anfrage /pieces de rechange sur demande		
ATB	Motor 4-2T24B5-112F21RU-A18x247-IE2ATB	1



Motor 4-2T24B5-112F21RU-A18x247-IE2ATB

Item	Article no.	Description	Quantity
2.1	2164171	Joint ring circular 35X51X7 ATB VP.	1
2.2	2145382	End Shield BG112 D.E.ATB VP.	1
2.3	2096258	SHIM BALL BEARING BG90-112 ATB VP.	1
2.4	121084190	BALL BEARING 6206/2Z-C3 (HT) VP.	1
2.5	121084190	BALL BEARING 6206/2Z-C3 (HT) VP.	1
2.6	2045002	END SHIELD BG112 N.D.E.ATB VP.	1
2.7	2111445	SCREW END SHILD M6X220 ATB(4 PIECES)	1
2.8	2123911	FAN WHEEL BG90 ATB KIT	1
2.8A		> FAN WHEEL BG90 721183 ATB	1
2.8B	2047016	> CORRUGATED SLEEVE RING BG90/100 ATB VP.	1
Note: Please give the data from type plate of the motor			
2.9	2164192	Fan hood BG112 RAL7001 ATB VP.	1
2.10	2164178	Terminal box cpl.BG112 ATB KIT	1
2.10A	2114270	> Term.box cover+gasket BG90-112 ATB VP.	1
Note: Please give the data from type plate of the motor			
2.10B	2096239	> GASKETS TERMINAL BOX BG90-112 ATB VP.	1
Note: Please give the data from type plate of the motor			
2.10C	2150996	> Terminal board cpl.BG56-132 ATB VP.	1
Note: Please give the data from type plate of the motor			
2.11	2046411	CIRCLIP 62X2 DIN472 FST	1
2.13	2096273	SPACER DISC BG90/112 ATB VP.	1



IPH-O65/160-1,1/4-IE1 (4089403)

Item	Article no.	Description	Quantity
1.1	2051150	IMPELLER IPH-O65/160 KIT	1
1.11		> IMPELLER IPH65/160(159) FGL BALANCED	1
1.12	2162632	> Flat gasket 173X165X1,5 C-4509 VP.	1
1.13	2162645	> Nut HEWI12X125 8 A2A VP.	1
1.14	2162646	> Key C 6X6X32 112 VP.	1
1.15	2162644	> Washer B12.5A25C4 VP.	1
1.2	4094357	MECHANICAL SEAL IPH-O KIT	1
1.12	2162632	> Flat gasket 173X165X1,5 C-4509 VP.	1
1.21		> ROTAT-RING-22.36.31NBR31.14.54-CYCLAM	1
1.22		> 22.37.6IN64.14INTERB.CYCLAM	1
1.32	2163927	> Circlip D.35X1.5 VP.	1
1.33	2150975	> Retaining ring IPH VP.	1
1.34	2163928	> O-Ring D.50X3 DF801 VP.	1
1.35	2163930	> O-Ring D.4,9X1,9 DF1438 VP.	1
1.36	2163932	> Venting screw IPH VP.	1
1.42	2163933	> Gasket D.20X2 DF801 VP.	1
1.3	2051151	COOLANT HOUSING IPH-O65/140-160 KIT	1
1.12	2162632	> Flat gasket 173X165X1,5 C-4509 VP.	1
1.13	2162645	> Nut HEWI12X125 8 A2A VP.	1
1.15	2162644	> Washer B12.5A25C4 VP.	1
1.31		> COOLING CASASING IPH65/140-160 PAINTED	1
1.32	2163927	> Circlip D.35X1.5 VP.	1
1.33	2150975	> Retaining ring IPH VP.	1
1.34	2163928	> O-Ring D.50X3 DF801 VP.	1
1.35	2163930	> O-Ring D.4,9X1,9 DF1438 VP.	1
1.36	2163932	> Venting screw IPH VP.	1
1.4	2051141	INTERMEDIATE PIECE IPH-O KIT	1
1.12	2162632	> Flat gasket 173X165X1,5 C-4509 VP.	1
1.13	2162645	> Nut HEWI12X125 8 A2A VP.	1
1.15	2162644	> Washer B12.5A25C4 VP.	1
1.32	2163927	> Circlip D.35X1.5 VP.	1
1.33	2150975	> Retaining ring IPH VP.	1
1.34	2163928	> O-Ring D.50X3 DF801 VP.	1
1.41		> LANTERN P130X110-F196 (IPH20/65/80)PAINT	1

IPH-O65/160-1,1/4-IE1 (4089403)

Item	Article no.	Description	Quantity
1.42	2163933	> Gasket D.20X2 DF801 VP.	1
1.43	2163934	> Plug 1/8" GF290 FM VP.	1
2	2174744	Motor 1,1-4T24B5-90F13RU-A18x237-IE3 VP.	1
2		SPARE PARTS MOTOR BG90 LS IE1	1
		> END SHIELD BG90 D.E.LS(IPH-W/-O)VP.	1
Note: no longer available / nicht mehr lieferbar / ne plus disponible			
		> END SHIELD BG80-90 N.D.E.LS(IPH-W/-O)VP.	1
Note: no longer available / nicht mehr lieferbar / ne plus disponible			
	121083998	> BALL BEARING 6205/2Z-C3 (HT) VP.	1
Note: Please give the data from type plate of the motor			
	121084499	> BALL BEARING 6204/2Z-C3 (HT) VP.	1
Note: Please give the data from type plate of the motor			
	2107568	> TERMINAL BOX BG80-112 LS(IPH-W/-O)VP.	1
Note: Please give the data from type plate of the motor			
	2107596	> TERMINAL BOARD BG80-112 LS(IPH-W/-O)VP.	1
Note: Please give the data from type plate of the motor			
	2106307	> FAN WHEEL BG90-112 LS(IPH-W/-O)VP.	1
Note: Please give the data from type plate of the motor			
	2106306	> Fan hood BG90 LS VP.	1
Note: Please give the data from type plate of the motor			
2		Spare parts motor 1,1/4/90 IE2	1
2		Spare parts motor: on request for IE3	1
3	2051149	PUMP HOUSING IPH-O65/140-160 KIT	1
1.12	2162632	> Flat gasket 173X165X1,5 C-4509 VP.	1
3.1		> PUMP HOUSING IPH65/160 PAINTED	1
4	2106311	SCREW M8X30 ISO4762 12.9 (4 PIECES)	1
5	2123552	SCREW M8X40 ISO4762 8.8 (4 PIECES)	1
6	2163938	Contact washer 8x16x1,4 Steel VP.	1
7	2112817	NUT M8-8 ISO4032 GEOMET (4 PIECES)	1
	2064424	COUNTER FLANGE IPH-O DN65 KIT	1
		> Flange EN1092-1/11C/DN65 PN25	1
	2163944	> Flat gasket D.109x95x1,5 C-4509 VP.	1

Motor-Typenschild/ Motor type plate/ Plaque identité moteur

Bei Ersatzteilbestellung Motor-Nummer angeben!

Indicate motor number for order of spare parts!

Pour une commande de pièces détachées, donner le numéro du moteur!

LS

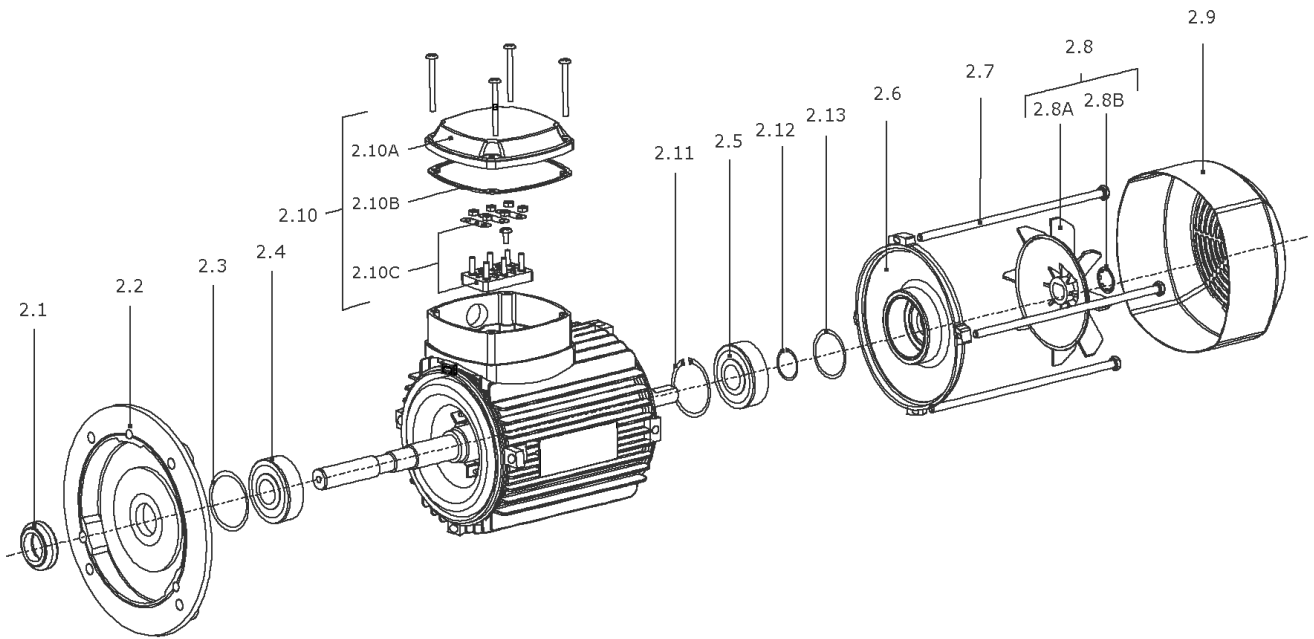
		3~LSES80L T							
		N° 216784 XD 001							
IP 55 1K08 cl.F 40° C SS1		11kg		IE2 80,6					
	V	Hz	min-1	kW	cosP	A	V	A	
Δ	230	50	2870	1.10	0.85	3.00			
λ	400	50	2870	1.10	0.85	2.30			

ATB

3-Mot	LF 80/2Z-11 IE2	/0609			
S1	IMB5	2280776	-0001	11767A	
IP 55	Th.Cl. 155(F)				
	Schwinggroessenstufe A				
Wilo-Nr. 2118936					
kW	V	Hz	A	cos Φ	1/min
1,10	Δ 400/230	50	2,25/3,90	0.86	2880 IE2-79,6
1,10	λ 460/265	60	1,95/3,40	0.85	3490 IE2-82,5
IE75//50		kg		EN 60034 IE 2	

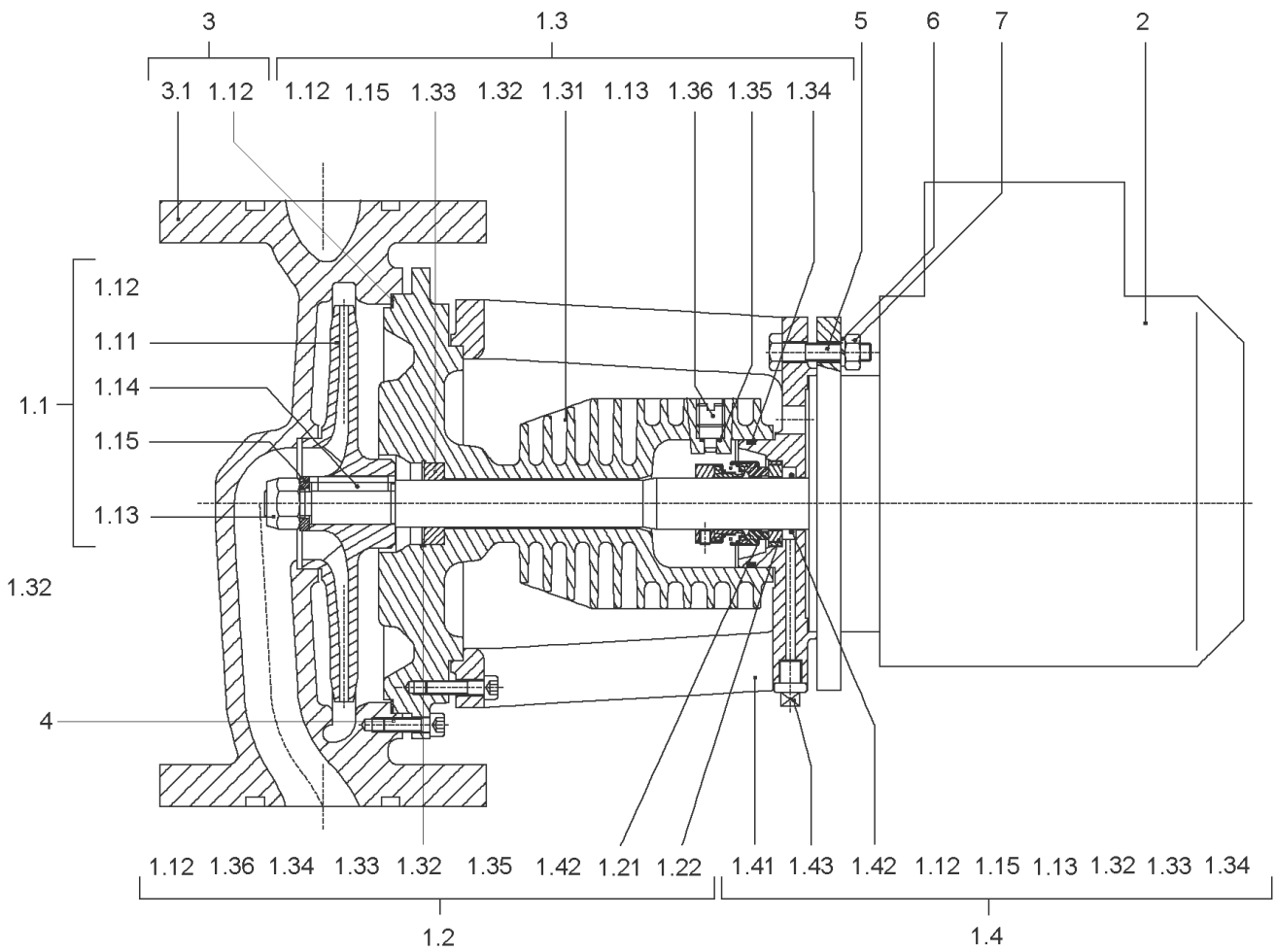
Spare parts motor 1,1/4/90 IE2

Item	Description	Quantity
LS	MOTOR 1,1-4T24B5-90F13-RU-A18X237-IE2-LS	1
Note: spare parts on request /Ersatzteile auf Anfrage /pieces de rechange sur demande		
ATB	Motor 1,1-4T24B5-90F13RU-A18x237-IE2ATB	1



Motor 1,1-4T24B5-90F13RU-A18x237-IE2ATB

Item	Article no.	Description	Quantity
2.1	2112921	JOINT RING CIRCULAR 25X35X4 ATB VP.	1
2.2	2164166	Capacitor 25µF 400VDB VP.	1
2.3	2096256	SHIM BALL BEARING BG90/100 ATB VP.	1
2.4	121083998	BALL BEARING 6205/2Z-C3 (HT) VP.	1
2.5	121083998	BALL BEARING 6205/2Z-C3 (HT) VP.	1
2.6	2123946	END SHIELD BG90/100 N.D.E.ATB VP.	1
2.7	2112674	SCREW END SHIELD M5X190 ATB(4 PIECES)	1
2.8	2123911	FAN WHEEL BG90 ATB KIT	1
2.8A		> FAN WHEEL BG90 721183 ATB	1
2.8B	2047016	> CORRUGATED SLEEVE RING BG90/100 ATB VP.	1
Note: Please give the data from type plate of the motor			
2.9	2150919	Fan housing BG90/100 RAL7001 ATB VP.	1
2.10	2124004	TERMINAL BOX CPL.BG90 ATB KIT	1
2.10A	2114270	> Term.box cover+gasket BG90-112 ATB VP.	1
Note: Please give the data from type plate of the motor			
2.10B	2096239	> GASKETS TERMINAL BOX BG90-112 ATB VP.	1
Note: Please give the data from type plate of the motor			
2.10C	2150996	> Terminal board cpl.BG56-132 ATB VP.	1
Note: Please give the data from type plate of the motor			
2.11	2112677	CIRCLIP 52X2 J ATB VP.	1
2.12	2112922	CIRCLIP 25X1,2 DIN471 ATB VP.	1
2.13	2096272	SPACER DISC BG80-100 ATB VP.	1



IPH-O65/160-4/2-IE1 (4089395)

Item	Article no.	Description	Quantity
1.1	2051150	IMPELLER IPH-O65/160 KIT	1
1.11		> IMPELLER IPH65/160(159) FGL BALANCED	1
1.12	2162632	> Flat gasket 173X165X1,5 C-4509 VP.	1
1.13	2162645	> Nut HEWI12X125 8 A2A VP.	1
1.14	2162646	> Key C 6X6X32 112 VP.	1
1.15	2162644	> Washer B12.5A25C4 VP.	1
1.2	4094357	MECHANICAL SEAL IPH-O KIT	1
1.12	2162632	> Flat gasket 173X165X1,5 C-4509 VP.	1
1.21		> ROTAT-RING-22.36.31NBR31.14.54-CYCLAM	1
1.22		> 22.37.6IN64.14INTERB.CYCLAM	1
1.32	2163927	> Circlip D.35X1.5 VP.	1
1.33	2150975	> Retaining ring IPH VP.	1
1.34	2163928	> O-Ring D.50X3 DF801 VP.	1
1.35	2163930	> O-Ring D.4,9X1,9 DF1438 VP.	1
1.36	2163932	> Venting screw IPH VP.	1
1.42	2163933	> Gasket D.20X2 DF801 VP.	1
1.3	2051151	COOLANT HOUSING IPH-O65/140-160 KIT	1
1.12	2162632	> Flat gasket 173X165X1,5 C-4509 VP.	1
1.13	2162645	> Nut HEWI12X125 8 A2A VP.	1
1.15	2162644	> Washer B12.5A25C4 VP.	1
1.31		> COOLING CASASING IPH65/140-160 PAINTED	1
1.32	2163927	> Circlip D.35X1.5 VP.	1
1.33	2150975	> Retaining ring IPH VP.	1
1.34	2163928	> O-Ring D.50X3 DF801 VP.	1
1.35	2163930	> O-Ring D.4,9X1,9 DF1438 VP.	1
1.36	2163932	> Venting screw IPH VP.	1
1.4	2051145	INTERMED.PIECE IPH-O65-80 4KW KIT	1
1.12	2162632	> Flat gasket 173X165X1,5 C-4509 VP.	1
1.13	2162645	> Nut HEWI12X125 8 A2A VP.	1
1.15	2162644	> Washer B12.5A25C4 VP.	1
1.32	2163927	> Circlip D.35X1.5 VP.	1
1.33	2150975	> Retaining ring IPH VP.	1
1.34	2163928	> O-Ring D.50X3 DF801 VP.	1
1.41		> LANTERN P215X180-F196 (IPH65/80) PAINTED	1

IPH-O65/160-4/2-IE1 (4089395)

Item	Article no.	Description	Quantity
1.42	2163933	> Gasket D.20X2 DF801 VP.	1
1.43	2163936	> Plug 1/4" VP.	1
2	2174748	Motor 4-2T24B5-112F21RU-A18x247-IE3 VP.	1
2		SPARE PARTS MOTOR BG112 LS IE1	1
		> END SHIELD BG112 D.E.LS(IPH-W/-O)VP.	1
Note: no longer available / nicht mehr lieferbar / ne plus disponible			
		> END SHIELD BG112 N.D.E.LS(IPH-W/-O)VP.	1
Note: no longer available / nicht mehr lieferbar / ne plus disponible			
	121084190	> BALL BEARING 6206/2Z-C3 (HT) VP.	1
Note: Please give the data from type plate of the motor			
	121083998	> BALL BEARING 6205/2Z-C3 (HT) VP.	1
Note: Please give the data from type plate of the motor			
	2107568	> TERMINAL BOX BG80-112 LS(IPH-W/-O)VP.	1
Note: Please give the data from type plate of the motor			
	2107596	> TERMINAL BOARD BG80-112 LS(IPH-W/-O)VP.	1
Note: Please give the data from type plate of the motor			
	2106307	> FAN WHEEL BG90-112 LS(IPH-W/-O)VP.	1
Note: Please give the data from type plate of the motor			
	2107576	> FAN HOOD BG112 LS(IPH-W/-O)VP.	1
Note: Please give the data from type plate of the motor			
2		Spare parts motor 4/2/112 IE2	1
2		Spare parts motor: on request for IE3	1
3	2051149	PUMP HOUSING IPH-O65/140-160 KIT	1
1.12	2162632	> Flat gasket 173X165X1,5 C-4509 VP.	1
3.1		> PUMP HOUSING IPH65/160 PAINTED	1
4	2106311	SCREW M8X30 ISO4762 12.9 (4 PIECES)	1
5	2123555	SCREW M12x50 ISO4762 8.8 (4 PIECES)	1
6	2123557	WASHER CS-12.4-24-1.6-NFE25 (4 PIECES)	1
7	2123556	NUT M12-8 ISO4032 GEOMET (4 PIECES)	1
	2064424	COUNTER FLANGE IPH-O DN65 KIT	1
		> Flange EN1092-1/11C/DN65 PN25	1
	2163944	> Flat gasket D.109x95x1,5 C-4509 VP.	1

Motor-Typenschild/ Motor type plate/ Plaque identité moteur

Bei Ersatzteilbestellung Motor-Nummer angeben!

Indicate motor number for order of spare parts!

Pour une commande de pièces détachées, donner le numéro du moteur!

LS

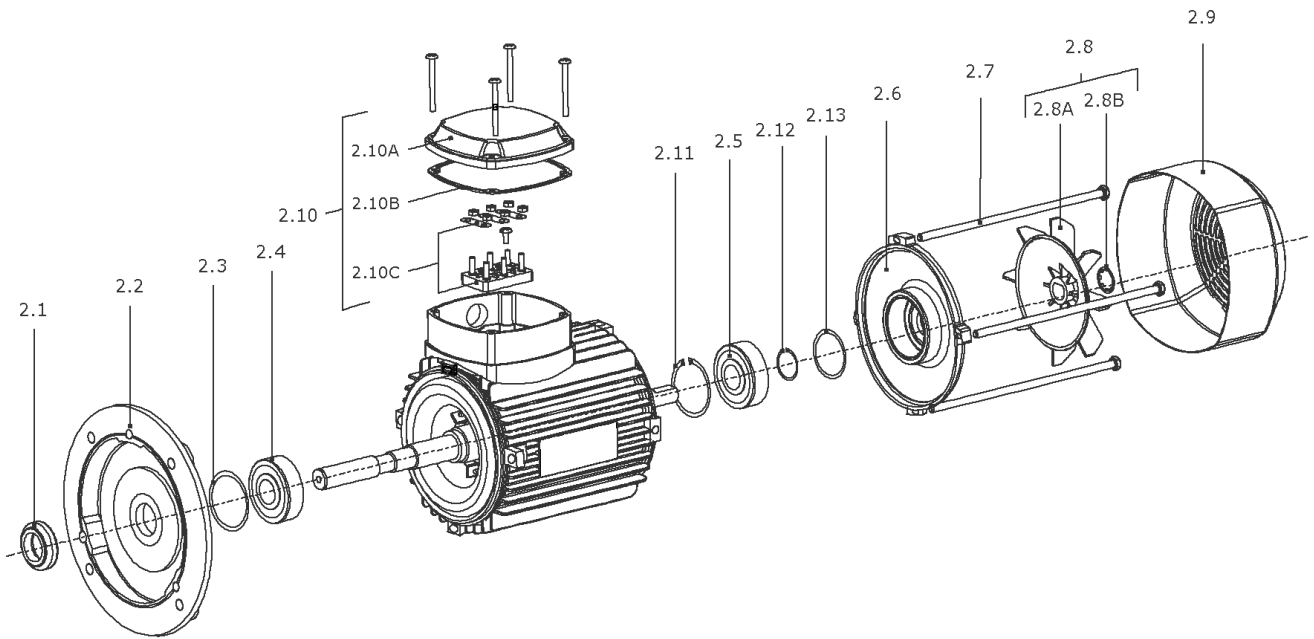
		3~LSES80L T							
		N° 216784 XD 001		IE2					
IP 55 1K08 cl.F 40° C SS1		11kg		80,6					
	V	Hz	min-1	kW	cosP	A	V	A	
Δ	230	50	2870	1.10	0.85	3.00			
λ	400	50	2870	1.10	0.85	2.30			

ATB

3-Mot	LF 80/2Z-11 IE2	/0609				
S1	IMB5	2280776	-0001	11767A		
IP 55	Th.Cl. 155(F)					
	Schwinggroessenstufe A					
Wilo-Nr. 2118936						
kW	V	Hz	A	cos Φ	1/min	
1,10	Δ 400/230	50	2,25/3,90	0.86	2880	IE2-79,6
1,10	λ 460/265	60	1,95/3,40	0.85	3490	IE2-82,5
IE75//50		kg		EN 60034		IE 2

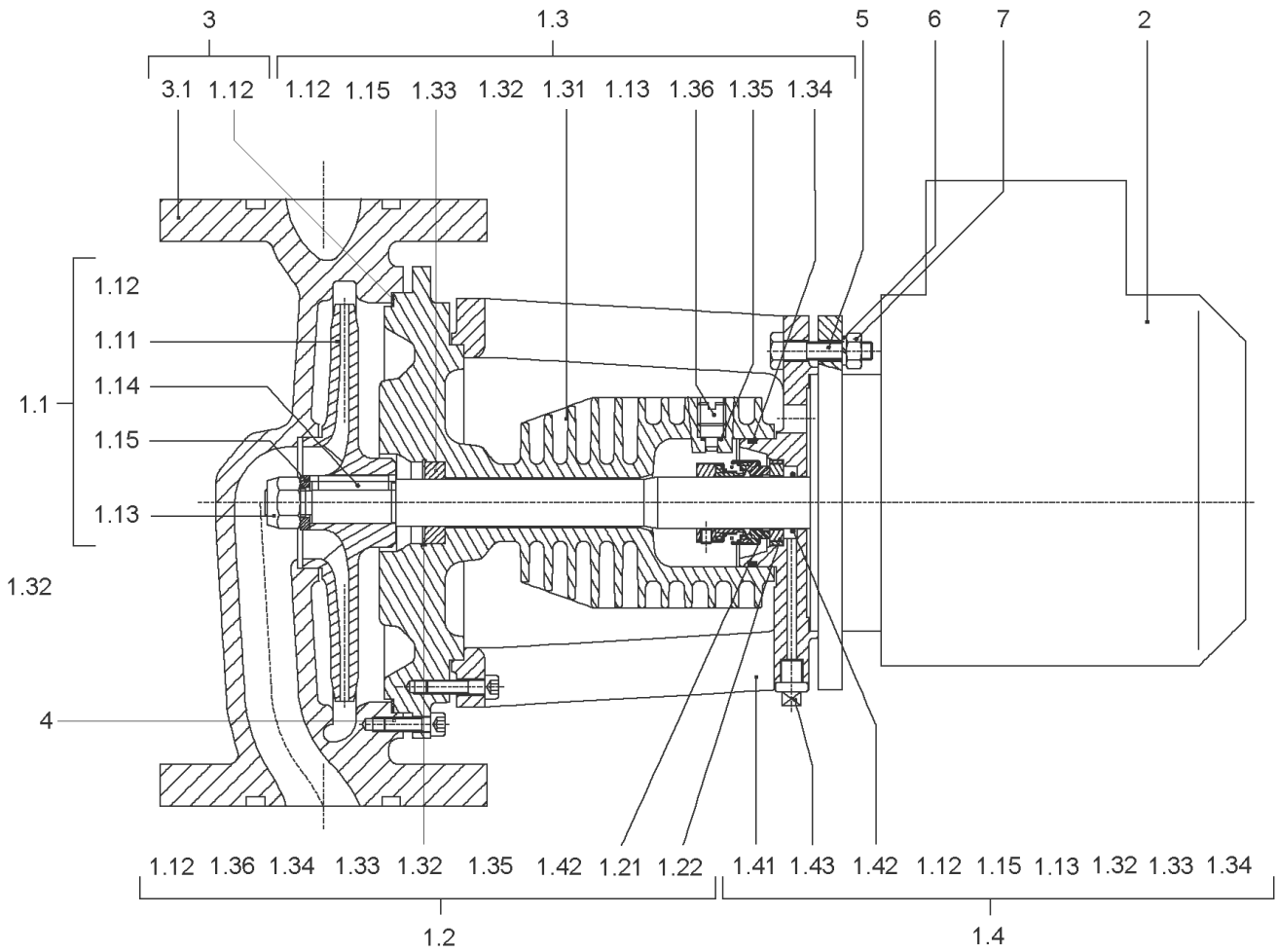
Spare parts motor 4/2/112 IE2

Item	Description	Quantity
LS	MOTOR 4-2T24B5-112F21-RU-A18X247-IE2-LS	1
Note: spare parts on request /Ersatzteile auf Anfrage /pieces de rechange sur demande		
ATB	Motor 4-2T24B5-112F21RU-A18x247-IE2ATB	1



Motor 4-2T24B5-112F21RU-A18x247-IE2ATB

Item	Article no.	Description	Quantity
2.1	2164171	Joint ring circular 35X51X7 ATB VP.	1
2.2	2145382	End Shield BG112 D.E.ATB VP.	1
2.3	2096258	SHIM BALL BEARING BG90-112 ATB VP.	1
2.4	121084190	BALL BEARING 6206/2Z-C3 (HT) VP.	1
2.5	121084190	BALL BEARING 6206/2Z-C3 (HT) VP.	1
2.6	2045002	END SHIELD BG112 N.D.E.ATB VP.	1
2.7	2111445	SCREW END SHILD M6X220 ATB(4 PIECES)	1
2.8	2123911	FAN WHEEL BG90 ATB KIT	1
2.8A		> FAN WHEEL BG90 721183 ATB	1
2.8B	2047016	> CORRUGATED SLEEVE RING BG90/100 ATB VP.	1
Note: Please give the data from type plate of the motor			
2.9	2164192	Fan hood BG112 RAL7001 ATB VP.	1
2.10	2164178	Terminal box cpl.BG112 ATB KIT	1
2.10A	2114270	> Term.box cover+gasket BG90-112 ATB VP.	1
Note: Please give the data from type plate of the motor			
2.10B	2096239	> GASKETS TERMINAL BOX BG90-112 ATB VP.	1
Note: Please give the data from type plate of the motor			
2.10C	2150996	> Terminal board cpl.BG56-132 ATB VP.	1
Note: Please give the data from type plate of the motor			
2.11	2046411	CIRCLIP 62X2 DIN472 FST	1
2.13	2096273	SPACER DISC BG90/112 ATB VP.	1



IPH-O80/110-2,2/2-IE1 (4089396)

Item	Article no.	Description	Quantity
1.1	2051147	IMPELLER IPH-O80/110 KIT	1
1.11		> IMPELLER IPH80/110(115) FGL BALANCED	1
1.12	2162632	> Flat gasket 173X165X1,5 C-4509 VP.	1
1.13	2162645	> Nut HEWI12X125 8 A2A VP.	1
1.14	2162646	> Key C 6X6X32 112 VP.	1
1.15	2162644	> Washer B12.5A25C4 VP.	1
1.2	4094357	MECHANICAL SEAL IPH-O KIT	1
1.12	2162632	> Flat gasket 173X165X1,5 C-4509 VP.	1
1.21		> ROTAT-RING-22.36.31NBR31.14.54-CYCLAM	1
1.22		> 22.37.6IN64.14INTERB.CYCLAM	1
1.32	2163927	> Circlip D.35X1.5 VP.	1
1.33	2150975	> Retaining ring IPH VP.	1
1.34	2163928	> O-Ring D.50X3 DF801 VP.	1
1.35	2163930	> O-Ring D.4,9X1,9 DF1438 VP.	1
1.36	2163932	> Venting screw IPH VP.	1
1.42	2163933	> Gasket D.20X2 DF801 VP.	1
1.3	2051148	COOLANT HOUSING IPH-O65-80/110-125 KIT	1
1.12	2162632	> Flat gasket 173X165X1,5 C-4509 VP.	1
1.13	2162645	> Nut HEWI12X125 8 A2A VP.	1
1.15	2162644	> Washer B12.5A25C4 VP.	1
1.31		> COOLING CAS.IPH20/160+65-80/110-125PAINT	1
1.32	2163927	> Circlip D.35X1.5 VP.	1
1.33	2150975	> Retaining ring IPH VP.	1
1.34	2163928	> O-Ring D.50X3 DF801 VP.	1
1.35	2163930	> O-Ring D.4,9X1,9 DF1438 VP.	1
1.36	2163932	> Venting screw IPH VP.	1
1.4	2051141	INTERMEDIATE PIECE IPH-O KIT	1
1.12	2162632	> Flat gasket 173X165X1,5 C-4509 VP.	1
1.13	2162645	> Nut HEWI12X125 8 A2A VP.	1
1.15	2162644	> Washer B12.5A25C4 VP.	1
1.32	2163927	> Circlip D.35X1.5 VP.	1
1.33	2150975	> Retaining ring IPH VP.	1
1.34	2163928	> O-Ring D.50X3 DF801 VP.	1
1.41		> LANTERN P130X110-F196 (IPH20/65/80)PAINT	1

IPH-O80/110-2,2/2-IE1 (4089396)

Item	Article no.	Description	Quantity
1.42	2163933	> Gasket D.20X2 DF801 VP.	1
1.43	2163934	> Plug 1/8" GF290 FM VP.	1
2	2174746	Motor 2,2-2T24B5-90F13RU-A18x237-IE3 VP.	1
2		SPARE PARTS MOTOR BG90 LS IE1	1
		> END SHIELD BG90 D.E.LS(IPH-W/-O)VP.	1
Note: no longer available / nicht mehrlieferbar / ne plus disponible			
		> END SHIELD BG80-90 N.D.E.LS(IPH-W/-O)VP.	1
Note: no longer available / nicht mehrlieferbar / ne plus disponible			
	121083998	> BALL BEARING 6205/2Z-C3 (HT) VP.	1
Note: Please give the data from type plate of the motor			
	121084499	> BALL BEARING 6204/2Z-C3 (HT) VP.	1
Note: Please give the data from type plate of the motor			
	2107568	> TERMINAL BOX BG80-112 LS(IPH-W/-O)VP.	1
Note: Please give the data from type plate of the motor			
	2107596	> TERMINAL BOARD BG80-112 LS(IPH-W/-O)VP.	1
Note: Please give the data from type plate of the motor			
	2106307	> FAN WHEEL BG90-112 LS(IPH-W/-O)VP.	1
Note: Please give the data from type plate of the motor			
	2106306	> Fan hood BG90 LS VP.	1
Note: Please give the data from type plate of the motor			
2		Spare parts motor 2,2/2/90 IE2	1
2		Spare parts motor:on request for IE3	1
3	2051146	PUMP HOUSING IPH-O80/110 KIT	1
1.12	2162632	> Flat gasket 173X165X1,5 C-4509 VP.	1
3.1		> PUMP HOUSING IPH80/125 PAINTED	1
4	2106311	SCREW M8X30 ISO4762 12.9 (4 PIECES)	1
5	2123552	SCREW M8X40 ISO4762 8.8 (4 PIECES)	1
6	2163938	Contact washer 8x16x1,4 Steel VP.	1
7	2112817	NUT M8-8 ISO4032 GEOMET (4 PIECES)	1
	2064426	COUNTER FLANGE IPH-O DN80 KIT	1
		> Flange EN1092-1/11C/DN80 PN25	1
	2163945	> Flat gasket D.120x106x1,5 C-4509 VP.	1

Motor-Typenschild/ Motor type plate/ Plaque identité moteur

Bei Ersatzteilbestellung Motor-Nummer angeben!

Indicate motor number for order of spare parts!

Pour une commande de pièces détachées, donner le numéro du moteur!

LS

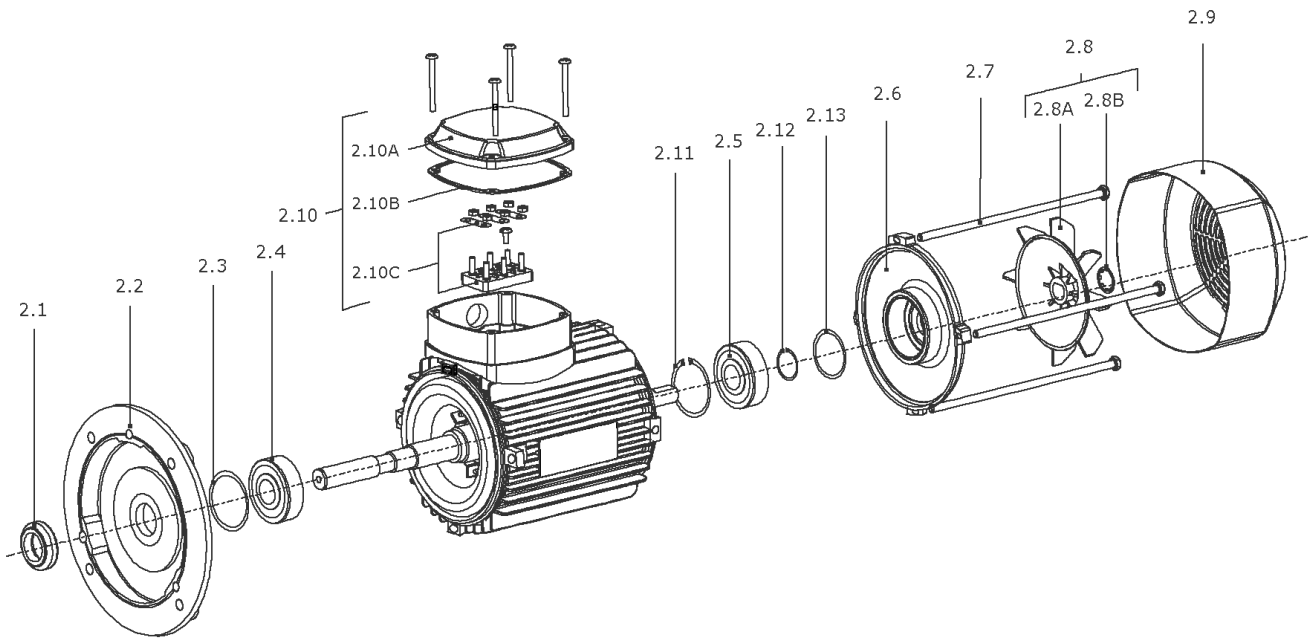
		° 3~LSES80L T							
		N° 216784 XD 001							
IP 55 1K08 cl.F 40° C SS1		11kg		80,6					
	V	Hz	min-1	kW	cosP	A	V	A	
Δ	230	50	2870	1.10	0.85	3.00			
λ	400	50	2870	1.10	0.85	2.30			

ATB

3-Mot	LF 80/2Z-11 +E2	/0609				
S1	IMB5	2280776	-0001 11767A			
IP 55	Th.Cl. 155(F)					
	Schwinggroessenstufe A					
Wilo-Nr. 2118936						
kW	V	Hz	A	cos Φ	1/min	
1,10	Δ 400/230	50	2,25/3,90	0.86	2880	IE2-79,6
1,10	λ 460/265	60	1,95/3,40	0.85	3490	IE2-82,5
IE75//50		kg		EN 60034		IE 2

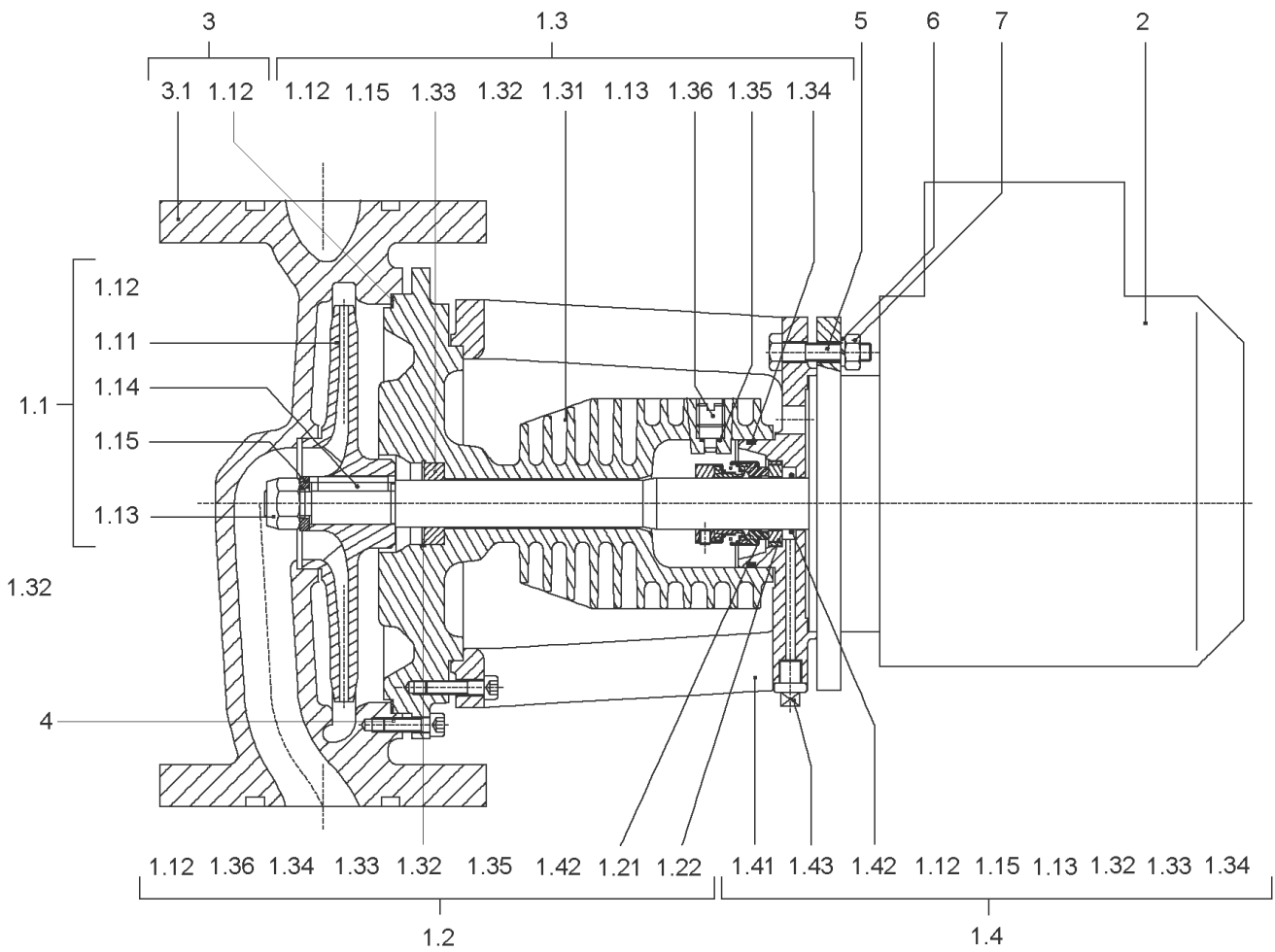
Spare parts motor 2,2/2/90 IE2

Item	Description	Quantity
LS	MOTOR 2,2-2T24B5-90F13-RU-A18X237-IE2-LS	1
ATB	Motor 2,2-2T24B5-90F13RU-A18x237-IE2ATB	1



Motor 2,2-2T24B5-90F13RU-A18x237-IE2ATB

Item	Article no.	Description	Quantity
2.1	2112921	JOINT RING CIRCULAR 25X35X4 ATB VP.	1
2.2	2164166	Capacitor 25µF 400VDB VP.	1
2.3	2096256	SHIM BALL BEARING BG90/100 ATB VP.	1
2.4	121083998	BALL BEARING 6205/2Z-C3 (HT) VP.	1
2.5	121083998	BALL BEARING 6205/2Z-C3 (HT) VP.	1
2.6	2123946	END SHIELD BG90/100 N.D.E.ATB VP.	1
2.7	2112674	SCREW END SHIELD M5X190 ATB(4 PIECES)	1
2.8	2123911	FAN WHEEL BG90 ATB KIT	1
2.8A		> FAN WHEEL BG90 721183 ATB	1
2.8B	2047016	> CORRUGATED SLEEVE RING BG90/100 ATB VP.	1
Note: Please give the data from type plate of the motor			
2.9	2150919	Fan housing BG90/100 RAL7001 ATB VP.	1
2.10	2124004	TERMINAL BOX CPL.BG90 ATB KIT	1
2.10A	2114270	> Term.box cover+gasket BG90-112 ATB VP.	1
Note: Please give the data from type plate of the motor			
2.10B	2096239	> GASKETS TERMINAL BOX BG90-112 ATB VP.	1
Note: Please give the data from type plate of the motor			
2.10C	2150996	> Terminal board cpl.BG56-132 ATB VP.	1
Note: Please give the data from type plate of the motor			
2.11	2112677	CIRCLIP 52X2 J ATB VP.	1
2.12	2112922	CIRCLIP 25X1,2 DIN471 ATB VP.	1
2.13	2096272	SPACER DISC BG80-100 ATB VP.	1



IPH-O80/140-1,1/4-IE1 (4089404)

Item	Article no.	Description	Quantity
1.1	2051144	IMPELLER IPH-O80/140 KIT	1
1.11		> IMPELLER IPH80/140(138) FGL BALANCED	1
1.12	2162632	> Flat gasket 173X165X1,5 C-4509 VP.	1
1.13	2162645	> Nut HEWI12X125 8 A2A VP.	1
1.14	2162646	> Key C 6X6X32 112 VP.	1
1.15	2162644	> Washer B12.5A25C4 VP.	1
1.2	4094357	MECHANICAL SEAL IPH-O KIT	1
1.12	2162632	> Flat gasket 173X165X1,5 C-4509 VP.	1
1.21		> ROTAT-RING-22.36.31NBR31.14.54-CYCLAM	1
1.22		> 22.37.6IN64.14INTERB.CYCLAM	1
1.32	2163927	> Circlip D.35X1.5 VP.	1
1.33	2150975	> Retaining ring IPH VP.	1
1.34	2163928	> O-Ring D.50X3 DF801 VP.	1
1.35	2163930	> O-Ring D.4,9X1,9 DF1438 VP.	1
1.36	2163932	> Venting screw IPH VP.	1
1.42	2163933	> Gasket D.20X2 DF801 VP.	1
1.3	2051139	COOLANT HOUSING IPH-O80/140-160 KIT	1
1.12	2162632	> Flat gasket 173X165X1,5 C-4509 VP.	1
1.13	2162645	> Nut HEWI12X125 8 A2A VP.	1
1.15	2162644	> Washer B12.5A25C4 VP.	1
1.31		> COOLING CASASING IPH80/140-160 PAINTED	1
1.32	2163927	> Circlip D.35X1.5 VP.	1
1.33	2150975	> Retaining ring IPH VP.	1
1.34	2163928	> O-Ring D.50X3 DF801 VP.	1
1.35	2163930	> O-Ring D.4,9X1,9 DF1438 VP.	1
1.36	2163932	> Venting screw IPH VP.	1
1.4	2051141	INTERMEDIATE PIECE IPH-O KIT	1
1.12	2162632	> Flat gasket 173X165X1,5 C-4509 VP.	1
1.13	2162645	> Nut HEWI12X125 8 A2A VP.	1
1.15	2162644	> Washer B12.5A25C4 VP.	1
1.32	2163927	> Circlip D.35X1.5 VP.	1
1.33	2150975	> Retaining ring IPH VP.	1
1.34	2163928	> O-Ring D.50X3 DF801 VP.	1
1.41		> LANTERN P130X110-F196 (IPH20/65/80)PAINT	1

IPH-O80/140-1,1/4-IE1 (4089404)

Item	Article no.	Description	Quantity
1.42	2163933	> Gasket D.20X2 DF801 VP.	1
1.43	2163934	> Plug 1/8" GF290 FM VP.	1
2	2174744	Motor 1,1-4T24B5-90F13RU-A18x237-IE3 VP.	1
2		SPARE PARTS MOTOR BG90 LS IE1	1
		> END SHIELD BG90 D.E.LS(IPH-W/-O)VP.	1
Note: no longer available / nicht mehrlieferbar / ne plus disponible			
		> END SHIELD BG80-90 N.D.E.LS(IPH-W/-O)VP.	1
Note: no longer available / nicht mehrlieferbar / ne plus disponible			
	121083998	> BALL BEARING 6205/2Z-C3 (HT) VP.	1
Note: Please give the data from type plate of the motor			
	121084499	> BALL BEARING 6204/2Z-C3 (HT) VP.	1
Note: Please give the data from type plate of the motor			
	2107568	> TERMINAL BOX BG80-112 LS(IPH-W/-O)VP.	1
Note: Please give the data from type plate of the motor			
	2107596	> TERMINAL BOARD BG80-112 LS(IPH-W/-O)VP.	1
Note: Please give the data from type plate of the motor			
	2106307	> FAN WHEEL BG90-112 LS(IPH-W/-O)VP.	1
Note: Please give the data from type plate of the motor			
	2106306	> Fan hood BG90 LS VP.	1
Note: Please give the data from type plate of the motor			
2		Spare parts motor 1,1/4/90 IE2	1
2		Spare parts motor: on request for IE3	1
3	2051142	PUMP HOUSING IPH-O80/140-160 KIT	1
1.12	2162632	> Flat gasket 173X165X1,5 C-4509 VP.	1
3.1		> PUMP HOUSING IPH80/160 PAINTED	1
4	2106311	SCREW M8X30 ISO4762 12.9 (4 PIECES)	1
5	2123552	SCREW M8X40 ISO4762 8.8 (4 PIECES)	1
6	2163938	Contact washer 8x16x1,4 Steel VP.	1
7	2112817	NUT M8-8 ISO4032 GEOMET (4 PIECES)	1
	2064426	COUNTER FLANGE IPH-O DN80 KIT	1
		> Flange EN1092-1/11C/DN80 PN25	1
	2163945	> Flat gasket D.120x106x1,5 C-4509 VP.	1

Spare parts motor 1,1/4/90 IE2

Motor-Typenschild/ Motor type plate/ Plaque identité moteur

Bei Ersatzteilbestellung Motor-Nummer angeben!

Indicate motor number for order of spare parts!

Pour une commande de pièces détachées, donner le numéro du moteur!

LS

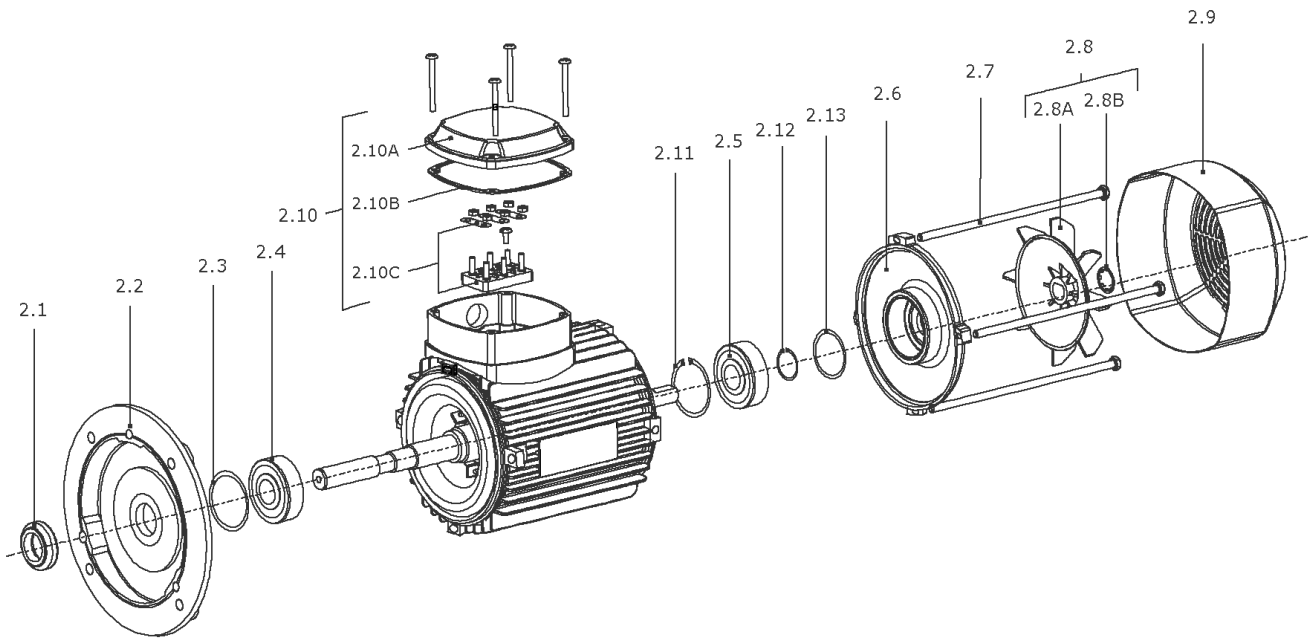
		° 3~LSES80L T							
SOMER		N° 216784 XD 001		IE2		80,6			
IP 55		1K08 cl.F 40° C SS1		11kg					
○	V	Hz	min-1	kW	cosP	A	V	Λ	○
△	230	50	2870	1.10	0.85	3.00			
人	400	50	2870	1.10	0.85	2.30			

ATB

3-Mot	LF 80/2Z-11 +E2	/0609					
S1	IMB5	2280776	-0001	11767A			
IP 55	Th.Cl. 155(F)						
○	Schwinggroessenstufe A						○
		Wilo-Nr. 2118936					
kW	V	Hz	A	cos φ	1/min		
1,10	YΔ 400/230	50	2,25/3,90	0.86	2880	IE2-79,6	
1,10	YΔ 460/265	60	1,95/3,40	0.85	3490	IE2-82,5	
IE75//50		kg		EN 60034		IE 2	

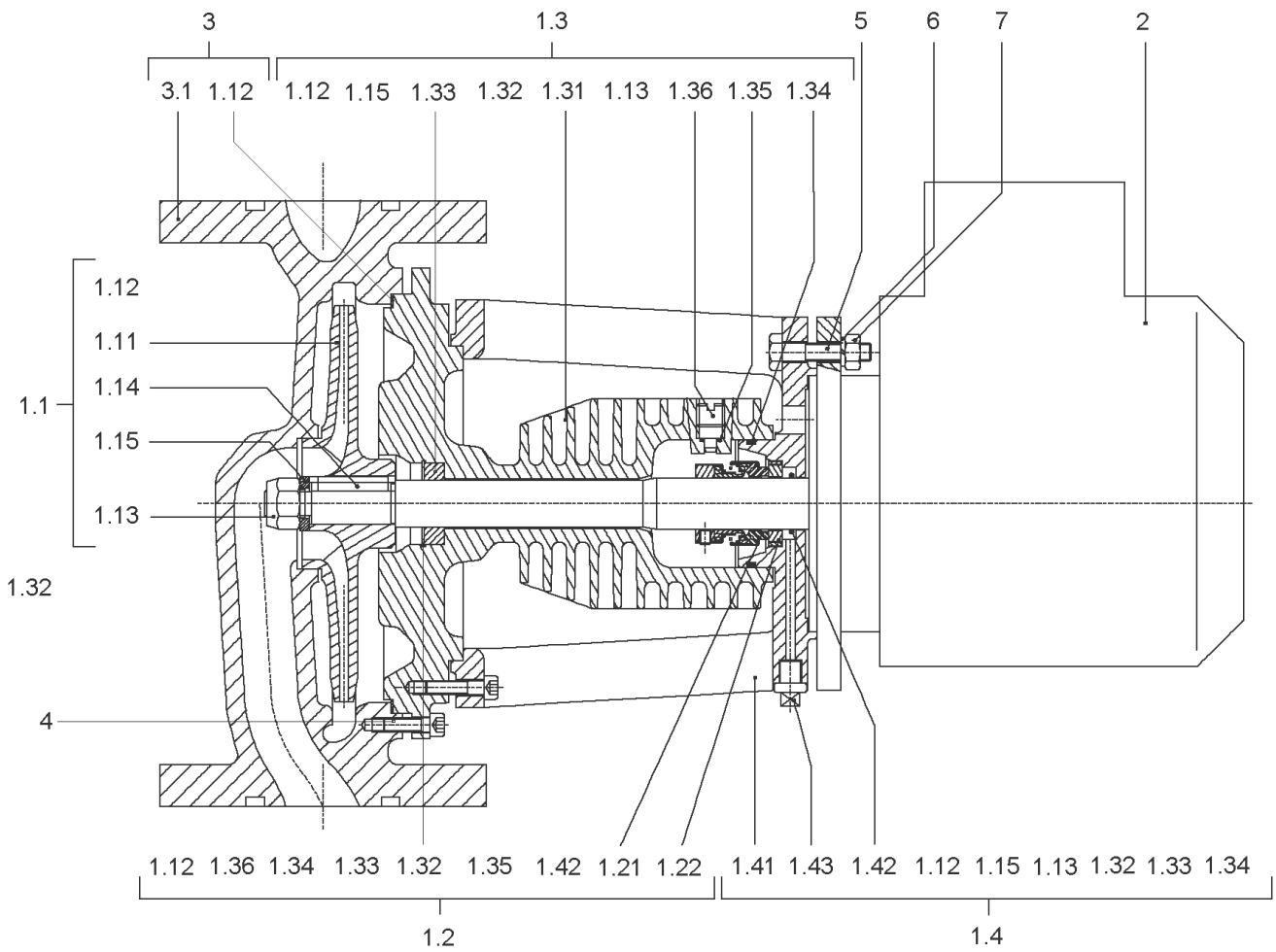
Spare parts motor 1,1/4/90 IE2

Item	Description	Quantity
LS	MOTOR 1,1-4T24B5-90F13-RU-A18X237-IE2-LS	1
Note: spare parts on request /Ersatzteile auf Anfrage /pieces de rechange sur demande		
ATB	Motor 1,1-4T24B5-90F13RU-A18x237-IE2ATB	1



Motor 1,1-4T24B5-90F13RU-A18x237-IE2ATB

Item	Article no.	Description	Quantity
2.1	2112921	JOINT RING CIRCULAR 25X35X4 ATB VP.	1
2.2	2164166	Capacitor 25µF 400VDB VP.	1
2.3	2096256	SHIM BALL BEARING BG90/100 ATB VP.	1
2.4	121083998	BALL BEARING 6205/2Z-C3 (HT) VP.	1
2.5	121083998	BALL BEARING 6205/2Z-C3 (HT) VP.	1
2.6	2123946	END SHIELD BG90/100 N.D.E.ATB VP.	1
2.7	2112674	SCREW END SHIELD M5X190 ATB(4 PIECES)	1
2.8	2123911	FAN WHEEL BG90 ATB KIT	1
2.8A		> FAN WHEEL BG90 721183 ATB	1
2.8B	2047016	> CORRUGATED SLEEVE RING BG90/100 ATB VP.	1
Note: Please give the data from type plate of the motor			
2.9	2150919	Fan housing BG90/100 RAL7001 ATB VP.	1
2.10	2124004	TERMINAL BOX CPL.BG90 ATB KIT	1
2.10A	2114270	> Term.box cover+gasket BG90-112 ATB VP.	1
Note: Please give the data from type plate of the motor			
2.10B	2096239	> GASKETS TERMINAL BOX BG90-112 ATB VP.	1
Note: Please give the data from type plate of the motor			
2.10C	2150996	> Terminal board cpl.BG56-132 ATB VP.	1
Note: Please give the data from type plate of the motor			
2.11	2112677	CIRCLIP 52X2 J ATB VP.	1
2.12	2112922	CIRCLIP 25X1,2 DIN471 ATB VP.	1
2.13	2096272	SPACER DISC BG80-100 ATB VP.	1



IPH-O80/140-4/2-IE1 (4089397)

Item	Article no.	Description	Quantity
1.1	2051144	IMPELLER IPH-O80/140 KIT	1
1.11		> IMPELLER IPH80/140(138) FGL BALANCED	1
1.12	2162632	> Flat gasket 173X165X1,5 C-4509 VP.	1
1.13	2162645	> Nut HEWI12X125 8 A2A VP.	1
1.14	2162646	> Key C 6X6X32 112 VP.	1
1.15	2162644	> Washer B12.5A25C4 VP.	1
1.2	4094357	MECHANICAL SEAL IPH-O KIT	1
1.12	2162632	> Flat gasket 173X165X1,5 C-4509 VP.	1
1.21		> ROTAT-RING-22.36.31NBR31.14.54-CYCLAM	1
1.22		> 22.37.6IN64.14INTERB.CYCLAM	1
1.32	2163927	> Circlip D.35X1.5 VP.	1
1.33	2150975	> Retaining ring IPH VP.	1
1.34	2163928	> O-Ring D.50X3 DF801 VP.	1
1.35	2163930	> O-Ring D.4,9X1,9 DF1438 VP.	1
1.36	2163932	> Venting screw IPH VP.	1
1.42	2163933	> Gasket D.20X2 DF801 VP.	1
1.3	2051139	COOLANT HOUSING IPH-O80/140-160 KIT	1
1.12	2162632	> Flat gasket 173X165X1,5 C-4509 VP.	1
1.13	2162645	> Nut HEWI12X125 8 A2A VP.	1
1.15	2162644	> Washer B12.5A25C4 VP.	1
1.31		> COOLING CASASING IPH80/140-160 PAINTED	1
1.32	2163927	> Circlip D.35X1.5 VP.	1
1.33	2150975	> Retaining ring IPH VP.	1
1.34	2163928	> O-Ring D.50X3 DF801 VP.	1
1.35	2163930	> O-Ring D.4,9X1,9 DF1438 VP.	1
1.36	2163932	> Venting screw IPH VP.	1
1.4	2051145	INTERMED.PIECE IPH-O65-80 4KW KIT	1
1.12	2162632	> Flat gasket 173X165X1,5 C-4509 VP.	1
1.13	2162645	> Nut HEWI12X125 8 A2A VP.	1
1.15	2162644	> Washer B12.5A25C4 VP.	1
1.32	2163927	> Circlip D.35X1.5 VP.	1
1.33	2150975	> Retaining ring IPH VP.	1
1.34	2163928	> O-Ring D.50X3 DF801 VP.	1
1.41		> LANTERN P215X180-F196 (IPH65/80) PAINTED	1

IPH-O80/140-4/2-IE1 (4089397)

Item	Article no.	Description	Quantity
1.42	2163933	> Gasket D.20X2 DF801 VP.	1
1.43	2163936	> Plug 1/4" VP.	1
2	2174748	Motor 4-2T24B5-112F21RU-A18x247-IE3 VP.	1
2		SPARE PARTS MOTOR BG112 LS IE1	1
		> END SHIELD BG112 D.E.LS(IPH-W/-O)VP.	1
Note: no longer available / nicht mehr lieferbar / ne plus disponible			
		> END SHIELD BG112 N.D.E.LS(IPH-W/-O)VP.	1
Note: no longer available / nicht mehr lieferbar / ne plus disponible			
	121084190	> BALL BEARING 6206/2Z-C3 (HT) VP.	1
Note: Please give the data from type plate of the motor			
	121083998	> BALL BEARING 6205/2Z-C3 (HT) VP.	1
Note: Please give the data from type plate of the motor			
	2107568	> TERMINAL BOX BG80-112 LS(IPH-W/-O)VP.	1
Note: Please give the data from type plate of the motor			
	2107596	> TERMINAL BOARD BG80-112 LS(IPH-W/-O)VP.	1
Note: Please give the data from type plate of the motor			
	2106307	> FAN WHEEL BG90-112 LS(IPH-W/-O)VP.	1
Note: Please give the data from type plate of the motor			
	2107576	> FAN HOOD BG112 LS(IPH-W/-O)VP.	1
Note: Please give the data from type plate of the motor			
2		Spare parts motor 4/2/112 IE2	1
2		Spare parts motor: on request for IE3	1
3	2051142	PUMP HOUSING IPH-O80/140-160 KIT	1
1.12	2162632	> Flat gasket 173X165X1,5 C-4509 VP.	1
3.1		> PUMP HOUSING IPH80/160 PAINTED	1
4	2106311	SCREW M8X30 ISO4762 12.9 (4 PIECES)	1
5	2123555	SCREW M12x50 ISO4762 8.8 (4 PIECES)	1
6	2123557	WASHER CS-12.4-24-1.6-NFE25 (4 PIECES)	1
7	2123556	NUT M12-8 ISO4032 GEOMET (4 PIECES)	1
	2064426	COUNTER FLANGE IPH-O DN80 KIT	1
		> Flange EN1092-1/11C/DN80 PN25	1
	2163945	> Flat gasket D.120x106x1,5 C-4509 VP.	1

Motor-Typenschild/ Motor type plate/ Plaque identité moteur

Bei Ersatzteilbestellung Motor-Nummer angeben!

Indicate motor number for order of spare parts!

Pour une commande de pièces détachées, donner le numéro du moteur!

LS

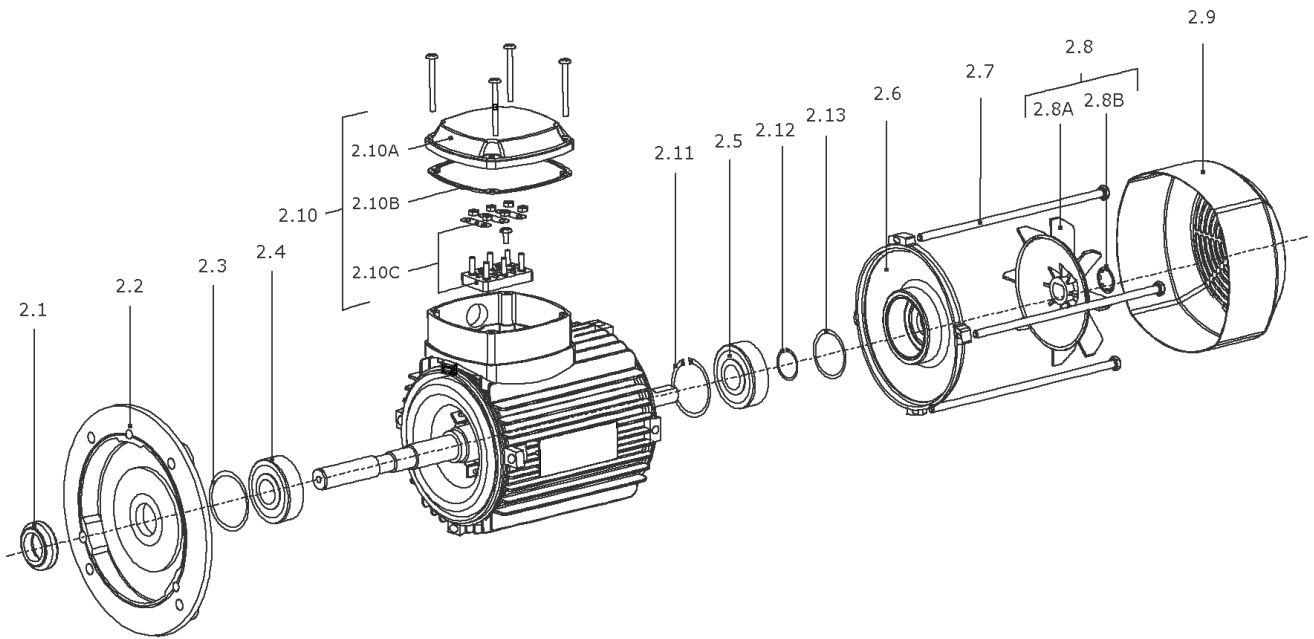
		3~LSES80L T							
		N° 216784 XD 001		IE2					
IP 55 1K08 cl.F 40° C SS1		11kg		80,6					
	V	Hz	min-1	kW	cosP	A	V	A	
Δ	230	50	2870	1.10	0.85	3.00			
λ	400	50	2870	1.10	0.85	2.30			

ATB

3-Mot	LF 80/2Z-11 IE2	/0609			
S1	IMB5	2280776	-0001	11767A	
IP 55	Th.Cl. 155(F)				
	Schwinggroessenstufe A				
Wilo-Nr. 2118936					
kW	V	Hz	A	cos Φ	1/min
1,10	Δ 400/230	50	2,25/3,90	0.86	2880 IE2-79,6
1,10	λ 460/265	60	1,95/3,40	0.85	3490 IE2-82,5
IE75//50		kg		EN 60034 IE 2	

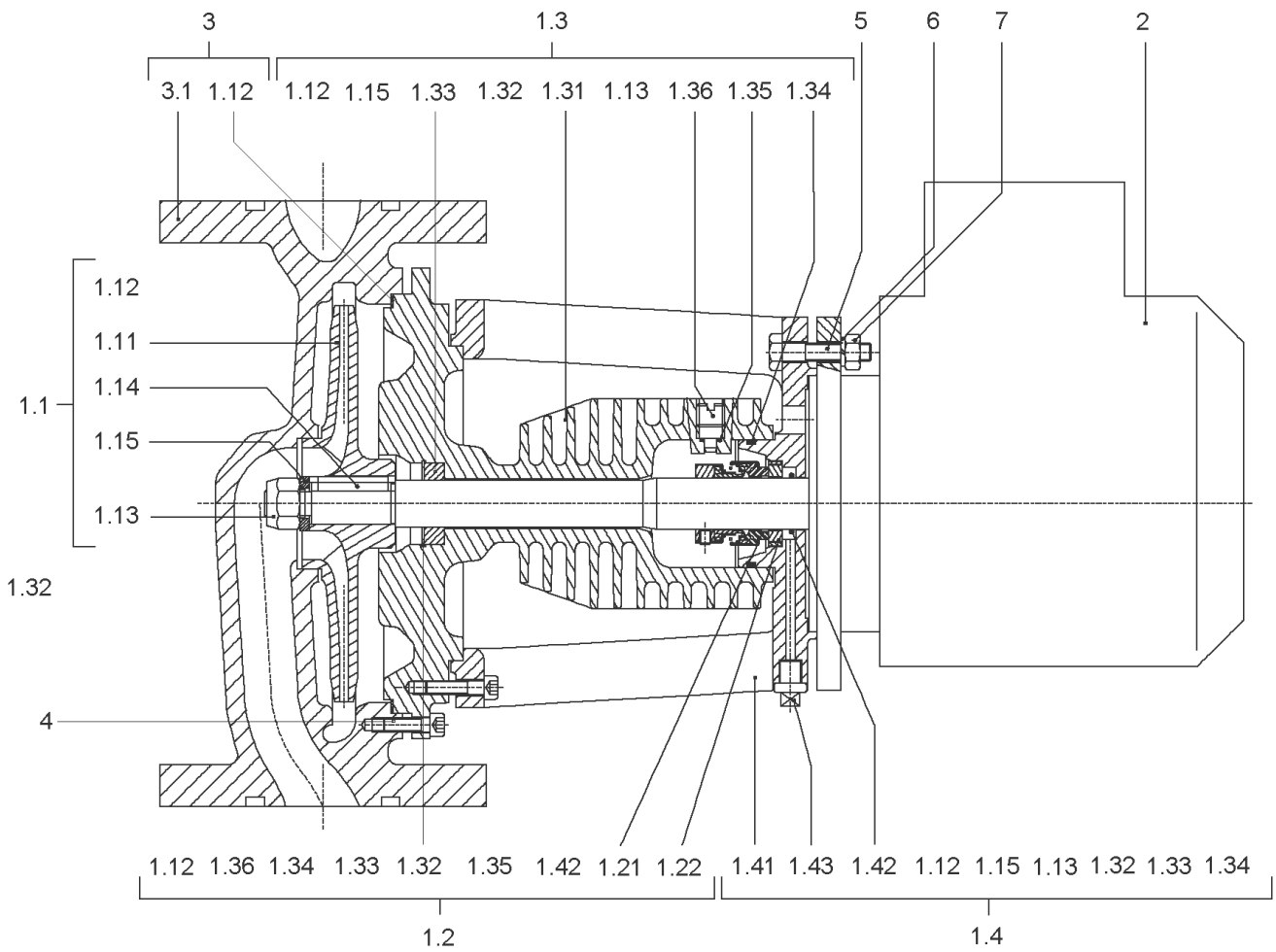
Spare parts motor 4/2/112 IE2

Item	Description	Quantity
LS	MOTOR 4-2T24B5-112F21-RU-A18X247-IE2-LS	1
Note: spare parts on request /Ersatzteile auf Anfrage /pieces de rechange sur demande		
ATB	Motor 4-2T24B5-112F21RU-A18x247-IE2ATB	1



Motor 4-2T24B5-112F21RU-A18x247-IE2ATB

Item	Article no.	Description	Quantity
2.1	2164171	Joint ring circular 35X51X7 ATB VP.	1
2.2	2145382	End Shield BG112 D.E.ATB VP.	1
2.3	2096258	SHIM BALL BEARING BG90-112 ATB VP.	1
2.4	121084190	BALL BEARING 6206/2Z-C3 (HT) VP.	1
2.5	121084190	BALL BEARING 6206/2Z-C3 (HT) VP.	1
2.6	2045002	END SHIELD BG112 N.D.E.ATB VP.	1
2.7	2111445	SCREW END SHILD M6X220 ATB(4 PIECES)	1
2.8	2123911	FAN WHEEL BG90 ATB KIT	1
2.8A		> FAN WHEEL BG90 721183 ATB	1
2.8B	2047016	> CORRUGATED SLEEVE RING BG90/100 ATB VP.	1
Note: Please give the data from type plate of the motor			
2.9	2164192	Fan hood BG112 RAL7001 ATB VP.	1
2.10	2164178	Terminal box cpl.BG112 ATB KIT	1
2.10A	2114270	> Term.box cover+gasket BG90-112 ATB VP.	1
Note: Please give the data from type plate of the motor			
2.10B	2096239	> GASKETS TERMINAL BOX BG90-112 ATB VP.	1
Note: Please give the data from type plate of the motor			
2.10C	2150996	> Terminal board cpl.BG56-132 ATB VP.	1
Note: Please give the data from type plate of the motor			
2.11	2046411	CIRCLIP 62X2 DIN472 FST	1
2.13	2096273	SPACER DISC BG90/112 ATB VP.	1



IPH-O80/160-1,1/4-IE1 (4089405)

Item	Article no.	Description	Quantity
1.1	2051143	IMPELLER IPH-O80/160 KIT	1
1.11		> IMPELLER IPH80/160(159) FGL BALANCED	1
1.12	2162632	> Flat gasket 173X165X1,5 C-4509 VP.	1
1.13	2162645	> Nut HEWI12X125 8 A2A VP.	1
1.14	2162646	> Key C 6X6X32 112 VP.	1
1.15	2162644	> Washer B12.5A25C4 VP.	1
1.2	4094357	MECHANICAL SEAL IPH-O KIT	1
1.12	2162632	> Flat gasket 173X165X1,5 C-4509 VP.	1
1.21		> ROTAT-RING-22.36.31NBR31.14.54-CYCLAM	1
1.22		> 22.37.6IN64.14INTERB.CYCLAM	1
1.32	2163927	> Circlip D.35X1.5 VP.	1
1.33	2150975	> Retaining ring IPH VP.	1
1.34	2163928	> O-Ring D.50X3 DF801 VP.	1
1.35	2163930	> O-Ring D.4,9X1,9 DF1438 VP.	1
1.36	2163932	> Venting screw IPH VP.	1
1.42	2163933	> Gasket D.20X2 DF801 VP.	1
1.3	2051139	COOLANT HOUSING IPH-O80/140-160 KIT	1
1.12	2162632	> Flat gasket 173X165X1,5 C-4509 VP.	1
1.13	2162645	> Nut HEWI12X125 8 A2A VP.	1
1.15	2162644	> Washer B12.5A25C4 VP.	1
1.31		> COOLING CASASING IPH80/140-160 PAINTED	1
1.32	2163927	> Circlip D.35X1.5 VP.	1
1.33	2150975	> Retaining ring IPH VP.	1
1.34	2163928	> O-Ring D.50X3 DF801 VP.	1
1.35	2163930	> O-Ring D.4,9X1,9 DF1438 VP.	1
1.36	2163932	> Venting screw IPH VP.	1
1.4	2051141	INTERMEDIATE PIECE IPH-O KIT	1
1.12	2162632	> Flat gasket 173X165X1,5 C-4509 VP.	1
1.13	2162645	> Nut HEWI12X125 8 A2A VP.	1
1.15	2162644	> Washer B12.5A25C4 VP.	1
1.32	2163927	> Circlip D.35X1.5 VP.	1
1.33	2150975	> Retaining ring IPH VP.	1
1.34	2163928	> O-Ring D.50X3 DF801 VP.	1
1.41		> LANTERN P130X110-F196 (IPH20/65/80)PAINT	1

IPH-O80/160-1,1/4-IE1 (4089405)

Item	Article no.	Description	Quantity
1.42	2163933	> Gasket D.20X2 DF801 VP.	1
1.43	2163934	> Plug 1/8" GF290 FM VP.	1
2	2174744	Motor 1,1-4T24B5-90F13RU-A18x237-IE3 VP.	1
2		SPARE PARTS MOTOR BG90 LS IE1	1
		> END SHIELD BG90 D.E.LS(IPH-W/-O)VP.	1
Note: no longer available / nicht mehrlieferbar / ne plus disponible			
		> END SHIELD BG80-90 N.D.E.LS(IPH-W/-O)VP.	1
Note: no longer available / nicht mehrlieferbar / ne plus disponible			
	121083998	> BALL BEARING 6205/2Z-C3 (HT) VP.	1
Note: Please give the data from type plate of the motor			
	121084499	> BALL BEARING 6204/2Z-C3 (HT) VP.	1
Note: Please give the data from type plate of the motor			
	2107568	> TERMINAL BOX BG80-112 LS(IPH-W/-O)VP.	1
Note: Please give the data from type plate of the motor			
	2107596	> TERMINAL BOARD BG80-112 LS(IPH-W/-O)VP.	1
Note: Please give the data from type plate of the motor			
	2106307	> FAN WHEEL BG90-112 LS(IPH-W/-O)VP.	1
Note: Please give the data from type plate of the motor			
	2106306	> Fan hood BG90 LS VP.	1
Note: Please give the data from type plate of the motor			
2		Spare parts motor 1,1/4/90 IE2	1
2		Spare parts motor: on request for IE3	1
3	2051142	PUMP HOUSING IPH-O80/140-160 KIT	1
1.12	2162632	> Flat gasket 173X165X1,5 C-4509 VP.	1
3.1		> PUMP HOUSING IPH80/160 PAINTED	1
4	2106311	SCREW M8X30 ISO4762 12.9 (4 PIECES)	1
5	2123552	SCREW M8X40 ISO4762 8.8 (4 PIECES)	1
6	2163938	Contact washer 8x16x1,4 Steel VP.	1
7	2112817	NUT M8-8 ISO4032 GEOMET (4 PIECES)	1
	2064426	COUNTER FLANGE IPH-O DN80 KIT	1
		> Flange EN1092-1/11C/DN80 PN25	1
	2163945	> Flat gasket D.120x106x1,5 C-4509 VP.	1

Motor-Typenschild/ Motor type plate/ Plaque identité moteur

Bei Ersatzteilbestellung Motor-Nummer angeben!

Indicate motor number for order of spare parts!

Pour une commande de pièces détachées, donner le numéro du moteur!

LS

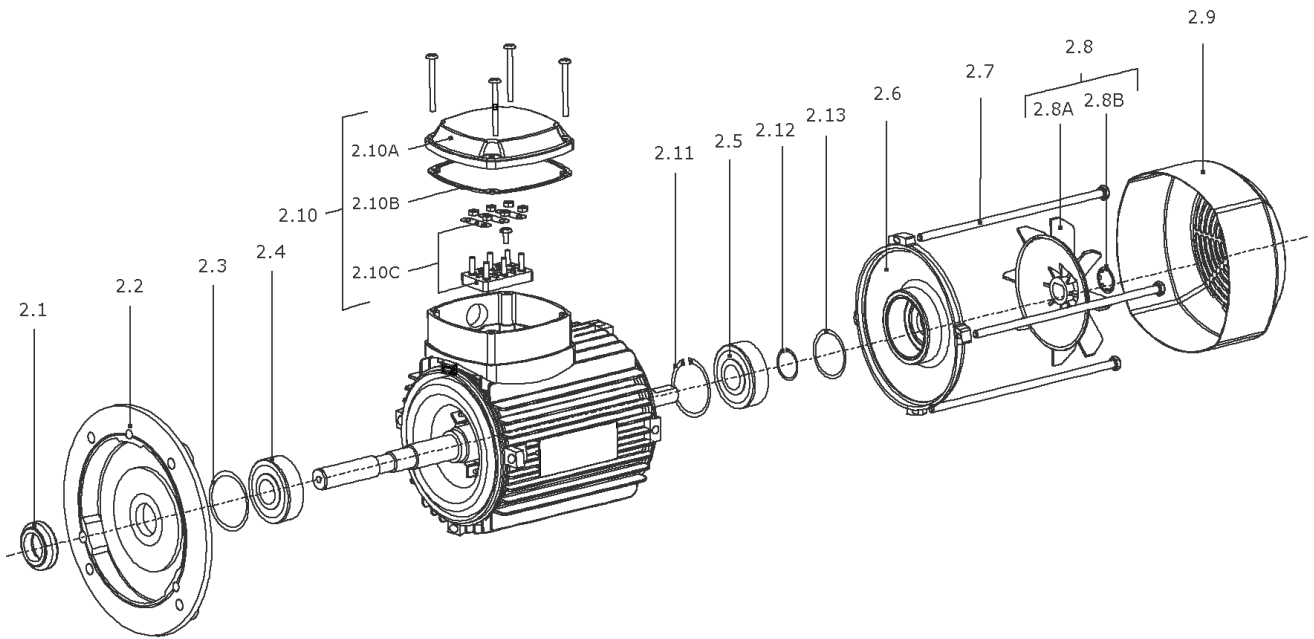
		3~LSES80L T						
		N° 216784 XD 001						
IP 55 1K08 cl.F 40° C SS1		11kg		IE2 80,6				
	V	Hz	min-1	kW	cosP	A	V	
Δ	230	50	2870	1.10	0.85	3.00		
λ	400	50	2870	1.10	0.85	2.30		

ATB

3-Mot	LF 80/2Z-11 IE2	/0609			
S1	IMB5	2280776	-0001	11767A	
IP 55	Th.Cl. 155(F)				
	Schwinggroessenstufe A				
Wilo-Nr. 2118936					
kW	V	Hz	A	cos Φ	1/min
1,10	Δ 400/230	50	2,25/3,90	0.86	2880 IE2-79,6
1,10	λ 460/265	60	1,95/3,40	0.85	3490 IE2-82,5
IE75//50		kg		EN 60034 IE 2	

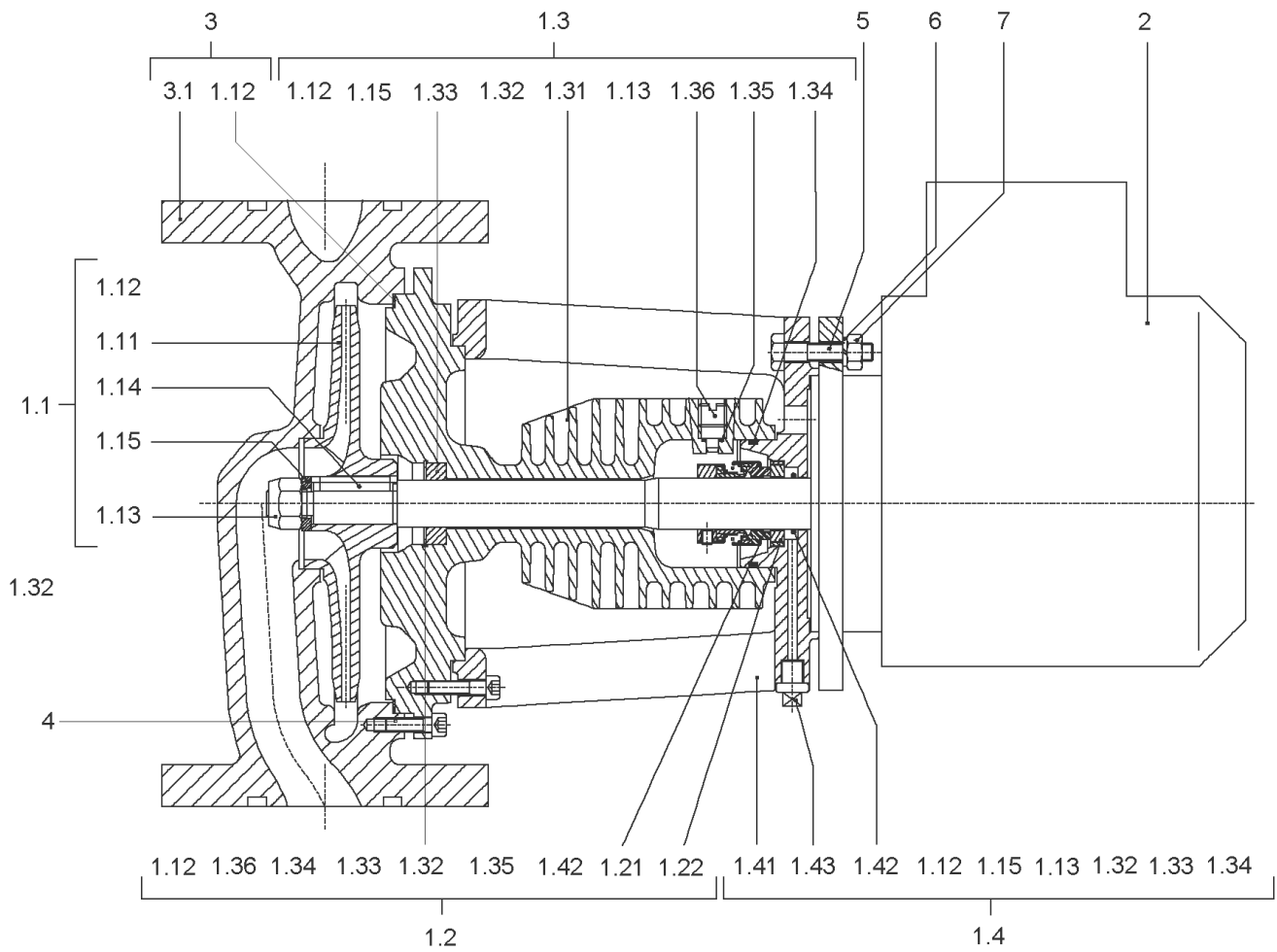
Spare parts motor 1,1/4/90 IE2

Item	Description	Quantity
LS	MOTOR 1,1-4T24B5-90F13-RU-A18X237-IE2-LS	1
Note: spare parts on request /Ersatzteile auf Anfrage /pieces de rechange sur demande		
ATB	Motor 1,1-4T24B5-90F13RU-A18x237-IE2ATB	1



Motor 1,1-4T24B5-90F13RU-A18x237-IE2ATB

Item	Article no.	Description	Quantity
2.1	2112921	JOINT RING CIRCULAR 25X35X4 ATB VP.	1
2.2	2164166	Capacitor 25µF 400VDB VP.	1
2.3	2096256	SHIM BALL BEARING BG90/100 ATB VP.	1
2.4	121083998	BALL BEARING 6205/2Z-C3 (HT) VP.	1
2.5	121083998	BALL BEARING 6205/2Z-C3 (HT) VP.	1
2.6	2123946	END SHIELD BG90/100 N.D.E.ATB VP.	1
2.7	2112674	SCREW END SHIELD M5X190 ATB(4 PIECES)	1
2.8	2123911	FAN WHEEL BG90 ATB KIT	1
2.8A		> FAN WHEEL BG90 721183 ATB	1
2.8B	2047016	> CORRUGATED SLEEVE RING BG90/100 ATB VP.	1
Note: Please give the data from type plate of the motor			
2.9	2150919	Fan housing BG90/100 RAL7001 ATB VP.	1
2.10	2124004	TERMINAL BOX CPL.BG90 ATB KIT	1
2.10A	2114270	> Term.box cover+gasket BG90-112 ATB VP.	1
Note: Please give the data from type plate of the motor			
2.10B	2096239	> GASKETS TERMINAL BOX BG90-112 ATB VP.	1
Note: Please give the data from type plate of the motor			
2.10C	2150996	> Terminal board cpl.BG56-132 ATB VP.	1
Note: Please give the data from type plate of the motor			
2.11	2112677	CIRCLIP 52X2 J ATB VP.	1
2.12	2112922	CIRCLIP 25X1,2 DIN471 ATB VP.	1
2.13	2096272	SPACER DISC BG80-100 ATB VP.	1



IPH-O65/125-1,1/4-IE2 (2105770)

Item	Article no.	Description	Quantity
1.1	2051154	IMPELLER IPH-O65/125 KIT	1
1.11		> IMPELLER IPH65/125(124) FGL BALANCED	1
1.12	2162632	> Flat gasket 173X165X1,5 C-4509 VP.	1
1.13	2162645	> Nut HEWI12X125 8 A2A VP.	1
1.14	2162646	> Key C 6X6X32 112 VP.	1
1.15	2162644	> Washer B12.5A25C4 VP.	1
1.2	4094357	MECHANICAL SEAL IPH-O KIT	1
1.12	2162632	> Flat gasket 173X165X1,5 C-4509 VP.	1
1.21		> ROTAT-RING-22.36.31NBR31.14.54-CYCLAM	1
1.22		> 22.37.6IN64.14INTERB.CYCLAM	1
1.32	2163927	> Circlip D.35X1.5 VP.	1
1.33	2150975	> Retaining ring IPH VP.	1
1.34	2163928	> O-Ring D.50X3 DF801 VP.	1
1.35	2163930	> O-Ring D.4,9X1,9 DF1438 VP.	1
1.36	2163932	> Venting screw IPH VP.	1
1.42	2163933	> Gasket D.20X2 DF801 VP.	1
1.3	2051148	COOLANT HOUSING IPH-O65-80/110-125 KIT	1
1.12	2162632	> Flat gasket 173X165X1,5 C-4509 VP.	1
1.13	2162645	> Nut HEWI12X125 8 A2A VP.	1
1.15	2162644	> Washer B12.5A25C4 VP.	1
1.31		> COOLING CAS.IPH20/160+65-80/110-125PAINT	1
1.32	2163927	> Circlip D.35X1.5 VP.	1
1.33	2150975	> Retaining ring IPH VP.	1
1.34	2163928	> O-Ring D.50X3 DF801 VP.	1
1.35	2163930	> O-Ring D.4,9X1,9 DF1438 VP.	1
1.36	2163932	> Venting screw IPH VP.	1
1.4	2051141	INTERMEDIATE PIECE IPH-O KIT	1
1.12	2162632	> Flat gasket 173X165X1,5 C-4509 VP.	1
1.13	2162645	> Nut HEWI12X125 8 A2A VP.	1
1.15	2162644	> Washer B12.5A25C4 VP.	1
1.32	2163927	> Circlip D.35X1.5 VP.	1
1.33	2150975	> Retaining ring IPH VP.	1
1.34	2163928	> O-Ring D.50X3 DF801 VP.	1
1.41		> LANTERN P130X110-F196 (IPH20/65/80)PAINT	1

IPH-O65/125-1,1/4-IE2 (2105770)

Item	Article no.	Description	Quantity
1.42	2163933	> Gasket D.20X2 DF801 VP.	1
1.43	2163934	> Plug 1/8" GF290 FM VP.	1
2	2174744	Motor 1,1-4T24B5-90F13RU-A18x237-IE3 VP.	1
2		Spare parts motor 1,1/4/90 IE2	1
2		Spare parts motor:on request for IE3	1
3	2051153	PH.IPH-O65/125-1,1+/110-125-2,2 KIT	1
1.12	2162632	> Flat gasket 173X165X1,5 C-4509 VP.	1
3.1		> PUMP HOUSING IPH65/125 PAINTED	1
4	2106311	SCREW M8X30 ISO4762 12.9 (4 PIECES)	1
5	2123552	SCREW M8X40 ISO4762 8.8 (4 PIECES)	1
7	2112817	NUT M8-8 ISO4032 GEOMET (4 PIECES)	1
	2064424	COUNTER FLANGE IPH-O DN65 KIT	1
		> Flange EN1092-1/11C/DN65 PN25	1
	2163944	> Flat gasket D.109x95x1,5 C-4509 VP.	1

Motor-Typenschild/ Motor type plate/ Plaque identité moteur

Bei Ersatzteilbestellung Motor-Nummer angeben!

Indicate motor number for order of spare parts!

Pour une commande de pièces détachées, donner le numéro du moteur!

LS

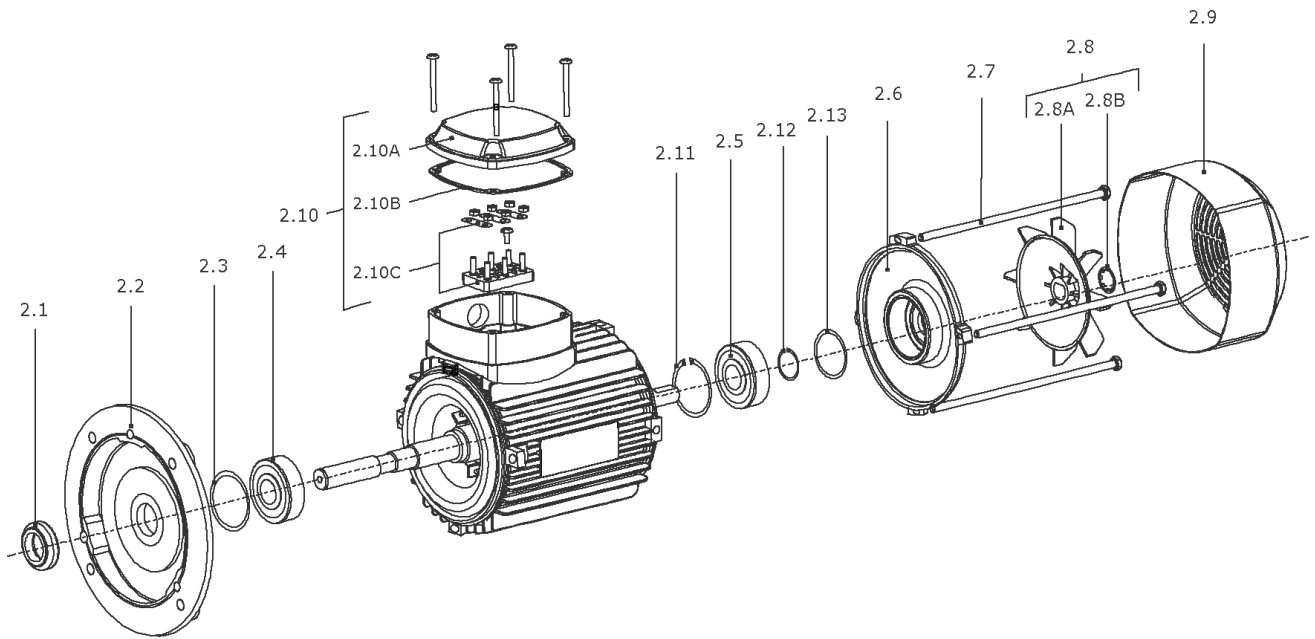
		3~LSES80L T						
		N° 216784 XD 001		IE2				
IP 55 1K08 cl.F 40° C SS1		11kg		80,6				
	V	Hz	min-1	kW	cosP	A	V	A
△	230	50	2870	1.10	0.85	3.00		
人	400	50	2870	1.10	0.85	2.30		

ATB

3-Mot	LF 80/2Z-11 IE2	/0609				
S1	IMB5	2280776	-0001 11767A			
IP 55	Th.Cl. 155(F)					
	Schwinggroessenstufe A					
	Wilo-Nr. 2118936					
kW	V	Hz	A	cos φ	1/min	
1,10	YΔ 400/230	50	2,25/3,90	0.86	2880	IE2-79,6
1,10	YΔ 460/265	60	1,95/3,40	0.85	3490	IE2-82,5
IE75//50		kg	EN 60034		IE 2	

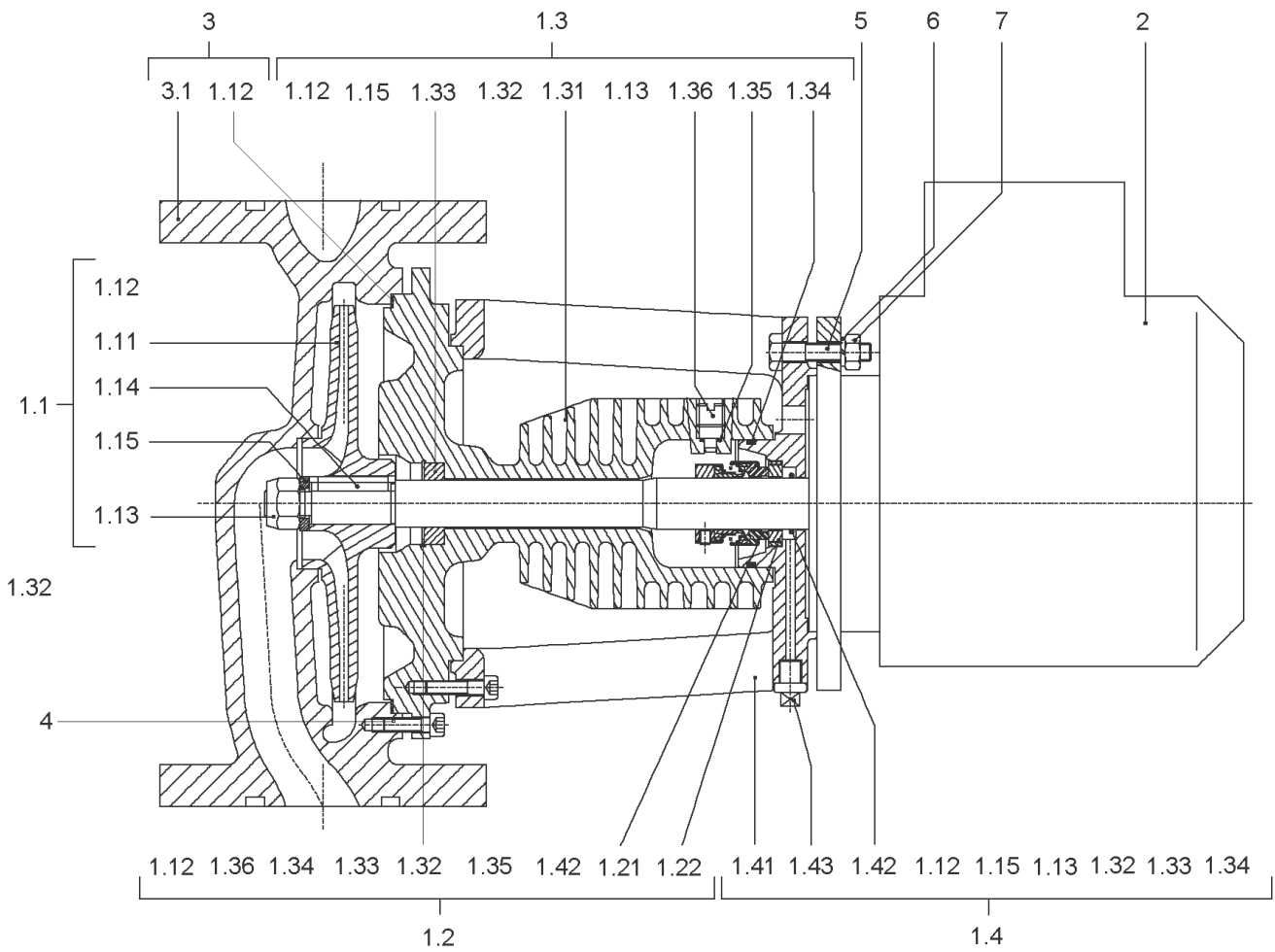
Spare parts motor 1,1/4/90 IE2

Item	Description	Quantity
LS	MOTOR 1,1-4T24B5-90F13-RU-A18X237-IE2-LS	1
Note: spare parts on request /Ersatzteile auf Anfrage /pieces de rechange sur demande		
ATB	Motor 1,1-4T24B5-90F13RU-A18x237-IE2ATB	1



Motor 1,1-4T24B5-90F13RU-A18x237-IE2ATB

Item	Article no.	Description	Quantity
2.1	2112921	JOINT RING CIRCULAR 25X35X4 ATB VP.	1
2.2	2164166	Capacitor 25µF 400VDB VP.	1
2.3	2096256	SHIM BALL BEARING BG90/100 ATB VP.	1
2.4	121083998	BALL BEARING 6205/2Z-C3 (HT) VP.	1
2.5	121083998	BALL BEARING 6205/2Z-C3 (HT) VP.	1
2.6	2123946	END SHIELD BG90/100 N.D.E.ATB VP.	1
2.7	2112674	SCREW END SHIELD M5X190 ATB(4 PIECES)	1
2.8	2123911	FAN WHEEL BG90 ATB KIT	1
2.8A		> FAN WHEEL BG90 721183 ATB	1
2.8B	2047016	> CORRUGATED SLEEVE RING BG90/100 ATB VP.	1
Note: Please give the data from type plate of the motor			
2.9	2150919	Fan housing BG90/100 RAL7001 ATB VP.	1
2.10	2124004	TERMINAL BOX CPL.BG90 ATB KIT	1
2.10A	2114270	> Term.box cover+gasket BG90-112 ATB VP.	1
Note: Please give the data from type plate of the motor			
2.10B	2096239	> GASKETS TERMINAL BOX BG90-112 ATB VP.	1
Note: Please give the data from type plate of the motor			
2.10C	2150996	> Terminal board cpl.BG56-132 ATB VP.	1
Note: Please give the data from type plate of the motor			
2.11	2112677	CIRCLIP 52X2 J ATB VP.	1
2.12	2112922	CIRCLIP 25X1,2 DIN471 ATB VP.	1
2.13	2096272	SPACER DISC BG80-100 ATB VP.	1



IPH-O65/140-1,1/4-IE2 (2105771)

Item	Article no.	Description	Quantity
1.1	2051152	IMPELLER IPH-O65/140/1,1+4KW KIT	1
1.11		> IMPELLER IPH65/140(145) FGL BALANCED	1
1.12	2162632	> Flat gasket 173X165X1,5 C-4509 VP.	1
1.13	2162645	> Nut HEWI12X125 8 A2A VP.	1
1.14	2162646	> Key C 6X6X32 112 VP.	1
1.15	2162644	> Washer B12.5A25C4 VP.	1
1.2	4094357	MECHANICAL SEAL IPH-O KIT	1
1.12	2162632	> Flat gasket 173X165X1,5 C-4509 VP.	1
1.21		> ROTAT-RING-22.36.31NBR31.14.54-CYCLAM	1
1.22		> 22.37.6IN64.14INTERB.CYCLAM	1
1.32	2163927	> Circlip D.35X1.5 VP.	1
1.33	2150975	> Retaining ring IPH VP.	1
1.34	2163928	> O-Ring D.50X3 DF801 VP.	1
1.35	2163930	> O-Ring D.4,9X1,9 DF1438 VP.	1
1.36	2163932	> Venting screw IPH VP.	1
1.42	2163933	> Gasket D.20X2 DF801 VP.	1
1.3	2051151	COOLANT HOUSING IPH-O65/140-160 KIT	1
1.12	2162632	> Flat gasket 173X165X1,5 C-4509 VP.	1
1.13	2162645	> Nut HEWI12X125 8 A2A VP.	1
1.15	2162644	> Washer B12.5A25C4 VP.	1
1.31		> COOLING CASASING IPH65/140-160 PAINTED	1
1.32	2163927	> Circlip D.35X1.5 VP.	1
1.33	2150975	> Retaining ring IPH VP.	1
1.34	2163928	> O-Ring D.50X3 DF801 VP.	1
1.35	2163930	> O-Ring D.4,9X1,9 DF1438 VP.	1
1.36	2163932	> Venting screw IPH VP.	1
1.4	2051141	INTERMEDIATE PIECE IPH-O KIT	1
1.12	2162632	> Flat gasket 173X165X1,5 C-4509 VP.	1
1.13	2162645	> Nut HEWI12X125 8 A2A VP.	1
1.15	2162644	> Washer B12.5A25C4 VP.	1
1.32	2163927	> Circlip D.35X1.5 VP.	1
1.33	2150975	> Retaining ring IPH VP.	1
1.34	2163928	> O-Ring D.50X3 DF801 VP.	1
1.41		> LANTERN P130X110-F196 (IPH20/65/80)PAINT	1

IPH-O65/140-1,1/4-IE2 (2105771)

Item	Article no.	Description	Quantity
1.42	2163933	> Gasket D.20X2 DF801 VP.	1
1.43	2163934	> Plug 1/8" GF290 FM VP.	1
2	2174744	Motor 1,1-4T24B5-90F13RU-A18x237-IE3 VP.	1
2		Spare parts motor 1,1/4/90 IE2	1
2		Spare parts motor:on request for IE3	1
3	2051149	PUMP HOUSING IPH-O65/140-160 KIT	1
1.12	2162632	> Flat gasket 173X165X1,5 C-4509 VP.	1
3.1		> PUMP HOUSING IPH65/160 PAINTED	1
4	2106311	SCREW M8X30 ISO4762 12.9 (4 PIECES)	1
5	2123552	SCREW M8X40 ISO4762 8.8 (4 PIECES)	1
7	2112817	NUT M8-8 ISO4032 GEOMET (4 PIECES)	1
	2064424	COUNTER FLANGE IPH-O DN65 KIT	1
		> Flange EN1092-1/11C/DN65 PN25	1
	2163944	> Flat gasket D.109x95x1,5 C-4509 VP.	1

Motor-Typenschild/ Motor type plate/ Plaque identité moteur

Bei Ersatzteilbestellung Motor-Nummer angeben!

Indicate motor number for order of spare parts!

Pour une commande de pièces détachées, donner le numéro du moteur!

LS

		3~LSES80L T			
SOMER		N° 216784 XD 001		IE2	
IP 55 1K08 cl.F 40° C SS1		11kg		80,6	

	V	Hz	min-1	kW	cosP	A	V	A
△	230	50	2870	1.10	0.85	3.00		
人	400	50	2870	1.10	0.85	2.30		

ATB

3-Mot	LF 80/2Z-11 IE2	/0609	
S1	IMB5	2280776	-0001 11767A
IP 55	Th.Cl. 155(F)		

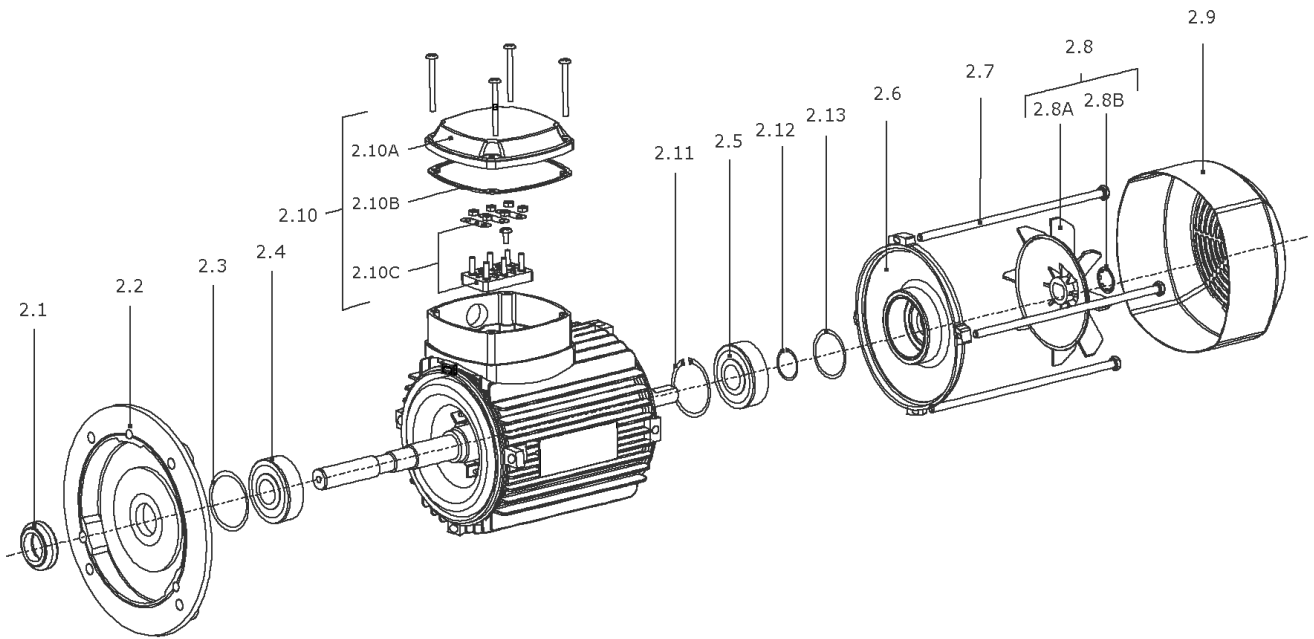
Schwinggroessenstufe A
Wilo-Nr. 2118936

kW	V	Hz	A	cos φ	1/min	
1,10	YΔ 400/230	50	2,25/3,90	0.86	2880	IE2-79,6
1,10	YΔ 460/265	60	1,95/3,40	0.85	3490	IE2-82,5

IE75//50 kg EN 60034 IE 2

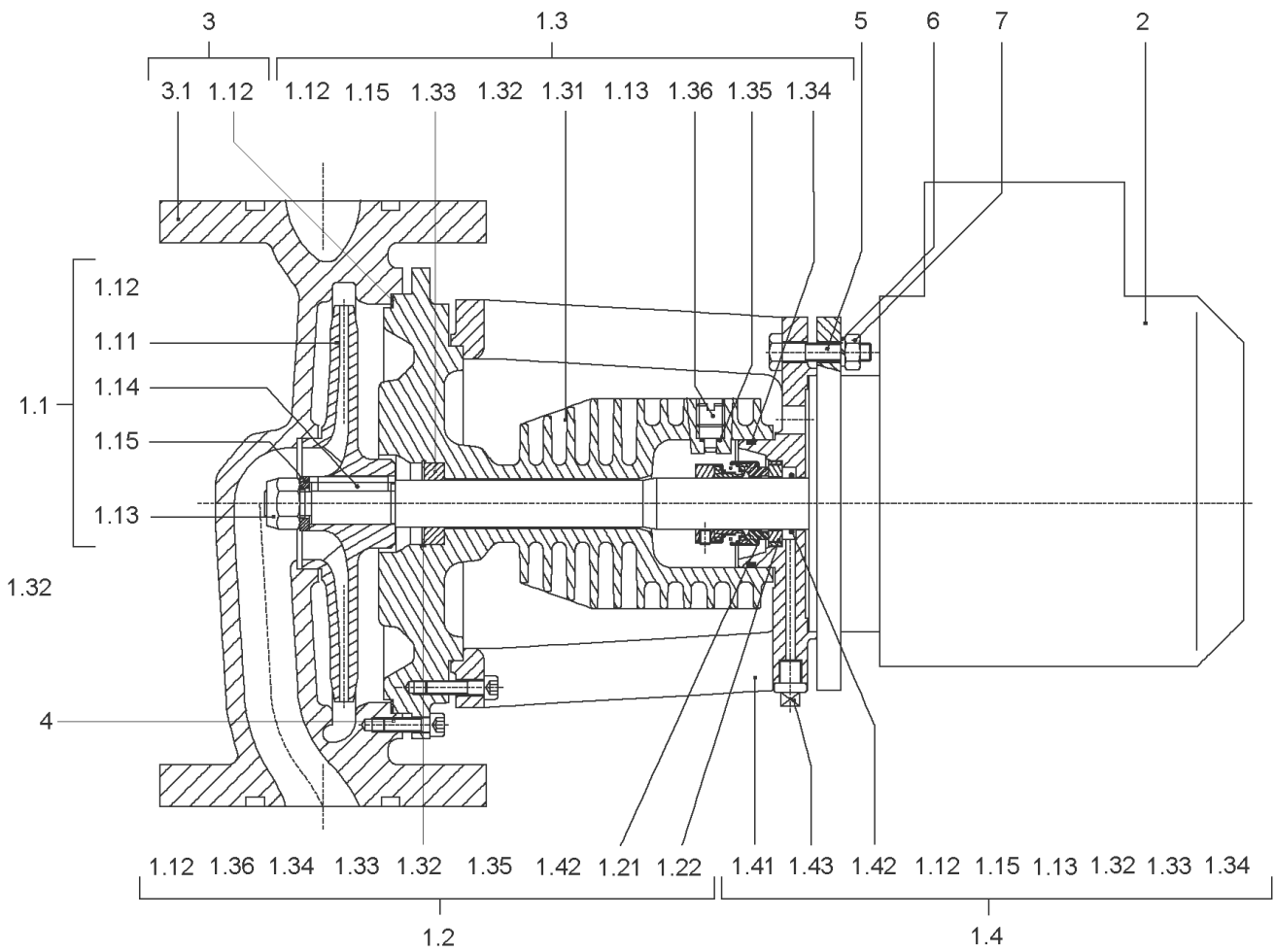
Spare parts motor 1,1/4/90 IE2

Item	Description	Quantity
LS	MOTOR 1,1-4T24B5-90F13-RU-A18X237-IE2-LS	1
Note: spare parts on request /Ersatzteile auf Anfrage /pieces de rechange sur demande		
ATB	Motor 1,1-4T24B5-90F13RU-A18x237-IE2ATB	1



Motor 1,1-4T24B5-90F13RU-A18x237-IE2ATB

Item	Article no.	Description	Quantity
2.1	2112921	JOINT RING CIRCULAR 25X35X4 ATB VP.	1
2.2	2164166	Capacitor 25µF 400VDB VP.	1
2.3	2096256	SHIM BALL BEARING BG90/100 ATB VP.	1
2.4	121083998	BALL BEARING 6205/2Z-C3 (HT) VP.	1
2.5	121083998	BALL BEARING 6205/2Z-C3 (HT) VP.	1
2.6	2123946	END SHIELD BG90/100 N.D.E.ATB VP.	1
2.7	2112674	SCREW END SHIELD M5X190 ATB(4 PIECES)	1
2.8	2123911	FAN WHEEL BG90 ATB KIT	1
2.8A		> FAN WHEEL BG90 721183 ATB	1
2.8B	2047016	> CORRUGATED SLEEVE RING BG90/100 ATB VP.	1
Note: Please give the data from type plate of the motor			
2.9	2150919	Fan housing BG90/100 RAL7001 ATB VP.	1
2.10	2124004	TERMINAL BOX CPL.BG90 ATB KIT	1
2.10A	2114270	> Term.box cover+gasket BG90-112 ATB VP.	1
Note: Please give the data from type plate of the motor			
2.10B	2096239	> GASKETS TERMINAL BOX BG90-112 ATB VP.	1
Note: Please give the data from type plate of the motor			
2.10C	2150996	> Terminal board cpl.BG56-132 ATB VP.	1
Note: Please give the data from type plate of the motor			
2.11	2112677	CIRCLIP 52X2 J ATB VP.	1
2.12	2112922	CIRCLIP 25X1,2 DIN471 ATB VP.	1
2.13	2096272	SPACER DISC BG80-100 ATB VP.	1



IPH-O65/160-1,1/4-IE2 (2105772)

Item	Article no.	Description	Quantity
1.1	2051150	IMPELLER IPH-O65/160 KIT	1
1.11		> IMPELLER IPH65/160(159) FGL BALANCED	1
1.12	2162632	> Flat gasket 173X165X1,5 C-4509 VP.	1
1.13	2162645	> Nut HEWI12X125 8 A2A VP.	1
1.14	2162646	> Key C 6X6X32 112 VP.	1
1.15	2162644	> Washer B12.5A25C4 VP.	1
1.2	4094357	MECHANICAL SEAL IPH-O KIT	1
1.12	2162632	> Flat gasket 173X165X1,5 C-4509 VP.	1
1.21		> ROTAT-RING-22.36.31NBR31.14.54-CYCLAM	1
1.22		> 22.37.6IN64.14INTERB.CYCLAM	1
1.32	2163927	> Circlip D.35X1.5 VP.	1
1.33	2150975	> Retaining ring IPH VP.	1
1.34	2163928	> O-Ring D.50X3 DF801 VP.	1
1.35	2163930	> O-Ring D.4,9X1,9 DF1438 VP.	1
1.36	2163932	> Venting screw IPH VP.	1
1.42	2163933	> Gasket D.20X2 DF801 VP.	1
1.3	2051151	COOLANT HOUSING IPH-O65/140-160 KIT	1
1.12	2162632	> Flat gasket 173X165X1,5 C-4509 VP.	1
1.13	2162645	> Nut HEWI12X125 8 A2A VP.	1
1.15	2162644	> Washer B12.5A25C4 VP.	1
1.31		> COOLING CASASING IPH65/140-160 PAINTED	1
1.32	2163927	> Circlip D.35X1.5 VP.	1
1.33	2150975	> Retaining ring IPH VP.	1
1.34	2163928	> O-Ring D.50X3 DF801 VP.	1
1.35	2163930	> O-Ring D.4,9X1,9 DF1438 VP.	1
1.36	2163932	> Venting screw IPH VP.	1
1.4	2051141	INTERMEDIATE PIECE IPH-O KIT	1
1.12	2162632	> Flat gasket 173X165X1,5 C-4509 VP.	1
1.13	2162645	> Nut HEWI12X125 8 A2A VP.	1
1.15	2162644	> Washer B12.5A25C4 VP.	1
1.32	2163927	> Circlip D.35X1.5 VP.	1
1.33	2150975	> Retaining ring IPH VP.	1
1.34	2163928	> O-Ring D.50X3 DF801 VP.	1
1.41		> LANTERN P130X110-F196 (IPH20/65/80)PAINT	1

IPH-O65/160-1,1/4-IE2 (2105772)

Item	Article no.	Description	Quantity
1.42	2163933	> Gasket D.20X2 DF801 VP.	1
1.43	2163934	> Plug 1/8" GF290 FM VP.	1
2	2174744	Motor 1,1-4T24B5-90F13RU-A18x237-IE3 VP.	1
2		Spare parts motor 1,1/4/90 IE2	1
2		Spare parts motor:on request for IE3	1
3	2051149	PUMP HOUSING IPH-O65/140-160 KIT	1
1.12	2162632	> Flat gasket 173X165X1,5 C-4509 VP.	1
3.1		> PUMP HOUSING IPH65/160 PAINTED	1
4	2106311	SCREW M8X30 ISO4762 12.9 (4 PIECES)	1
5	2123552	SCREW M8X40 ISO4762 8.8 (4 PIECES)	1
7	2112817	NUT M8-8 ISO4032 GEOMET (4 PIECES)	1
	2064424	COUNTER FLANGE IPH-O DN65 KIT	1
		> Flange EN1092-1/11C/DN65 PN25	1
	2163944	> Flat gasket D.109x95x1,5 C-4509 VP.	1

Motor-Typenschild/ Motor type plate/ Plaque identité moteur

Bei Ersatzteilbestellung Motor-Nummer angeben!

Indicate motor number for order of spare parts!

Pour une commande de pièces détachées, donner le numéro du moteur!

LS

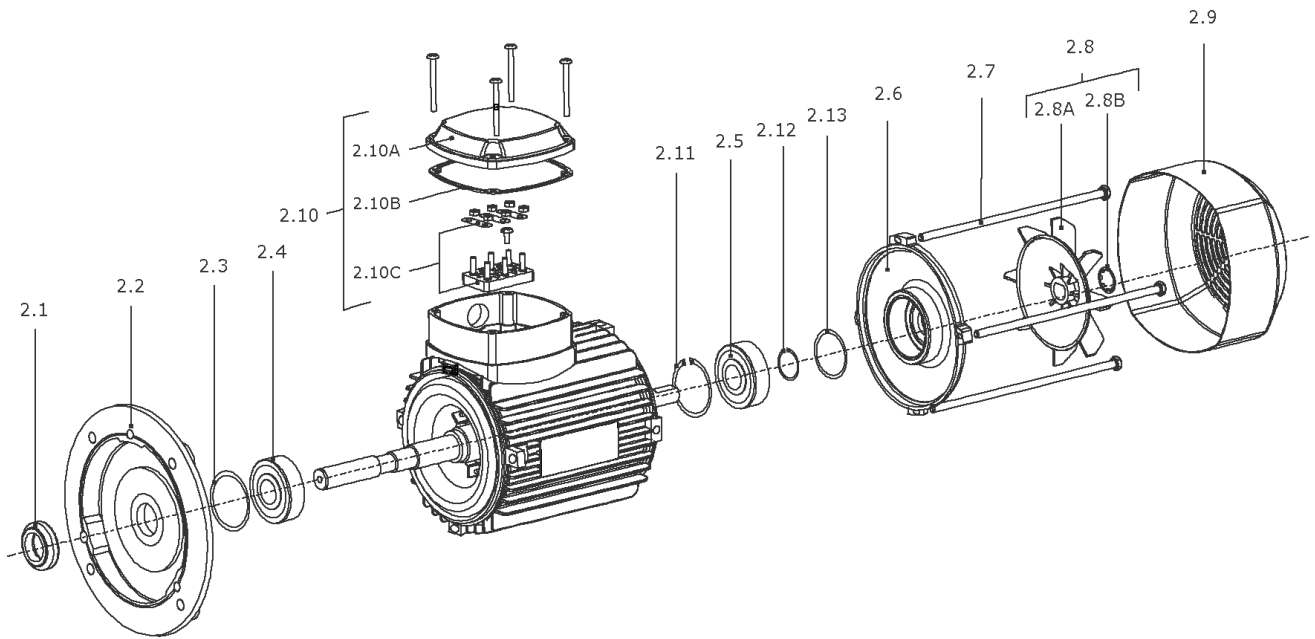
		3~LSES80L T						
		N° 216784 XD 001		IE2				
IP 55 1K08 cl.F 40° C SS1		11kg		80,6				
	V	Hz	min-1	kW	cosP	A	V	A
△	230	50	2870	1.10	0.85	3.00		
人	400	50	2870	1.10	0.85	2.30		

ATB

3-Mot	LF 80/2Z-11 IE2	/0609				
S1	IMB5	2280776	-0001 11767A			
IP 55	Th.Cl. 155(F)					
	Schwinggroessenstufe A					
	Wilo-Nr. 2118936					
kW	V	Hz	A	cos φ	1/min	
1,10	YΔ 400/230	50	2,25/3,90	0.86	2880	IE2-79,6
1,10	YΔ 460/265	60	1,95/3,40	0.85	3490	IE2-82,5
IE75//50		kg	EN 60034		IE 2	

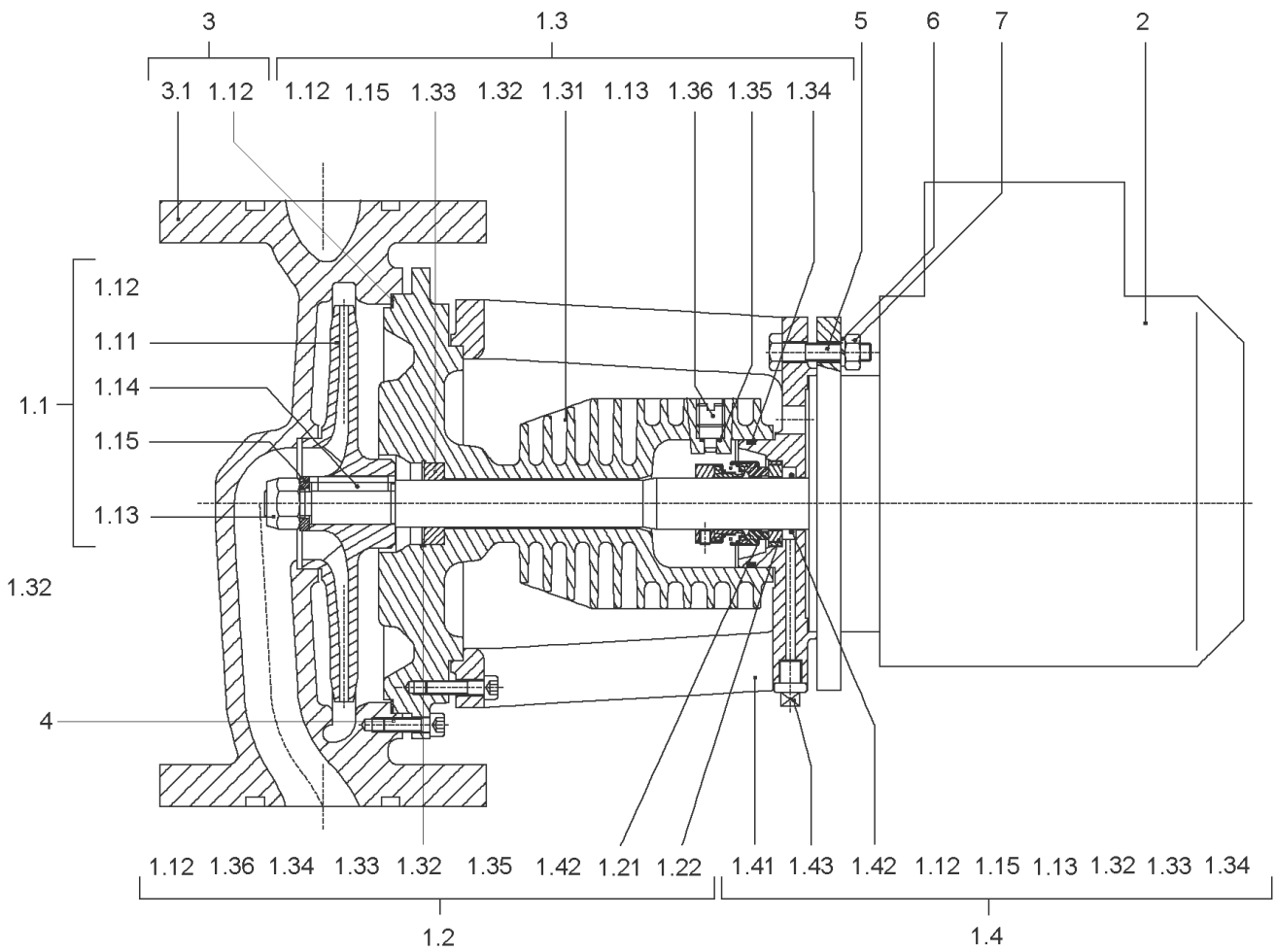
Spare parts motor 1,1/4/90 IE2

Item	Description	Quantity
LS	MOTOR 1,1-4T24B5-90F13-RU-A18X237-IE2-LS	1
Note: spare parts on request /Ersatzteile auf Anfrage /pieces de rechange sur demande		
ATB	Motor 1,1-4T24B5-90F13RU-A18x237-IE2ATB	1



Motor 1,1-4T24B5-90F13RU-A18x237-IE2ATB

Item	Article no.	Description	Quantity
2.1	2112921	JOINT RING CIRCULAR 25X35X4 ATB VP.	1
2.2	2164166	Capacitor 25µF 400VDB VP.	1
2.3	2096256	SHIM BALL BEARING BG90/100 ATB VP.	1
2.4	121083998	BALL BEARING 6205/2Z-C3 (HT) VP.	1
2.5	121083998	BALL BEARING 6205/2Z-C3 (HT) VP.	1
2.6	2123946	END SHIELD BG90/100 N.D.E.ATB VP.	1
2.7	2112674	SCREW END SHIELD M5X190 ATB(4 PIECES)	1
2.8	2123911	FAN WHEEL BG90 ATB KIT	1
2.8A		> FAN WHEEL BG90 721183 ATB	1
2.8B	2047016	> CORRUGATED SLEEVE RING BG90/100 ATB VP.	1
Note: Please give the data from type plate of the motor			
2.9	2150919	Fan housing BG90/100 RAL7001 ATB VP.	1
2.10	2124004	TERMINAL BOX CPL.BG90 ATB KIT	1
2.10A	2114270	> Term.box cover+gasket BG90-112 ATB VP.	1
Note: Please give the data from type plate of the motor			
2.10B	2096239	> GASKETS TERMINAL BOX BG90-112 ATB VP.	1
Note: Please give the data from type plate of the motor			
2.10C	2150996	> Terminal board cpl.BG56-132 ATB VP.	1
Note: Please give the data from type plate of the motor			
2.11	2112677	CIRCLIP 52X2 J ATB VP.	1
2.12	2112922	CIRCLIP 25X1,2 DIN471 ATB VP.	1
2.13	2096272	SPACER DISC BG80-100 ATB VP.	1



IPH-O80/140-1,1/4-IE2 (2105773)

Item	Article no.	Description	Quantity
1.1	2162648	Impeller IPH-O80/140 KIT	1
1.11		> IMPELLER IPH80/140(143) FGL BALANCED	1
1.12	2162632	> Flat gasket 173X165X1,5 C-4509 VP.	1
1.13	2162645	> Nut HEWI12X125 8 A2A VP.	1
1.14	2162646	> Key C 6X6X32 112 VP.	1
1.15	2162644	> Washer B12.5A25C4 VP.	1
1.2	4094357	MECHANICAL SEAL IPH-O KIT	1
1.12	2162632	> Flat gasket 173X165X1,5 C-4509 VP.	1
1.21		> ROTAT-RING-22.36.31NBR31.14.54-CYCLAM	1
1.22		> 22.37.6IN64.14INTERB.CYCLAM	1
1.32	2163927	> Circlip D.35X1.5 VP.	1
1.33	2150975	> Retaining ring IPH VP.	1
1.34	2163928	> O-Ring D.50X3 DF801 VP.	1
1.35	2163930	> O-Ring D.4,9X1,9 DF1438 VP.	1
1.36	2163932	> Venting screw IPH VP.	1
1.42	2163933	> Gasket D.20X2 DF801 VP.	1
1.3	2051139	COOLANT HOUSING IPH-O80/140-160 KIT	1
1.12	2162632	> Flat gasket 173X165X1,5 C-4509 VP.	1
1.13	2162645	> Nut HEWI12X125 8 A2A VP.	1
1.15	2162644	> Washer B12.5A25C4 VP.	1
1.31		> COOLING CASASING IPH80/140-160 PAINTED	1
1.32	2163927	> Circlip D.35X1.5 VP.	1
1.33	2150975	> Retaining ring IPH VP.	1
1.34	2163928	> O-Ring D.50X3 DF801 VP.	1
1.35	2163930	> O-Ring D.4,9X1,9 DF1438 VP.	1
1.36	2163932	> Venting screw IPH VP.	1
1.4	2051141	INTERMEDIATE PIECE IPH-O KIT	1
1.12	2162632	> Flat gasket 173X165X1,5 C-4509 VP.	1
1.13	2162645	> Nut HEWI12X125 8 A2A VP.	1
1.15	2162644	> Washer B12.5A25C4 VP.	1
1.32	2163927	> Circlip D.35X1.5 VP.	1
1.33	2150975	> Retaining ring IPH VP.	1
1.34	2163928	> O-Ring D.50X3 DF801 VP.	1
1.41		> LANTERN P130X110-F196 (IPH20/65/80)PAINT	1

IPH-O80/140-1,1/4-IE2 (2105773)

Item	Article no.	Description	Quantity
1.42	2163933	> Gasket D.20X2 DF801 VP.	1
1.43	2163934	> Plug 1/8" GF290 FM VP.	1
2	2174744	Motor 1,1-4T24B5-90F13RU-A18x237-IE3 VP.	1
2		Spare parts motor 1,1/4/90 IE2	1
2		Spare parts motor:on request for IE3	1
3	2051142	PUMP HOUSING IPH-O80/140-160 KIT	1
1.12	2162632	> Flat gasket 173X165X1,5 C-4509 VP.	1
3.1		> PUMP HOUSING IPH80/160 PAINTED	1
4	2106311	SCREW M8X30 ISO4762 12.9 (4 PIECES)	1
5	2123552	SCREW M8X40 ISO4762 8.8 (4 PIECES)	1
7	2112817	NUT M8-8 ISO4032 GEOMET (4 PIECES)	1
	2064426	COUNTER FLANGE IPH-O DN80 KIT	1
		> Flange EN1092-1/11C/DN80 PN25	1
	2163945	> Flat gasket D.120x106x1,5 C-4509 VP.	1

Spare parts motor 1,1/4/90 IE2

Motor-Typenschild/ Motor type plate/ Plaque identité moteur

Bei Ersatzteilbestellung Motor-Nummer angeben!

Indicate motor number for order of spare parts!

Pour une commande de pièces détachées, donner le numéro du moteur!

LS

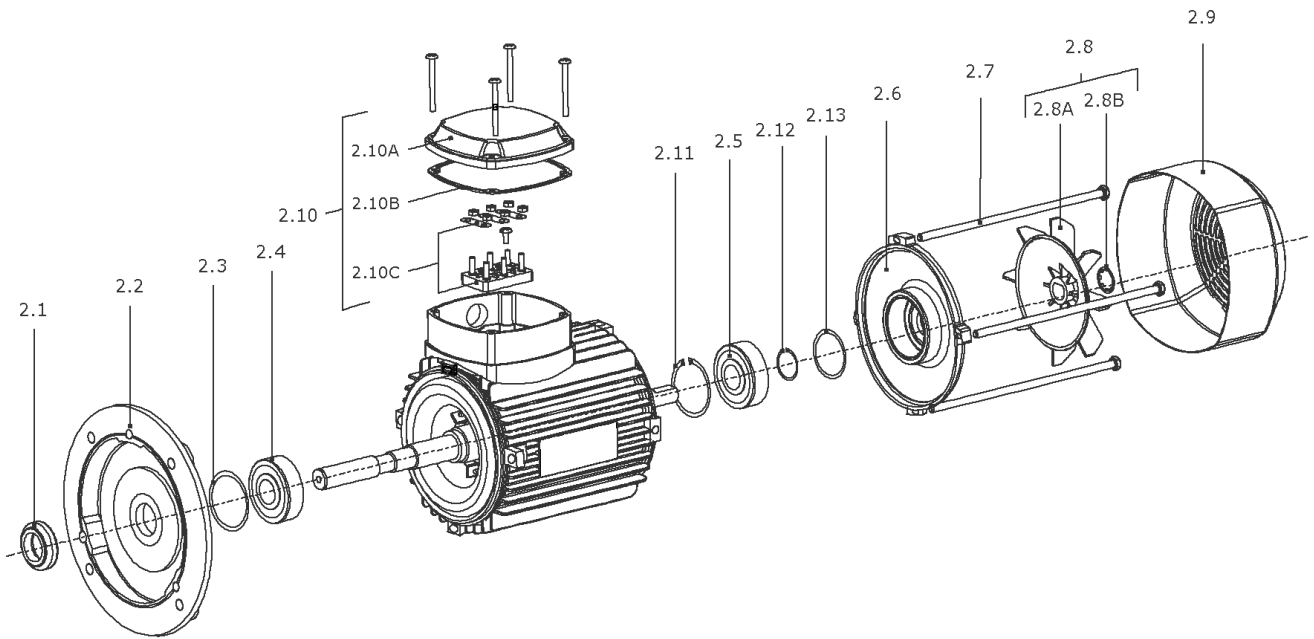
		° 3~LSES80L T							
SOMER		N° 216784 XD 001		IE2					
IP 55 1K08 cl.F 40° C SS1		11kg		80,6					
○	V	Hz	min-1	kW	cosP	A	V	Λ	○
△	230	50	2870	1.10	0.85	3.00			
人	400	50	2870	1.10	0.85	2.30			

ATB

3-Mot	LF 80/2Z-11 IE2	/0609				
S1	IMB5	2280776	-0001 11767A			
IP 55	Th.Cl. 155(F)					
○	Schwinggroessenstufe A			○		
Wilo-Nr. 2118936						
kW	V	Hz	A	cos φ	1/min	
1,10	YΔ 400/230	50	2,25/3,90	0.86	2880	IE2-79,6
1,10	YΔ 460/265	60	1,95/3,40	0.85	3490	IE2-82,5
IE75//50		kg	EN 60034		IE 2	

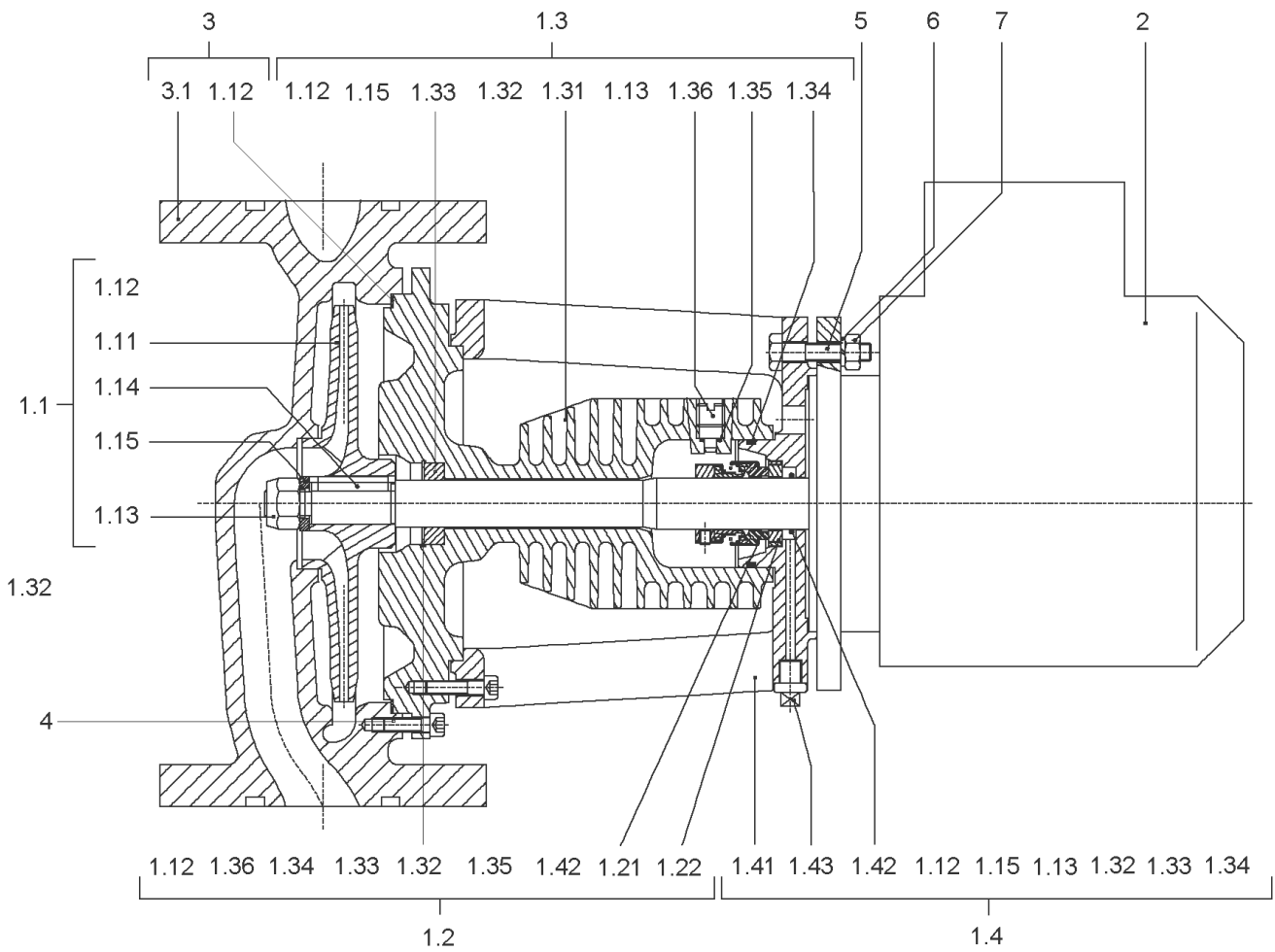
Spare parts motor 1,1/4/90 IE2

Item	Description	Quantity
LS	MOTOR 1,1-4T24B5-90F13-RU-A18X237-IE2-LS	1
Note: spare parts on request /Ersatzteile auf Anfrage /pieces de rechange sur demande		
ATB	Motor 1,1-4T24B5-90F13RU-A18x237-IE2ATB	1



Motor 1,1-4T24B5-90F13RU-A18x237-IE2ATB

Item	Article no.	Description	Quantity
2.1	2112921	JOINT RING CIRCULAR 25X35X4 ATB VP.	1
2.2	2164166	Capacitor 25µF 400VDB VP.	1
2.3	2096256	SHIM BALL BEARING BG90/100 ATB VP.	1
2.4	121083998	BALL BEARING 6205/2Z-C3 (HT) VP.	1
2.5	121083998	BALL BEARING 6205/2Z-C3 (HT) VP.	1
2.6	2123946	END SHIELD BG90/100 N.D.E.ATB VP.	1
2.7	2112674	SCREW END SHIELD M5X190 ATB(4 PIECES)	1
2.8	2123911	FAN WHEEL BG90 ATB KIT	1
2.8A		> FAN WHEEL BG90 721183 ATB	1
2.8B	2047016	> CORRUGATED SLEEVE RING BG90/100 ATB VP.	1
Note: Please give the data from type plate of the motor			
2.9	2150919	Fan housing BG90/100 RAL7001 ATB VP.	1
2.10	2124004	TERMINAL BOX CPL.BG90 ATB KIT	1
2.10A	2114270	> Term.box cover+gasket BG90-112 ATB VP.	1
Note: Please give the data from type plate of the motor			
2.10B	2096239	> GASKETS TERMINAL BOX BG90-112 ATB VP.	1
Note: Please give the data from type plate of the motor			
2.10C	2150996	> Terminal board cpl.BG56-132 ATB VP.	1
Note: Please give the data from type plate of the motor			
2.11	2112677	CIRCLIP 52X2 J ATB VP.	1
2.12	2112922	CIRCLIP 25X1,2 DIN471 ATB VP.	1
2.13	2096272	SPACER DISC BG80-100 ATB VP.	1



IPH-O80/160-1,1/4-IE2 (2105774)

Item	Article no.	Description	Quantity
1.1	2051143	IMPELLER IPH-O80/160 KIT	1
1.11		> IMPELLER IPH80/160(159) FGL BALANCED	1
1.12	2162632	> Flat gasket 173X165X1,5 C-4509 VP.	1
1.13	2162645	> Nut HEWI12X125 8 A2A VP.	1
1.14	2162646	> Key C 6X6X32 112 VP.	1
1.15	2162644	> Washer B12.5A25C4 VP.	1
1.2	4094357	MECHANICAL SEAL IPH-O KIT	1
1.12	2162632	> Flat gasket 173X165X1,5 C-4509 VP.	1
1.21		> ROTAT-RING-22.36.31NBR31.14.54-CYCLAM	1
1.22		> 22.37.6IN64.14INTERB.CYCLAM	1
1.32	2163927	> Circlip D.35X1.5 VP.	1
1.33	2150975	> Retaining ring IPH VP.	1
1.34	2163928	> O-Ring D.50X3 DF801 VP.	1
1.35	2163930	> O-Ring D.4,9X1,9 DF1438 VP.	1
1.36	2163932	> Venting screw IPH VP.	1
1.42	2163933	> Gasket D.20X2 DF801 VP.	1
1.3	2051139	COOLANT HOUSING IPH-O80/140-160 KIT	1
1.12	2162632	> Flat gasket 173X165X1,5 C-4509 VP.	1
1.13	2162645	> Nut HEWI12X125 8 A2A VP.	1
1.15	2162644	> Washer B12.5A25C4 VP.	1
1.31		> COOLING CASASING IPH80/140-160 PAINTED	1
1.32	2163927	> Circlip D.35X1.5 VP.	1
1.33	2150975	> Retaining ring IPH VP.	1
1.34	2163928	> O-Ring D.50X3 DF801 VP.	1
1.35	2163930	> O-Ring D.4,9X1,9 DF1438 VP.	1
1.36	2163932	> Venting screw IPH VP.	1
1.4	2051141	INTERMEDIATE PIECE IPH-O KIT	1
1.12	2162632	> Flat gasket 173X165X1,5 C-4509 VP.	1
1.13	2162645	> Nut HEWI12X125 8 A2A VP.	1
1.15	2162644	> Washer B12.5A25C4 VP.	1
1.32	2163927	> Circlip D.35X1.5 VP.	1
1.33	2150975	> Retaining ring IPH VP.	1
1.34	2163928	> O-Ring D.50X3 DF801 VP.	1
1.41		> LANTERN P130X110-F196 (IPH20/65/80)PAINT	1

IPH-O80/160-1,1/4-IE2 (2105774)

Item	Article no.	Description	Quantity
1.42	2163933	> Gasket D.20X2 DF801 VP.	1
1.43	2163934	> Plug 1/8" GF290 FM VP.	1
2	2174744	Motor 1,1-4T24B5-90F13RU-A18x237-IE3 VP.	1
2		Spare parts motor 1,1/4/90 IE2	1
2		Spare parts motor:on request for IE3	1
3	2051142	PUMP HOUSING IPH-O80/140-160 KIT	1
1.12	2162632	> Flat gasket 173X165X1,5 C-4509 VP.	1
3.1		> PUMP HOUSING IPH80/160 PAINTED	1
4	2106311	SCREW M8X30 ISO4762 12.9 (4 PIECES)	1
5	2123552	SCREW M8X40 ISO4762 8.8 (4 PIECES)	1
7	2112817	NUT M8-8 ISO4032 GEOMET (4 PIECES)	1
	2064426	COUNTER FLANGE IPH-O DN80 KIT	1
		> Flange EN1092-1/11C/DN80 PN25	1
	2163945	> Flat gasket D.120x106x1,5 C-4509 VP.	1

Motor-Typenschild/ Motor type plate/ Plaque identité moteur

Bei Ersatzteilbestellung Motor-Nummer angeben!

Indicate motor number for order of spare parts!

Pour une commande de pièces détachées, donner le numéro du moteur!

LS

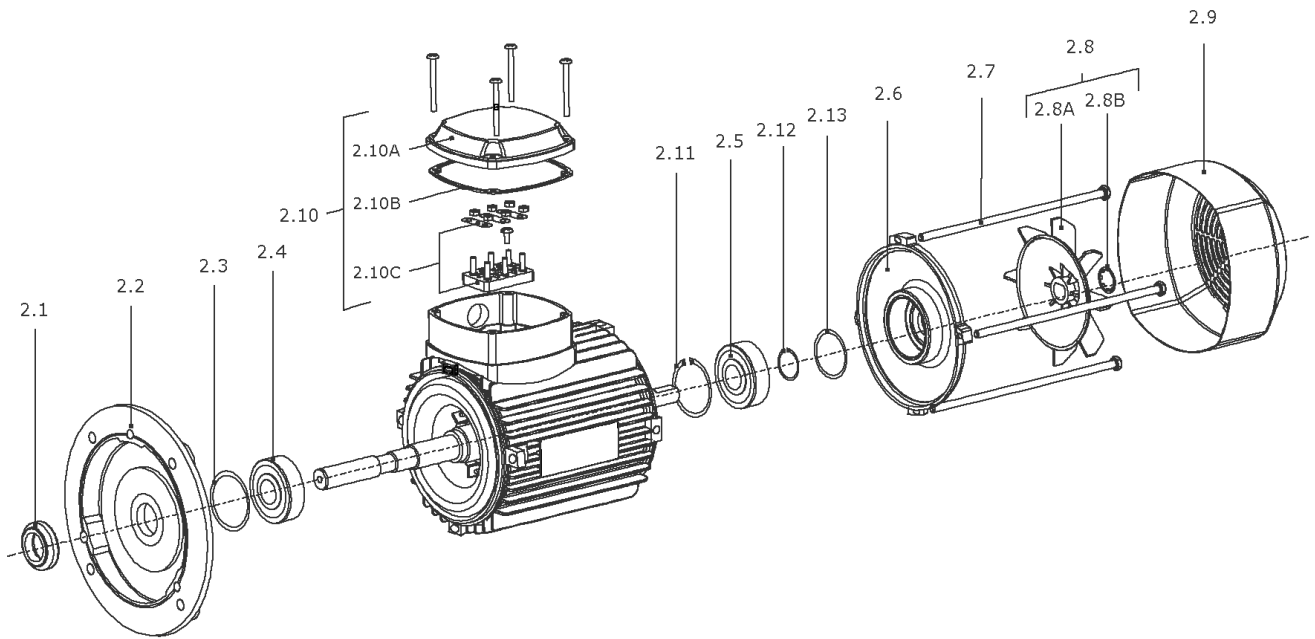
		3~LSES80L T							
		N° 216784 XD 001		IE2					
IP 55 1K08 cl.F 40° C SS1		11kg		80,6					
	V	Hz	min-1	kW	cosP	A	V	A	
Δ	230	50	2870	1.10	0.85	3.00			
λ	400	50	2870	1.10	0.85	2.30			

ATB

3-Mot	LF 80/2Z-11 IE2	/0609				
S1	IMB5	2280776	-0001 11767A			
IP 55	Th.Cl. 155(F)					
	Schwinggroessenstufe A					
Wilo-Nr. 2118936						
kW	V	Hz	A	cos Φ	1/min	
1,10	Δ 400/230	50	2,25/3,90	0.86	2880	IE2-79,6
1,10	λ 460/265	60	1,95/3,40	0.85	3490	IE2-82,5
IE75//50		kg	EN 60034		IE 2	

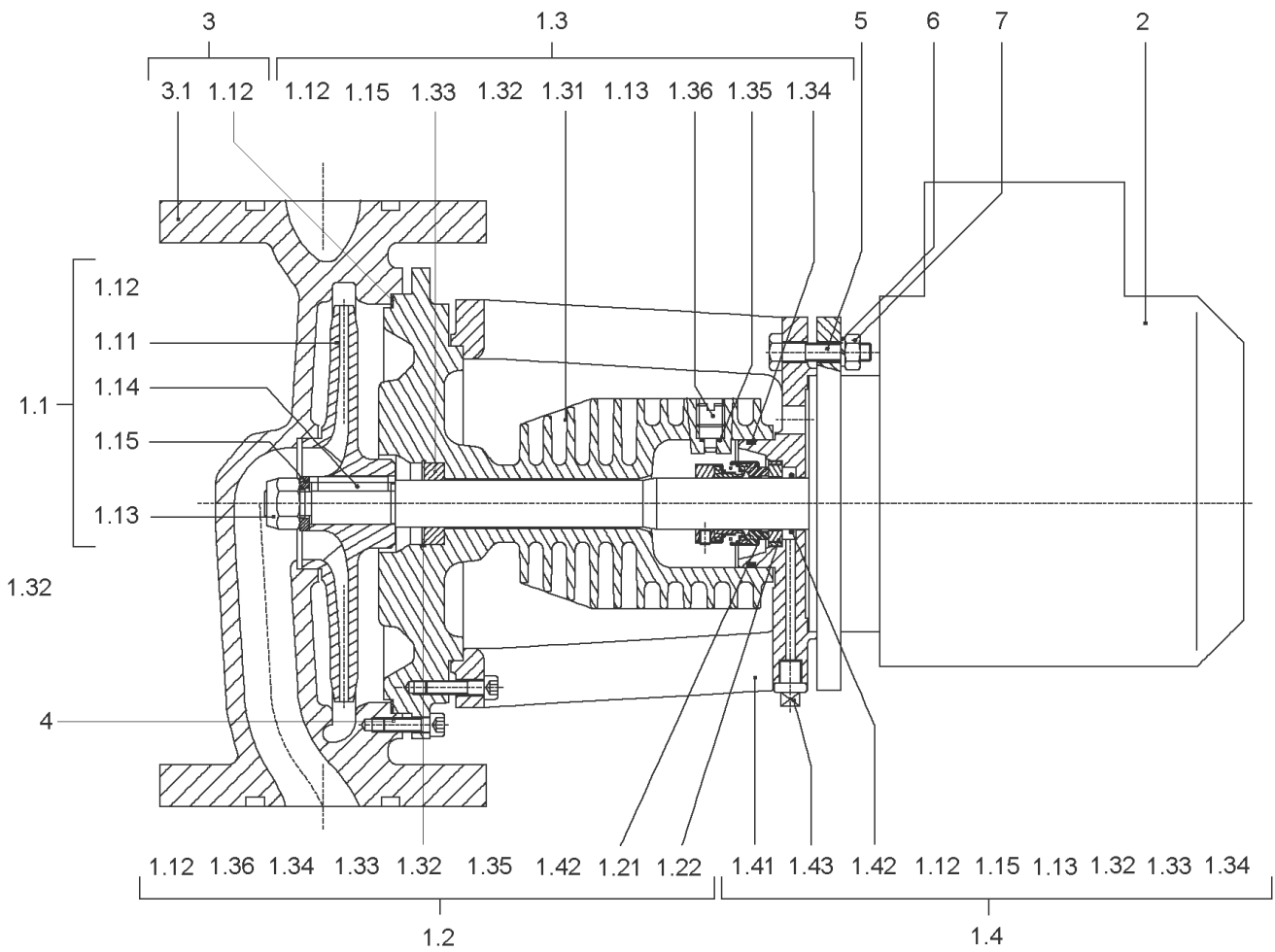
Spare parts motor 1,1/4/90 IE2

Item	Description	Quantity
LS	MOTOR 1,1-4T24B5-90F13-RU-A18X237-IE2-LS	1
Note: spare parts on request /Ersatzteile auf Anfrage /pieces de rechange sur demande		
ATB	Motor 1,1-4T24B5-90F13RU-A18x237-IE2ATB	1



Motor 1,1-4T24B5-90F13RU-A18x237-IE2ATB

Item	Article no.	Description	Quantity
2.1	2112921	JOINT RING CIRCULAR 25X35X4 ATB VP.	1
2.2	2164166	Capacitor 25µF 400VDB VP.	1
2.3	2096256	SHIM BALL BEARING BG90/100 ATB VP.	1
2.4	121083998	BALL BEARING 6205/2Z-C3 (HT) VP.	1
2.5	121083998	BALL BEARING 6205/2Z-C3 (HT) VP.	1
2.6	2123946	END SHIELD BG90/100 N.D.E.ATB VP.	1
2.7	2112674	SCREW END SHIELD M5X190 ATB(4 PIECES)	1
2.8	2123911	FAN WHEEL BG90 ATB KIT	1
2.8A		> FAN WHEEL BG90 721183 ATB	1
2.8B	2047016	> CORRUGATED SLEEVE RING BG90/100 ATB VP.	1
Note: Please give the data from type plate of the motor			
2.9	2150919	Fan housing BG90/100 RAL7001 ATB VP.	1
2.10	2124004	TERMINAL BOX CPL.BG90 ATB KIT	1
2.10A	2114270	> Term.box cover+gasket BG90-112 ATB VP.	1
Note: Please give the data from type plate of the motor			
2.10B	2096239	> GASKETS TERMINAL BOX BG90-112 ATB VP.	1
Note: Please give the data from type plate of the motor			
2.10C	2150996	> Terminal board cpl.BG56-132 ATB VP.	1
Note: Please give the data from type plate of the motor			
2.11	2112677	CIRCLIP 52X2 J ATB VP.	1
2.12	2112922	CIRCLIP 25X1,2 DIN471 ATB VP.	1
2.13	2096272	SPACER DISC BG80-100 ATB VP.	1



IPH-O20/160-1,1/2-IE2 (2105775)

Item	Article no.	Description	Quantity
1.1	2051166	IMPELLER IPH-O20/160 KIT	1
1.11		> IMPELLER IPH20/160(159) FGL BALANCED	1
1.12	2162632	> Flat gasket 173X165X1,5 C-4509 VP.	1
1.13	2162638	> Screw M8x13,5 Left 1.1178 VP.	1
1.14	2162639	> Woodruff key 4X6,5X16 112 VP.	1
1.2	4094357	MECHANICAL SEAL IPH-O KIT	1
1.12	2162632	> Flat gasket 173X165X1,5 C-4509 VP.	1
1.21		> ROTAT-RING-22.36.31NBR31.14.54-CYCLAM	1
1.22		> 22.37.6IN64.14INTERB.CYCLAM	1
1.32	2163927	> Circlip D.35X1.5 VP.	1
1.33	2150975	> Retaining ring IPH VP.	1
1.34	2163928	> O-Ring D.50X3 DF801 VP.	1
1.35	2163930	> O-Ring D.4,9X1,9 DF1438 VP.	1
1.36	2163932	> Venting screw IPH VP.	1
1.42	2163933	> Gasket D.20X2 DF801 VP.	1
1.3	2051167	COOLANT HOUSING IPH-O20/160 KIT	1
1.12	2162632	> Flat gasket 173X165X1,5 C-4509 VP.	1
1.13	2162638	> Screw M8x13,5 Left 1.1178 VP.	1
1.31		> COOLING CAS.IPH20/160+65-80/110-125PAINT	1
1.32	2163927	> Circlip D.35X1.5 VP.	1
1.33	2150975	> Retaining ring IPH VP.	1
1.34	2163928	> O-Ring D.50X3 DF801 VP.	1
1.35	2163930	> O-Ring D.4,9X1,9 DF1438 VP.	1
1.36	2163932	> Venting screw IPH VP.	1
1.4	2051168	INTERMEDIATE PIECE IPH-O20/160 KIT	1
1.12	2162632	> Flat gasket 173X165X1,5 C-4509 VP.	1
1.13	2162638	> Screw M8x13,5 Left 1.1178 VP.	1
1.32	2163927	> Circlip D.35X1.5 VP.	1
1.33	2150975	> Retaining ring IPH VP.	1
1.34	2163928	> O-Ring D.50X3 DF801 VP.	1
1.41		> LANTERN P130X110-F196 (IPH20/65/80)PAINT	1
1.42	2163933	> Gasket D.20X2 DF801 VP.	1
1.43	2163934	> Plug 1/8" GF290 FM VP.	1
2	2174742	Motor 1,1-2T24B5-80F13RU-A14x198-IE3 VP.	1

IPH-O20/160-1,1/2-IE2 (2105775)

Item	Article no.	Description	Quantity
2		Spare parts motor 1,1/2/80 IE2	1
2		Spare parts motor:on request for IE3	1
3	2051165	PUMP HOUSING IPH-O20/160 KIT	1
1.12	2162632	> Flat gasket 173X165X1,5 C-4509 VP.	1
3.1		> PUMP HOUSING IPH20/160 PAINTED	1
4	2106311	SCREW M8X30 ISO4762 12.9 (4 PIECES)	1
5	2123552	SCREW M8X40 ISO4762 8.8 (4 PIECES)	1
7	2112817	NUT M8-8 ISO4032 GEOMET (4 PIECES)	1
	2064420	COUNTER FLANGE IPH-O DN20 KIT	1
		> Flange EN1092-1/11C/DN20 PN25	1
	2163942	> Flat gasket D.50x36x1,5 C-4509 VP.	1

Spare parts motor 1,1/2/80 IE2

Motor-Typenschild/ Motor type plate/ Plaque identité moteur

Bei Ersatzteilbestellung Motor-Nummer angeben!

Indicate motor number for order of spare parts!

Pour une commande de pièces détachées, donner le numéro du moteur!

LS

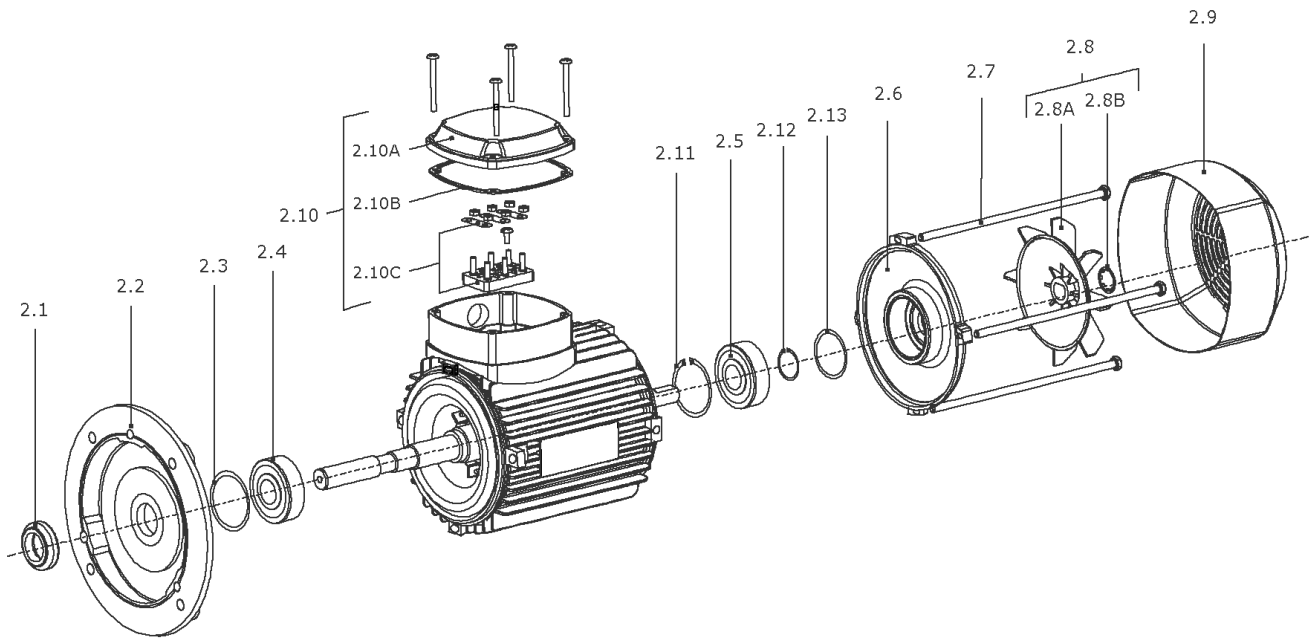
		3~LSES80L T							
SOMER		N° 216784 XD 001		IE2					
IP 55 1K08 cl.F 40° C SS1		11kg		80,6					
○	V	Hz	min-1	kW	cosP	A	V	Λ	○
△	230	50	2870	1.10	0.85	3.00			
人	400	50	2870	1.10	0.85	2.30			

ATB

3-Mot	LF 80/2Z-11 IE2	/0609			
S1	IMB5	2280776	-0001	11767A	
IP 55	Th.Cl. 155(F)				
○	Schwinggroessenstufe A				○
Wilo-Nr. 2118936					
kW	V	Hz	A	cos φ	1/min
1,10	YΔ 400/230	50	2,25/3,90	0.86	2880 IE2-79,6
1,10	YΔ 460/265	60	1,95/3,40	0.85	3490 IE2-82,5
IE75//50		kg		EN 60034 IE 2	

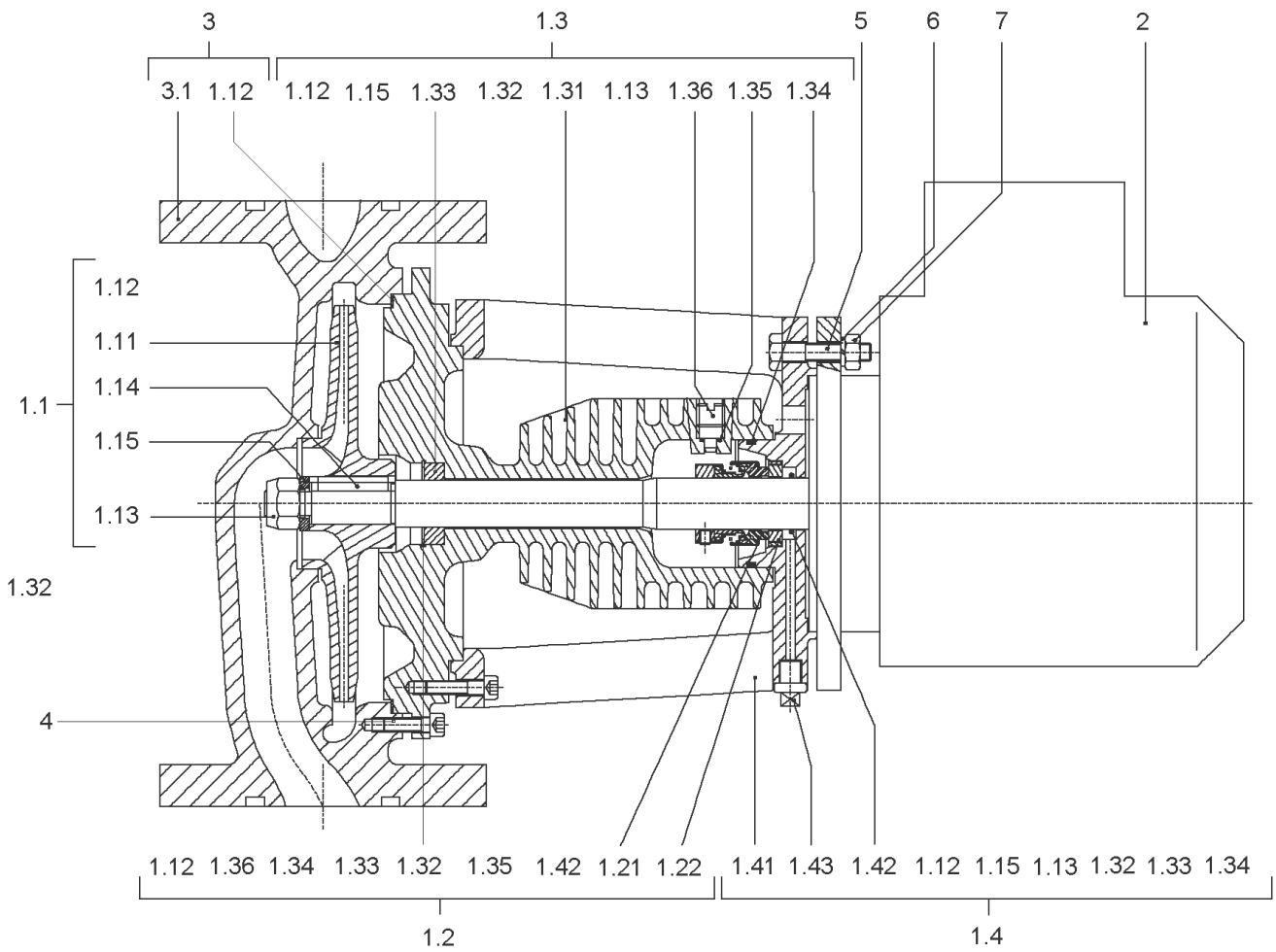
Spare parts motor 1,1/2/80 IE2

Item	Description	Quantity
LS	MOTOR 1,1-2T24B5-80F13-RU-A14X198-IE2-LS	1
Note: spare parts on request /Ersatzteile auf Anfrage /pieces de rechange sur demande		
ATB	Motor 1,1-2T24B5-80F13RU-A14x198-IE2ATB	1



Motor 1,1-2T24B5-80F13RU-A14x198-IE2ATB

Item	Article no.	Description	Quantity
2.1	2112921	JOINT RING CIRCULAR 25X35X4 ATB VP.	1
2.2	2164167	End shield BG80 D.E.ATB VP.	1
2.3	2096254	SHIM BALL BEARING BG80 ATB VP.	1
2.4	121083998	BALL BEARING 6205/2Z-C3 (HT) VP.	1
2.5	121084499	BALL BEARING 6204/2Z-C3 (HT) VP.	1
2.6	2046185	END SHIELD BG80 N.D.E.ATB VP.	1
2.7	2164174	Screw end shield M5X142 ATB(4 Pieces)	1
2.8	2094413	FAN WHEEL BG80 ATB KIT	1
2.8A		> FAN WHEEL BG80 383003 ATB	1
2.8B	2123666	> CORRUGATED SLEEVE RING BG80 ATB VP.	1
Note: Please give the data from type plate of the motor			
2.9	2164194	Fan hood BG80 RAL7001 ATB VP.	1
2.10	2123996	TERMINAL BOX CPL.BG71-80 ATB KIT	1
2.10A	2114271	> Term.box cover+gasket BG71/80 ATB VP.	1
Note: Please give the data from type plate of the motor			
2.10C	2096208	> TERMINAL BOARD BG71/80 ATB VP.	1
Note: Please give the data from type plate of the motor			
2.11	2046384	CIRCLIPS 47X1,75 DIN472 A2 VP.	1
2.12	2125473	CIRCLIPS 20X1,2 DIN471 FST VP.	1
2.13	2096271	SPACER DISC BG71/80 ATB VP.	1



IPH-O32/125-0,75/2-IE2 (2105776)

Item	Article no.	Description	Quantity
1.1	2051162	IMPELLER IPH-O32/125 KIT	1
1.11		> IMPELLER IPH32/125(125) FGL BALANCED	1
1.12	2162633	> Flat gasket 135X126X1,5 C-4509 VP.	1
1.13	2162642	> Nut M8X1,25 ISO7042 VP.	1
1.14	2162639	> Woodruff key 4X6,5X16 112 VP.	1
1.2	4094356	MECHANICAL SEAL IPH-O-32/125 KIT	1
1.12	2162633	> Flat gasket 135X126X1,5 C-4509 VP.	1
1.21		> ROTAT-RING-22.36.31NBR31.14.54-CYCLAM	1
1.22		> 22.37.6IN64.14INTERB.CYCLAM	1
1.32	2163927	> Circlip D.35X1.5 VP.	1
1.33	2150975	> Retaining ring IPH VP.	1
1.34	2163928	> O-Ring D.50X3 DF801 VP.	1
1.35	2163930	> O-Ring D.4,9X1,9 DF1438 VP.	1
1.36	2163932	> Venting screw IPH VP.	1
1.42	2163933	> Gasket D.20X2 DF801 VP.	1
1.3	2051163	COOLANT HOUSING IPH-O32/125 KIT	1
1.12	2162633	> Flat gasket 135X126X1,5 C-4509 VP.	1
1.13	2162642	> Nut M8X1,25 ISO7042 VP.	1
1.31		> COOLING CASASING IPH32/125 PAINTED	1
1.32	2163927	> Circlip D.35X1.5 VP.	1
1.33	2150975	> Retaining ring IPH VP.	1
1.34	2163928	> O-Ring D.50X3 DF801 VP.	1
1.35	2163930	> O-Ring D.4,9X1,9 DF1438 VP.	1
1.36	2163932	> Venting screw IPH VP.	1
1.4	2051164	INTERMEDIATE PIECE IPH-O32/125 KIT	1
1.12	2162633	> Flat gasket 135X126X1,5 C-4509 VP.	1
1.13	2162642	> Nut M8X1,25 ISO7042 VP.	1
1.32	2163927	> Circlip D.35X1.5 VP.	1
1.33	2150975	> Retaining ring IPH VP.	1
1.34	2163928	> O-Ring D.50X3 DF801 VP.	1
1.41		> LANTERN P130X110-F158 (IPH32) PAINTED	1
1.42	2163933	> Gasket D.20X2 DF801 VP.	1
1.43	2163934	> Plug 1/8" GF290 FM VP.	1
2	2168865	Motor 0,75-2T24B5-80F13RU-A14X200-IE3 VP	1

IPH-O32/125-0,75/2-IE2 (2105776)

Item	Article no.	Description	Quantity
2		Spare parts motor 0,75/2/80 IE2	1
2		Spare parts motor:on request for IE3	1
3	2051161	PUMP HOUSING IPH-O32/125 KIT	1
1.12	2162633	> Flat gasket 135X126X1,5 C-4509 VP.	1
3.1		> PUMP HOUSING IPH32/125 PAINTED	1
4	2106310	SCREW M6x25 ISO4762 12.9 (4 PIECES)	1
5	2123552	SCREW M8X40 ISO4762 8.8 (4 PIECES)	1
7	2112817	NUT M8-8 ISO4032 GEOMET (4 PIECES)	1
	2064422	COUNTER FLANGE IPH-O DN32 KIT	1
		> Flange EN1092-1/11C/DN32 PN25	1
	2163943	> Flat gasket D.65x51x1,5 C-4509 VP.	1

Motor-Typenschild/ Motor type plate/ Plaque identité moteur

Bei Ersatzteilbestellung Motor-Nummer angeben!

Indicate motor number for order of spare parts!

Pour une commande de pièces détachées, donner le numéro du moteur!

LS

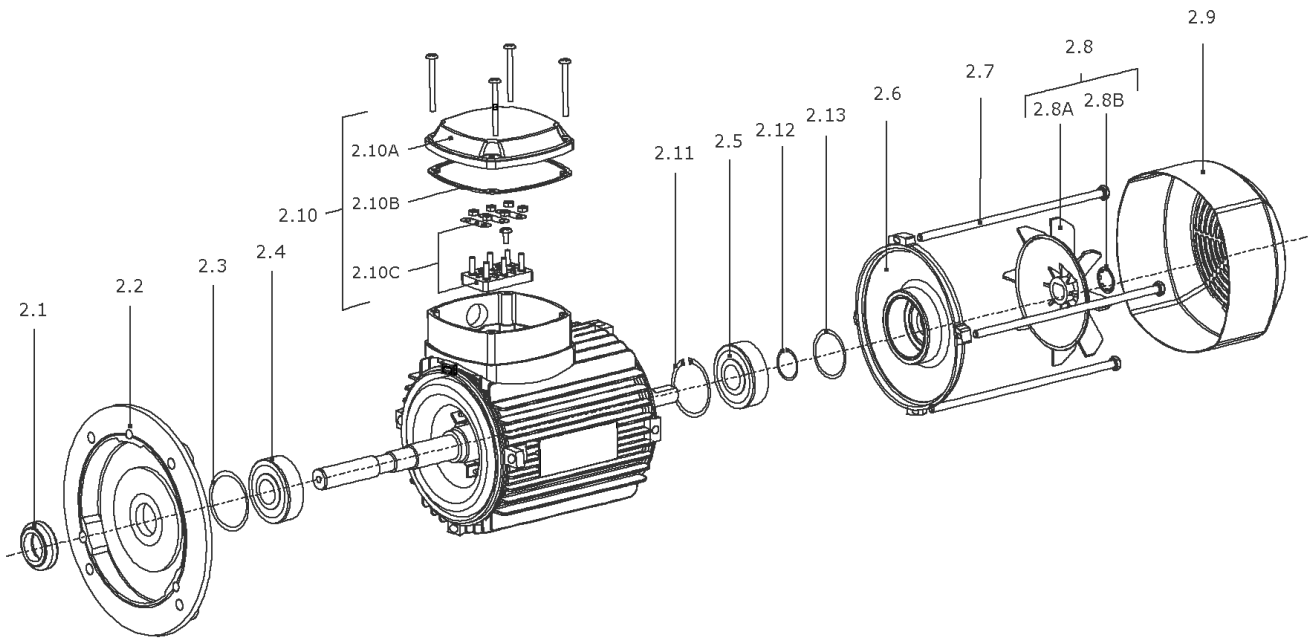
		3~LSES80L T							
SOMER		N° 216784 XD 001		IE2					
IP 55 1K08 cl.F 40° C SS1		11kg		80,6					
○	V	Hz	min-1	kW	cosP	A	V	Λ	○
△	230	50	2870	1.10	0.85	3.00			
人	400	50	2870	1.10	0.85	2.30			

ATB

3-Mot	LF 80/2Z-11 IE2	/0609				
S1	IMB5	2280776	-0001 11767A			
IP 55	Th.Cl. 155(F)					
○	Schwinggroessenstufe A			○		
Wilo-Nr. 2118936						
kW	V	Hz	A	cos φ	1/min	
1,10	YΔ 400/230	50	2,25/3,90	0.86	2880	IE2-79,6
1,10	YΔ 460/265	60	1,95/3,40	0.85	3490	IE2-82,5
IE75//50		kg		EN 60034		IE 2

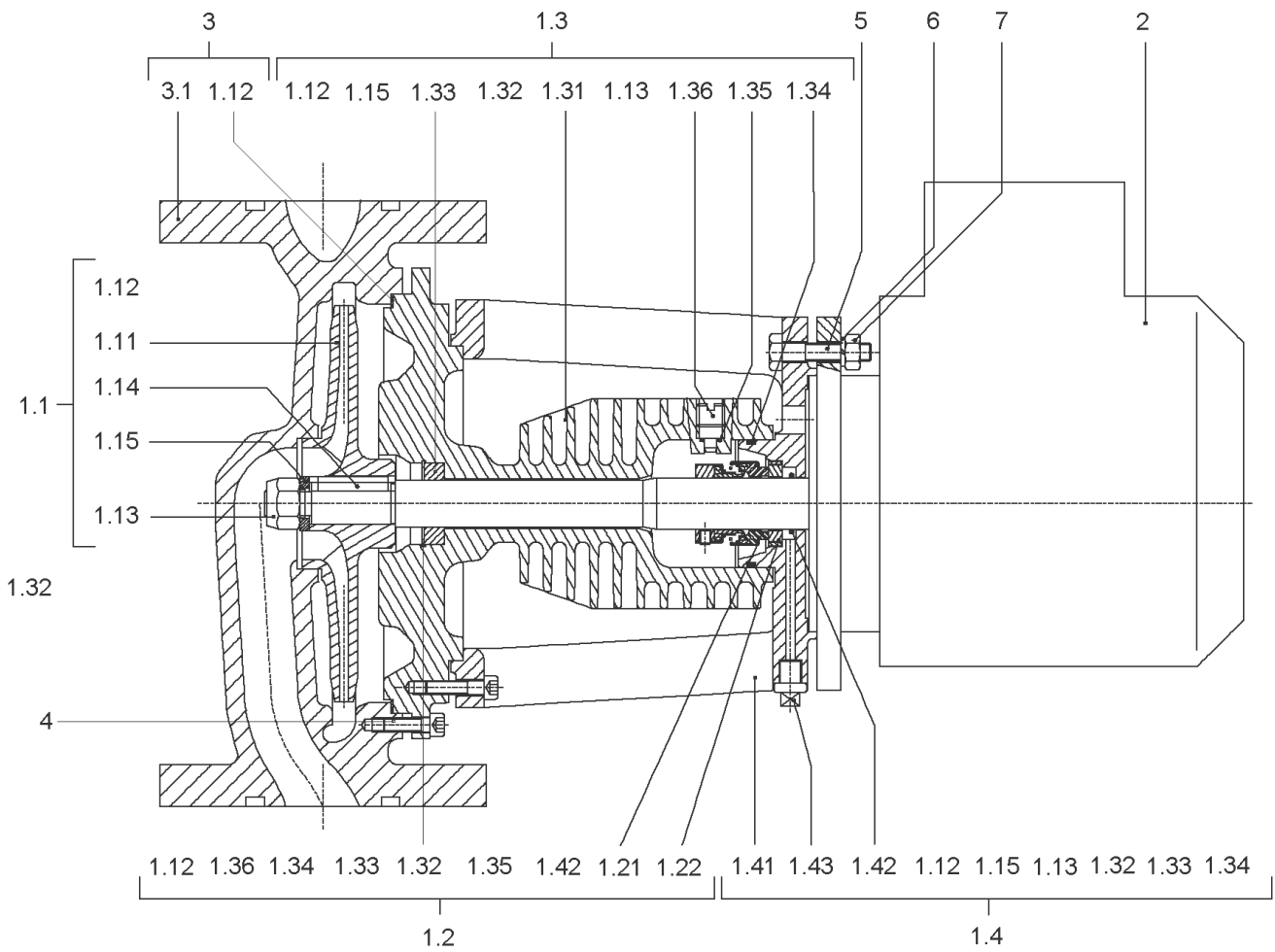
Spare parts motor 0,75/2/80 IE2

Item	Description	Quantity
LS	MOTOR 0,75-2T24B5-80F13RU-A14X200-IE2-LS	1
Note: spare parts on request /Ersatzteile auf Anfrage /pieces de rechange sur demande		
ATB	Motor 0,75-2T24B5-80F13RU-A14x200-IE2ATB	1



Motor 0,75-2T24B5-80F13RU-A14x200-IE2ATB

Item	Article no.	Description	Quantity
2.1	2112921	JOINT RING CIRCULAR 25X35X4 ATB VP.	1
2.2	2164165	End Shield BG71 D.E.ATB VP.	1
2.3	2090403	SHIM BALL BEARING BG71 ATB VP.	1
2.4	121083998	BALL BEARING 6205/2Z-C3 (HT) VP.	1
2.5	2046959	BALL BEARING 6202/2RS-C3 (HT) VP.	1
2.6	2123944	END SHIELD BG71 N.D.E.ATB VP.	1
2.7	2144075	Screw end shield M5X128 ATB(4 Pieces)	1
2.8	122093297	FAN WHEEL BG71 ATB KIT	1
2.8A		> FAN WHEEL BG71/80 106152 ATB	1
2.8B	2123923	> CORRUGATED SLEEVE RING BG71 ATB VP.	1
Note: Please give the data from type plate of the motor			
2.9	2161086	Fan housing BG71/80 ATB RAL7001 VP.	1
2.10	2123996	TERMINAL BOX CPL.BG71-80 ATB KIT	1
2.10A	2114271	> Term.box cover+gasket BG71/80 ATB VP.	1
Note: Please give the data from type plate of the motor			
2.10C	2096208	> TERMINAL BOARD BG71/80 ATB VP.	1
Note: Please give the data from type plate of the motor			
2.11	2046120	CIRCLIP 40X1,75 DIN472 A2	1
2.12	2123932	CIRCLIP 17X1 DIN471 A2 1.4122 VP.	1
2.13	2096271	SPACER DISC BG71/80 ATB VP.	1



IPH-O32/170-2,2/2-IE2 (2105777)

Item	Article no.	Description	Quantity
1.1	2162647	Impeller IPH-O32/170 KIT	1
1.11		> IMPELLER IPH32/170(164) FGL BALANCED	1
1.12	2162634	> Flat gasket 180X172X1,5 C-4509 VP.	1
1.13	2162645	> Nut HEWI12X125 8 A2A VP.	1
1.14	2162646	> Key C 6X6X32 112 VP.	1
1.15	2162644	> Washer B12.5A25C4 VP.	1
1.2	4094358	MECHANICAL SEAL IPH-O-32/170 KIT	1
1.12	2162634	> Flat gasket 180X172X1,5 C-4509 VP.	1
1.21		> ROTAT-RING-22.36.31NBR31.14.54-CYCLAM	1
1.22		> 22.37.6IN64.14INTERB.CYCLAM	1
1.32	2163927	> Circlip D.35X1.5 VP.	1
1.33	2150975	> Retaining ring IPH VP.	1
1.34	2163928	> O-Ring D.50X3 DF801 VP.	1
1.35	2163930	> O-Ring D.4,9X1,9 DF1438 VP.	1
1.36	2163932	> Venting screw IPH VP.	1
1.42	2163933	> Gasket D.20X2 DF801 VP.	1
1.3	2051158	COOLANT HOUSING IPH-O32/170 KIT	1
1.12	2162634	> Flat gasket 180X172X1,5 C-4509 VP.	1
1.13	2162645	> Nut HEWI12X125 8 A2A VP.	1
1.15	2162644	> Washer B12.5A25C4 VP.	1
1.31		> COOLING CASASING IPH32/170 PAINTED	1
1.32	2163927	> Circlip D.35X1.5 VP.	1
1.33	2150975	> Retaining ring IPH VP.	1
1.34	2163928	> O-Ring D.50X3 DF801 VP.	1
1.35	2163930	> O-Ring D.4,9X1,9 DF1438 VP.	1
1.36	2163932	> Venting screw IPH VP.	1
1.4	2051159	INTERMEDIATE PIECE IPH-O32/170 KIT	1
1.12	2162634	> Flat gasket 180X172X1,5 C-4509 VP.	1
1.13	2162645	> Nut HEWI12X125 8 A2A VP.	1
1.15	2162644	> Washer B12.5A25C4 VP.	1
1.32	2163927	> Circlip D.35X1.5 VP.	1
1.33	2150975	> Retaining ring IPH VP.	1
1.34	2163928	> O-Ring D.50X3 DF801 VP.	1
1.41		> LANTERN P130X110-F158 (IPH32) PAINTED	1

IPH-O32/170-2,2/2-IE2 (2105777)

Item	Article no.	Description	Quantity
1.42	2163933	> Gasket D.20X2 DF801 VP.	1
1.43	2163934	> Plug 1/8" GF290 FM VP.	1
2	2174746	Motor 2,2-2T24B5-90F13RU-A18x237-IE3 VP.	1
2		Spare parts motor 2,2/2/90 IE2	1
2		Spare parts motor:on request for IE3	1
3	2051156	PUMP HOUSING IPH-O32/170 KIT	1
1.12	2162634	> Flat gasket 180X172X1,5 C-4509 VP.	1
3.1		> PUMP HOUSING IPH32/170 PAINTED	1
4	2106310	SCREW M6x25 ISO4762 12.9 (4 PIECES)	1
5	2123552	SCREW M8X40 ISO4762 8.8 (4 PIECES)	1
7	2112817	NUT M8-8 ISO4032 GEOMET (4 PIECES)	1
	2064422	COUNTER FLANGE IPH-O DN32 KIT	1
		> Flange EN1092-1/11C/DN32 PN25	1
	2163943	> Flat gasket D.65x51x1,5 C-4509 VP.	1

Motor-Typenschild/ Motor type plate/ Plaque identité moteur

Bei Ersatzteilbestellung Motor-Nummer angeben!

Indicate motor number for order of spare parts!

Pour une commande de pièces détachées, donner le numéro du moteur!

LS

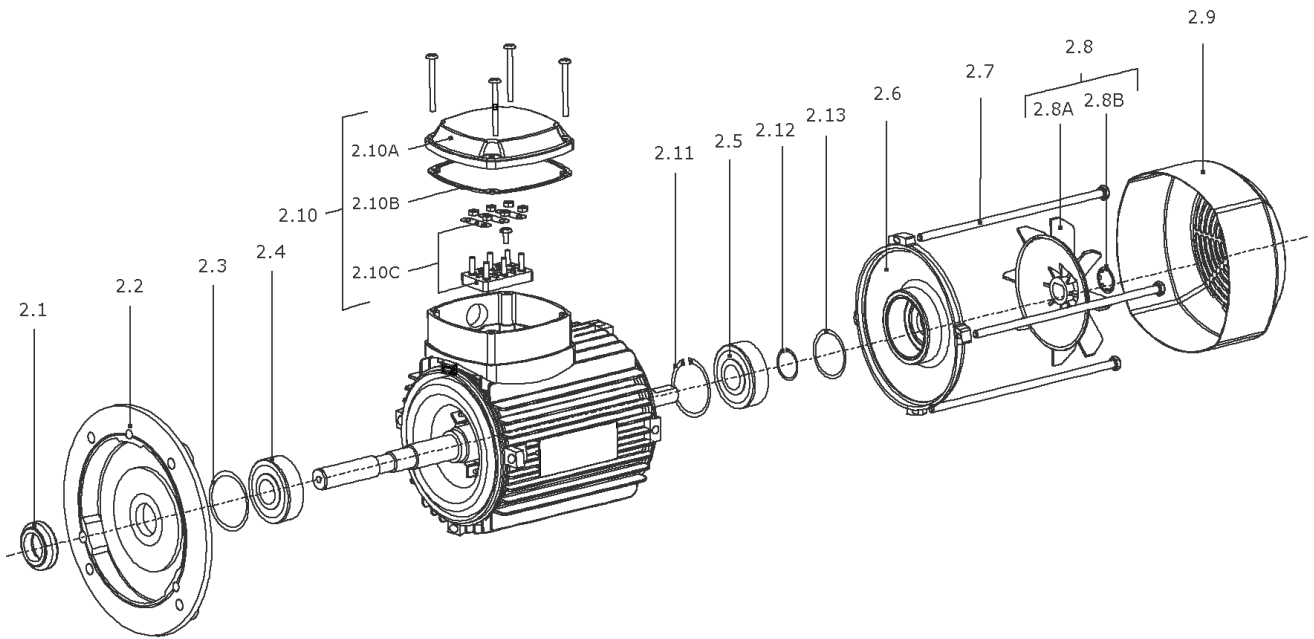
		3~LSES80L T		CE					
SOMER		N° 216784 XD 001		IE2					
IP 55 1K08 cl.F 40° C SS1		11kg		80,6					
○	V	Hz	min-1	kW	cosP	A	V	Λ	○
Δ	230	50	2870	1.10	0.85	3.00			
人	400	50	2870	1.10	0.85	2.30			

ATB

		CE				
3-Mot	LF 80/2Z-11 IE2	/0609				
S1	IMB5	2280776	-0001 11767A			
IP 55	Th.Cl. 155(F)					
○	Schwinggroessenstufe A		○			
Wilo-Nr. 2118936						
kW	V	Hz	A	cos φ	1/min	
1,10	YΔ 400/230	50	2,25/3,90	0,86	2880	IE2-79,6
1,10	YΔ 460/265	60	1,95/3,40	0,85	3490	IE2-82,5
IE75//50		kg	EN 60034		IE 2	

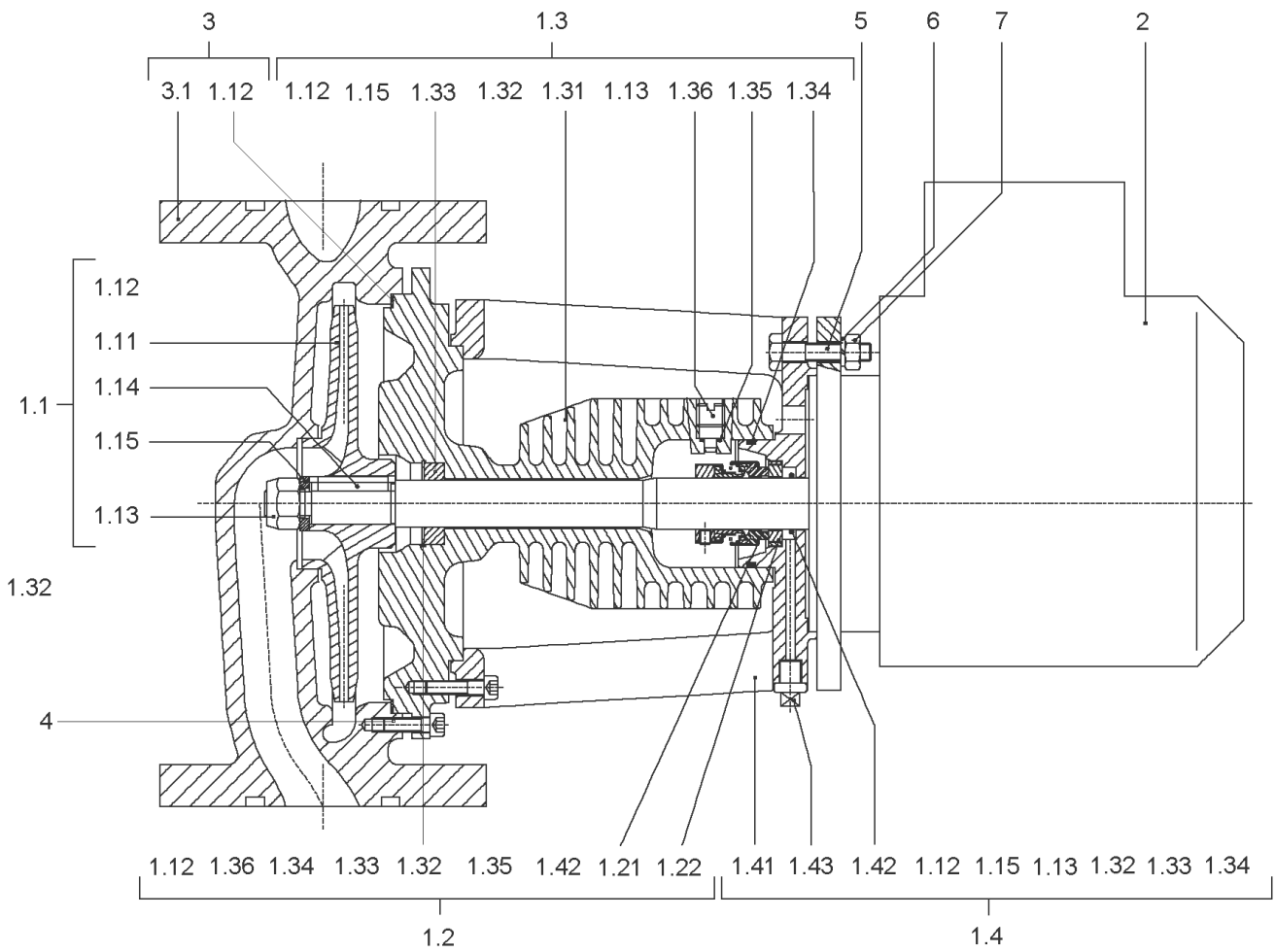
Spare parts motor 2,2/2/90 IE2

Item	Description	Quantity
LS	MOTOR 2,2-2T24B5-90F13-RU-A18X237-IE2-LS	1
ATB	Motor 2,2-2T24B5-90F13RU-A18x237-IE2ATB	1



Motor 2,2-2T24B5-90F13RU-A18x237-IE2ATB

Item	Article no.	Description	Quantity
2.1	2112921	JOINT RING CIRCULAR 25X35X4 ATB VP.	1
2.2	2164166	Capacitor 25µF 400VDB VP.	1
2.3	2096256	SHIM BALL BEARING BG90/100 ATB VP.	1
2.4	121083998	BALL BEARING 6205/2Z-C3 (HT) VP.	1
2.5	121083998	BALL BEARING 6205/2Z-C3 (HT) VP.	1
2.6	2123946	END SHIELD BG90/100 N.D.E.ATB VP.	1
2.7	2112674	SCREW END SHIELD M5X190 ATB(4 PIECES)	1
2.8	2123911	FAN WHEEL BG90 ATB KIT	1
2.8A		> FAN WHEEL BG90 721183 ATB	1
2.8B	2047016	> CORRUGATED SLEEVE RING BG90/100 ATB VP.	1
Note: Please give the data from type plate of the motor			
2.9	2150919	Fan housing BG90/100 RAL7001 ATB VP.	1
2.10	2124004	TERMINAL BOX CPL.BG90 ATB KIT	1
2.10A	2114270	> Term.box cover+gasket BG90-112 ATB VP.	1
Note: Please give the data from type plate of the motor			
2.10B	2096239	> GASKETS TERMINAL BOX BG90-112 ATB VP.	1
Note: Please give the data from type plate of the motor			
2.10C	2150996	> Terminal board cpl.BG56-132 ATB VP.	1
Note: Please give the data from type plate of the motor			
2.11	2112677	CIRCLIP 52X2 J ATB VP.	1
2.12	2112922	CIRCLIP 25X1,2 DIN471 ATB VP.	1
2.13	2096272	SPACER DISC BG80-100 ATB VP.	1



IPH-O65/110-2,2/2-IE2 (2105778)

Item	Article no.	Description	Quantity
1.1	2051155	IMPELLER IPH-O65/110 KIT	1
1.11		> IMPELLER IPH65/110(110) FGL BALANCED	1
1.12	2162632	> Flat gasket 173X165X1,5 C-4509 VP.	1
1.13	2162645	> Nut HEWI12X125 8 A2A VP.	1
1.14	2162646	> Key C 6X6X32 112 VP.	1
1.15	2162644	> Washer B12.5A25C4 VP.	1
1.2	4094357	MECHANICAL SEAL IPH-O KIT	1
1.12	2162632	> Flat gasket 173X165X1,5 C-4509 VP.	1
1.21		> ROTAT-RING-22.36.31NBR31.14.54-CYCLAM	1
1.22		> 22.37.6IN64.14INTERB.CYCLAM	1
1.32	2163927	> Circlip D.35X1.5 VP.	1
1.33	2150975	> Retaining ring IPH VP.	1
1.34	2163928	> O-Ring D.50X3 DF801 VP.	1
1.35	2163930	> O-Ring D.4,9X1,9 DF1438 VP.	1
1.36	2163932	> Venting screw IPH VP.	1
1.42	2163933	> Gasket D.20X2 DF801 VP.	1
1.3	2051148	COOLANT HOUSING IPH-O65-80/110-125 KIT	1
1.12	2162632	> Flat gasket 173X165X1,5 C-4509 VP.	1
1.13	2162645	> Nut HEWI12X125 8 A2A VP.	1
1.15	2162644	> Washer B12.5A25C4 VP.	1
1.31		> COOLING CAS.IPH20/160+65-80/110-125PAINT	1
1.32	2163927	> Circlip D.35X1.5 VP.	1
1.33	2150975	> Retaining ring IPH VP.	1
1.34	2163928	> O-Ring D.50X3 DF801 VP.	1
1.35	2163930	> O-Ring D.4,9X1,9 DF1438 VP.	1
1.36	2163932	> Venting screw IPH VP.	1
1.4	2051141	INTERMEDIATE PIECE IPH-O KIT	1
1.12	2162632	> Flat gasket 173X165X1,5 C-4509 VP.	1
1.13	2162645	> Nut HEWI12X125 8 A2A VP.	1
1.15	2162644	> Washer B12.5A25C4 VP.	1
1.32	2163927	> Circlip D.35X1.5 VP.	1
1.33	2150975	> Retaining ring IPH VP.	1
1.34	2163928	> O-Ring D.50X3 DF801 VP.	1
1.41		> LANTERN P130X110-F196 (IPH20/65/80)PAINT	1

IPH-O65/110-2,2/2-IE2 (2105778)

Item	Article no.	Description	Quantity
1.42	2163933	> Gasket D.20X2 DF801 VP.	1
1.43	2163934	> Plug 1/8" GF290 FM VP.	1
2	2174746	Motor 2,2-2T24B5-90F13RU-A18x237-IE3 VP.	1
2		Spare parts motor 2,2/2/90 IE2	1
2		Spare parts motor:on request for IE3	1
3	2051153	PH.IPH-O65/125-1,1+/110-125-2,2 KIT	1
1.12	2162632	> Flat gasket 173X165X1,5 C-4509 VP.	1
3.1		> PUMP HOUSING IPH65/125 PAINTED	1
4	2106311	SCREW M8X30 ISO4762 12.9 (4 PIECES)	1
5	2123552	SCREW M8X40 ISO4762 8.8 (4 PIECES)	1
7	2112817	NUT M8-8 ISO4032 GEOMET (4 PIECES)	1
	2064424	COUNTER FLANGE IPH-O DN65 KIT	1
		> Flange EN1092-1/11C/DN65 PN25	1
	2163944	> Flat gasket D.109x95x1,5 C-4509 VP.	1

Motor-Typenschild/ Motor type plate/ Plaque identité moteur

Bei Ersatzteilbestellung Motor-Nummer angeben!

Indicate motor number for order of spare parts!

Pour une commande de pièces détachées, donner le numéro du moteur!

LS

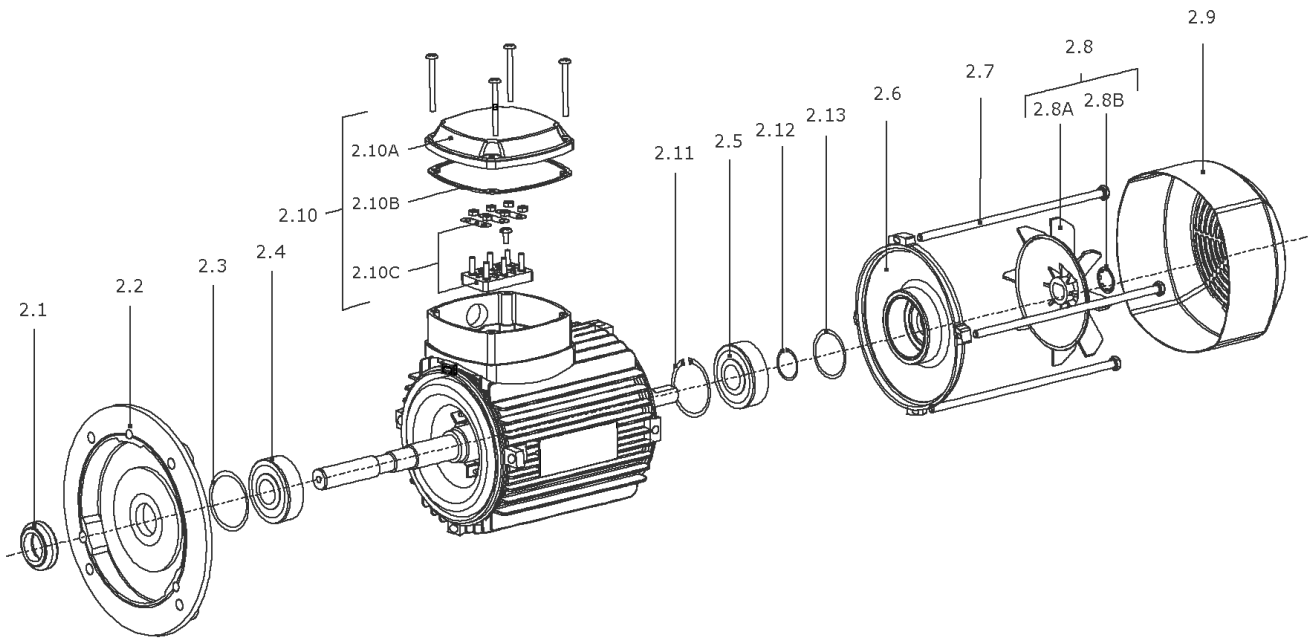
		3~LSES80L T							
		N° 216784 XD 001							
IP 55 1K08 cl.F 40° C SS1		11kg		IE2 80,6					
	V	Hz	min-1	kW	cosP	A	V	A	
Δ	230	50	2870	1.10	0.85	3.00			
λ	400	50	2870	1.10	0.85	2.30			

ATB

3-Mot	LF 80/2Z-11 IE2	/0609				
S1	IMB5	2280776	-0001 11767A			
IP 55	Th.Cl. 155(F)					
	Schwinggroessenstufe A					
Wilo-Nr. 2118936						
kW	V	Hz	A	cos Φ	1/min	
1,10	Δ 400/230	50	2,25/3,90	0.86	2880	IE2-79,6
1,10	λ 460/265	60	1,95/3,40	0.85	3490	IE2-82,5
IE75//50		kg	EN 60034		IE 2	

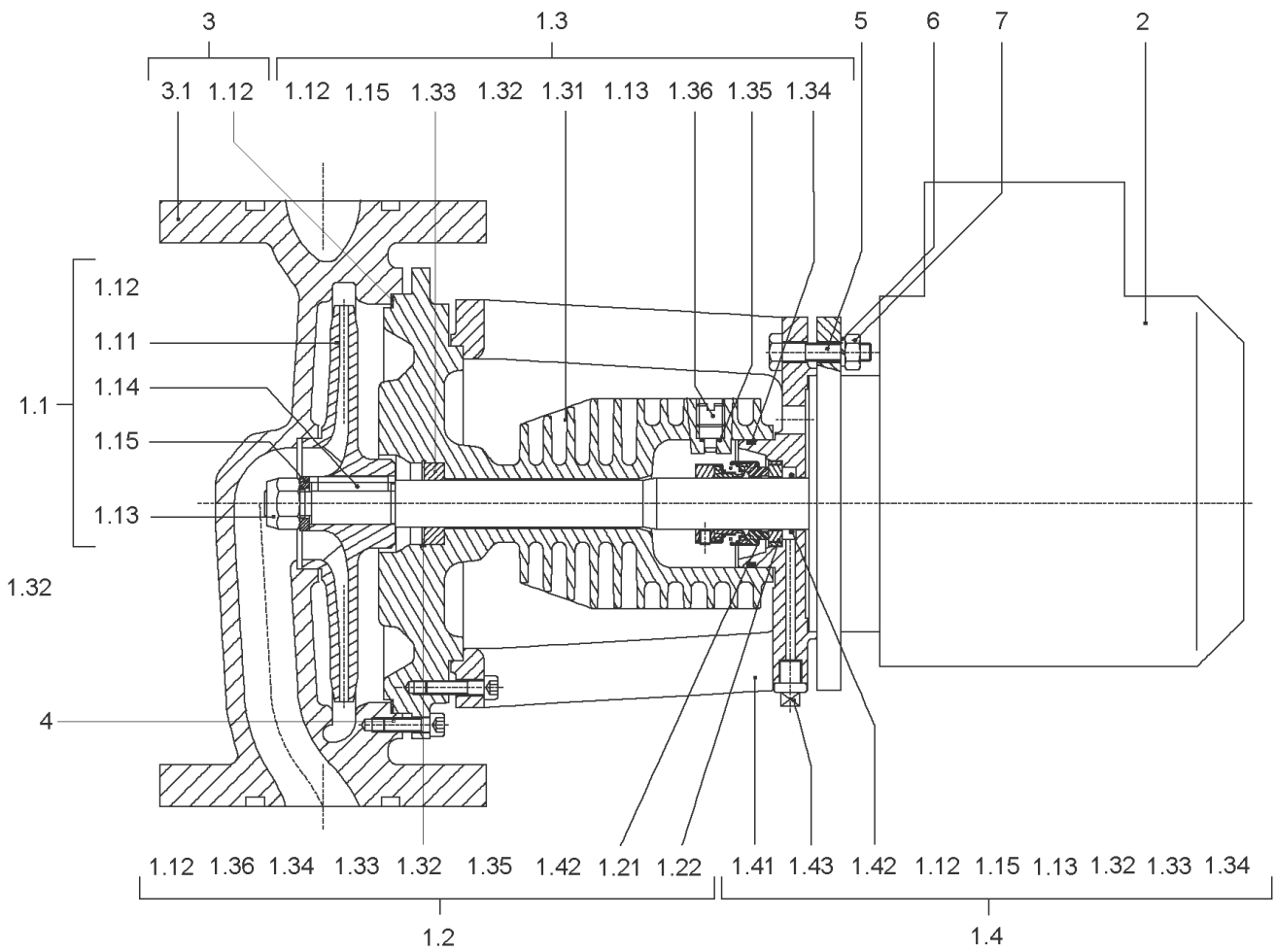
Spare parts motor 2,2/2/90 IE2

Item	Description	Quantity
LS	MOTOR 2,2-2T24B5-90F13-RU-A18X237-IE2-LS	1
ATB	Motor 2,2-2T24B5-90F13RU-A18x237-IE2ATB	1



Motor 2,2-2T24B5-90F13RU-A18x237-IE2ATB

Item	Article no.	Description	Quantity
2.1	2112921	JOINT RING CIRCULAR 25X35X4 ATB VP.	1
2.2	2164166	Capacitor 25µF 400VDB VP.	1
2.3	2096256	SHIM BALL BEARING BG90/100 ATB VP.	1
2.4	121083998	BALL BEARING 6205/2Z-C3 (HT) VP.	1
2.5	121083998	BALL BEARING 6205/2Z-C3 (HT) VP.	1
2.6	2123946	END SHIELD BG90/100 N.D.E.ATB VP.	1
2.7	2112674	SCREW END SHIELD M5X190 ATB(4 PIECES)	1
2.8	2123911	FAN WHEEL BG90 ATB KIT	1
2.8A		> FAN WHEEL BG90 721183 ATB	1
2.8B	2047016	> CORRUGATED SLEEVE RING BG90/100 ATB VP.	1
Note: Please give the data from type plate of the motor			
2.9	2150919	Fan housing BG90/100 RAL7001 ATB VP.	1
2.10	2124004	TERMINAL BOX CPL.BG90 ATB KIT	1
2.10A	2114270	> Term.box cover+gasket BG90-112 ATB VP.	1
Note: Please give the data from type plate of the motor			
2.10B	2096239	> GASKETS TERMINAL BOX BG90-112 ATB VP.	1
Note: Please give the data from type plate of the motor			
2.10C	2150996	> Terminal board cpl.BG56-132 ATB VP.	1
Note: Please give the data from type plate of the motor			
2.11	2112677	CIRCLIP 52X2 J ATB VP.	1
2.12	2112922	CIRCLIP 25X1,2 DIN471 ATB VP.	1
2.13	2096272	SPACER DISC BG80-100 ATB VP.	1



IPH-O65/125-2,2/2-IE2 (2105779)

Item	Article no.	Description	Quantity
1.1	2051154	IMPELLER IPH-O65/125 KIT	1
1.11		> IMPELLER IPH65/125(124) FGL BALANCED	1
1.12	2162632	> Flat gasket 173X165X1,5 C-4509 VP.	1
1.13	2162645	> Nut HEWI12X125 8 A2A VP.	1
1.14	2162646	> Key C 6X6X32 112 VP.	1
1.15	2162644	> Washer B12.5A25C4 VP.	1
1.2	4094357	MECHANICAL SEAL IPH-O KIT	1
1.12	2162632	> Flat gasket 173X165X1,5 C-4509 VP.	1
1.21		> ROTAT-RING-22.36.31NBR31.14.54-CYCLAM	1
1.22		> 22.37.6IN64.14INTERB.CYCLAM	1
1.32	2163927	> Circlip D.35X1.5 VP.	1
1.33	2150975	> Retaining ring IPH VP.	1
1.34	2163928	> O-Ring D.50X3 DF801 VP.	1
1.35	2163930	> O-Ring D.4,9X1,9 DF1438 VP.	1
1.36	2163932	> Venting screw IPH VP.	1
1.42	2163933	> Gasket D.20X2 DF801 VP.	1
1.3	2051148	COOLANT HOUSING IPH-O65-80/110-125 KIT	1
1.12	2162632	> Flat gasket 173X165X1,5 C-4509 VP.	1
1.13	2162645	> Nut HEWI12X125 8 A2A VP.	1
1.15	2162644	> Washer B12.5A25C4 VP.	1
1.31		> COOLING CAS.IPH20/160+65-80/110-125PAINT	1
1.32	2163927	> Circlip D.35X1.5 VP.	1
1.33	2150975	> Retaining ring IPH VP.	1
1.34	2163928	> O-Ring D.50X3 DF801 VP.	1
1.35	2163930	> O-Ring D.4,9X1,9 DF1438 VP.	1
1.36	2163932	> Venting screw IPH VP.	1
1.4	2051141	INTERMEDIATE PIECE IPH-O KIT	1
1.12	2162632	> Flat gasket 173X165X1,5 C-4509 VP.	1
1.13	2162645	> Nut HEWI12X125 8 A2A VP.	1
1.15	2162644	> Washer B12.5A25C4 VP.	1
1.32	2163927	> Circlip D.35X1.5 VP.	1
1.33	2150975	> Retaining ring IPH VP.	1
1.34	2163928	> O-Ring D.50X3 DF801 VP.	1
1.41		> LANTERN P130X110-F196 (IPH20/65/80)PAINT	1

IPH-O65/125-2,2/2-IE2 (2105779)

Item	Article no.	Description	Quantity
1.42	2163933	> Gasket D.20X2 DF801 VP.	1
1.43	2163934	> Plug 1/8" GF290 FM VP.	1
2	2174746	Motor 2,2-2T24B5-90F13RU-A18x237-IE3 VP.	1
2		Spare parts motor 2,2/2/90 IE2	1
2		Spare parts motor:on request for IE3	1
3	2051153	PH.IPH-O65/125-1,1+/110-125-2,2 KIT	1
1.12	2162632	> Flat gasket 173X165X1,5 C-4509 VP.	1
3.1		> PUMP HOUSING IPH65/125 PAINTED	1
4	2106311	SCREW M8X30 ISO4762 12.9 (4 PIECES)	1
5	2123552	SCREW M8X40 ISO4762 8.8 (4 PIECES)	1
7	2112817	NUT M8-8 ISO4032 GEOMET (4 PIECES)	1
	2064424	COUNTER FLANGE IPH-O DN65 KIT	1
		> Flange EN1092-1/11C/DN65 PN25	1
	2163944	> Flat gasket D.109x95x1,5 C-4509 VP.	1

Motor-Typenschild/ Motor type plate/ Plaque identité moteur

Bei Ersatzteilbestellung Motor-Nummer angeben!

Indicate motor number for order of spare parts!

Pour une commande de pièces détachées, donner le numéro du moteur!

LS

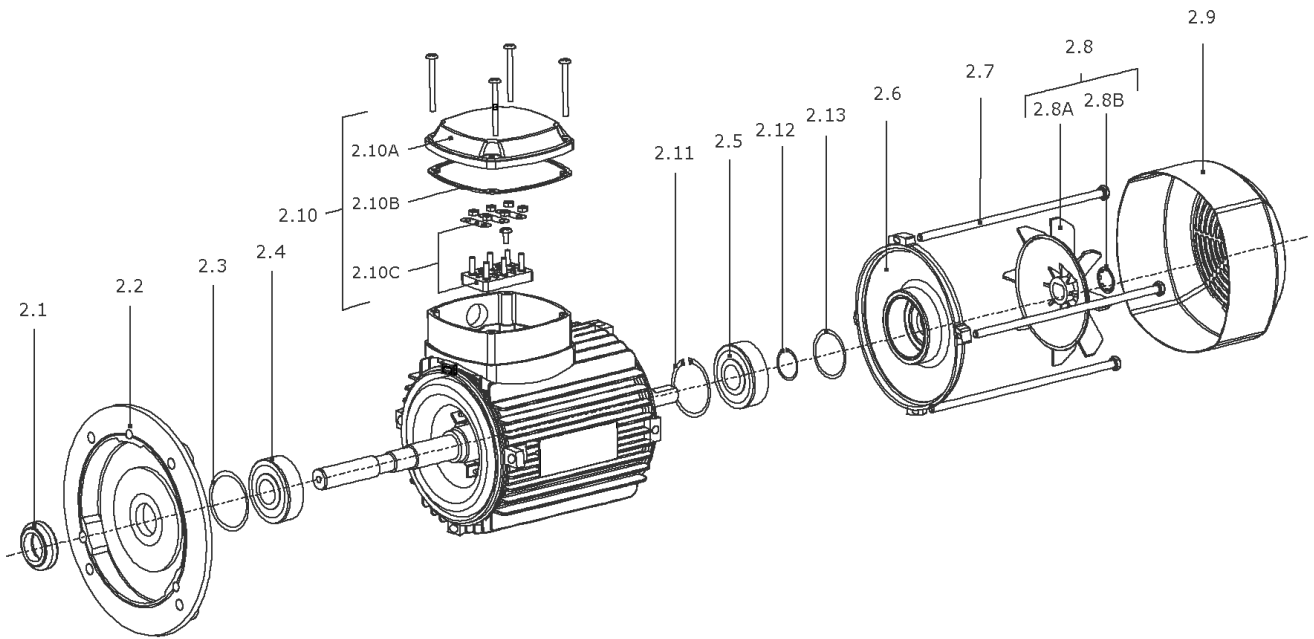
		3~LSES80L T							
		N° 216784 XD 001		IE2					
IP 55 1K08 cl.F 40° C SS1		11kg		80,6					
	V	Hz	min-1	kW	cosP	A	V	A	
Δ	230	50	2870	1.10	0.85	3.00			
λ	400	50	2870	1.10	0.85	2.30			

ATB

3-Mot	LF 80/2Z-11 IE2	/0609				
S1	IMB5	2280776	-0001 11767A			
IP 55	Th.Cl. 155(F)					
	Schwinggroessenstufe A					
Wilo-Nr. 2118936						
kW	V	Hz	A	cos Φ	1/min	
1,10	Δ 400/230	50	2,25/3,90	0.86	2880	IE2-79,6
1,10	λ 460/265	60	1,95/3,40	0.85	3490	IE2-82,5
IE75//50		kg	EN 60034		IE 2	

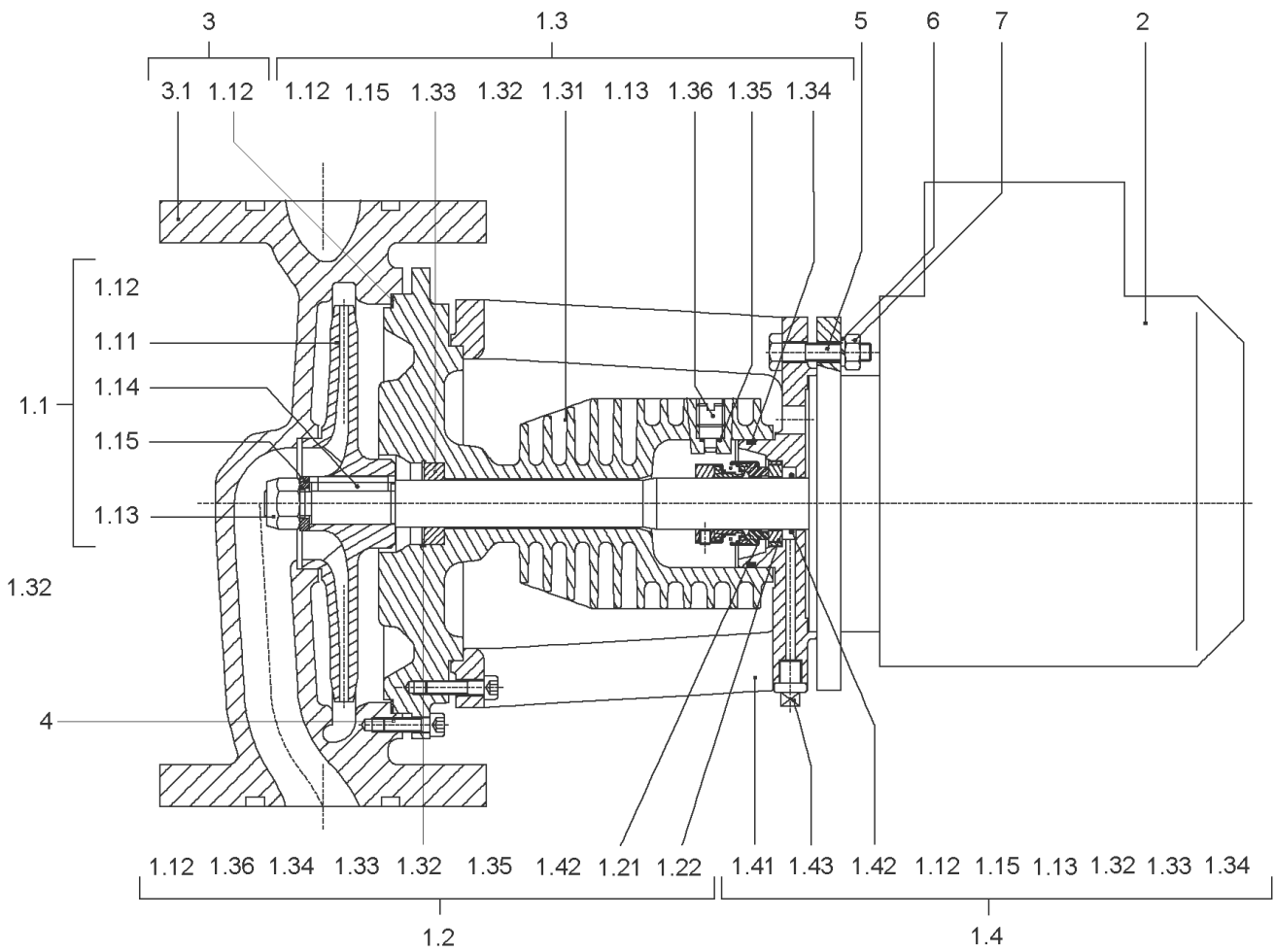
Spare parts motor 2,2/2/90 IE2

Item	Description	Quantity
LS	MOTOR 2,2-2T24B5-90F13-RU-A18X237-IE2-LS	1
ATB	Motor 2,2-2T24B5-90F13RU-A18x237-IE2ATB	1



Motor 2,2-2T24B5-90F13RU-A18x237-IE2ATB

Item	Article no.	Description	Quantity
2.1	2112921	JOINT RING CIRCULAR 25X35X4 ATB VP.	1
2.2	2164166	Capacitor 25µF 400VDB VP.	1
2.3	2096256	SHIM BALL BEARING BG90/100 ATB VP.	1
2.4	121083998	BALL BEARING 6205/2Z-C3 (HT) VP.	1
2.5	121083998	BALL BEARING 6205/2Z-C3 (HT) VP.	1
2.6	2123946	END SHIELD BG90/100 N.D.E.ATB VP.	1
2.7	2112674	SCREW END SHIELD M5X190 ATB(4 PIECES)	1
2.8	2123911	FAN WHEEL BG90 ATB KIT	1
2.8A		> FAN WHEEL BG90 721183 ATB	1
2.8B	2047016	> CORRUGATED SLEEVE RING BG90/100 ATB VP.	1
Note: Please give the data from type plate of the motor			
2.9	2150919	Fan housing BG90/100 RAL7001 ATB VP.	1
2.10	2124004	TERMINAL BOX CPL.BG90 ATB KIT	1
2.10A	2114270	> Term.box cover+gasket BG90-112 ATB VP.	1
Note: Please give the data from type plate of the motor			
2.10B	2096239	> GASKETS TERMINAL BOX BG90-112 ATB VP.	1
Note: Please give the data from type plate of the motor			
2.10C	2150996	> Terminal board cpl.BG56-132 ATB VP.	1
Note: Please give the data from type plate of the motor			
2.11	2112677	CIRCLIP 52X2 J ATB VP.	1
2.12	2112922	CIRCLIP 25X1,2 DIN471 ATB VP.	1
2.13	2096272	SPACER DISC BG80-100 ATB VP.	1



IPH-O65/140-4/2-IE2 (2105780)

Item	Article no.	Description	Quantity
1.1	2051152	IMPELLER IPH-O65/140/1,1+4KW KIT	1
1.11		> IMPELLER IPH65/140(145) FGL BALANCED	1
1.12	2162632	> Flat gasket 173X165X1,5 C-4509 VP.	1
1.13	2162645	> Nut HEWI12X125 8 A2A VP.	1
1.14	2162646	> Key C 6X6X32 112 VP.	1
1.15	2162644	> Washer B12.5A25C4 VP.	1
1.2	4094357	MECHANICAL SEAL IPH-O KIT	1
1.12	2162632	> Flat gasket 173X165X1,5 C-4509 VP.	1
1.21		> ROTAT-RING-22.36.31NBR31.14.54-CYCLAM	1
1.22		> 22.37.6IN64.14INTERB.CYCLAM	1
1.32	2163927	> Circlip D.35X1.5 VP.	1
1.33	2150975	> Retaining ring IPH VP.	1
1.34	2163928	> O-Ring D.50X3 DF801 VP.	1
1.35	2163930	> O-Ring D.4,9X1,9 DF1438 VP.	1
1.36	2163932	> Venting screw IPH VP.	1
1.42	2163933	> Gasket D.20X2 DF801 VP.	1
1.3	2051151	COOLANT HOUSING IPH-O65/140-160 KIT	1
1.12	2162632	> Flat gasket 173X165X1,5 C-4509 VP.	1
1.13	2162645	> Nut HEWI12X125 8 A2A VP.	1
1.15	2162644	> Washer B12.5A25C4 VP.	1
1.31		> COOLING CASASING IPH65/140-160 PAINTED	1
1.32	2163927	> Circlip D.35X1.5 VP.	1
1.33	2150975	> Retaining ring IPH VP.	1
1.34	2163928	> O-Ring D.50X3 DF801 VP.	1
1.35	2163930	> O-Ring D.4,9X1,9 DF1438 VP.	1
1.36	2163932	> Venting screw IPH VP.	1
1.4	2051145	INTERMED.PIECE IPH-O65-80 4KW KIT	1
1.12	2162632	> Flat gasket 173X165X1,5 C-4509 VP.	1
1.13	2162645	> Nut HEWI12X125 8 A2A VP.	1
1.15	2162644	> Washer B12.5A25C4 VP.	1
1.32	2163927	> Circlip D.35X1.5 VP.	1
1.33	2150975	> Retaining ring IPH VP.	1
1.34	2163928	> O-Ring D.50X3 DF801 VP.	1
1.41		> LANTERN P215X180-F196 (IPH65/80) PAINTED	1

IPH-O65/140-4/2-IE2 (2105780)

Item	Article no.	Description	Quantity
1.42	2163933	> Gasket D.20X2 DF801 VP.	1
1.43	2163936	> Plug 1/4" VP.	1
2	2174748	Motor 4-2T24B5-112F21RU-A18x247-IE3 VP.	1
2		Spare parts motor 4/2/112 IE2	1
2		Spare parts motor:on request for IE3	1
3	2051149	PUMP HOUSING IPH-O65/140-160 KIT	1
1.12	2162632	> Flat gasket 173X165X1,5 C-4509 VP.	1
3.1		> PUMP HOUSING IPH65/160 PAINTED	1
4	2106311	SCREW M8X30 ISO4762 12.9 (4 PIECES)	1
5	2123555	SCREW M12x50 ISO4762 8.8 (4 PIECES)	1
6	2123557	WASHER CS-12.4-24-1.6-NFE25 (4 PIECES)	1
7	2123556	NUT M12-8 ISO4032 GEOMET (4 PIECES)	1
	2064424	COUNTER FLANGE IPH-O DN65 KIT	1
		> Flange EN1092-1/11C/DN65 PN25	1
	2163944	> Flat gasket D.109x95x1,5 C-4509 VP.	1

Motor-Typenschild/ Motor type plate/ Plaque identité moteur

Bei Ersatzteilbestellung Motor-Nummer angeben!

Indicate motor number for order of spare parts!

Pour une commande de pièces détachées, donner le numéro du moteur!

LS

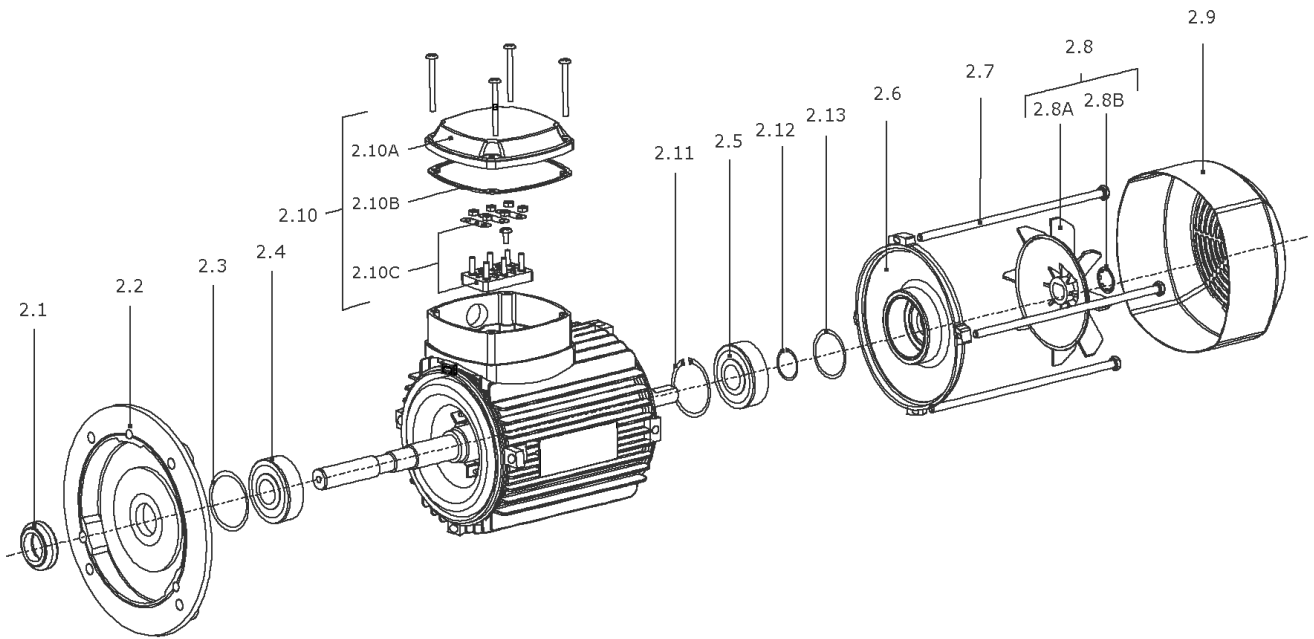
		° 3~LSES80L T							
		N° 216784 XD 001		IE2					
IP 55 1K08 cl.F 40° C SS1		11kg		80,6					
	V	Hz	min-1	kW	cosP	A	V	A	
Δ	230	50	2870	1.10	0.85	3.00			
λ	400	50	2870	1.10	0.85	2.30			

ATB

3-Mot	LF 80/2Z-11 IE2	/0609				
S1	IMB5	2280776	-0001 11767A			
IP 55	Th.Cl. 155(F)					
	Schwinggroessenstufe A					
Wilo-Nr. 2118936						
kW	V	Hz	A	cos Φ	1/min	
1,10	Δ 400/230	50	2,25/3,90	0.86	2880	IE2-79,6
1,10	λ 460/265	60	1,95/3,40	0.85	3490	IE2-82,5
IE75//50		kg	EN 60034		IE 2	

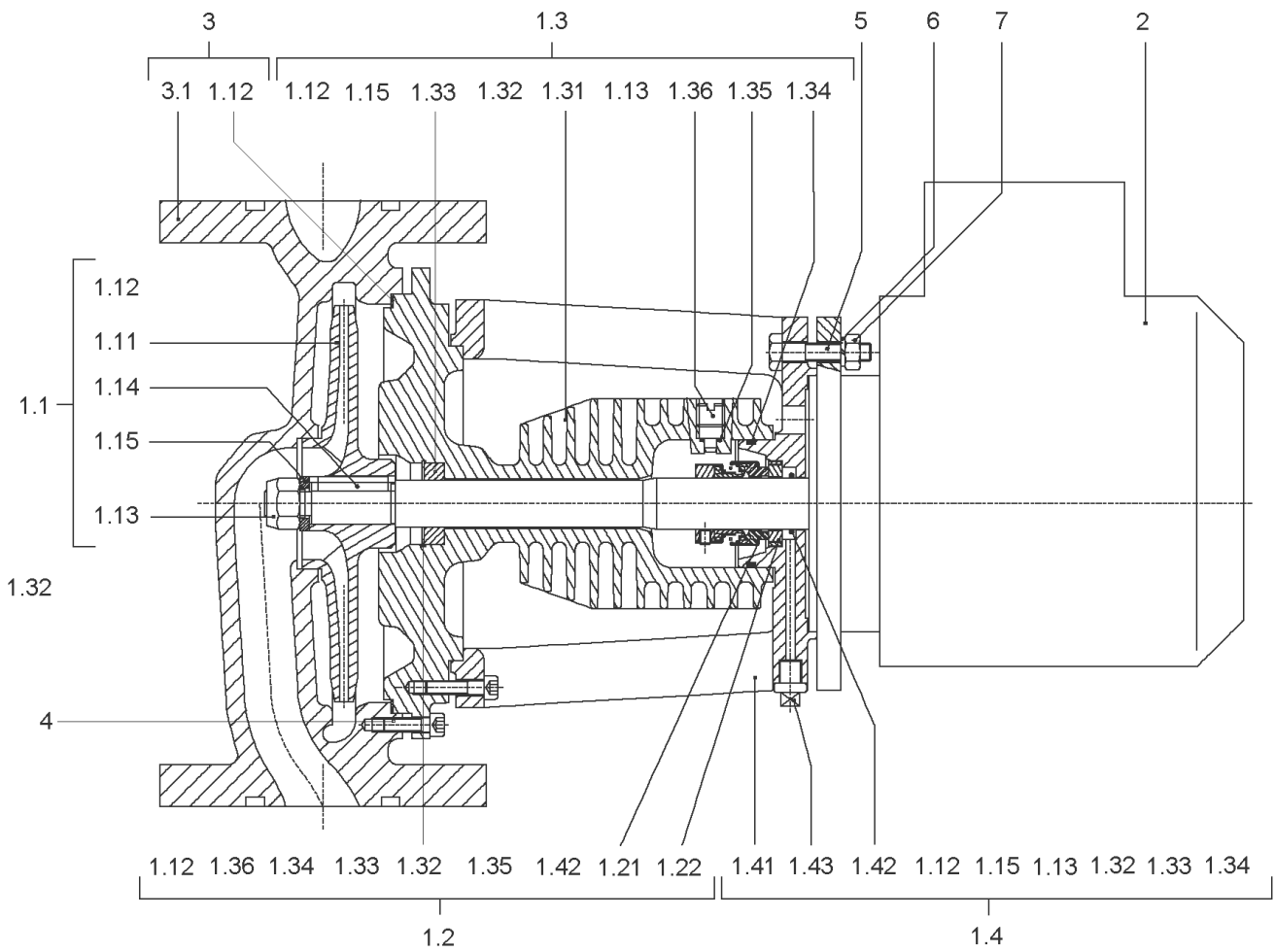
Spare parts motor 4/2/112 IE2

Item	Description	Quantity
LS	MOTOR 4-2T24B5-112F21-RU-A18X247-IE2-LS	1
Note: spare parts on request /Ersatzteile auf Anfrage /pieces de rechange sur demande		
ATB	Motor 4-2T24B5-112F21RU-A18x247-IE2ATB	1



Motor 4-2T24B5-112F21RU-A18x247-IE2ATB

Item	Article no.	Description	Quantity
2.1	2164171	Joint ring circular 35X51X7 ATB VP.	1
2.2	2145382	End Shield BG112 D.E.ATB VP.	1
2.3	2096258	SHIM BALL BEARING BG90-112 ATB VP.	1
2.4	121084190	BALL BEARING 6206/2Z-C3 (HT) VP.	1
2.5	121084190	BALL BEARING 6206/2Z-C3 (HT) VP.	1
2.6	2045002	END SHIELD BG112 N.D.E.ATB VP.	1
2.7	2111445	SCREW END SHILD M6X220 ATB(4 PIECES)	1
2.8	2123911	FAN WHEEL BG90 ATB KIT	1
2.8A		> FAN WHEEL BG90 721183 ATB	1
2.8B	2047016	> CORRUGATED SLEEVE RING BG90/100 ATB VP.	1
Note: Please give the data from type plate of the motor			
2.9	2164192	Fan hood BG112 RAL7001 ATB VP.	1
2.10	2164178	Terminal box cpl.BG112 ATB KIT	1
2.10A	2114270	> Term.box cover+gasket BG90-112 ATB VP.	1
Note: Please give the data from type plate of the motor			
2.10B	2096239	> GASKETS TERMINAL BOX BG90-112 ATB VP.	1
Note: Please give the data from type plate of the motor			
2.10C	2150996	> Terminal board cpl.BG56-132 ATB VP.	1
Note: Please give the data from type plate of the motor			
2.11	2046411	CIRCLIP 62X2 DIN472 FST	1
2.13	2096273	SPACER DISC BG90/112 ATB VP.	1



IPH-O65/160-4/2-IE2 (2105781)

Item	Article no.	Description	Quantity
1.1	2051150	IMPELLER IPH-O65/160 KIT	1
1.11		> IMPELLER IPH65/160(159) FGL BALANCED	1
1.12	2162632	> Flat gasket 173X165X1,5 C-4509 VP.	1
1.13	2162645	> Nut HEWI12X125 8 A2A VP.	1
1.14	2162646	> Key C 6X6X32 112 VP.	1
1.15	2162644	> Washer B12.5A25C4 VP.	1
1.2	4094357	MECHANICAL SEAL IPH-O KIT	1
1.12	2162632	> Flat gasket 173X165X1,5 C-4509 VP.	1
1.21		> ROTAT-RING-22.36.31NBR31.14.54-CYCLAM	1
1.22		> 22.37.6IN64.14INTERB.CYCLAM	1
1.32	2163927	> Circlip D.35X1.5 VP.	1
1.33	2150975	> Retaining ring IPH VP.	1
1.34	2163928	> O-Ring D.50X3 DF801 VP.	1
1.35	2163930	> O-Ring D.4,9X1,9 DF1438 VP.	1
1.36	2163932	> Venting screw IPH VP.	1
1.42	2163933	> Gasket D.20X2 DF801 VP.	1
1.3	2051151	COOLANT HOUSING IPH-O65/140-160 KIT	1
1.12	2162632	> Flat gasket 173X165X1,5 C-4509 VP.	1
1.13	2162645	> Nut HEWI12X125 8 A2A VP.	1
1.15	2162644	> Washer B12.5A25C4 VP.	1
1.31		> COOLING CASASING IPH65/140-160 PAINTED	1
1.32	2163927	> Circlip D.35X1.5 VP.	1
1.33	2150975	> Retaining ring IPH VP.	1
1.34	2163928	> O-Ring D.50X3 DF801 VP.	1
1.35	2163930	> O-Ring D.4,9X1,9 DF1438 VP.	1
1.36	2163932	> Venting screw IPH VP.	1
1.4	2051145	INTERMED.PIECE IPH-O65-80 4KW KIT	1
1.12	2162632	> Flat gasket 173X165X1,5 C-4509 VP.	1
1.13	2162645	> Nut HEWI12X125 8 A2A VP.	1
1.15	2162644	> Washer B12.5A25C4 VP.	1
1.32	2163927	> Circlip D.35X1.5 VP.	1
1.33	2150975	> Retaining ring IPH VP.	1
1.34	2163928	> O-Ring D.50X3 DF801 VP.	1
1.41		> LANTERN P215X180-F196 (IPH65/80) PAINTED	1

IPH-O65/160-4/2-IE2 (2105781)

Item	Article no.	Description	Quantity
1.42	2163933	> Gasket D.20X2 DF801 VP.	1
1.43	2163936	> Plug 1/4" VP.	1
2	2174748	Motor 4-2T24B5-112F21RU-A18x247-IE3 VP.	1
2		Spare parts motor 4/2/112 IE2	1
2		Spare parts motor:on request for IE3	1
3	2051149	PUMP HOUSING IPH-O65/140-160 KIT	1
1.12	2162632	> Flat gasket 173X165X1,5 C-4509 VP.	1
3.1		> PUMP HOUSING IPH65/160 PAINTED	1
4	2106311	SCREW M8X30 ISO4762 12.9 (4 PIECES)	1
5	2123555	SCREW M12x50 ISO4762 8.8 (4 PIECES)	1
6	2123557	WASHER CS-12.4-24-1.6-NFE25 (4 PIECES)	1
7	2123556	NUT M12-8 ISO4032 GEOMET (4 PIECES)	1
	2064424	COUNTER FLANGE IPH-O DN65 KIT	1
		> Flange EN1092-1/11C/DN65 PN25	1
	2163944	> Flat gasket D.109x95x1,5 C-4509 VP.	1

Motor-Typenschild/ Motor type plate/ Plaque identité moteur

Bei Ersatzteilbestellung Motor-Nummer angeben!

Indicate motor number for order of spare parts!

Pour une commande de pièces détachées, donner le numéro du moteur!

LS

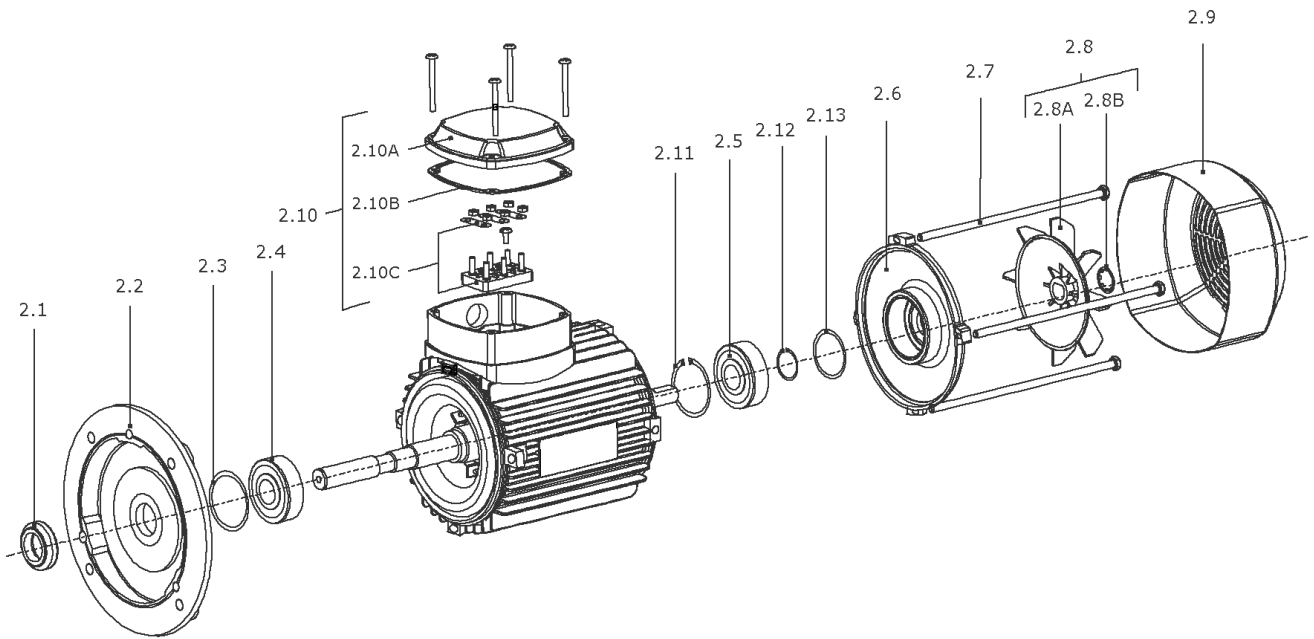
		° 3~LSES80L T							
		N° 216784 XD 001							
IP 55 1K08 cl.F 40° C SS1		11kg		80,6					
	V	Hz	min-1	kW	cosP	A	V	A	
Δ	230	50	2870	1.10	0.85	3.00			
λ	400	50	2870	1.10	0.85	2.30			

ATB

3-Mot	LF 80/2Z-11 +E2	/0609				
S1	IMB5	2280776	-0001 11767A			
IP 55	Th.Cl. 155(F)					
	Schwinggroessenstufe A					
Wilo-Nr. 2118936						
kW	V	Hz	A	cos Φ	1/min	
1,10	Δ 400/230	50	2,25/3,90	0.86	2880	IE2-79,6
1,10	λ 460/265	60	1,95/3,40	0.85	3490	IE2-82,5
IE75//50		kg	EN 60034		IE 2	

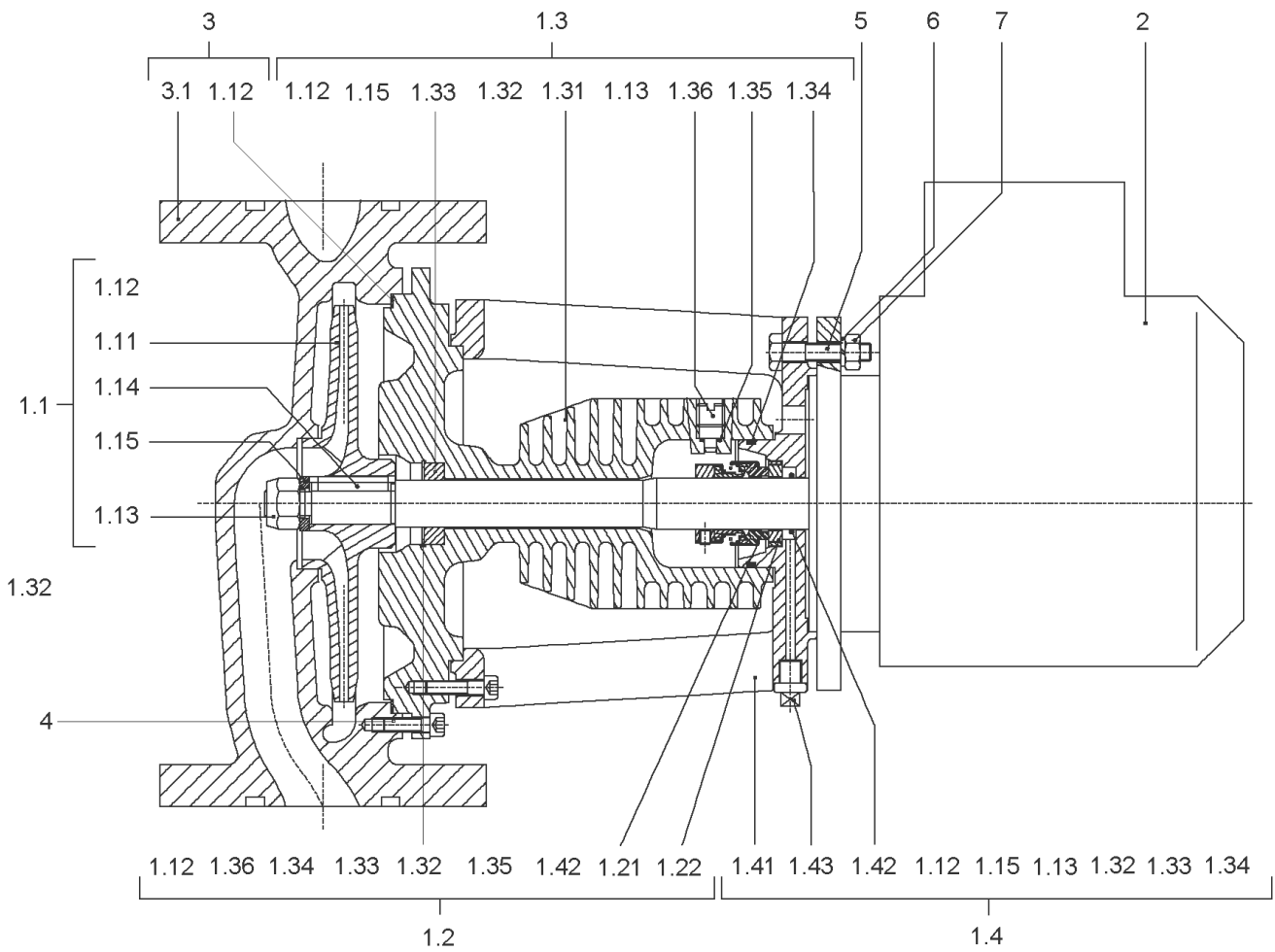
Spare parts motor 4/2/112 IE2

Item	Description	Quantity
LS	MOTOR 4-2T24B5-112F21-RU-A18X247-IE2-LS	1
Note: spare parts on request /Ersatzteile auf Anfrage /pieces de rechange sur demande		
ATB	Motor 4-2T24B5-112F21RU-A18x247-IE2ATB	1



Motor 4-2T24B5-112F21RU-A18x247-IE2ATB

Item	Article no.	Description	Quantity
2.1	2164171	Joint ring circular 35X51X7 ATB VP.	1
2.2	2145382	End Shield BG112 D.E.ATB VP.	1
2.3	2096258	SHIM BALL BEARING BG90-112 ATB VP.	1
2.4	121084190	BALL BEARING 6206/2Z-C3 (HT) VP.	1
2.5	121084190	BALL BEARING 6206/2Z-C3 (HT) VP.	1
2.6	2045002	END SHIELD BG112 N.D.E.ATB VP.	1
2.7	2111445	SCREW END SHILD M6X220 ATB(4 PIECES)	1
2.8	2123911	FAN WHEEL BG90 ATB KIT	1
2.8A		> FAN WHEEL BG90 721183 ATB	1
2.8B	2047016	> CORRUGATED SLEEVE RING BG90/100 ATB VP.	1
Note: Please give the data from type plate of the motor			
2.9	2164192	Fan hood BG112 RAL7001 ATB VP.	1
2.10	2164178	Terminal box cpl.BG112 ATB KIT	1
2.10A	2114270	> Term.box cover+gasket BG90-112 ATB VP.	1
Note: Please give the data from type plate of the motor			
2.10B	2096239	> GASKETS TERMINAL BOX BG90-112 ATB VP.	1
Note: Please give the data from type plate of the motor			
2.10C	2150996	> Terminal board cpl.BG56-132 ATB VP.	1
Note: Please give the data from type plate of the motor			
2.11	2046411	CIRCLIP 62X2 DIN472 FST	1
2.13	2096273	SPACER DISC BG90/112 ATB VP.	1



IPH-O80/110-2,2/2-IE2 (2105782)

Item	Article no.	Description	Quantity
1.1	2051147	IMPELLER IPH-O80/110 KIT	1
1.11		> IMPELLER IPH80/110(115) FGL BALANCED	1
1.12	2162632	> Flat gasket 173X165X1,5 C-4509 VP.	1
1.13	2162645	> Nut HEWI12X125 8 A2A VP.	1
1.14	2162646	> Key C 6X6X32 112 VP.	1
1.15	2162644	> Washer B12.5A25C4 VP.	1
1.2	4094357	MECHANICAL SEAL IPH-O KIT	1
1.12	2162632	> Flat gasket 173X165X1,5 C-4509 VP.	1
1.21		> ROTAT-RING-22.36.31NBR31.14.54-CYCLAM	1
1.22		> 22.37.6IN64.14INTERB.CYCLAM	1
1.32	2163927	> Circlip D.35X1.5 VP.	1
1.33	2150975	> Retaining ring IPH VP.	1
1.34	2163928	> O-Ring D.50X3 DF801 VP.	1
1.35	2163930	> O-Ring D.4,9X1,9 DF1438 VP.	1
1.36	2163932	> Venting screw IPH VP.	1
1.42	2163933	> Gasket D.20X2 DF801 VP.	1
1.3	2051148	COOLANT HOUSING IPH-O65-80/110-125 KIT	1
1.12	2162632	> Flat gasket 173X165X1,5 C-4509 VP.	1
1.13	2162645	> Nut HEWI12X125 8 A2A VP.	1
1.15	2162644	> Washer B12.5A25C4 VP.	1
1.31		> COOLING CAS.IPH20/160+65-80/110-125PAINT	1
1.32	2163927	> Circlip D.35X1.5 VP.	1
1.33	2150975	> Retaining ring IPH VP.	1
1.34	2163928	> O-Ring D.50X3 DF801 VP.	1
1.35	2163930	> O-Ring D.4,9X1,9 DF1438 VP.	1
1.36	2163932	> Venting screw IPH VP.	1
1.4	2051141	INTERMEDIATE PIECE IPH-O KIT	1
1.12	2162632	> Flat gasket 173X165X1,5 C-4509 VP.	1
1.13	2162645	> Nut HEWI12X125 8 A2A VP.	1
1.15	2162644	> Washer B12.5A25C4 VP.	1
1.32	2163927	> Circlip D.35X1.5 VP.	1
1.33	2150975	> Retaining ring IPH VP.	1
1.34	2163928	> O-Ring D.50X3 DF801 VP.	1
1.41		> LANTERN P130X110-F196 (IPH20/65/80)PAINT	1

IPH-O80/110-2,2/2-IE2 (2105782)

Item	Article no.	Description	Quantity
1.42	2163933	> Gasket D.20X2 DF801 VP.	1
1.43	2163934	> Plug 1/8" GF290 FM VP.	1
2	2174746	Motor 2,2-2T24B5-90F13RU-A18x237-IE3 VP.	1
2		Spare parts motor 2,2/2/90 IE2	1
2		Spare parts motor:on request for IE3	1
3	2051146	PUMP HOUSING IPH-O80/110 KIT	1
1.12	2162632	> Flat gasket 173X165X1,5 C-4509 VP.	1
3.1		> PUMP HOUSING IPH80/125 PAINTED	1
4	2106311	SCREW M8X30 ISO4762 12.9 (4 PIECES)	1
5	2123552	SCREW M8X40 ISO4762 8.8 (4 PIECES)	1
7	2112817	NUT M8-8 ISO4032 GEOMET (4 PIECES)	1
	2064426	COUNTER FLANGE IPH-O DN80 KIT	1
		> Flange EN1092-1/11C/DN80 PN25	1
	2163945	> Flat gasket D.120x106x1,5 C-4509 VP.	1

Motor-Typenschild/ Motor type plate/ Plaque identité moteur

Bei Ersatzteilbestellung Motor-Nummer angeben!

Indicate motor number for order of spare parts!

Pour une commande de pièces détachées, donner le numéro du moteur!

LS

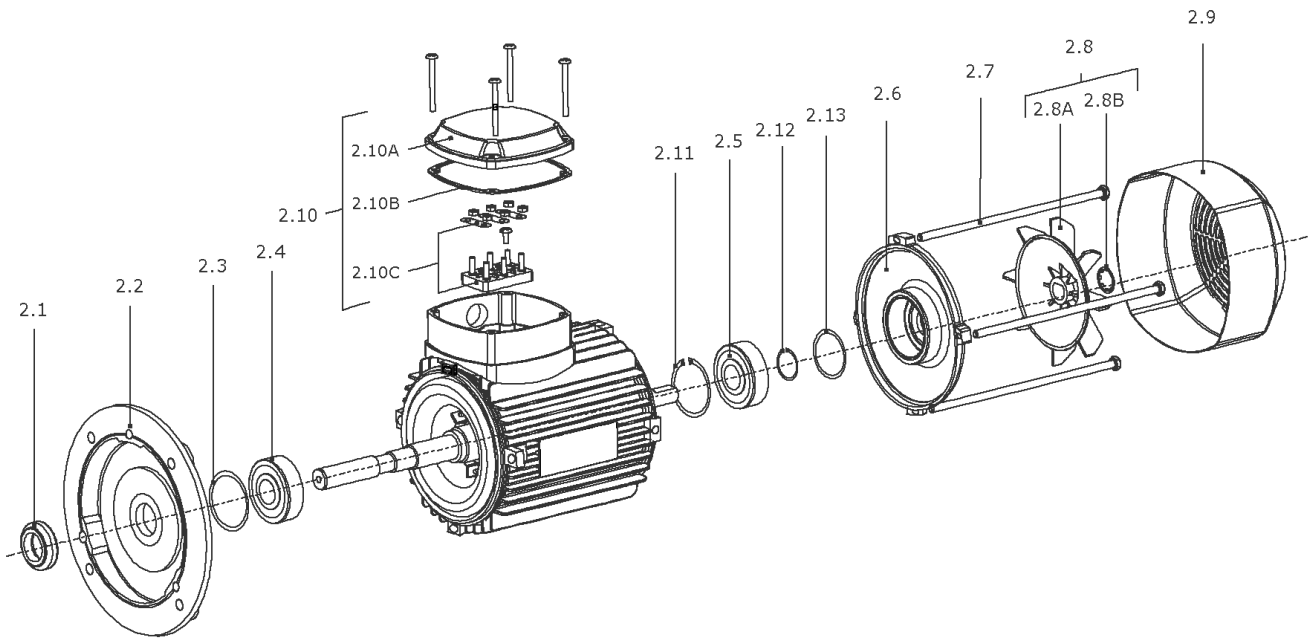
		3~LSES80L T							
		N° 216784 XD 001							
IP 55 1K08 cl.F 40° C SS1		11kg		80,6					
	V	Hz	min-1	kW	cosP	A	V	A	
Δ	230	50	2870	1.10	0.85	3.00			
λ	400	50	2870	1.10	0.85	2.30			

ATB

3-Mot	LF 80/2Z-11 +E2	/0609			
S1	IMB5	2280776	-0001	11767A	
IP 55	Th.Cl. 155(F)				
	Schwinggroessenstufe A				
Wilo-Nr. 2118936					
kW	V	Hz	A	cos Φ	1/min
1,10	Δ 400/230	50	2,25/3,90	0.86	2880 IE2-79,6
1,10	λ 460/265	60	1,95/3,40	0.85	3490 IE2-82,5
IE75//50		kg		EN 60034 IE 2	

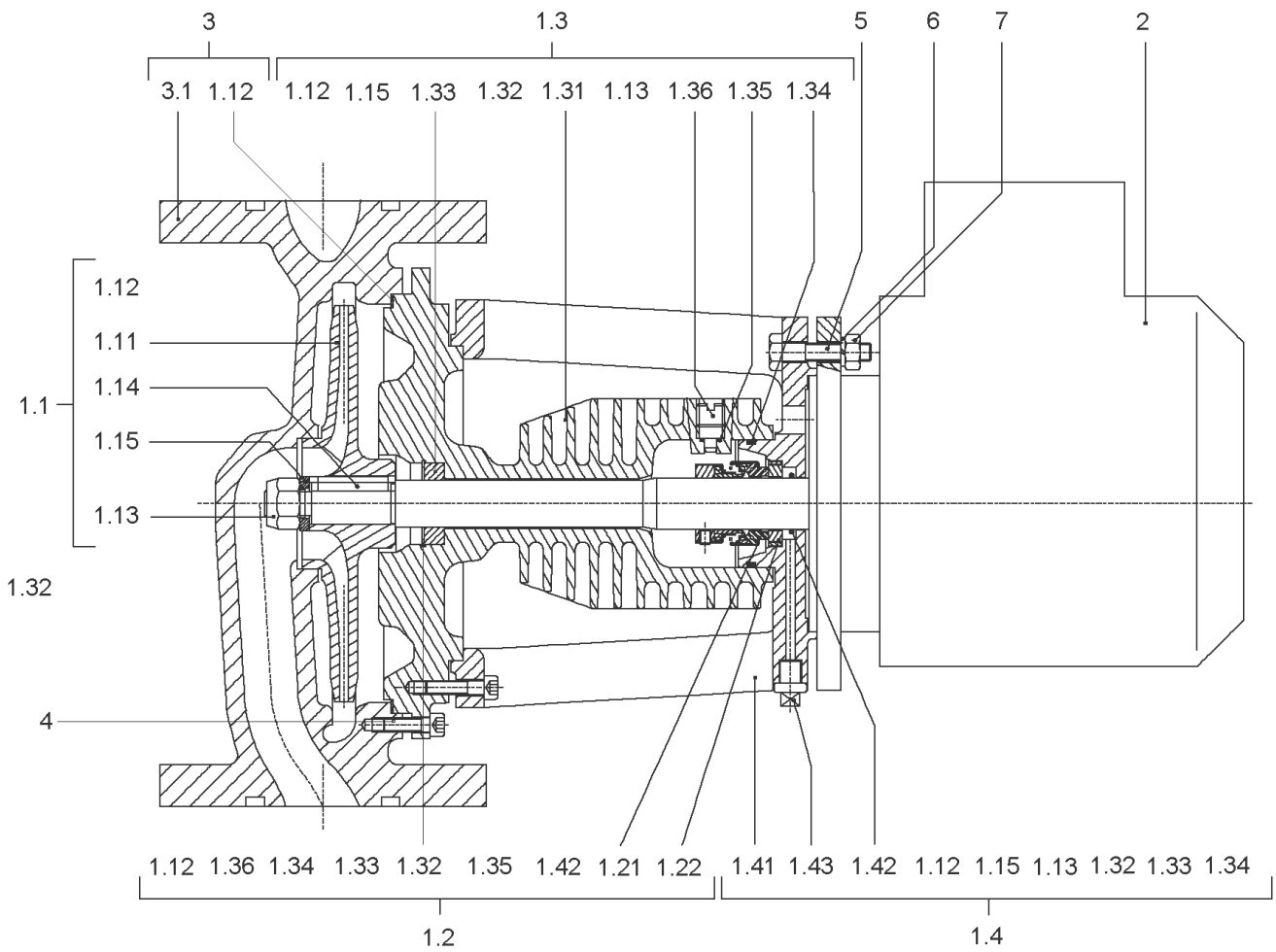
Spare parts motor 2,2/2/90 IE2

Item	Description	Quantity
LS	MOTOR 2,2-2T24B5-90F13-RU-A18X237-IE2-LS	1
ATB	Motor 2,2-2T24B5-90F13RU-A18x237-IE2ATB	1



Motor 2,2-2T24B5-90F13RU-A18x237-IE2ATB

Item	Article no.	Description	Quantity
2.1	2112921	JOINT RING CIRCULAR 25X35X4 ATB VP.	1
2.2	2164166	Capacitor 25µF 400VDB VP.	1
2.3	2096256	SHIM BALL BEARING BG90/100 ATB VP.	1
2.4	121083998	BALL BEARING 6205/2Z-C3 (HT) VP.	1
2.5	121083998	BALL BEARING 6205/2Z-C3 (HT) VP.	1
2.6	2123946	END SHIELD BG90/100 N.D.E.ATB VP.	1
2.7	2112674	SCREW END SHIELD M5X190 ATB(4 PIECES)	1
2.8	2123911	FAN WHEEL BG90 ATB KIT	1
2.8A		> FAN WHEEL BG90 721183 ATB	1
2.8B	2047016	> CORRUGATED SLEEVE RING BG90/100 ATB VP.	1
Note: Please give the data from type plate of the motor			
2.9	2150919	Fan housing BG90/100 RAL7001 ATB VP.	1
2.10	2124004	TERMINAL BOX CPL.BG90 ATB KIT	1
2.10A	2114270	> Term.box cover+gasket BG90-112 ATB VP.	1
Note: Please give the data from type plate of the motor			
2.10B	2096239	> GASKETS TERMINAL BOX BG90-112 ATB VP.	1
Note: Please give the data from type plate of the motor			
2.10C	2150996	> Terminal board cpl.BG56-132 ATB VP.	1
Note: Please give the data from type plate of the motor			
2.11	2112677	CIRCLIP 52X2 J ATB VP.	1
2.12	2112922	CIRCLIP 25X1,2 DIN471 ATB VP.	1
2.13	2096272	SPACER DISC BG80-100 ATB VP.	1



IPH-O80/140-4/2-IE2 (2105783)

Item	Article no.	Description	Quantity
1.1	2051144	IMPELLER IPH-O80/140 KIT	1
1.11		> IMPELLER IPH80/140(138) FGL BALANCED	1
1.12	2162632	> Flat gasket 173X165X1,5 C-4509 VP.	1
1.13	2162645	> Nut HEWI12X125 8 A2A VP.	1
1.14	2162646	> Key C 6X6X32 112 VP.	1
1.15	2162644	> Washer B12.5A25C4 VP.	1
1.2	4094357	MECHANICAL SEAL IPH-O KIT	1
1.12	2162632	> Flat gasket 173X165X1,5 C-4509 VP.	1
1.21		> ROTAT-RING-22.36.31NBR31.14.54-CYCLAM	1
1.22		> 22.37.6IN64.14INTERB.CYCLAM	1
1.32	2163927	> Circlip D.35X1.5 VP.	1
1.33	2150975	> Retaining ring IPH VP.	1
1.34	2163928	> O-Ring D.50X3 DF801 VP.	1
1.35	2163930	> O-Ring D.4,9X1,9 DF1438 VP.	1
1.36	2163932	> Venting screw IPH VP.	1
1.42	2163933	> Gasket D.20X2 DF801 VP.	1
1.3	2051139	COOLANT HOUSING IPH-O80/140-160 KIT	1
1.12	2162632	> Flat gasket 173X165X1,5 C-4509 VP.	1
1.13	2162645	> Nut HEWI12X125 8 A2A VP.	1
1.15	2162644	> Washer B12.5A25C4 VP.	1
1.31		> COOLING CASASING IPH80/140-160 PAINTED	1
1.32	2163927	> Circlip D.35X1.5 VP.	1
1.33	2150975	> Retaining ring IPH VP.	1
1.34	2163928	> O-Ring D.50X3 DF801 VP.	1
1.35	2163930	> O-Ring D.4,9X1,9 DF1438 VP.	1
1.36	2163932	> Venting screw IPH VP.	1
1.4	2051145	INTERMED.PIECE IPH-O65-80 4KW KIT	1
1.12	2162632	> Flat gasket 173X165X1,5 C-4509 VP.	1
1.13	2162645	> Nut HEWI12X125 8 A2A VP.	1
1.15	2162644	> Washer B12.5A25C4 VP.	1
1.32	2163927	> Circlip D.35X1.5 VP.	1
1.33	2150975	> Retaining ring IPH VP.	1
1.34	2163928	> O-Ring D.50X3 DF801 VP.	1
1.41		> LANTERN P215X180-F196 (IPH65/80) PAINTED	1

IPH-O80/140-4/2-IE2 (2105783)

Item	Article no.	Description	Quantity
1.42	2163933	> Gasket D.20X2 DF801 VP.	1
1.43	2163936	> Plug 1/4" VP.	1
2	2174748	Motor 4-2T24B5-112F21RU-A18x247-IE3 VP.	1
2		Spare parts motor 4/2/112 IE2	1
2		Spare parts motor:on request for IE3	1
3	2051142	PUMP HOUSING IPH-O80/140-160 KIT	1
1.12	2162632	> Flat gasket 173X165X1,5 C-4509 VP.	1
3.1		> PUMP HOUSING IPH80/160 PAINTED	1
4	2106311	SCREW M8X30 ISO4762 12.9 (4 PIECES)	1
5	2123555	SCREW M12x50 ISO4762 8.8 (4 PIECES)	1
6	2123557	WASHER CS-12.4-24-1.6-NFE25 (4 PIECES)	1
7	2123556	NUT M12-8 ISO4032 GEOMET (4 PIECES)	1
	2064426	COUNTER FLANGE IPH-O DN80 KIT	1
		> Flange EN1092-1/11C/DN80 PN25	1
	2163945	> Flat gasket D.120x106x1,5 C-4509 VP.	1

Motor-Typenschild/ Motor type plate/ Plaque identité moteur

Bei Ersatzteilbestellung Motor-Nummer angeben!

Indicate motor number for order of spare parts!

Pour une commande de pièces détachées, donner le numéro du moteur!

LS

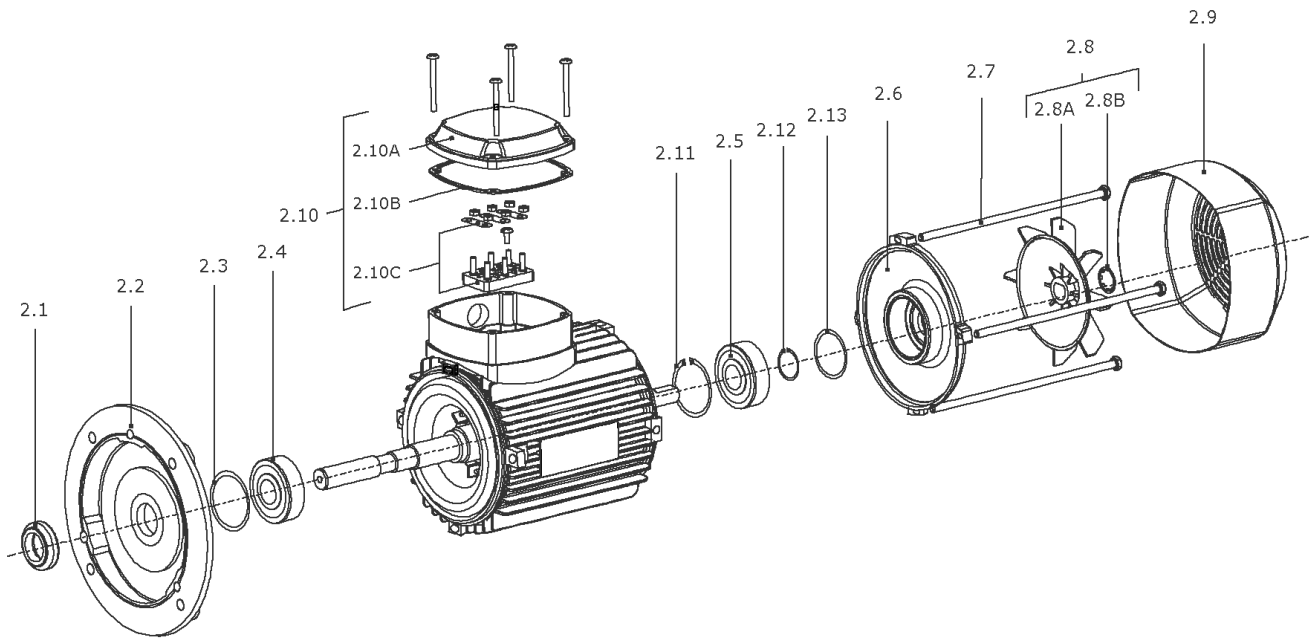
		° 3~LSES80L T							
		N° 216784 XD 001							
IP 55 1K08 cl.F 40° C SS1		11kg		IE2 80,6					
	V	Hz	min-1	kW	cosP	A	V	A	
Δ	230	50	2870	1.10	0.85	3.00			
λ	400	50	2870	1.10	0.85	2.30			

ATB

3-Mot	LF 80/2Z-11 IE2	/0609				
S1	IMB5	2280776	-0001 11767A			
IP 55	Th.Cl. 155(F)					
	Schwinggroessenstufe A					
Wilo-Nr. 2118936						
kW	V	Hz	A	cos Φ	1/min	
1,10	Δ 400/230	50	2,25/3,90	0.86	2880	IE2-79,6
1,10	λ 460/265	60	1,95/3,40	0.85	3490	IE2-82,5
IE75//50		kg	EN 60034		IE 2	

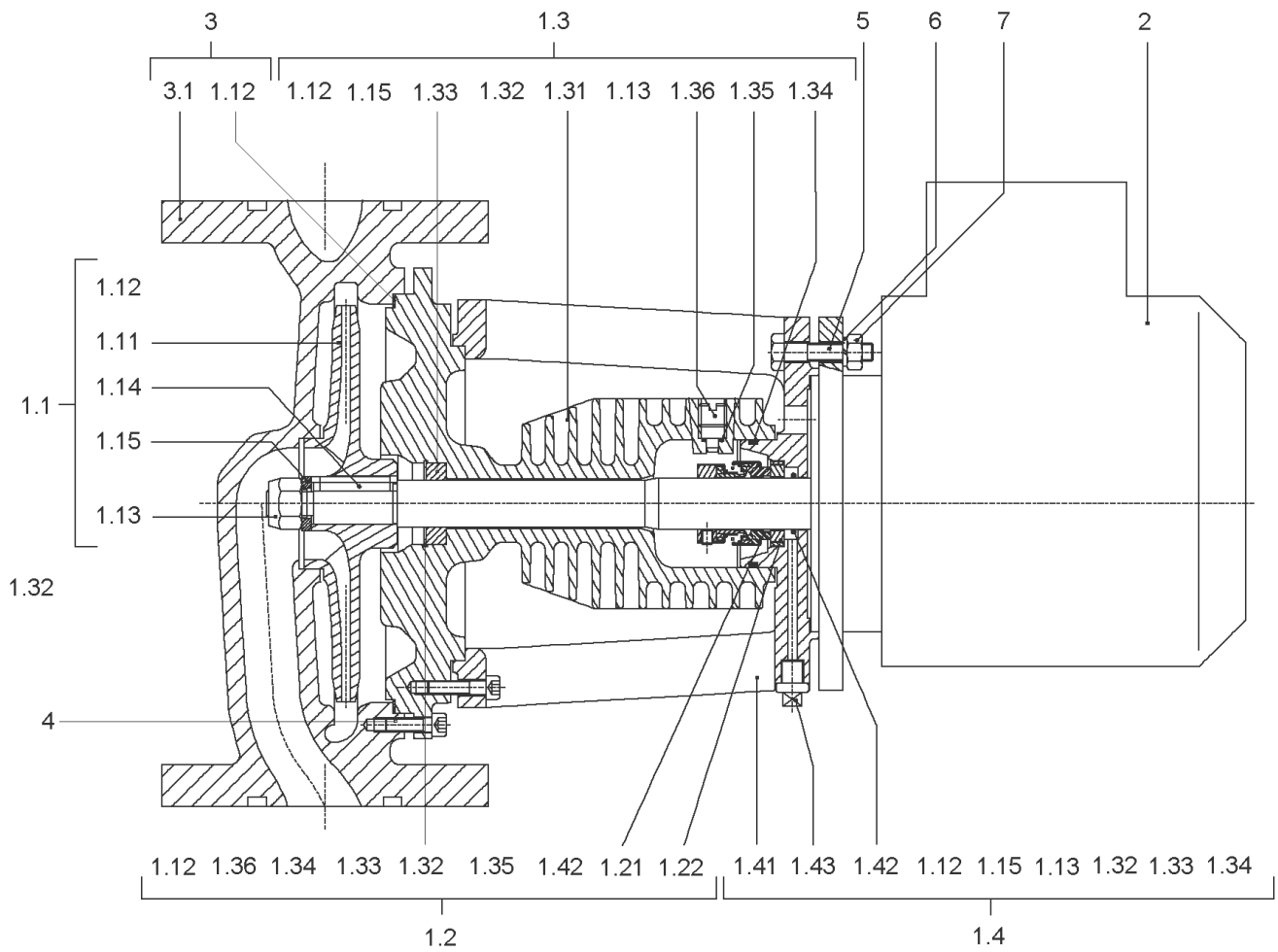
Spare parts motor 4/2/112 IE2

Item	Description	Quantity
LS	MOTOR 4-2T24B5-112F21-RU-A18X247-IE2-LS	1
Note: spare parts on request /Ersatzteile auf Anfrage /pieces de rechange sur demande		
ATB	Motor 4-2T24B5-112F21RU-A18x247-IE2ATB	1



Motor 4-2T24B5-112F21RU-A18x247-IE2ATB

Item	Article no.	Description	Quantity
2.1	2164171	Joint ring circular 35X51X7 ATB VP.	1
2.2	2145382	End Shield BG112 D.E.ATB VP.	1
2.3	2096258	SHIM BALL BEARING BG90-112 ATB VP.	1
2.4	121084190	BALL BEARING 6206/2Z-C3 (HT) VP.	1
2.5	121084190	BALL BEARING 6206/2Z-C3 (HT) VP.	1
2.6	2045002	END SHIELD BG112 N.D.E.ATB VP.	1
2.7	2111445	SCREW END SHILD M6X220 ATB(4 PIECES)	1
2.8	2123911	FAN WHEEL BG90 ATB KIT	1
2.8A		> FAN WHEEL BG90 721183 ATB	1
2.8B	2047016	> CORRUGATED SLEEVE RING BG90/100 ATB VP.	1
Note: Please give the data from type plate of the motor			
2.9	2164192	Fan hood BG112 RAL7001 ATB VP.	1
2.10	2164178	Terminal box cpl.BG112 ATB KIT	1
2.10A	2114270	> Term.box cover+gasket BG90-112 ATB VP.	1
Note: Please give the data from type plate of the motor			
2.10B	2096239	> GASKETS TERMINAL BOX BG90-112 ATB VP.	1
Note: Please give the data from type plate of the motor			
2.10C	2150996	> Terminal board cpl.BG56-132 ATB VP.	1
Note: Please give the data from type plate of the motor			
2.11	2046411	CIRCLIP 62X2 DIN472 FST	1
2.13	2096273	SPACER DISC BG90/112 ATB VP.	1

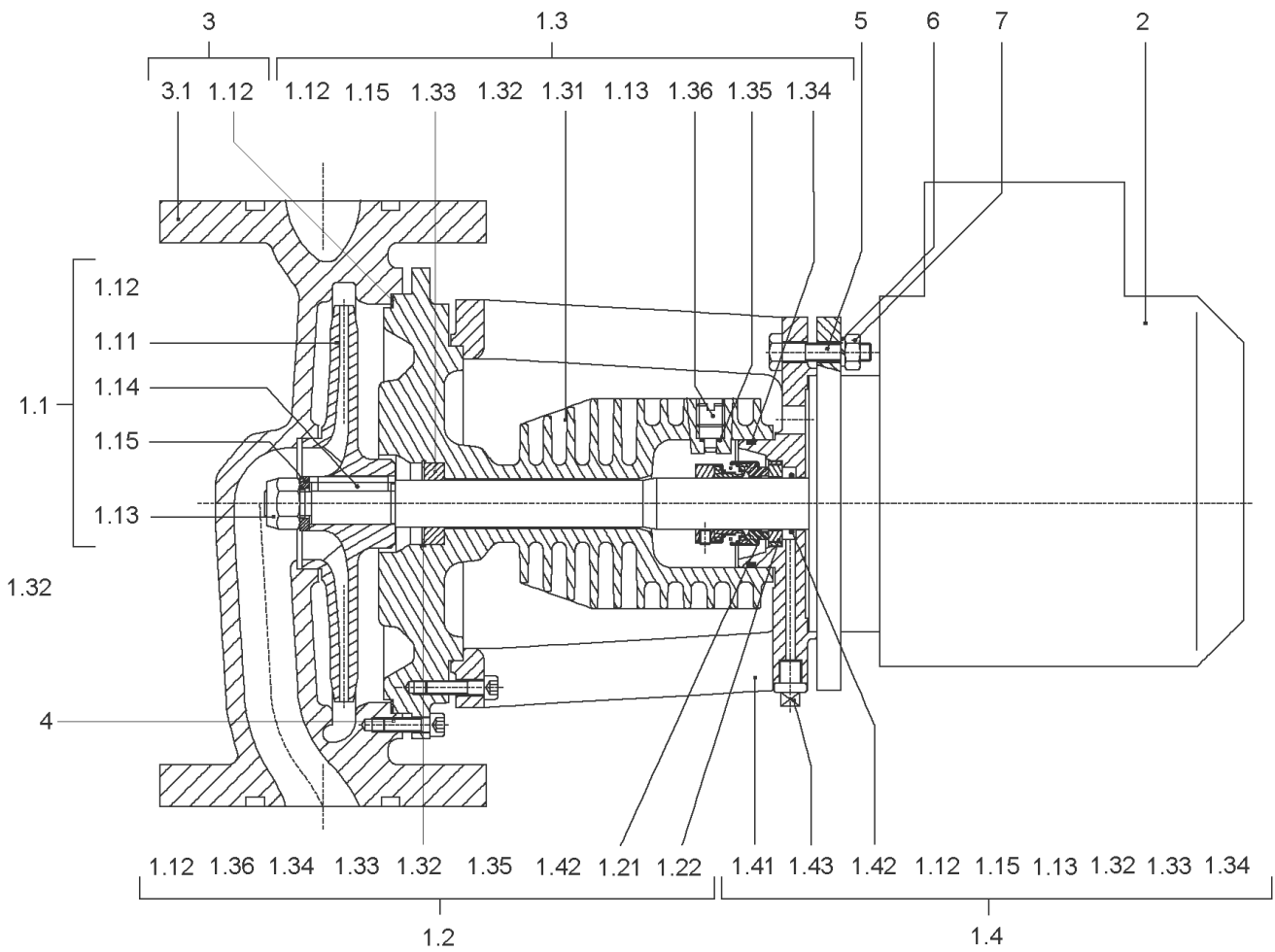


IPH-O65/125-1,1/4 (2121290)

Item	Article no.	Description	Quantity
1.1	2051154	IMPELLER IPH-O65/125 KIT	1
1.11		> IMPELLER IPH65/125(124) FGL BALANCED	1
1.12	2162632	> Flat gasket 173X165X1,5 C-4509 VP.	1
1.13	2162645	> Nut HEWI12X125 8 A2A VP.	1
1.14	2162646	> Key C 6X6X32 112 VP.	1
1.15	2162644	> Washer B12.5A25C4 VP.	1
1.2	4094357	MECHANICAL SEAL IPH-O KIT	1
1.12	2162632	> Flat gasket 173X165X1,5 C-4509 VP.	1
1.21		> ROTAT-RING-22.36.31NBR31.14.54-CYCLAM	1
1.22		> 22.37.6IN64.14INTERB.CYCLAM	1
1.32	2163927	> Circlip D.35X1.5 VP.	1
1.33	2150975	> Retaining ring IPH VP.	1
1.34	2163928	> O-Ring D.50X3 DF801 VP.	1
1.35	2163930	> O-Ring D.4,9X1,9 DF1438 VP.	1
1.36	2163932	> Venting screw IPH VP.	1
1.42	2163933	> Gasket D.20X2 DF801 VP.	1
1.3	2051148	COOLANT HOUSING IPH-O65-80/110-125 KIT	1
1.12	2162632	> Flat gasket 173X165X1,5 C-4509 VP.	1
1.13	2162645	> Nut HEWI12X125 8 A2A VP.	1
1.15	2162644	> Washer B12.5A25C4 VP.	1
1.31		> COOLING CAS.IPH20/160+65-80/110-125PAINT	1
1.32	2163927	> Circlip D.35X1.5 VP.	1
1.33	2150975	> Retaining ring IPH VP.	1
1.34	2163928	> O-Ring D.50X3 DF801 VP.	1
1.35	2163930	> O-Ring D.4,9X1,9 DF1438 VP.	1
1.36	2163932	> Venting screw IPH VP.	1
1.4	2051141	INTERMEDIATE PIECE IPH-O KIT	1
1.12	2162632	> Flat gasket 173X165X1,5 C-4509 VP.	1
1.13	2162645	> Nut HEWI12X125 8 A2A VP.	1
1.15	2162644	> Washer B12.5A25C4 VP.	1
1.32	2163927	> Circlip D.35X1.5 VP.	1
1.33	2150975	> Retaining ring IPH VP.	1
1.34	2163928	> O-Ring D.50X3 DF801 VP.	1
1.41		> LANTERN P130X110-F196 (IPH20/65/80)PAINT	1

IPH-O65/125-1,1/4 (2121290)

Item	Article no.	Description	Quantity
1.42	2163933	> Gasket D.20X2 DF801 VP.	1
1.43	2163934	> Plug 1/8" GF290 FM VP.	1
2	2174744	Motor 1,1-4T24B5-90F13RU-A18x237-IE3 VP.	1
2		SPARE PARTS MOTOR:ON REQUEST	1
3	2051153	PH.IPH-O65/125-1,1+/110-125-2,2 KIT	1
1.12	2162632	> Flat gasket 173X165X1,5 C-4509 VP.	1
3.1		> PUMP HOUSING IPH65/125 PAINTED	1
4	2106311	SCREW M8X30 ISO4762 12.9 (4 PIECES)	1
5	2123552	SCREW M8X40 ISO4762 8.8 (4 PIECES)	1
7	2112817	NUT M8-8 ISO4032 GEOMET (4 PIECES)	1
	2064424	COUNTER FLANGE IPH-O DN65 KIT	1
		> Flange EN1092-1/11C/DN65 PN25	1
	2163944	> Flat gasket D.109x95x1,5 C-4509 VP.	1

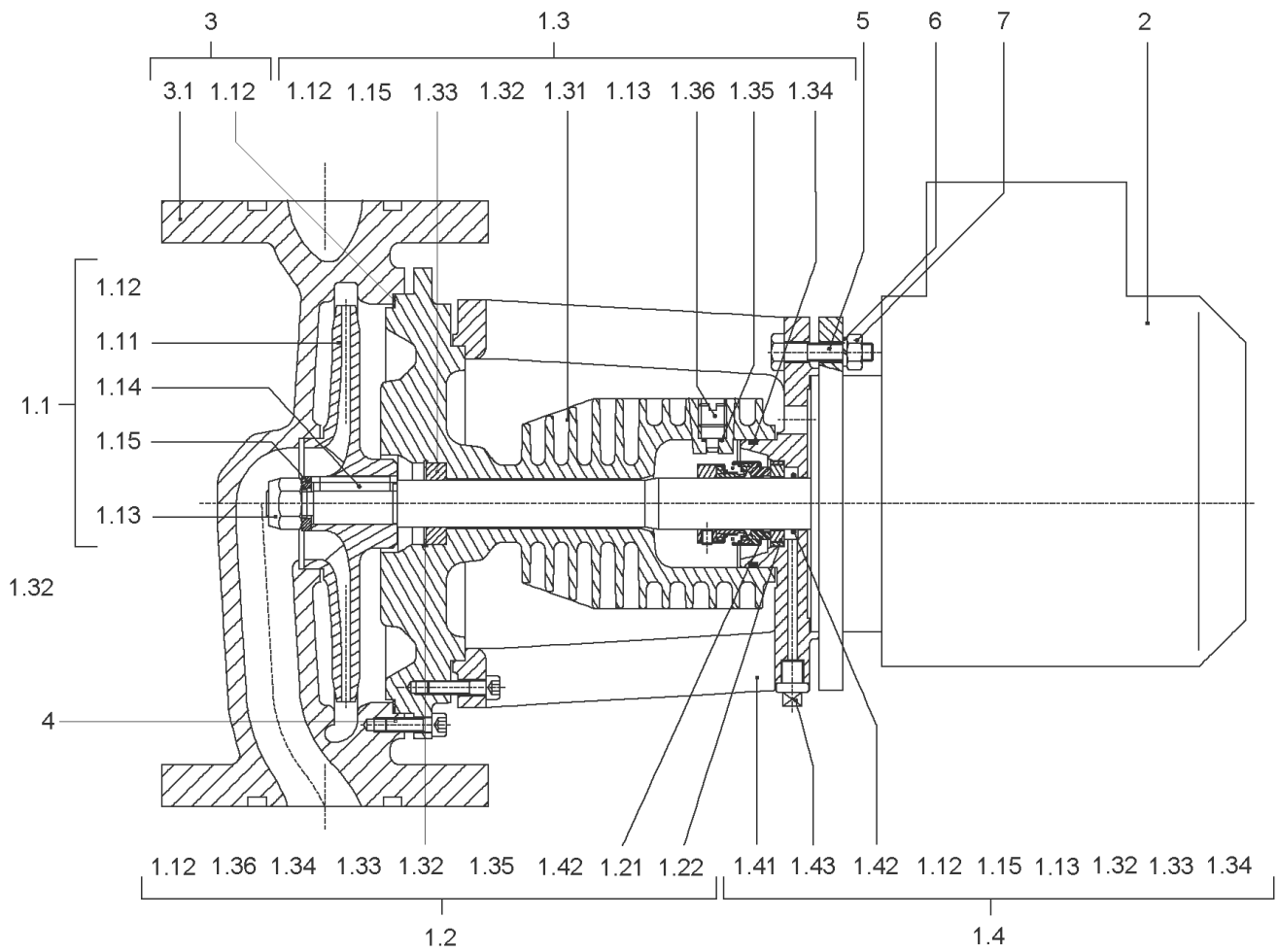


IPH-O65/140-1,1/4 (2121291)

Item	Article no.	Description	Quantity
1.1	2051152	IMPELLER IPH-O65/140/1,1+4KW KIT	1
1.11		> IMPELLER IPH65/140(145) FGL BALANCED	1
1.12	2162632	> Flat gasket 173X165X1,5 C-4509 VP.	1
1.13	2162645	> Nut HEWI12X125 8 A2A VP.	1
1.14	2162646	> Key C 6X6X32 112 VP.	1
1.15	2162644	> Washer B12.5A25C4 VP.	1
1.2	4094357	MECHANICAL SEAL IPH-O KIT	1
1.12	2162632	> Flat gasket 173X165X1,5 C-4509 VP.	1
1.21		> ROTAT-RING-22.36.31NBR31.14.54-CYCLAM	1
1.22		> 22.37.6IN64.14INTERB.CYCLAM	1
1.32	2163927	> Circlip D.35X1.5 VP.	1
1.33	2150975	> Retaining ring IPH VP.	1
1.34	2163928	> O-Ring D.50X3 DF801 VP.	1
1.35	2163930	> O-Ring D.4,9X1,9 DF1438 VP.	1
1.36	2163932	> Venting screw IPH VP.	1
1.42	2163933	> Gasket D.20X2 DF801 VP.	1
1.3	2051151	COOLANT HOUSING IPH-O65/140-160 KIT	1
1.12	2162632	> Flat gasket 173X165X1,5 C-4509 VP.	1
1.13	2162645	> Nut HEWI12X125 8 A2A VP.	1
1.15	2162644	> Washer B12.5A25C4 VP.	1
1.31		> COOLING CASASING IPH65/140-160 PAINTED	1
1.32	2163927	> Circlip D.35X1.5 VP.	1
1.33	2150975	> Retaining ring IPH VP.	1
1.34	2163928	> O-Ring D.50X3 DF801 VP.	1
1.35	2163930	> O-Ring D.4,9X1,9 DF1438 VP.	1
1.36	2163932	> Venting screw IPH VP.	1
1.4	2051141	INTERMEDIATE PIECE IPH-O KIT	1
1.12	2162632	> Flat gasket 173X165X1,5 C-4509 VP.	1
1.13	2162645	> Nut HEWI12X125 8 A2A VP.	1
1.15	2162644	> Washer B12.5A25C4 VP.	1
1.32	2163927	> Circlip D.35X1.5 VP.	1
1.33	2150975	> Retaining ring IPH VP.	1
1.34	2163928	> O-Ring D.50X3 DF801 VP.	1
1.41		> LANTERN P130X110-F196 (IPH20/65/80)PAINT	1

IPH-O65/140-1,1/4 (2121291)

Item	Article no.	Description	Quantity
1.42	2163933	> Gasket D.20X2 DF801 VP.	1
1.43	2163934	> Plug 1/8" GF290 FM VP.	1
2	2174744	Motor 1,1-4T24B5-90F13RU-A18x237-IE3 VP.	1
2		SPARE PARTS MOTOR:ON REQUEST	1
3	2051149	PUMP HOUSING IPH-O65/140-160 KIT	1
1.12	2162632	> Flat gasket 173X165X1,5 C-4509 VP.	1
3.1		> PUMP HOUSING IPH65/160 PAINTED	1
4	2106311	SCREW M8X30 ISO4762 12.9 (4 PIECES)	1
5	2123552	SCREW M8X40 ISO4762 8.8 (4 PIECES)	1
7	2112817	NUT M8-8 ISO4032 GEOMET (4 PIECES)	1
	2064424	COUNTER FLANGE IPH-O DN65 KIT	1
		> Flange EN1092-1/11C/DN65 PN25	1
	2163944	> Flat gasket D.109x95x1,5 C-4509 VP.	1

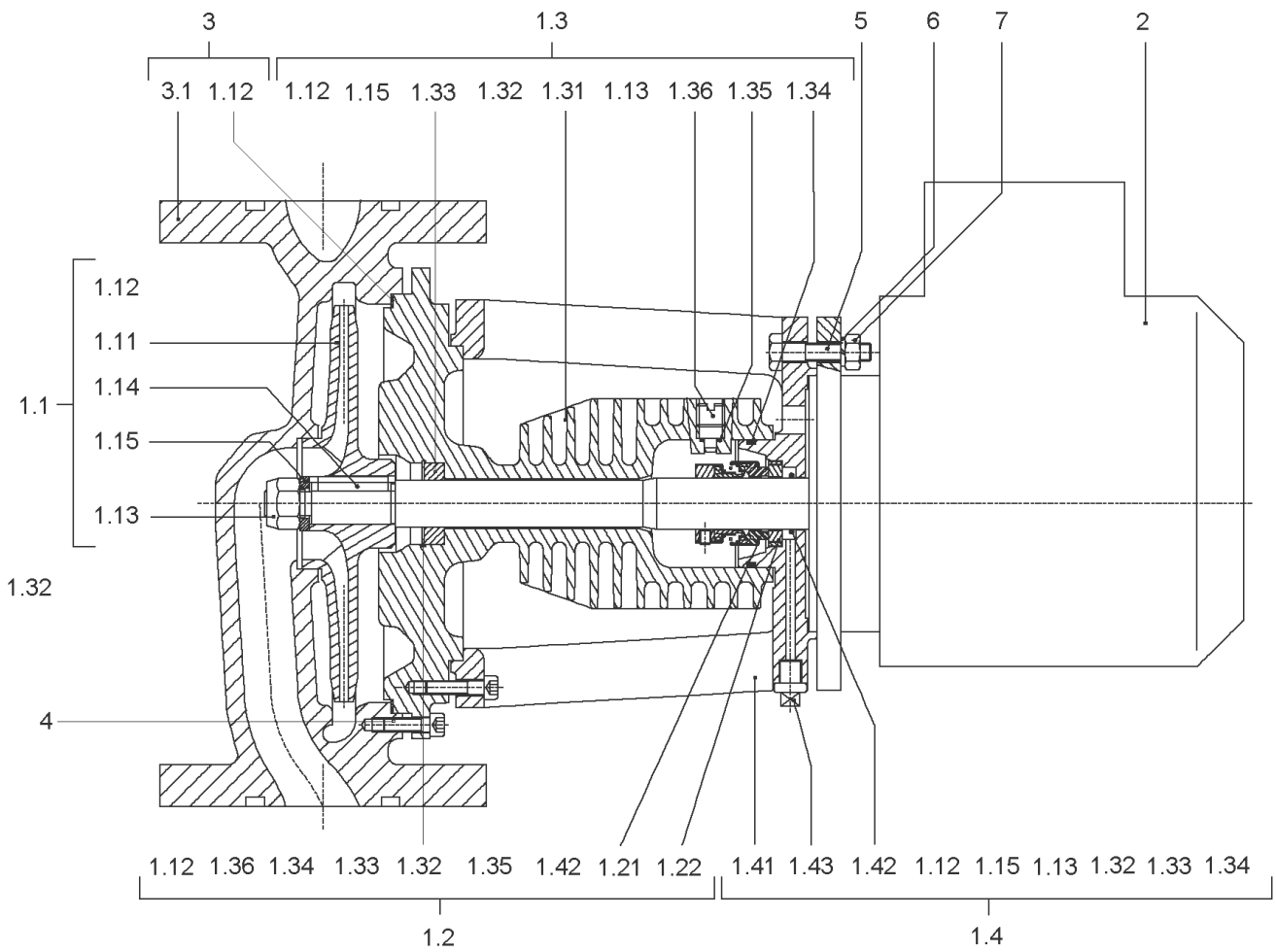


IPH-O65/160-1,1/4 (2121292)

Item	Article no.	Description	Quantity
1.1	2051150	IMPELLER IPH-O65/160 KIT	1
1.11		> IMPELLER IPH65/160(159) FGL BALANCED	1
1.12	2162632	> Flat gasket 173X165X1,5 C-4509 VP.	1
1.13	2162645	> Nut HEWI12X125 8 A2A VP.	1
1.14	2162646	> Key C 6X6X32 112 VP.	1
1.15	2162644	> Washer B12.5A25C4 VP.	1
1.2	4094357	MECHANICAL SEAL IPH-O KIT	1
1.12	2162632	> Flat gasket 173X165X1,5 C-4509 VP.	1
1.21		> ROTAT-RING-22.36.31NBR31.14.54-CYCLAM	1
1.22		> 22.37.6IN64.14INTERB.CYCLAM	1
1.32	2163927	> Circlip D.35X1.5 VP.	1
1.33	2150975	> Retaining ring IPH VP.	1
1.34	2163928	> O-Ring D.50X3 DF801 VP.	1
1.35	2163930	> O-Ring D.4,9X1,9 DF1438 VP.	1
1.36	2163932	> Venting screw IPH VP.	1
1.42	2163933	> Gasket D.20X2 DF801 VP.	1
1.3	2051151	COOLANT HOUSING IPH-O65/140-160 KIT	1
1.12	2162632	> Flat gasket 173X165X1,5 C-4509 VP.	1
1.13	2162645	> Nut HEWI12X125 8 A2A VP.	1
1.15	2162644	> Washer B12.5A25C4 VP.	1
1.31		> COOLING CASASING IPH65/140-160 PAINTED	1
1.32	2163927	> Circlip D.35X1.5 VP.	1
1.33	2150975	> Retaining ring IPH VP.	1
1.34	2163928	> O-Ring D.50X3 DF801 VP.	1
1.35	2163930	> O-Ring D.4,9X1,9 DF1438 VP.	1
1.36	2163932	> Venting screw IPH VP.	1
1.4	2051141	INTERMEDIATE PIECE IPH-O KIT	1
1.12	2162632	> Flat gasket 173X165X1,5 C-4509 VP.	1
1.13	2162645	> Nut HEWI12X125 8 A2A VP.	1
1.15	2162644	> Washer B12.5A25C4 VP.	1
1.32	2163927	> Circlip D.35X1.5 VP.	1
1.33	2150975	> Retaining ring IPH VP.	1
1.34	2163928	> O-Ring D.50X3 DF801 VP.	1
1.41		> LANTERN P130X110-F196 (IPH20/65/80)PAINT	1

IPH-O65/160-1,1/4 (2121292)

Item	Article no.	Description	Quantity
1.42	2163933	> Gasket D.20X2 DF801 VP.	1
1.43	2163934	> Plug 1/8" GF290 FM VP.	1
2	2174744	Motor 1,1-4T24B5-90F13RU-A18x237-IE3 VP.	1
2		SPARE PARTS MOTOR:ON REQUEST	1
3	2051149	PUMP HOUSING IPH-O65/140-160 KIT	1
1.12	2162632	> Flat gasket 173X165X1,5 C-4509 VP.	1
3.1		> PUMP HOUSING IPH65/160 PAINTED	1
4	2106311	SCREW M8X30 ISO4762 12.9 (4 PIECES)	1
5	2123552	SCREW M8X40 ISO4762 8.8 (4 PIECES)	1
7	2112817	NUT M8-8 ISO4032 GEOMET (4 PIECES)	1
	2064424	COUNTER FLANGE IPH-O DN65 KIT	1
		> Flange EN1092-1/11C/DN65 PN25	1
	2163944	> Flat gasket D.109x95x1,5 C-4509 VP.	1

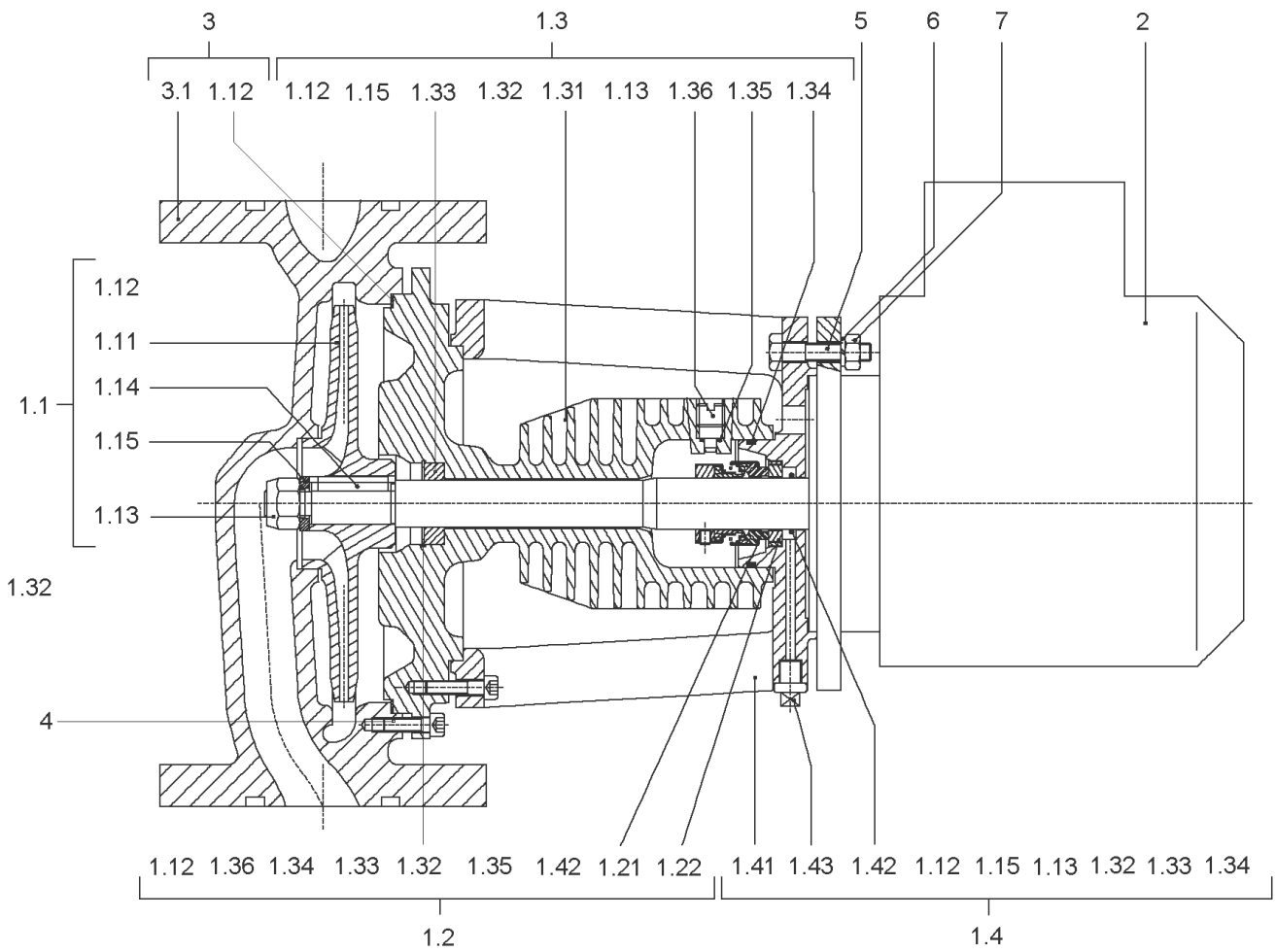


IPH-O80/140-1,1/4 (2121293)

Item	Article no.	Description	Quantity
1.1	2162648	Impeller IPH-O80/140 KIT	1
1.11		> IMPELLER IPH80/140(143) FGL BALANCED	1
1.12	2162632	> Flat gasket 173X165X1,5 C-4509 VP.	1
1.13	2162645	> Nut HEWI12X125 8 A2A VP.	1
1.14	2162646	> Key C 6X6X32 112 VP.	1
1.15	2162644	> Washer B12.5A25C4 VP.	1
1.2	4094357	MECHANICAL SEAL IPH-O KIT	1
1.12	2162632	> Flat gasket 173X165X1,5 C-4509 VP.	1
1.21		> ROTAT-RING-22.36.31NBR31.14.54-CYCLAM	1
1.22		> 22.37.6IN64.14INTERB.CYCLAM	1
1.32	2163927	> Circlip D.35X1.5 VP.	1
1.33	2150975	> Retaining ring IPH VP.	1
1.34	2163928	> O-Ring D.50X3 DF801 VP.	1
1.35	2163930	> O-Ring D.4,9X1,9 DF1438 VP.	1
1.36	2163932	> Venting screw IPH VP.	1
1.42	2163933	> Gasket D.20X2 DF801 VP.	1
1.3	2051139	COOLANT HOUSING IPH-O80/140-160 KIT	1
1.12	2162632	> Flat gasket 173X165X1,5 C-4509 VP.	1
1.13	2162645	> Nut HEWI12X125 8 A2A VP.	1
1.15	2162644	> Washer B12.5A25C4 VP.	1
1.31		> COOLING CASASING IPH80/140-160 PAINTED	1
1.32	2163927	> Circlip D.35X1.5 VP.	1
1.33	2150975	> Retaining ring IPH VP.	1
1.34	2163928	> O-Ring D.50X3 DF801 VP.	1
1.35	2163930	> O-Ring D.4,9X1,9 DF1438 VP.	1
1.36	2163932	> Venting screw IPH VP.	1
1.4	2051141	INTERMEDIATE PIECE IPH-O KIT	1
1.12	2162632	> Flat gasket 173X165X1,5 C-4509 VP.	1
1.13	2162645	> Nut HEWI12X125 8 A2A VP.	1
1.15	2162644	> Washer B12.5A25C4 VP.	1
1.32	2163927	> Circlip D.35X1.5 VP.	1
1.33	2150975	> Retaining ring IPH VP.	1
1.34	2163928	> O-Ring D.50X3 DF801 VP.	1
1.41		> LANTERN P130X110-F196 (IPH20/65/80)PAINT	1

IPH-O80/140-1,1/4 (2121293)

Item	Article no.	Description	Quantity
1.42	2163933	> Gasket D.20X2 DF801 VP.	1
1.43	2163934	> Plug 1/8" GF290 FM VP.	1
2	2174744	Motor 1,1-4T24B5-90F13RU-A18x237-IE3 VP.	1
2		SPARE PARTS MOTOR:ON REQUEST	1
3	2051142	PUMP HOUSING IPH-O80/140-160 KIT	1
1.12	2162632	> Flat gasket 173X165X1,5 C-4509 VP.	1
3.1		> PUMP HOUSING IPH80/160 PAINTED	1
4	2106311	SCREW M8X30 ISO4762 12.9 (4 PIECES)	1
5	2123552	SCREW M8X40 ISO4762 8.8 (4 PIECES)	1
7	2112817	NUT M8-8 ISO4032 GEOMET (4 PIECES)	1
	2064426	COUNTER FLANGE IPH-O DN80 KIT	1
		> Flange EN1092-1/11C/DN80 PN25	1
	2163945	> Flat gasket D.120x106x1,5 C-4509 VP.	1

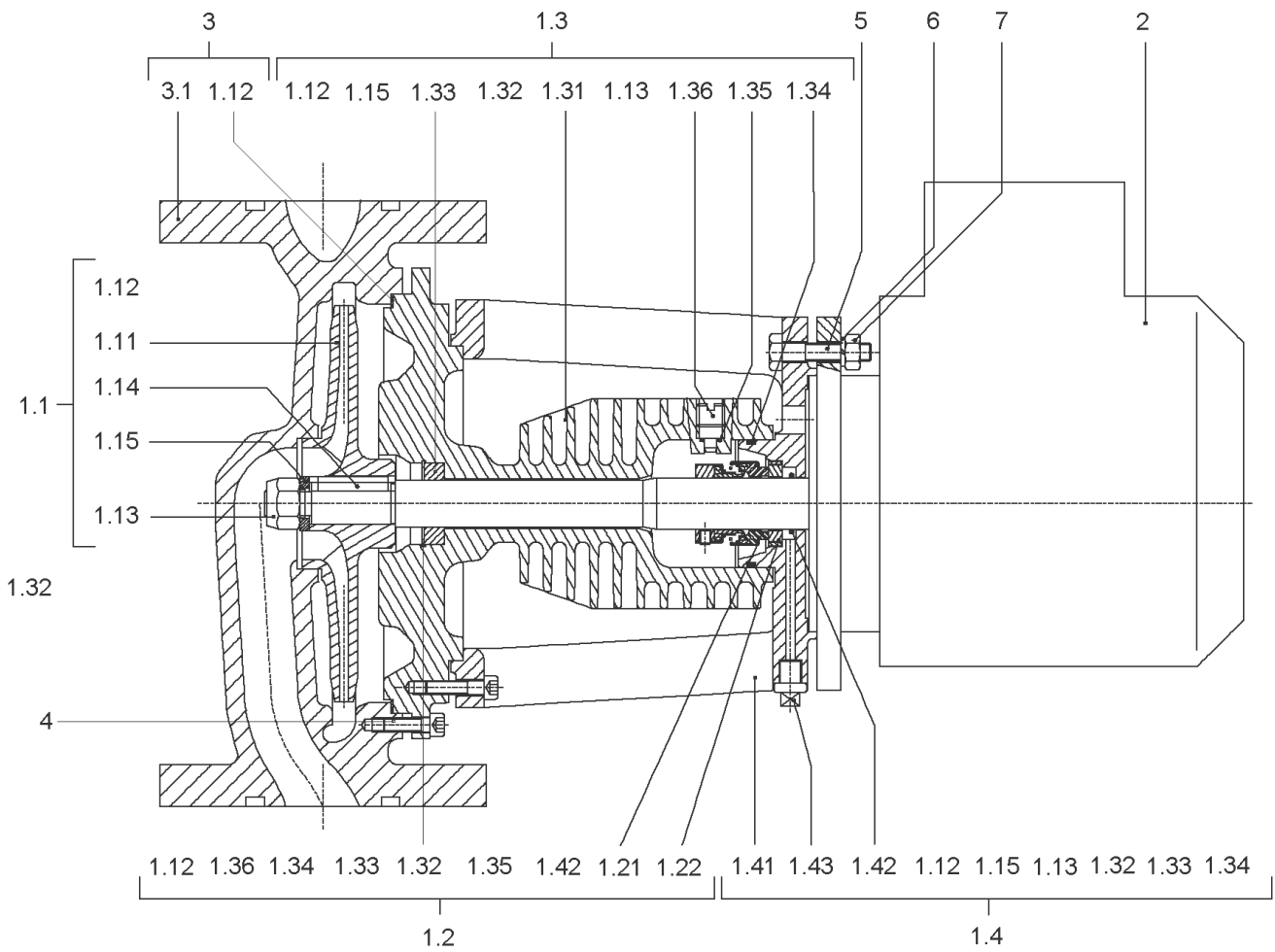


IPH-O80/160-1,1/4 (2121294)

Item	Article no.	Description	Quantity
1.1	2051143	IMPELLER IPH-O80/160 KIT	1
1.11		> IMPELLER IPH80/160(159) FGL BALANCED	1
1.12	2162632	> Flat gasket 173X165X1,5 C-4509 VP.	1
1.13	2162645	> Nut HEWI12X125 8 A2A VP.	1
1.14	2162646	> Key C 6X6X32 112 VP.	1
1.15	2162644	> Washer B12.5A25C4 VP.	1
1.2	4094357	MECHANICAL SEAL IPH-O KIT	1
1.12	2162632	> Flat gasket 173X165X1,5 C-4509 VP.	1
1.21		> ROTAT-RING-22.36.31NBR31.14.54-CYCLAM	1
1.22		> 22.37.6IN64.14INTERB.CYCLAM	1
1.32	2163927	> Circlip D.35X1.5 VP.	1
1.33	2150975	> Retaining ring IPH VP.	1
1.34	2163928	> O-Ring D.50X3 DF801 VP.	1
1.35	2163930	> O-Ring D.4,9X1,9 DF1438 VP.	1
1.36	2163932	> Venting screw IPH VP.	1
1.42	2163933	> Gasket D.20X2 DF801 VP.	1
1.3	2051139	COOLANT HOUSING IPH-O80/140-160 KIT	1
1.12	2162632	> Flat gasket 173X165X1,5 C-4509 VP.	1
1.13	2162645	> Nut HEWI12X125 8 A2A VP.	1
1.15	2162644	> Washer B12.5A25C4 VP.	1
1.31		> COOLING CASASING IPH80/140-160 PAINTED	1
1.32	2163927	> Circlip D.35X1.5 VP.	1
1.33	2150975	> Retaining ring IPH VP.	1
1.34	2163928	> O-Ring D.50X3 DF801 VP.	1
1.35	2163930	> O-Ring D.4,9X1,9 DF1438 VP.	1
1.36	2163932	> Venting screw IPH VP.	1
1.4	2051141	INTERMEDIATE PIECE IPH-O KIT	1
1.12	2162632	> Flat gasket 173X165X1,5 C-4509 VP.	1
1.13	2162645	> Nut HEWI12X125 8 A2A VP.	1
1.15	2162644	> Washer B12.5A25C4 VP.	1
1.32	2163927	> Circlip D.35X1.5 VP.	1
1.33	2150975	> Retaining ring IPH VP.	1
1.34	2163928	> O-Ring D.50X3 DF801 VP.	1
1.41		> LANTERN P130X110-F196 (IPH20/65/80)PAINT	1

IPH-O80/160-1,1/4 (2121294)

Item	Article no.	Description	Quantity
1.42	2163933	> Gasket D.20X2 DF801 VP.	1
1.43	2163934	> Plug 1/8" GF290 FM VP.	1
2	2174744	Motor 1,1-4T24B5-90F13RU-A18x237-IE3 VP.	1
2		SPARE PARTS MOTOR:ON REQUEST	1
3	2051142	PUMP HOUSING IPH-O80/140-160 KIT	1
1.12	2162632	> Flat gasket 173X165X1,5 C-4509 VP.	1
3.1		> PUMP HOUSING IPH80/160 PAINTED	1
4	2106311	SCREW M8X30 ISO4762 12.9 (4 PIECES)	1
5	2123552	SCREW M8X40 ISO4762 8.8 (4 PIECES)	1
7	2112817	NUT M8-8 ISO4032 GEOMET (4 PIECES)	1
	2064426	COUNTER FLANGE IPH-O DN80 KIT	1
		> Flange EN1092-1/11C/DN80 PN25	1
	2163945	> Flat gasket D.120x106x1,5 C-4509 VP.	1

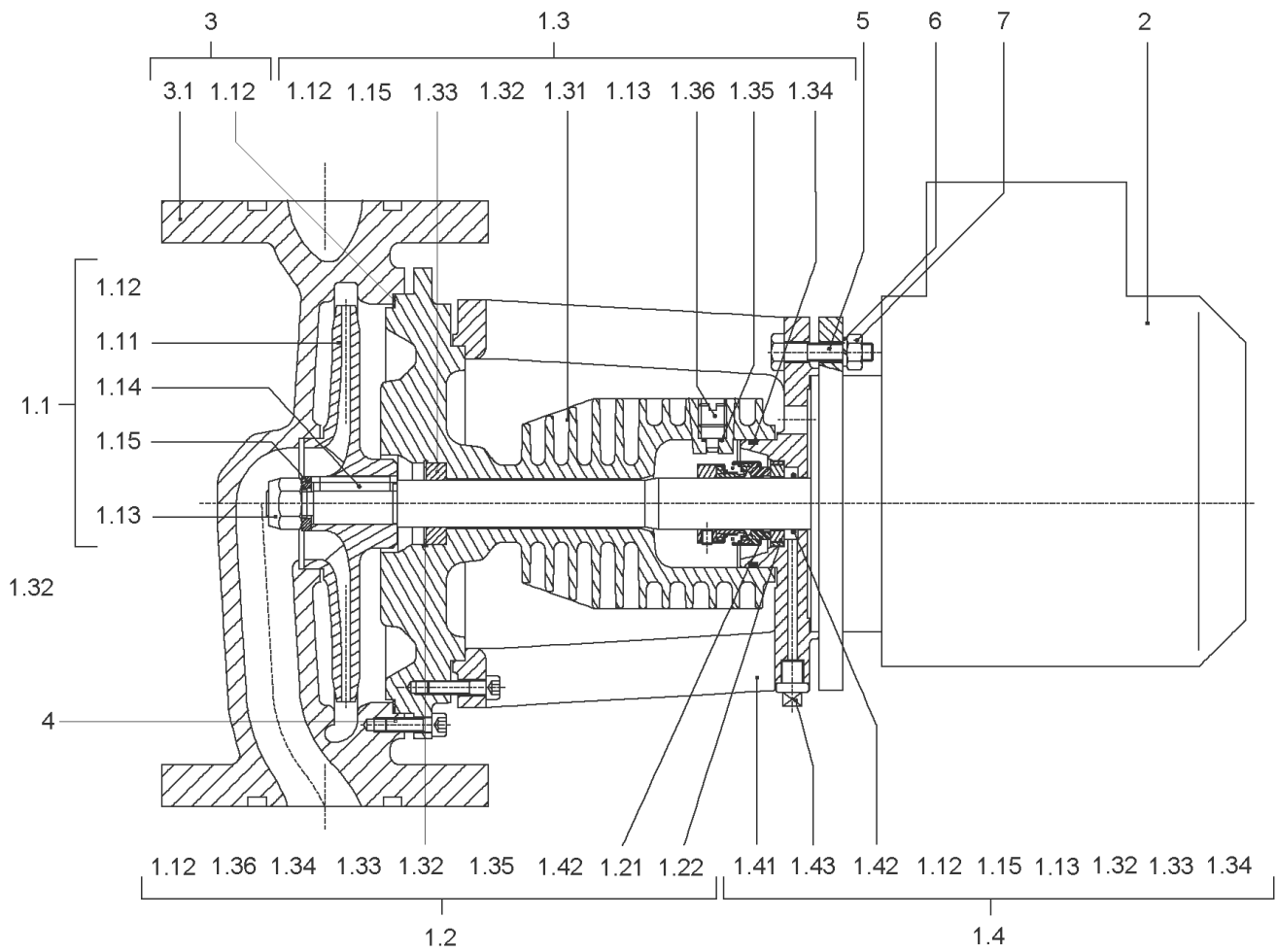


IPH-O20/160-1,1/2 (2121295)

Item	Article no.	Description	Quantity
1.1	2051166	IMPELLER IPH-O20/160 KIT	1
1.11		> IMPELLER IPH20/160(159) FGL BALANCED	1
1.12	2162632	> Flat gasket 173X165X1,5 C-4509 VP.	1
1.13	2162638	> Screw M8x13,5 Left 1.1178 VP.	1
1.14	2162639	> Woodruff key 4X6,5X16 112 VP.	1
1.2	4094357	MECHANICAL SEAL IPH-O KIT	1
1.12	2162632	> Flat gasket 173X165X1,5 C-4509 VP.	1
1.21		> ROTAT-RING-22.36.31NBR31.14.54-CYCLAM	1
1.22		> 22.37.6IN64.14INTERB.CYCLAM	1
1.32	2163927	> Circlip D.35X1.5 VP.	1
1.33	2150975	> Retaining ring IPH VP.	1
1.34	2163928	> O-Ring D.50X3 DF801 VP.	1
1.35	2163930	> O-Ring D.4,9X1,9 DF1438 VP.	1
1.36	2163932	> Venting screw IPH VP.	1
1.42	2163933	> Gasket D.20X2 DF801 VP.	1
1.3	2051167	COOLANT HOUSING IPH-O20/160 KIT	1
1.12	2162632	> Flat gasket 173X165X1,5 C-4509 VP.	1
1.13	2162638	> Screw M8x13,5 Left 1.1178 VP.	1
1.31		> COOLING CAS.IPH20/160+65-80/110-125PAINT	1
1.32	2163927	> Circlip D.35X1.5 VP.	1
1.33	2150975	> Retaining ring IPH VP.	1
1.34	2163928	> O-Ring D.50X3 DF801 VP.	1
1.35	2163930	> O-Ring D.4,9X1,9 DF1438 VP.	1
1.36	2163932	> Venting screw IPH VP.	1
1.4	2051168	INTERMEDIATE PIECE IPH-O20/160 KIT	1
1.12	2162632	> Flat gasket 173X165X1,5 C-4509 VP.	1
1.13	2162638	> Screw M8x13,5 Left 1.1178 VP.	1
1.32	2163927	> Circlip D.35X1.5 VP.	1
1.33	2150975	> Retaining ring IPH VP.	1
1.34	2163928	> O-Ring D.50X3 DF801 VP.	1
1.41		> LANTERN P130X110-F196 (IPH20/65/80)PAINT	1
1.42	2163933	> Gasket D.20X2 DF801 VP.	1
1.43	2163934	> Plug 1/8" GF290 FM VP.	1
2	2174742	Motor 1,1-2T24B5-80F13RU-A14x198-IE3 VP.	1

IPH-O20/160-1,1/2 (2121295)

Item	Article no.	Description	Quantity
2		SPARE PARTS MOTOR:ON REQUEST	1
3	2051165	PUMP HOUSING IPH-O20/160 KIT	1
1.12	2162632	> Flat gasket 173X165X1,5 C-4509 VP.	1
3.1		> PUMP HOUSING IPH20/160 PAINTED	1
4	2106311	SCREW M8X30 ISO4762 12.9 (4 PIECES)	1
5	2123552	SCREW M8X40 ISO4762 8.8 (4 PIECES)	1
7	2112817	NUT M8-8 ISO4032 GEOMET (4 PIECES)	1
	2064420	COUNTER FLANGE IPH-O DN20 KIT	1
		> Flange EN1092-1/11C/DN20 PN25	1
	2163942	> Flat gasket D.50x36x1,5 C-4509 VP.	1

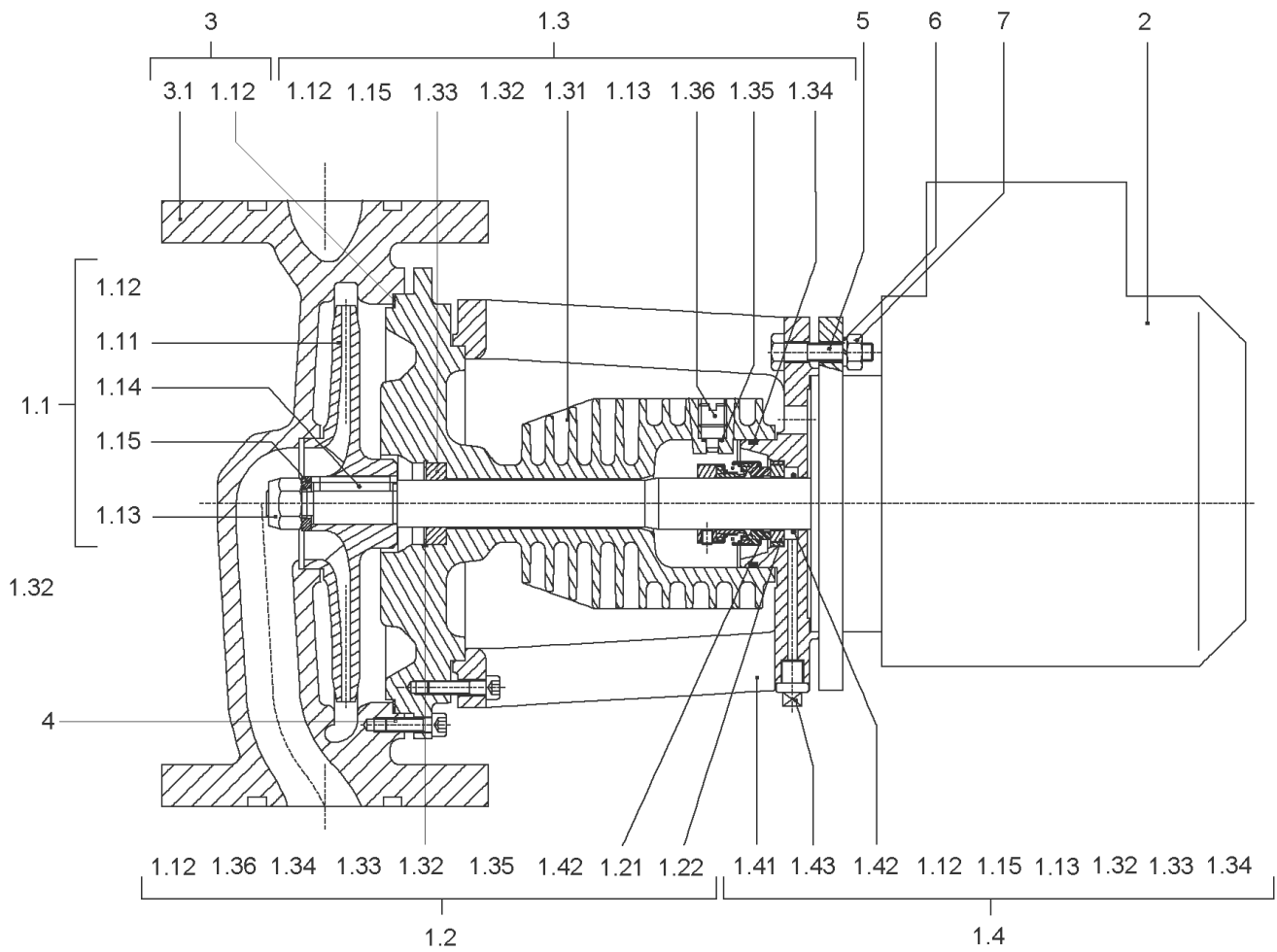


IPH-O32/125-0,75/2 (2121296)

Item	Article no.	Description	Quantity
1.1	2051162	IMPELLER IPH-O32/125 KIT	1
1.11		> IMPELLER IPH32/125(125) FGL BALANCED	1
1.12	2162633	> Flat gasket 135X126X1,5 C-4509 VP.	1
1.13	2162642	> Nut M8X1,25 ISO7042 VP.	1
1.14	2162639	> Woodruff key 4X6,5X16 112 VP.	1
1.2	4094356	MECHANICAL SEAL IPH-O-32/125 KIT	1
1.12	2162633	> Flat gasket 135X126X1,5 C-4509 VP.	1
1.21		> ROTAT-RING-22.36.31NBR31.14.54-CYCLAM	1
1.22		> 22.37.6IN64.14INTERB.CYCLAM	1
1.32	2163927	> Circlip D.35X1.5 VP.	1
1.33	2150975	> Retaining ring IPH VP.	1
1.34	2163928	> O-Ring D.50X3 DF801 VP.	1
1.35	2163930	> O-Ring D.4,9X1,9 DF1438 VP.	1
1.36	2163932	> Venting screw IPH VP.	1
1.42	2163933	> Gasket D.20X2 DF801 VP.	1
1.3	2051163	COOLANT HOUSING IPH-O32/125 KIT	1
1.12	2162633	> Flat gasket 135X126X1,5 C-4509 VP.	1
1.13	2162642	> Nut M8X1,25 ISO7042 VP.	1
1.31		> COOLING CASASING IPH32/125 PAINTED	1
1.32	2163927	> Circlip D.35X1.5 VP.	1
1.33	2150975	> Retaining ring IPH VP.	1
1.34	2163928	> O-Ring D.50X3 DF801 VP.	1
1.35	2163930	> O-Ring D.4,9X1,9 DF1438 VP.	1
1.36	2163932	> Venting screw IPH VP.	1
1.4	2051164	INTERMEDIATE PIECE IPH-O32/125 KIT	1
1.12	2162633	> Flat gasket 135X126X1,5 C-4509 VP.	1
1.13	2162642	> Nut M8X1,25 ISO7042 VP.	1
1.32	2163927	> Circlip D.35X1.5 VP.	1
1.33	2150975	> Retaining ring IPH VP.	1
1.34	2163928	> O-Ring D.50X3 DF801 VP.	1
1.41		> LANTERN P130X110-F158 (IPH32) PAINTED	1
1.42	2163933	> Gasket D.20X2 DF801 VP.	1
1.43	2163934	> Plug 1/8" GF290 FM VP.	1
2	2168865	Motor 0,75-2T24B5-80F13RU-A14X200-IE3 VP	1

IPH-O32/125-0,75/2 (2121296)

Item	Article no.	Description	Quantity
2		SPARE PARTS MOTOR:ON REQUEST	1
3	2051161	PUMP HOUSING IPH-O32/125 KIT	1
1.12	2162633	> Flat gasket 135X126X1,5 C-4509 VP.	1
3.1		> PUMP HOUSING IPH32/125 PAINTED	1
4	2106310	SCREW M6x25 ISO4762 12.9 (4 PIECES)	1
5	2123552	SCREW M8X40 ISO4762 8.8 (4 PIECES)	1
7	2112817	NUT M8-8 ISO4032 GEOMET (4 PIECES)	1
	2064422	COUNTER FLANGE IPH-O DN32 KIT	1
		> Flange EN1092-1/11C/DN32 PN25	1
	2163943	> Flat gasket D.65x51x1,5 C-4509 VP.	1

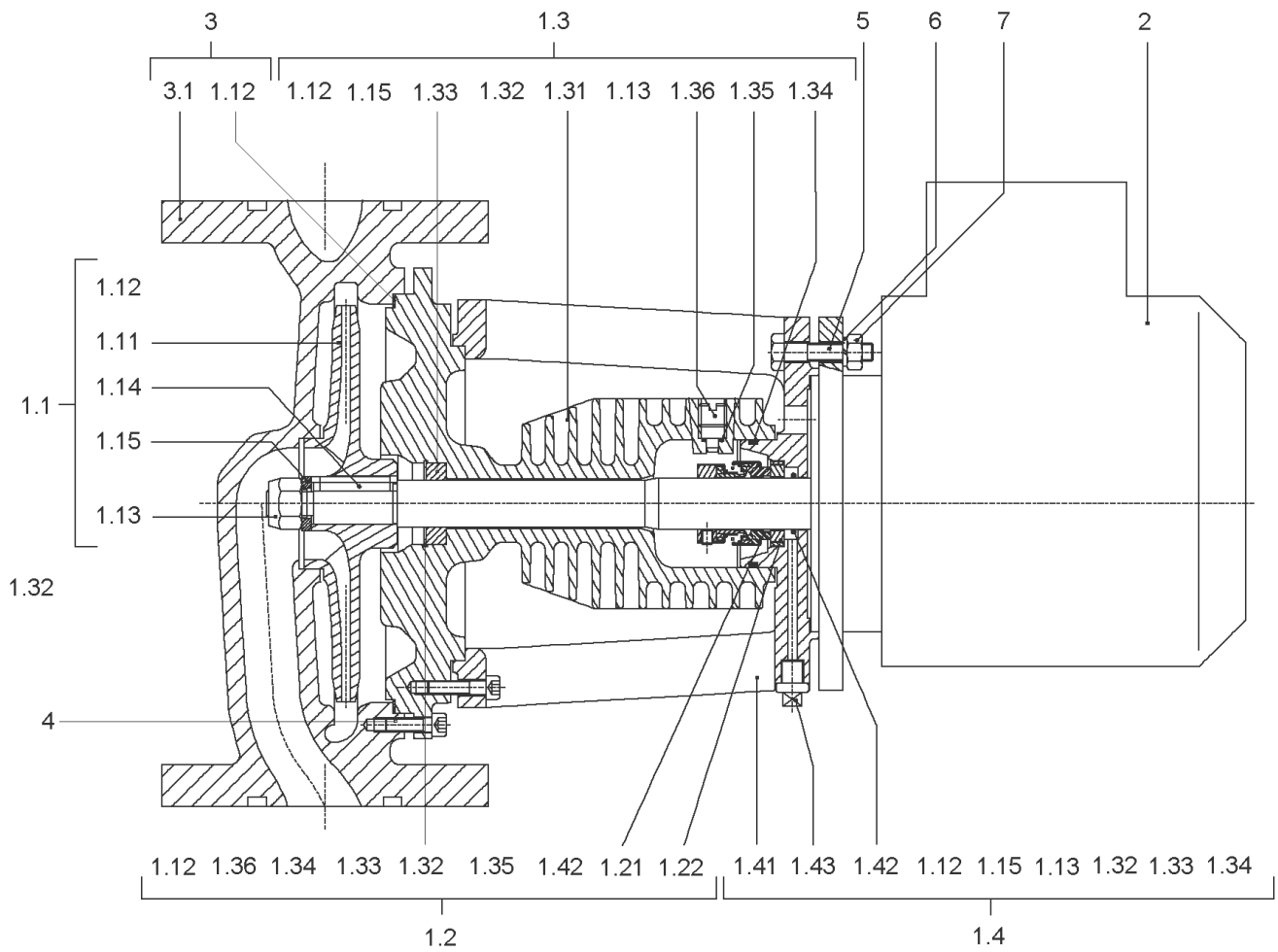


IPH-O32/170-2,2/2 (2121297)

Item	Article no.	Description	Quantity
1.1	2162647	Impeller IPH-O32/170 KIT	1
1.11		> IMPELLER IPH32/170(164) FGL BALANCED	1
1.12	2162634	> Flat gasket 180X172X1,5 C-4509 VP.	1
1.13	2162645	> Nut HEWI12X125 8 A2A VP.	1
1.14	2162646	> Key C 6X6X32 112 VP.	1
1.15	2162644	> Washer B12.5A25C4 VP.	1
1.2	4094358	MECHANICAL SEAL IPH-O-32/170 KIT	1
1.12	2162634	> Flat gasket 180X172X1,5 C-4509 VP.	1
1.21		> ROTAT-RING-22.36.31NBR31.14.54-CYCLAM	1
1.22		> 22.37.6IN64.14INTERB.CYCLAM	1
1.32	2163927	> Circlip D.35X1.5 VP.	1
1.33	2150975	> Retaining ring IPH VP.	1
1.34	2163928	> O-Ring D.50X3 DF801 VP.	1
1.35	2163930	> O-Ring D.4,9X1,9 DF1438 VP.	1
1.36	2163932	> Venting screw IPH VP.	1
1.42	2163933	> Gasket D.20X2 DF801 VP.	1
1.3	2051158	COOLANT HOUSING IPH-O32/170 KIT	1
1.12	2162634	> Flat gasket 180X172X1,5 C-4509 VP.	1
1.13	2162645	> Nut HEWI12X125 8 A2A VP.	1
1.15	2162644	> Washer B12.5A25C4 VP.	1
1.31		> COOLING CASASING IPH32/170 PAINTED	1
1.32	2163927	> Circlip D.35X1.5 VP.	1
1.33	2150975	> Retaining ring IPH VP.	1
1.34	2163928	> O-Ring D.50X3 DF801 VP.	1
1.35	2163930	> O-Ring D.4,9X1,9 DF1438 VP.	1
1.36	2163932	> Venting screw IPH VP.	1
1.4	2051159	INTERMEDIATE PIECE IPH-O32/170 KIT	1
1.12	2162634	> Flat gasket 180X172X1,5 C-4509 VP.	1
1.13	2162645	> Nut HEWI12X125 8 A2A VP.	1
1.15	2162644	> Washer B12.5A25C4 VP.	1
1.32	2163927	> Circlip D.35X1.5 VP.	1
1.33	2150975	> Retaining ring IPH VP.	1
1.34	2163928	> O-Ring D.50X3 DF801 VP.	1
1.41		> LANTERN P130X110-F158 (IPH32) PAINTED	1

IPH-O32/170-2,2/2 (2121297)

Item	Article no.	Description	Quantity
1.42	2163933	> Gasket D.20X2 DF801 VP.	1
1.43	2163934	> Plug 1/8" GF290 FM VP.	1
2	2174746	Motor 2,2-2T24B5-90F13RU-A18x237-IE3 VP.	1
2		SPARE PARTS MOTOR:ON REQUEST	1
3	2051156	PUMP HOUSING IPH-O32/170 KIT	1
1.12	2162634	> Flat gasket 180X172X1,5 C-4509 VP.	1
3.1		> PUMP HOUSING IPH32/170 PAINTED	1
4	2106310	SCREW M6x25 ISO4762 12.9 (4 PIECES)	1
5	2123552	SCREW M8X40 ISO4762 8.8 (4 PIECES)	1
7	2112817	NUT M8-8 ISO4032 GEOMET (4 PIECES)	1
	2064422	COUNTER FLANGE IPH-O DN32 KIT	1
		> Flange EN1092-1/11C/DN32 PN25	1
	2163943	> Flat gasket D.65x51x1,5 C-4509 VP.	1

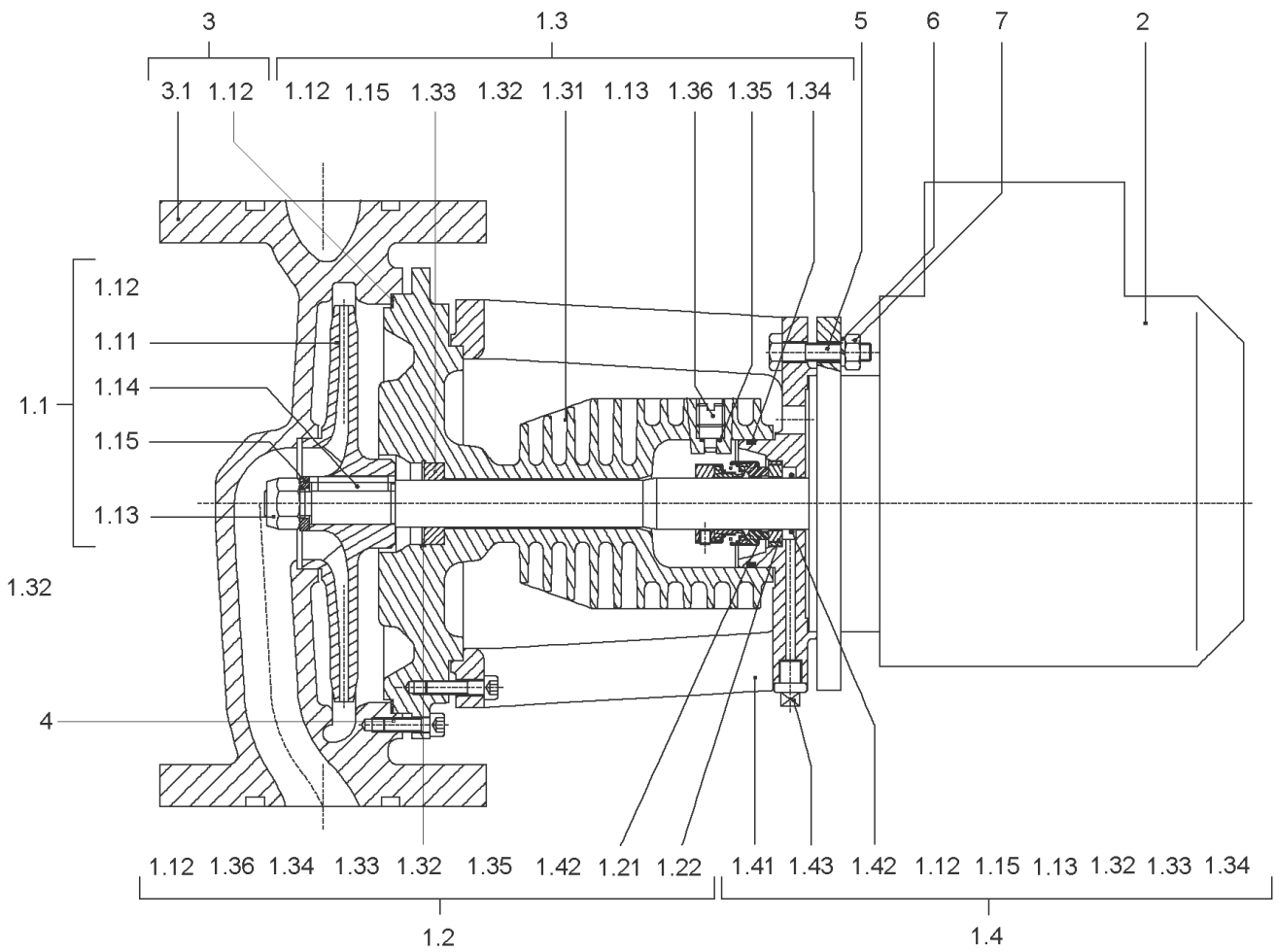


IPH-O65/110-2,2/2 (2121298)

Item	Article no.	Description	Quantity
1.1	2051155	IMPELLER IPH-O65/110 KIT	1
1.11		> IMPELLER IPH65/110(110) FGL BALANCED	1
1.12	2162632	> Flat gasket 173X165X1,5 C-4509 VP.	1
1.13	2162645	> Nut HEWI12X125 8 A2A VP.	1
1.14	2162646	> Key C 6X6X32 112 VP.	1
1.15	2162644	> Washer B12.5A25C4 VP.	1
1.2	4094357	MECHANICAL SEAL IPH-O KIT	1
1.12	2162632	> Flat gasket 173X165X1,5 C-4509 VP.	1
1.21		> ROTAT-RING-22.36.31NBR31.14.54-CYCLAM	1
1.22		> 22.37.6IN64.14INTERB.CYCLAM	1
1.32	2163927	> Circlip D.35X1.5 VP.	1
1.33	2150975	> Retaining ring IPH VP.	1
1.34	2163928	> O-Ring D.50X3 DF801 VP.	1
1.35	2163930	> O-Ring D.4,9X1,9 DF1438 VP.	1
1.36	2163932	> Venting screw IPH VP.	1
1.42	2163933	> Gasket D.20X2 DF801 VP.	1
1.3	2051148	COOLANT HOUSING IPH-O65-80/110-125 KIT	1
1.12	2162632	> Flat gasket 173X165X1,5 C-4509 VP.	1
1.13	2162645	> Nut HEWI12X125 8 A2A VP.	1
1.15	2162644	> Washer B12.5A25C4 VP.	1
1.31		> COOLING CAS.IPH20/160+65-80/110-125PAINT	1
1.32	2163927	> Circlip D.35X1.5 VP.	1
1.33	2150975	> Retaining ring IPH VP.	1
1.34	2163928	> O-Ring D.50X3 DF801 VP.	1
1.35	2163930	> O-Ring D.4,9X1,9 DF1438 VP.	1
1.36	2163932	> Venting screw IPH VP.	1
1.4	2051141	INTERMEDIATE PIECE IPH-O KIT	1
1.12	2162632	> Flat gasket 173X165X1,5 C-4509 VP.	1
1.13	2162645	> Nut HEWI12X125 8 A2A VP.	1
1.15	2162644	> Washer B12.5A25C4 VP.	1
1.32	2163927	> Circlip D.35X1.5 VP.	1
1.33	2150975	> Retaining ring IPH VP.	1
1.34	2163928	> O-Ring D.50X3 DF801 VP.	1
1.41		> LANTERN P130X110-F196 (IPH20/65/80)PAINT	1

IPH-O65/110-2,2/2 (2121298)

Item	Article no.	Description	Quantity
1.42	2163933	> Gasket D.20X2 DF801 VP.	1
1.43	2163934	> Plug 1/8" GF290 FM VP.	1
2	2174746	Motor 2,2-2T24B5-90F13RU-A18x237-IE3 VP.	1
2		SPARE PARTS MOTOR:ON REQUEST	1
3	2051153	PH.IPH-O65/125-1,1+/110-125-2,2 KIT	1
1.12	2162632	> Flat gasket 173X165X1,5 C-4509 VP.	1
3.1		> PUMP HOUSING IPH65/125 PAINTED	1
4	2106311	SCREW M8X30 ISO4762 12.9 (4 PIECES)	1
5	2123552	SCREW M8X40 ISO4762 8.8 (4 PIECES)	1
7	2112817	NUT M8-8 ISO4032 GEOMET (4 PIECES)	1
	2064424	COUNTER FLANGE IPH-O DN65 KIT	1
		> Flange EN1092-1/11C/DN65 PN25	1
	2163944	> Flat gasket D.109x95x1,5 C-4509 VP.	1

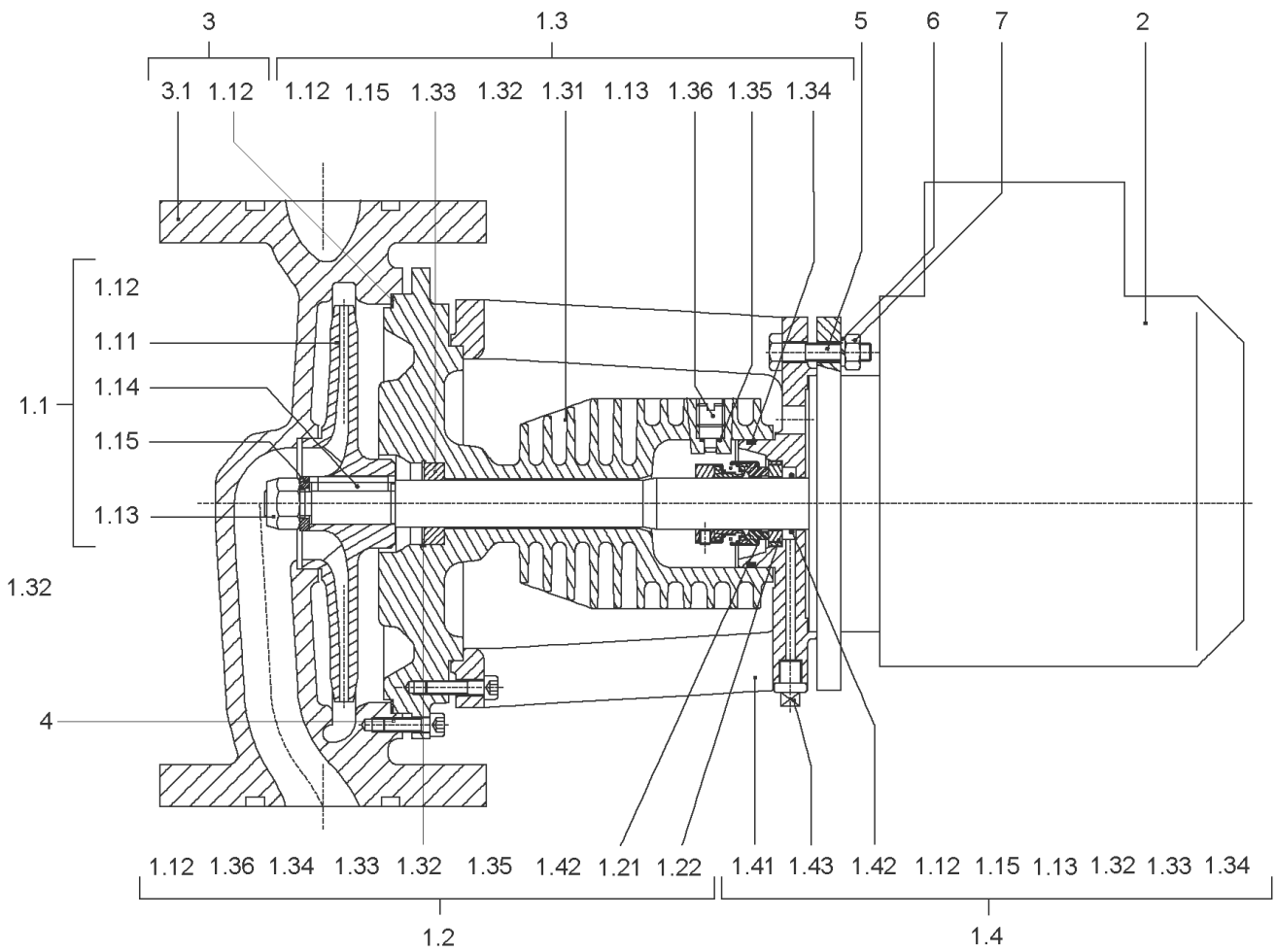


IPH-O65/125-2,2/2 (2121299)

Item	Article no.	Description	Quantity
1.1	2051154	IMPELLER IPH-O65/125 KIT	1
1.11		> IMPELLER IPH65/125(124) FGL BALANCED	1
1.12	2162632	> Flat gasket 173X165X1,5 C-4509 VP.	1
1.13	2162645	> Nut HEWI12X125 8 A2A VP.	1
1.14	2162646	> Key C 6X6X32 112 VP.	1
1.15	2162644	> Washer B12.5A25C4 VP.	1
1.2	4094357	MECHANICAL SEAL IPH-O KIT	1
1.12	2162632	> Flat gasket 173X165X1,5 C-4509 VP.	1
1.21		> ROTAT-RING-22.36.31NBR31.14.54-CYCLAM	1
1.22		> 22.37.6IN64.14INTERB.CYCLAM	1
1.32	2163927	> Circlip D.35X1.5 VP.	1
1.33	2150975	> Retaining ring IPH VP.	1
1.34	2163928	> O-Ring D.50X3 DF801 VP.	1
1.35	2163930	> O-Ring D.4,9X1,9 DF1438 VP.	1
1.36	2163932	> Venting screw IPH VP.	1
1.42	2163933	> Gasket D.20X2 DF801 VP.	1
1.3	2051148	COOLANT HOUSING IPH-O65-80/110-125 KIT	1
1.12	2162632	> Flat gasket 173X165X1,5 C-4509 VP.	1
1.13	2162645	> Nut HEWI12X125 8 A2A VP.	1
1.15	2162644	> Washer B12.5A25C4 VP.	1
1.31		> COOLING CAS.IPH20/160+65-80/110-125PAINT	1
1.32	2163927	> Circlip D.35X1.5 VP.	1
1.33	2150975	> Retaining ring IPH VP.	1
1.34	2163928	> O-Ring D.50X3 DF801 VP.	1
1.35	2163930	> O-Ring D.4,9X1,9 DF1438 VP.	1
1.36	2163932	> Venting screw IPH VP.	1
1.4	2051141	INTERMEDIATE PIECE IPH-O KIT	1
1.12	2162632	> Flat gasket 173X165X1,5 C-4509 VP.	1
1.13	2162645	> Nut HEWI12X125 8 A2A VP.	1
1.15	2162644	> Washer B12.5A25C4 VP.	1
1.32	2163927	> Circlip D.35X1.5 VP.	1
1.33	2150975	> Retaining ring IPH VP.	1
1.34	2163928	> O-Ring D.50X3 DF801 VP.	1
1.41		> LANTERN P130X110-F196 (IPH20/65/80)PAINT	1

IPH-O65/125-2,2/2 (2121299)

Item	Article no.	Description	Quantity
1.42	2163933	> Gasket D.20X2 DF801 VP.	1
1.43	2163934	> Plug 1/8" GF290 FM VP.	1
2	2174746	Motor 2,2-2T24B5-90F13RU-A18x237-IE3 VP.	1
2		SPARE PARTS MOTOR:ON REQUEST	1
3	2051153	PH.IPH-O65/125-1,1+/110-125-2,2 KIT	1
1.12	2162632	> Flat gasket 173X165X1,5 C-4509 VP.	1
3.1		> PUMP HOUSING IPH65/125 PAINTED	1
4	2106311	SCREW M8X30 ISO4762 12.9 (4 PIECES)	1
5	2123552	SCREW M8X40 ISO4762 8.8 (4 PIECES)	1
7	2112817	NUT M8-8 ISO4032 GEOMET (4 PIECES)	1
	2064424	COUNTER FLANGE IPH-O DN65 KIT	1
		> Flange EN1092-1/11C/DN65 PN25	1
	2163944	> Flat gasket D.109x95x1,5 C-4509 VP.	1

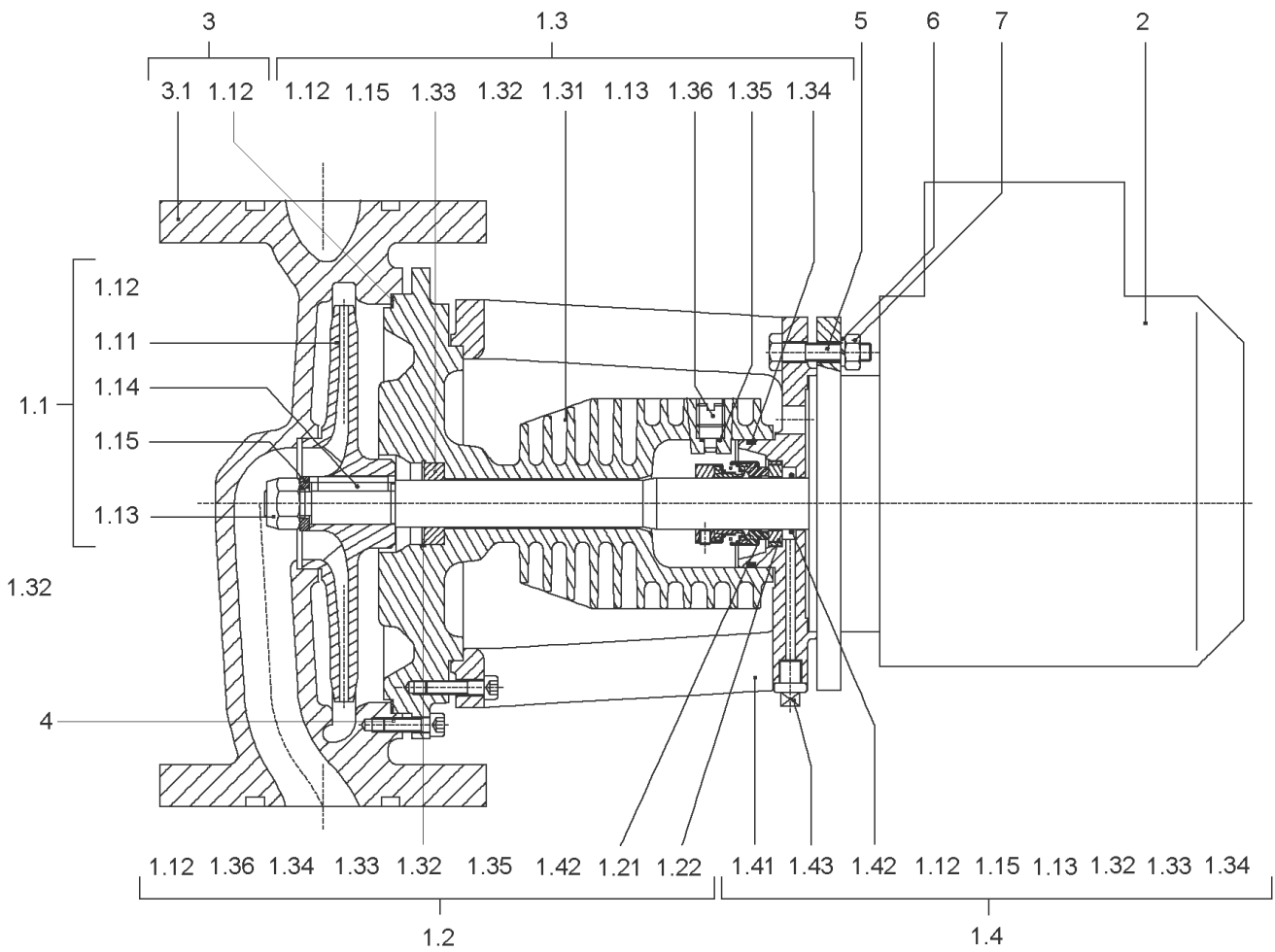


IPH-O65/140-4/2 (2121300)

Item	Article no.	Description	Quantity
1.1	2051152	IMPELLER IPH-O65/140/1,1+4KW KIT	1
1.11		> IMPELLER IPH65/140(145) FGL BALANCED	1
1.12	2162632	> Flat gasket 173X165X1,5 C-4509 VP.	1
1.13	2162645	> Nut HEWI12X125 8 A2A VP.	1
1.14	2162646	> Key C 6X6X32 112 VP.	1
1.15	2162644	> Washer B12.5A25C4 VP.	1
1.2	4094357	MECHANICAL SEAL IPH-O KIT	1
1.12	2162632	> Flat gasket 173X165X1,5 C-4509 VP.	1
1.21		> ROTAT-RING-22.36.31NBR31.14.54-CYCLAM	1
1.22		> 22.37.6IN64.14INTERB.CYCLAM	1
1.32	2163927	> Circlip D.35X1.5 VP.	1
1.33	2150975	> Retaining ring IPH VP.	1
1.34	2163928	> O-Ring D.50X3 DF801 VP.	1
1.35	2163930	> O-Ring D.4,9X1,9 DF1438 VP.	1
1.36	2163932	> Venting screw IPH VP.	1
1.42	2163933	> Gasket D.20X2 DF801 VP.	1
1.3	2051151	COOLANT HOUSING IPH-O65/140-160 KIT	1
1.12	2162632	> Flat gasket 173X165X1,5 C-4509 VP.	1
1.13	2162645	> Nut HEWI12X125 8 A2A VP.	1
1.15	2162644	> Washer B12.5A25C4 VP.	1
1.31		> COOLING CASASING IPH65/140-160 PAINTED	1
1.32	2163927	> Circlip D.35X1.5 VP.	1
1.33	2150975	> Retaining ring IPH VP.	1
1.34	2163928	> O-Ring D.50X3 DF801 VP.	1
1.35	2163930	> O-Ring D.4,9X1,9 DF1438 VP.	1
1.36	2163932	> Venting screw IPH VP.	1
1.4	2051145	INTERMED.PIECE IPH-O65-80 4KW KIT	1
1.12	2162632	> Flat gasket 173X165X1,5 C-4509 VP.	1
1.13	2162645	> Nut HEWI12X125 8 A2A VP.	1
1.15	2162644	> Washer B12.5A25C4 VP.	1
1.32	2163927	> Circlip D.35X1.5 VP.	1
1.33	2150975	> Retaining ring IPH VP.	1
1.34	2163928	> O-Ring D.50X3 DF801 VP.	1
1.41		> LANTERN P215X180-F196 (IPH65/80) PAINTED	1

IPH-O65/140-4/2 (2121300)

Item	Article no.	Description	Quantity
1.42	2163933	> Gasket D.20X2 DF801 VP.	1
1.43	2163936	> Plug 1/4" VP.	1
2	2174748	Motor 4-2T24B5-112F21RU-A18x247-IE3 VP.	1
2		SPARE PARTS MOTOR:ON REQUEST	1
3	2051149	PUMP HOUSING IPH-O65/140-160 KIT	1
1.12	2162632	> Flat gasket 173X165X1,5 C-4509 VP.	1
3.1		> PUMP HOUSING IPH65/160 PAINTED	1
4	2106311	SCREW M8X30 ISO4762 12.9 (4 PIECES)	1
5	2123555	SCREW M12x50 ISO4762 8.8 (4 PIECES)	1
6	2123557	WASHER CS-12.4-24-1.6-NFE25 (4 PIECES)	1
7	2123556	NUT M12-8 ISO4032 GEOMET (4 PIECES)	1
	2064424	COUNTER FLANGE IPH-O DN65 KIT	1
		> Flange EN1092-1/11C/DN65 PN25	1
	2163944	> Flat gasket D.109x95x1,5 C-4509 VP.	1

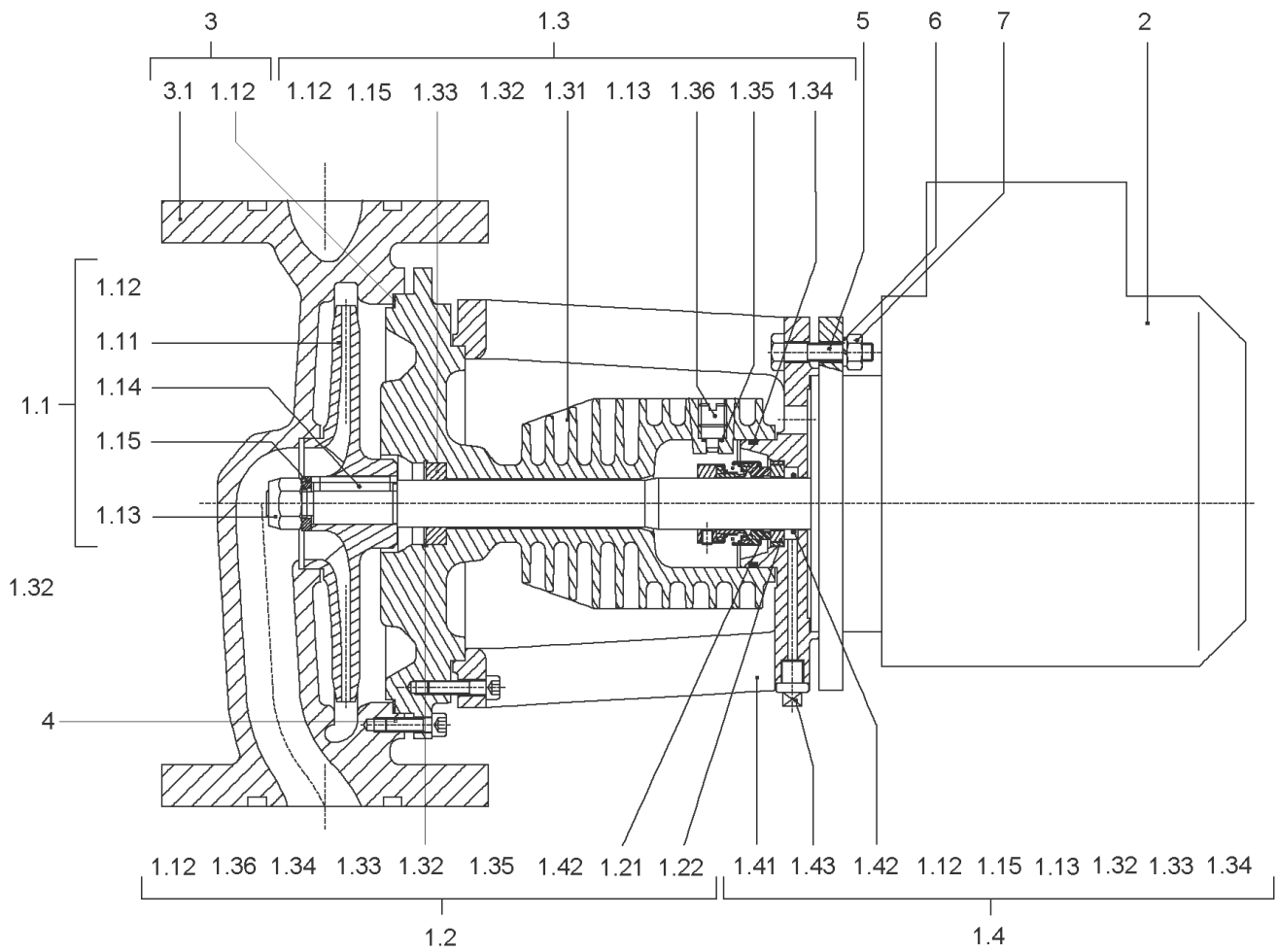


IPH-O65/160-4/2 (2121301)

Item	Article no.	Description	Quantity
1.1	2051150	IMPELLER IPH-O65/160 KIT	1
1.11		> IMPELLER IPH65/160(159) FGL BALANCED	1
1.12	2162632	> Flat gasket 173X165X1,5 C-4509 VP.	1
1.13	2162645	> Nut HEWI12X125 8 A2A VP.	1
1.14	2162646	> Key C 6X6X32 112 VP.	1
1.15	2162644	> Washer B12.5A25C4 VP.	1
1.2	4094357	MECHANICAL SEAL IPH-O KIT	1
1.12	2162632	> Flat gasket 173X165X1,5 C-4509 VP.	1
1.21		> ROTAT-RING-22.36.31NBR31.14.54-CYCLAM	1
1.22		> 22.37.6IN64.14INTERB.CYCLAM	1
1.32	2163927	> Circlip D.35X1.5 VP.	1
1.33	2150975	> Retaining ring IPH VP.	1
1.34	2163928	> O-Ring D.50X3 DF801 VP.	1
1.35	2163930	> O-Ring D.4,9X1,9 DF1438 VP.	1
1.36	2163932	> Venting screw IPH VP.	1
1.42	2163933	> Gasket D.20X2 DF801 VP.	1
1.3	2051151	COOLANT HOUSING IPH-O65/140-160 KIT	1
1.12	2162632	> Flat gasket 173X165X1,5 C-4509 VP.	1
1.13	2162645	> Nut HEWI12X125 8 A2A VP.	1
1.15	2162644	> Washer B12.5A25C4 VP.	1
1.31		> COOLING CASASING IPH65/140-160 PAINTED	1
1.32	2163927	> Circlip D.35X1.5 VP.	1
1.33	2150975	> Retaining ring IPH VP.	1
1.34	2163928	> O-Ring D.50X3 DF801 VP.	1
1.35	2163930	> O-Ring D.4,9X1,9 DF1438 VP.	1
1.36	2163932	> Venting screw IPH VP.	1
1.4	2051145	INTERMED.PIECE IPH-O65-80 4KW KIT	1
1.12	2162632	> Flat gasket 173X165X1,5 C-4509 VP.	1
1.13	2162645	> Nut HEWI12X125 8 A2A VP.	1
1.15	2162644	> Washer B12.5A25C4 VP.	1
1.32	2163927	> Circlip D.35X1.5 VP.	1
1.33	2150975	> Retaining ring IPH VP.	1
1.34	2163928	> O-Ring D.50X3 DF801 VP.	1
1.41		> LANTERN P215X180-F196 (IPH65/80) PAINTED	1

IPH-O65/160-4/2 (2121301)

Item	Article no.	Description	Quantity
1.42	2163933	> Gasket D.20X2 DF801 VP.	1
1.43	2163936	> Plug 1/4" VP.	1
2	2174748	Motor 4-2T24B5-112F21RU-A18x247-IE3 VP.	1
2		SPARE PARTS MOTOR:ON REQUEST	1
3	2051149	PUMP HOUSING IPH-O65/140-160 KIT	1
1.12	2162632	> Flat gasket 173X165X1,5 C-4509 VP.	1
3.1		> PUMP HOUSING IPH65/160 PAINTED	1
4	2106311	SCREW M8X30 ISO4762 12.9 (4 PIECES)	1
5	2123555	SCREW M12x50 ISO4762 8.8 (4 PIECES)	1
6	2123557	WASHER CS-12.4-24-1.6-NFE25 (4 PIECES)	1
7	2123556	NUT M12-8 ISO4032 GEOMET (4 PIECES)	1
	2064424	COUNTER FLANGE IPH-O DN65 KIT	1
		> Flange EN1092-1/11C/DN65 PN25	1
	2163944	> Flat gasket D.109x95x1,5 C-4509 VP.	1

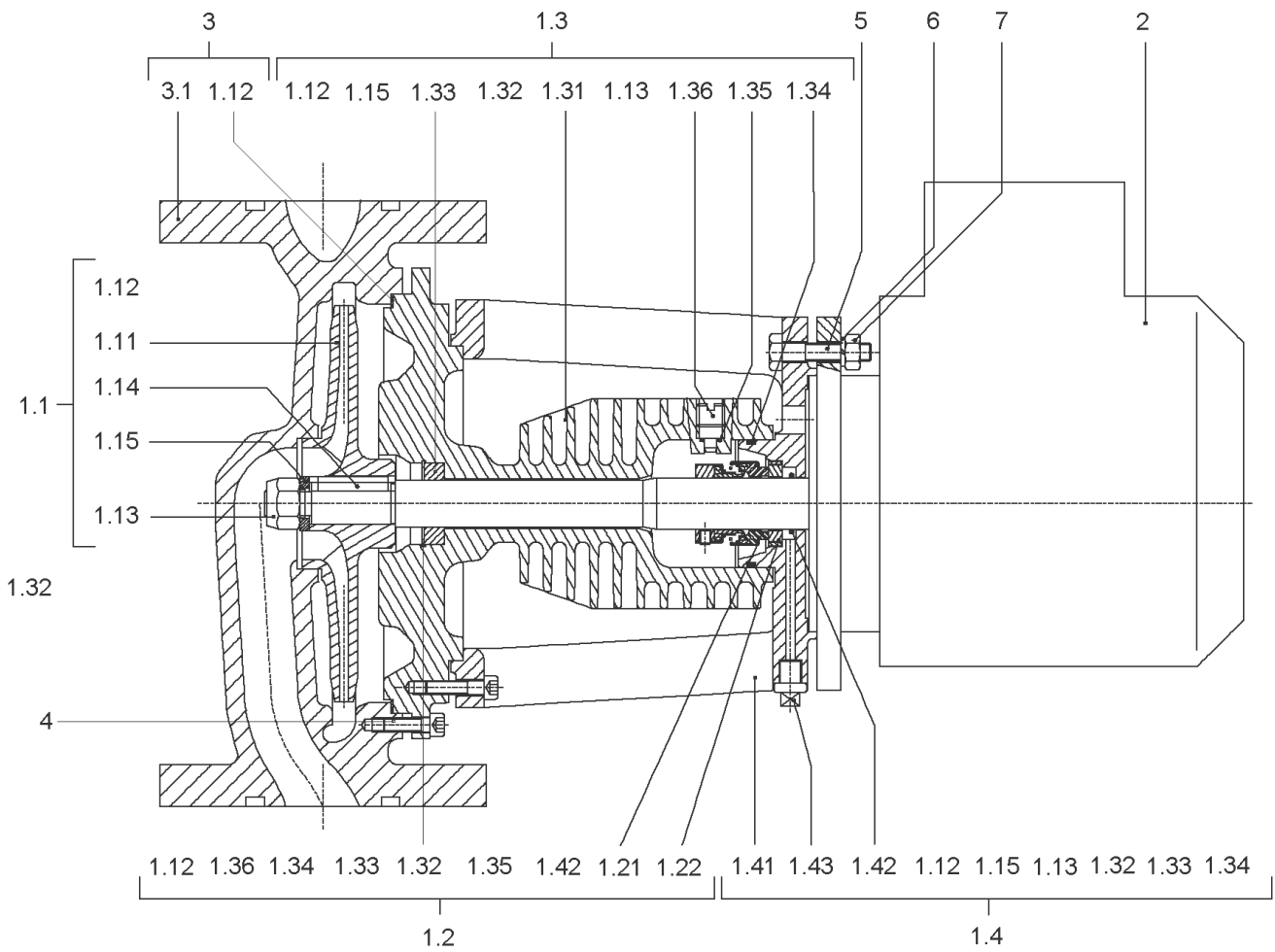


IPH-O80/110-2,2/2 (2121302)

Item	Article no.	Description	Quantity
1.1	2051147	IMPELLER IPH-O80/110 KIT	1
1.11		> IMPELLER IPH80/110(115) FGL BALANCED	1
1.12	2162632	> Flat gasket 173X165X1,5 C-4509 VP.	1
1.13	2162645	> Nut HEWI12X125 8 A2A VP.	1
1.14	2162646	> Key C 6X6X32 112 VP.	1
1.15	2162644	> Washer B12.5A25C4 VP.	1
1.2	4094357	MECHANICAL SEAL IPH-O KIT	1
1.12	2162632	> Flat gasket 173X165X1,5 C-4509 VP.	1
1.21		> ROTAT-RING-22.36.31NBR31.14.54-CYCLAM	1
1.22		> 22.37.6IN64.14INTERB.CYCLAM	1
1.32	2163927	> Circlip D.35X1.5 VP.	1
1.33	2150975	> Retaining ring IPH VP.	1
1.34	2163928	> O-Ring D.50X3 DF801 VP.	1
1.35	2163930	> O-Ring D.4,9X1,9 DF1438 VP.	1
1.36	2163932	> Venting screw IPH VP.	1
1.42	2163933	> Gasket D.20X2 DF801 VP.	1
1.3	2051148	COOLANT HOUSING IPH-O65-80/110-125 KIT	1
1.12	2162632	> Flat gasket 173X165X1,5 C-4509 VP.	1
1.13	2162645	> Nut HEWI12X125 8 A2A VP.	1
1.15	2162644	> Washer B12.5A25C4 VP.	1
1.31		> COOLING CAS.IPH20/160+65-80/110-125PAINT	1
1.32	2163927	> Circlip D.35X1.5 VP.	1
1.33	2150975	> Retaining ring IPH VP.	1
1.34	2163928	> O-Ring D.50X3 DF801 VP.	1
1.35	2163930	> O-Ring D.4,9X1,9 DF1438 VP.	1
1.36	2163932	> Venting screw IPH VP.	1
1.4	2051141	INTERMEDIATE PIECE IPH-O KIT	1
1.12	2162632	> Flat gasket 173X165X1,5 C-4509 VP.	1
1.13	2162645	> Nut HEWI12X125 8 A2A VP.	1
1.15	2162644	> Washer B12.5A25C4 VP.	1
1.32	2163927	> Circlip D.35X1.5 VP.	1
1.33	2150975	> Retaining ring IPH VP.	1
1.34	2163928	> O-Ring D.50X3 DF801 VP.	1
1.41		> LANTERN P130X110-F196 (IPH20/65/80)PAINT	1

IPH-O80/110-2,2/2 (2121302)

Item	Article no.	Description	Quantity
1.42	2163933	> Gasket D.20X2 DF801 VP.	1
1.43	2163934	> Plug 1/8" GF290 FM VP.	1
2	2174746	Motor 2,2-2T24B5-90F13RU-A18x237-IE3 VP.	1
2		SPARE PARTS MOTOR:ON REQUEST	1
3	2051146	PUMP HOUSING IPH-O80/110 KIT	1
1.12	2162632	> Flat gasket 173X165X1,5 C-4509 VP.	1
3.1		> PUMP HOUSING IPH80/125 PAINTED	1
4	2106311	SCREW M8X30 ISO4762 12.9 (4 PIECES)	1
5	2123552	SCREW M8X40 ISO4762 8.8 (4 PIECES)	1
7	2112817	NUT M8-8 ISO4032 GEOMET (4 PIECES)	1
	2064426	COUNTER FLANGE IPH-O DN80 KIT	1
		> Flange EN1092-1/11C/DN80 PN25	1
	2163945	> Flat gasket D.120x106x1,5 C-4509 VP.	1



IPH-O80/140-4/2 (2121303)

Item	Article no.	Description	Quantity
1.1	2051144	IMPELLER IPH-O80/140 KIT	1
1.11		> IMPELLER IPH80/140(138) FGL BALANCED	1
1.12	2162632	> Flat gasket 173X165X1,5 C-4509 VP.	1
1.13	2162645	> Nut HEWI12X125 8 A2A VP.	1
1.14	2162646	> Key C 6X6X32 112 VP.	1
1.15	2162644	> Washer B12.5A25C4 VP.	1
1.2	4094357	MECHANICAL SEAL IPH-O KIT	1
1.12	2162632	> Flat gasket 173X165X1,5 C-4509 VP.	1
1.21		> ROTAT-RING-22.36.31NBR31.14.54-CYCLAM	1
1.22		> 22.37.6IN64.14INTERB.CYCLAM	1
1.32	2163927	> Circlip D.35X1.5 VP.	1
1.33	2150975	> Retaining ring IPH VP.	1
1.34	2163928	> O-Ring D.50X3 DF801 VP.	1
1.35	2163930	> O-Ring D.4,9X1,9 DF1438 VP.	1
1.36	2163932	> Venting screw IPH VP.	1
1.42	2163933	> Gasket D.20X2 DF801 VP.	1
1.3	2051139	COOLANT HOUSING IPH-O80/140-160 KIT	1
1.12	2162632	> Flat gasket 173X165X1,5 C-4509 VP.	1
1.13	2162645	> Nut HEWI12X125 8 A2A VP.	1
1.15	2162644	> Washer B12.5A25C4 VP.	1
1.31		> COOLING CASASING IPH80/140-160 PAINTED	1
1.32	2163927	> Circlip D.35X1.5 VP.	1
1.33	2150975	> Retaining ring IPH VP.	1
1.34	2163928	> O-Ring D.50X3 DF801 VP.	1
1.35	2163930	> O-Ring D.4,9X1,9 DF1438 VP.	1
1.36	2163932	> Venting screw IPH VP.	1
1.4	2051145	INTERMED.PIECE IPH-O65-80 4KW KIT	1
1.12	2162632	> Flat gasket 173X165X1,5 C-4509 VP.	1
1.13	2162645	> Nut HEWI12X125 8 A2A VP.	1
1.15	2162644	> Washer B12.5A25C4 VP.	1
1.32	2163927	> Circlip D.35X1.5 VP.	1
1.33	2150975	> Retaining ring IPH VP.	1
1.34	2163928	> O-Ring D.50X3 DF801 VP.	1
1.41		> LANTERN P215X180-F196 (IPH65/80) PAINTED	1

IPH-O80/140-4/2 (2121303)

Item	Article no.	Description	Quantity
1.42	2163933	> Gasket D.20X2 DF801 VP.	1
1.43	2163936	> Plug 1/4" VP.	1
2	2174748	Motor 4-2T24B5-112F21RU-A18x247-IE3 VP.	1
2		SPARE PARTS MOTOR:ON REQUEST	1
3	2051142	PUMP HOUSING IPH-O80/140-160 KIT	1
1.12	2162632	> Flat gasket 173X165X1,5 C-4509 VP.	1
3.1		> PUMP HOUSING IPH80/160 PAINTED	1
4	2106311	SCREW M8X30 ISO4762 12.9 (4 PIECES)	1
5	2123555	SCREW M12x50 ISO4762 8.8 (4 PIECES)	1
6	2123557	WASHER CS-12.4-24-1.6-NFE25 (4 PIECES)	1
7	2123556	NUT M12-8 ISO4032 GEOMET (4 PIECES)	1
	2064426	COUNTER FLANGE IPH-O DN80 KIT	1
		> Flange EN1092-1/11C/DN80 PN25	1
	2163945	> Flat gasket D.120x106x1,5 C-4509 VP.	1