



water solutions

Data sheet

DRF 75/2/G40H A1CT5

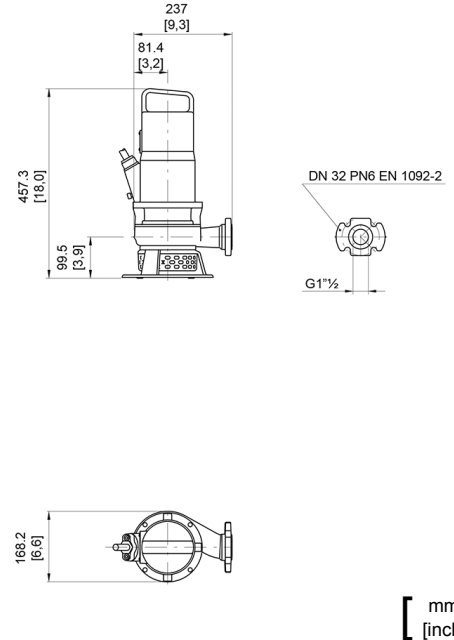
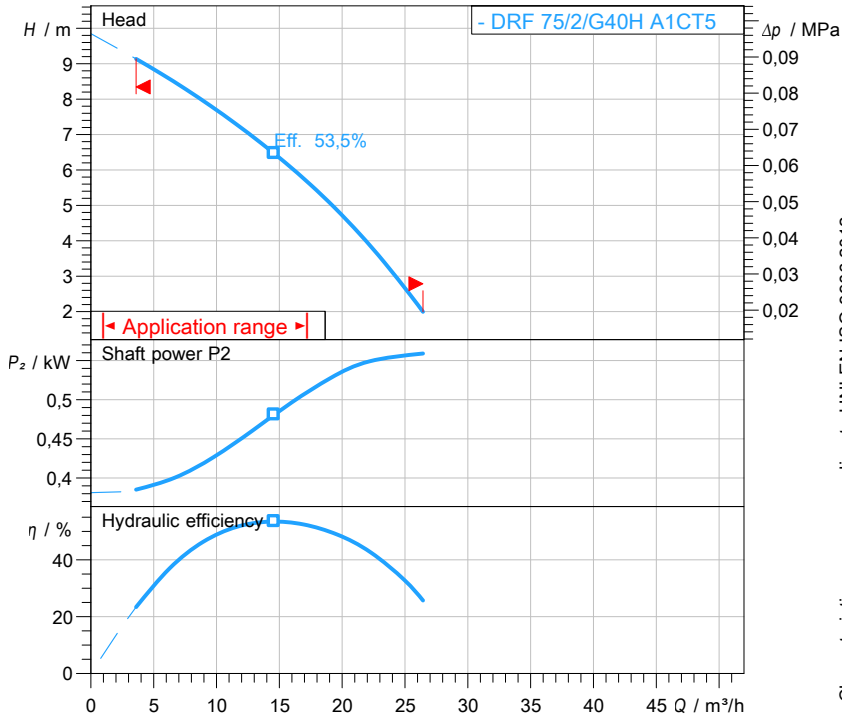


F

series

Technical specification

3~ 50 Hz



Pump

Series	F series
Pump name	DRF 75/2/G40H A1CT5
Configuration	NGTAB51040N00EX
Standard	ATEX 94/9/CE
ATEX mark	II 2 GD Ex db k IIB T4 Ex tb IIIC T135°C IP68

Motor data

Rated voltage	400 V
Frequency	50 Hz
Motor phases	3~
Number of poles	2
Rated power P_2	0,55 kW
Incoming power P_1	0,84 kW
Rated current	1,5 A
rpm	2850 1/min
cos ϕ	0,81
Rated torque	1,8 Nm
Start	Direct starting
Degree of protection	IP 68
Insulation class	H

Hydraulic

Type	DR (Multi-channel open)
Free passage	30 x 10 mm
Impeller type	Open channel impeller
Max. hydraulic efficiency	53,5 %
Suction	
Discharge	DN 32 - G 1"1/2 EN 1092-2
Curve tolerance	UNI EN ISO 9906:2012

Operating limits (standard pumps)

Max. ambient temperature	40 °C
Max. density treated liquid	1100 kg/m ³
Max. immersion depth	30 m
pH treated liquid	6 ÷ 14
Max. start per hour (equally distributed)	20
Wet/dry use	WET
Max. acoustic pressure level	70 dB
Operating mode	S1 - Continuous use

Construction materials

Case	Cast iron EN-GJL 250
Shaft	Stainless steel - AISI 420
Hydraulic	Cast iron - EN-GJL 250
Impeller	Cast iron - EN-GJL 250
Painting/Coating	Bi-epoxy 150 μ m
Screws	Stainless steel - Class A2-70
Gaskets	VITON
Foot base (if present)	Cast iron - EN-GJL 250
Strainer	Polypropylene

Construction features

Cooling system	No cooling jacket
Main cable	4G1.5 + 2x0.75
Control cable	-
Cable length	10 mt
Mechanical seals	2 in silicon carbide (2SiC)
Additional drilling	-
Weight*	28 kg
Electrical variant	Thermal protection

* cable's weight not included

Rev. 0 - 16-12-2014

All data shown are not binding. Zenit reserves the right to change data and dimensions without notice.

Created on 2017-10-26

zenit.com

Page 1 / 3



water solutions

Data sheet DRF 75/2/G40H A1CT5

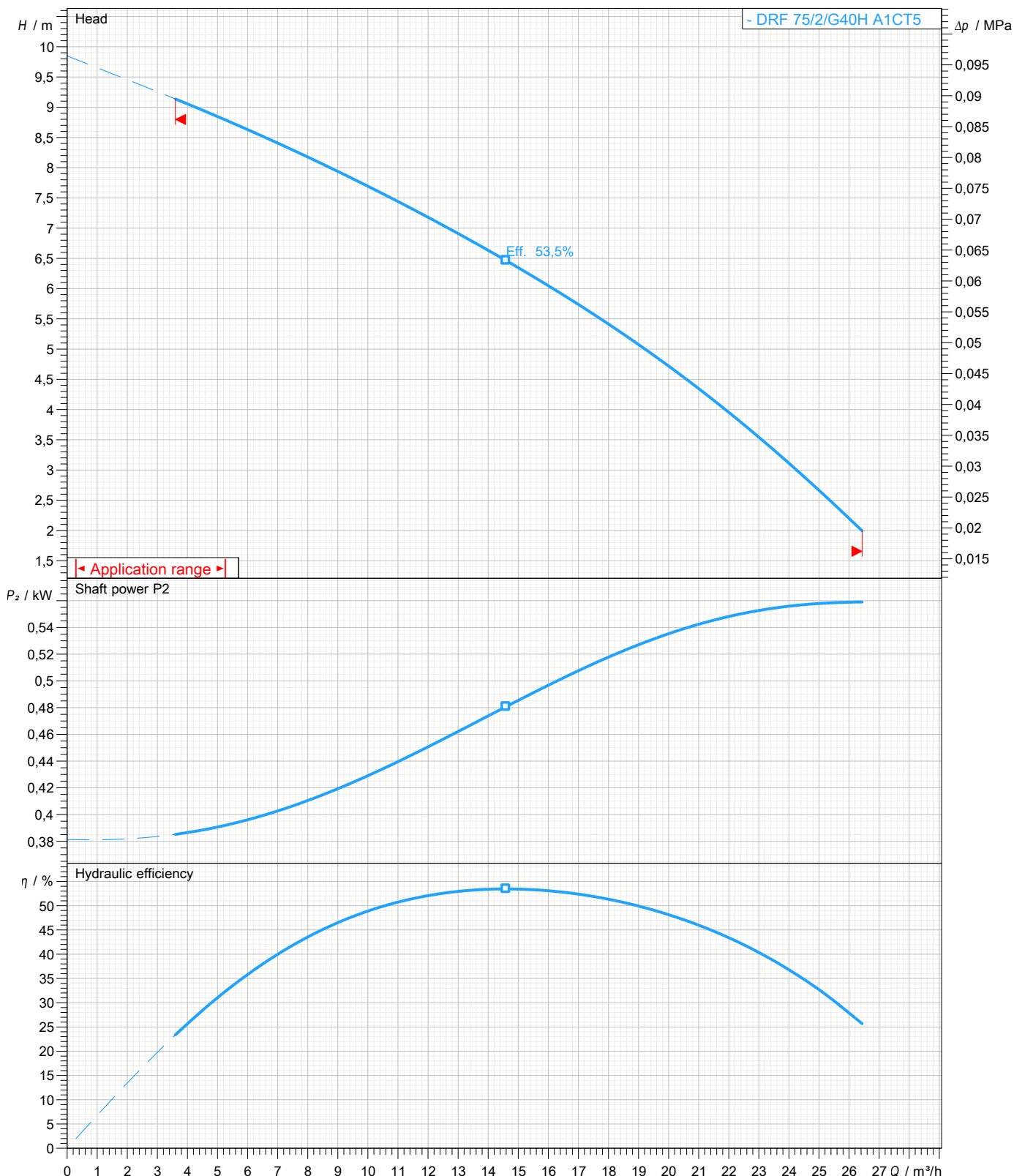


F series

Pump performance curves

3~ 50 Hz

Hydraulic type DR (Multi-channel open)		Impeller type Open channel impeller	Free passage 30 x 10 mm	Discharge DN 32 - G 1"1/2	Suction
DUTY POINT					
Flow	Head	Shaft power P2	Hydraulic efficiency	Density 998,3 kg/m ³	Viscosity 1,005 mm ² /s



Characteristic curves according to UNI EN ISO 9906:2012



water solutions

Data sheet DRF 75/2/G40H A1CT5



F

series

Dimensional drawing

3~ 50 Hz

Installation type Installation with bottom coupling device - Vertical outlet + GTP

WET/DRY use: WET

Discharge: DN 32 - G 1 1/2 EN 1092-2

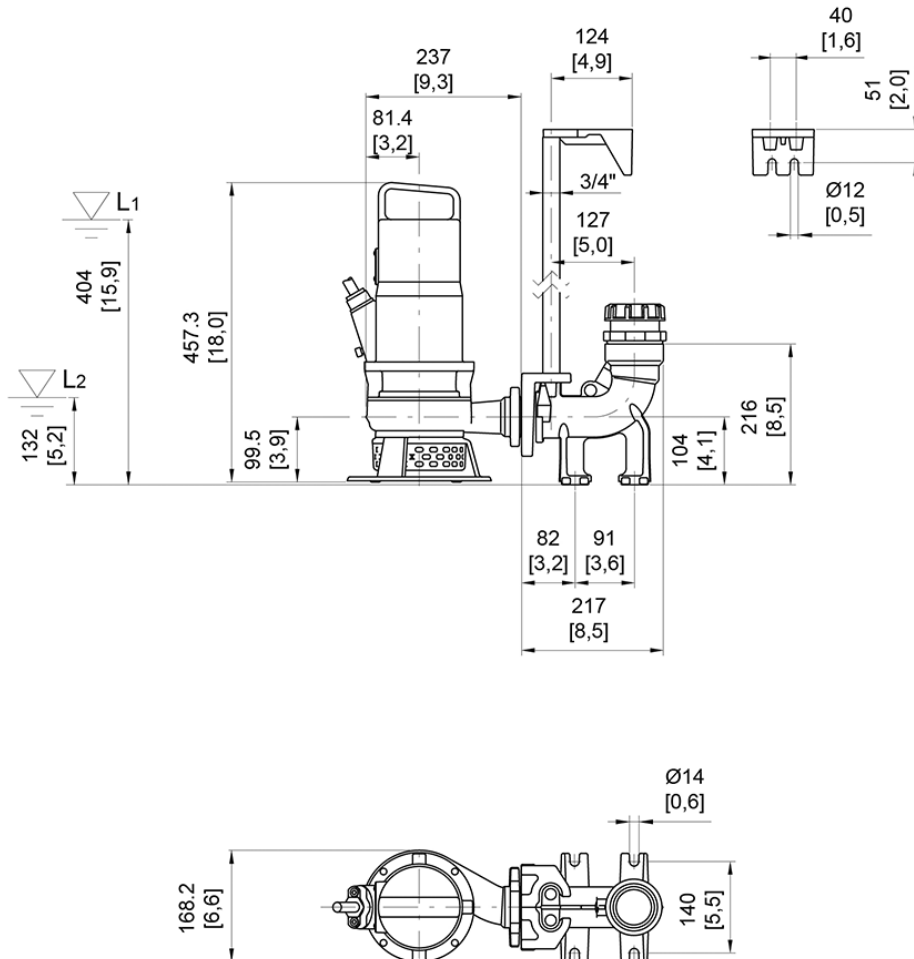
Suction:

Pressure rating (suction/discharge): PN 6

Accessory * : DAC 32-50/G50V-G65V 3/4" EN+GTP (P)

Accessory code * : 9028.002

* Accessory must be ordered separately



L1: Minimum operating level for continuous use
L2: Minimum operating level for discontinuous use

[mm]
[inch]