

Product Information Solenoid Diaphragm Dosing Pump MAGDOS LK

Reliable dosing of chemicals

Solenoid diaphragm dosing pumps play an important role in the reliable and accurate dosing of liquids in process sequences. They are appropriate for low-pressure applications and small dosing quantities.

Dosing pumps are used in many branches of industry that work with liquid chemicals - not excluding toxic and aggressive media.

Wide range of applications

MAGDOS LK is available in seven power ranges. The power ranges cover from 0.5 to 15 l/h with back pressures up to 16 bar. Double-ball valves ensure accurate dosing. To adapt the dosing performance, the stroke frequency can be adjusted manually or via an external control contact. You can thus dose with a flick of the wrist.

Several different materials and connections are available for suction and discharge side, depending on the specific applications. By using appropriate and recommended materials, the MAGDOS LK can be used in most process applications.

A matching accessory set with hoses, injection points and suction lines from our comprehensive accessory range means that nothing stands in the way of a quick installation, and you get the best results.

Simple to use and space-saving

Thanks to the sturdy, low-maintenance solenoid drive, the media being supplied (acids, alkalis, coagulants and flocculants, for example) are reliably and accurately dosed.

The MAGDOS LK doesn't just impress with its elegant design; the graphical display with a multi-language menu as well as the dosing pump's operation using the integrated keyboard simplifies its use.

The dosing pump is compact and, thanks to the small mounting area, can be integrated into every dosing system in a very space-saving way. It can be mounted in three different positions without further attachments: standing, left- or right-oriented on a wall.

In Short

- Capacity range 0.5 to 15 l/h, up to 16 bar
- Power supply 230 V AC \pm 10 %, 50/60 Hz, IP 65, max. 25 W or 115 V AC \pm 10 %, 50/60 Hz, IP 65, max. 25 W
- Graphical display with multi-language menu
- Materials available: PVC, PP, PVDF and stainless steel
- Material consistency for the pumps and accessories
- Dosing head ventilation (plastic version)
- Supplied with connection sets (except stainless steel)
- Wall and floor mounting
- Double-ball valves ensure accurate dosing
- Precise pump settings using the keyboard
- Calibration function
- One eco-mode setting
- Delivery rate displayed on various units
- Input/output signals through a M12x1 connector
- External control via floating contacts with impulse increase and reduction



- Level input with early warning and main alarm
- Release input
- Stroke feedback output

Model variants

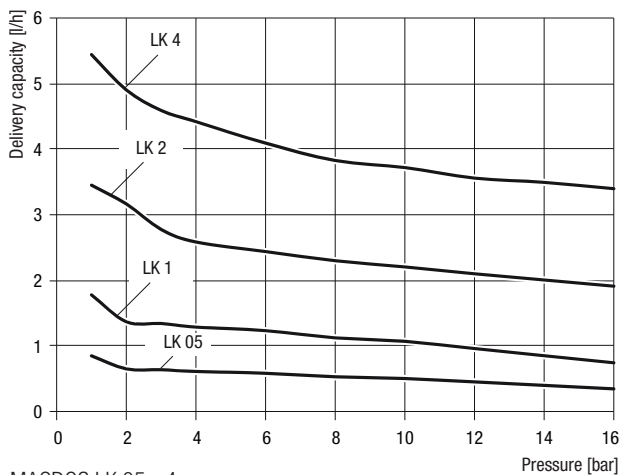
MAGDOS	Material			
	PVC	PP	PVDF	Stainless steel
LK 05	10221001	10221015	10221008	10221022
LK 1	10221002	10221016	10221009	10221023
LK 2	10221003	10221017	10221010	10221024
LK 4	10221004	10221018	10221011	10221025
LK 6	10221005	10221019	10221012	10221026
LK 10	10221006	10221020	10221013	10221027
LK 15	10221007	10221021	10221014	10221028

Technical data

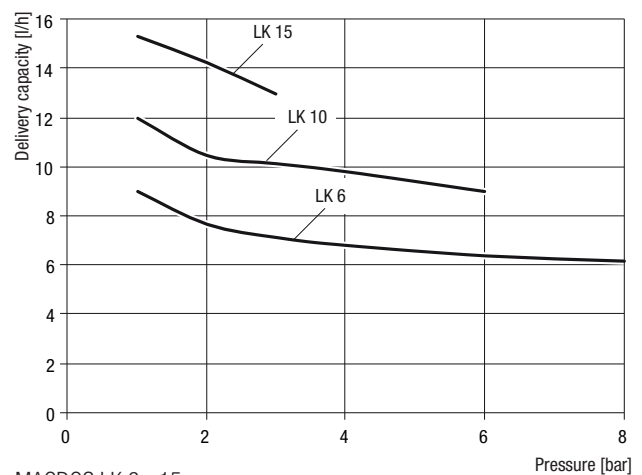
MAGDOS LK		05	1	2	4	6	10	15	
Delivery capacity at max. pressure	l/h	0.36	0.76	1.9	3.4	6.2	9.0	13.0	
	ml/stroke	0.05	0.05	0.2	0.31	0.57	0.83	0.86	
Max. supply pressure	bar	16				8	6	3	
Delivery capacity at medium pressure	l/h	0.54	1.1	2.3	3.8	6.8	10.0	15.3	
	ml/stroke	0.08	0.08	0.24	0.35	0.63	0.92	1.02	
Average back pressure	bar	8				4	3	1	
Max. stroke frequency	RPM	120	250	160	180		250		
Suction head for non-gassing media	mWS	5		3		2			
Max. inlet pressure	mbar	800							
Nominal valve width		DN3			DN4				
Voltage supply		230 V AC \pm 10%, 50/60 Hz or 115 V AC \pm 10%, 50/60 Hz							
Power consumption	W	8	13	19	25		22		
Protection class		IP 65 (with covering caps on the connections)							
Insulation class		F							
Weight	PVC, PP, PVDF	kg							
	1.4571	kg							
Max. ambient temperature	$^{\circ}$ C	5 - 45 (5 - 40 with PVC parts)							
Max. temperature of the medium	$^{\circ}$ C	80 (with PVC parts 35; with PP parts 60)							

Delivery characteristic curves

The delivery characteristic curves are valid for 20 $^{\circ}$ C (68 $^{\circ}$ F) for water at 100% stroke frequency. The delivery capacity depends on the medium (density and viscosity) and temperature. Dosing pumps must therefore be gauged in litres during application.

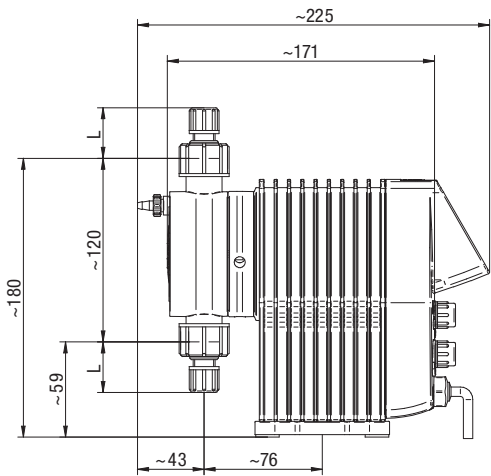


MAGDOS LK 05 - 4

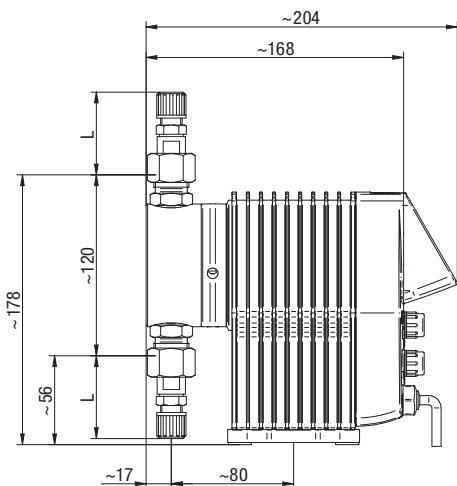
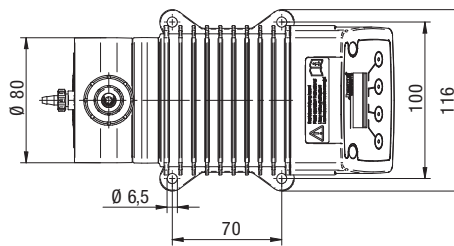


MAGDOS LK 6 - 15

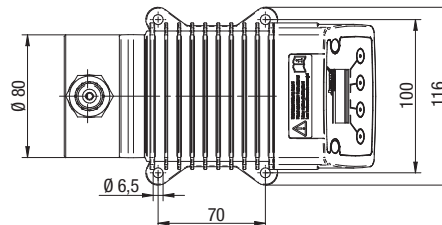
Dimensions



MAGDOS LK with dosing head made of PVC, PP or PVDF



MAGDOS LK with dosing head made of stainless steel



All dimensions in mm

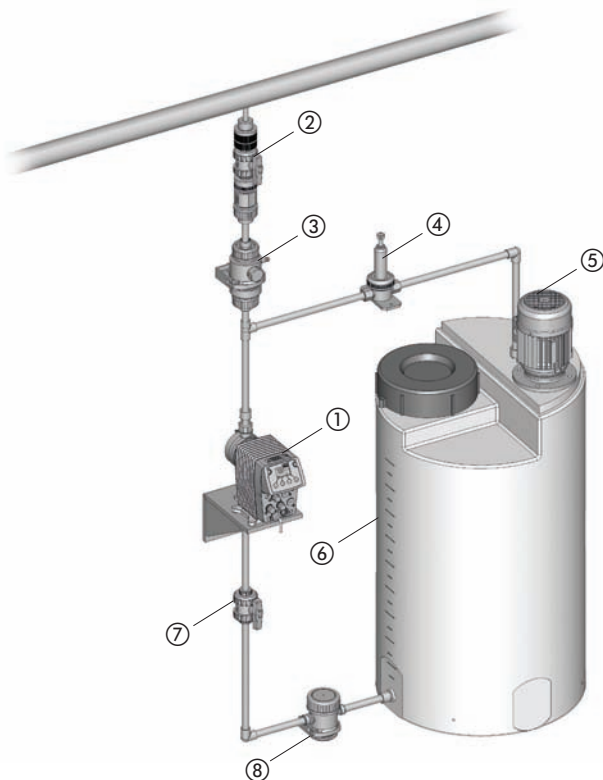
Connection	Material	Size	Nominal diameter	L
Hose clamp connection	PVC, PP, PVDF	4/6 mm	DN4	31 mm
		1/4x3/8"	1/4"	34 mm
		6/9 mm	DN6	34 mm
		6/12 mm	DN6	15 mm
	1.4571 / PVDF	4/6 mm	DN4	50 mm
		6/9 mm	DN6	54 mm

Product Information Solenoid Diaphragm Dosing Pump MAGDOS LK

Accessories

Suitable sets of accessories, which consists of a suction line, a pressure line and an injection nozzle, are available for the dosing pumps.

Even the best pump can still be improved - namely by the right technical periphery.



To make your dosing pump into an efficient dosing system, we recommend using the following accessories:

- Injection nozzles – to dose the medium in the main line and to prevent it flowing back into the pressure line
- Pressure loading and relief valves – to increase dosing accuracy or to protect the system against too high a pressure
- Pulsation dampener – to damp supply currents as well as to reduce the flow resistance in long pipelines.
- Priming aids – to significantly ease priming of dosing pumps with low supply volumes per stroke, for large suction heights, for highly-viscous dosing media or for initial priming or when priming after the system has been laying idle
- Suction pressure regulator – to prevent medium flow when the dosing pump is not running or to prevent a vacuum being formed in the event of a pipe burst

For further accessories for your dosing pump, please refer to our dosing pump brochure.

Legend

- | | |
|--|------------------------------|
| ① MAGDOS LK | ⑤ Electrical agitator |
| ② Injection nozzle with shut-off valve | ⑥ Dosing tank |
| ③ Pulsation dampener | ⑦ Shut-off valve |
| ④ Pressure relief valve | ⑧ Suction pressure regulator |