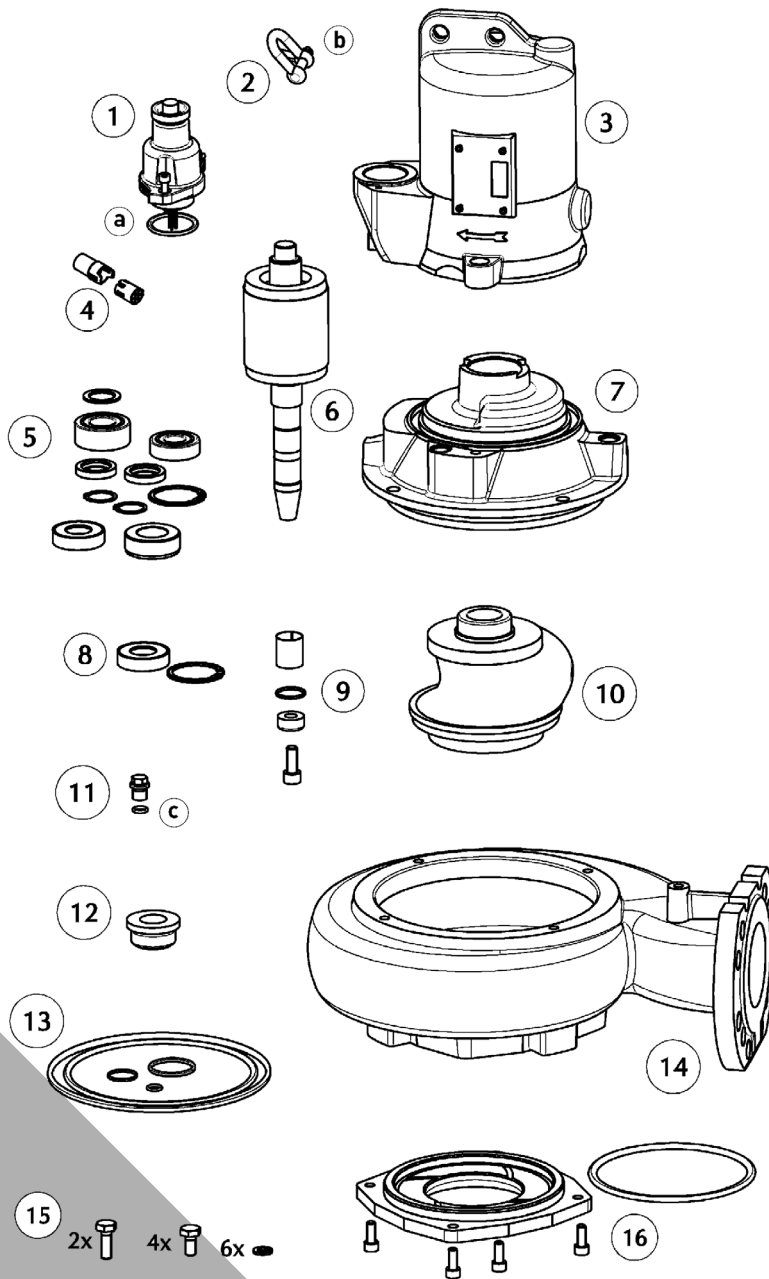


MULTISTREAM 10 - 35

Ersatzteile - Spare parts - Pièces de rechange - Reserveonderdelen - Parti di ricambio - Reservedele - Reservdelar
 Varaosat - Części zamienne - Náhradní díly - Alkatrészek - Piese de schimb - Запасные части - 备件



| | | |
|---|-----------------------------------|---------|
| a | 10x O-Ring 38x3,5 | JP48109 |
| b | 10x Splint / Cotter pins 1,6 x 20 | JP46182 |
| c | 10x O-Ring 10x2,5 | JP48088 |

| | | | |
|---|---|-------------------|--|
| ① | Leitung 10 M EX, 10 M EX, 15 M EX, 20 M | Cable | JP46259 JP45469 JP45583 JP45584 |
| ② | Schäkel | Shackle | JP45904 |
| ③ | Stator + Gehäuse 10/2, 15/2, 25/2 35/2 10/4, 15/4, 25/4 35/4 | Stator + Housing | JP44008 JP46211 JP47042 JP47045 |
| ④ | Steckverbinder | Connector | JP46572 |
| ⑤ | Lagersatz | Bearing set | JP46214 |
| ⑥ | Rotorwelle 10/2, 15/2, 25/2 35/2 10/4, 15/4, 25/4 35/4 | Rotor shaft | JP47038 JP47039 JP47040 JP47041 |
| ⑦ | Lagerkammer A1 B1 A2, B2 B3, B4, C1 | Bearing housing | JP47068 JP47069 JP47070 JP47071 |
| ⑧ | Wellenabdeckung | Shaft cover | JP47043 |
| ⑨ | Laufradbefestigung | Impeller fixation | JP47059 |
| ⑩ | Laufrad 10/2 A1 15/2 A1 25/2 A2 35/2 A2 25/2 B1 35/2 B2 10/4 B1 15/4 B3 25/4 B4 35/4 B4 25/4 C1 35/4 C1 | Impeller | JP47047 JP47048 JP47049 JP47050 JP47051 JP47052 JP47053 JP47054 JP47055 JP47056 JP47057 JP47058 |
| ⑪ | Ölschraube | Oil screw | JP46046 |
| ⑫ | Gleitringdichtung | Mechanical seal | JP46567 |
| ⑬ | Dichtungssatz | Seal set | JP47077 |
| ⑭ | Pumpengehäuse A1 A2 B1 B2 B3 B4 C1 UC | Pump casing | JP47060 JP47061 JP47062 JP47063 JP47064 JP47065 JP47066 JP47067 |
| ⑮ | Schraubensatz | Screw set | JP47076 |
| ⑯ | Schleifring B2 B4 C1 | Wear ring | JP47072 JP47073 JP47074 |
| ⑰ | 1l Öl | 1l Oil | JP48236 |