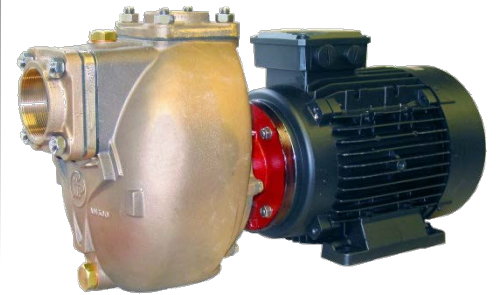


FP PUMPS

AM40DEM2T50

**1½" BRONZE
SELF-PRIMING
CENTRIFUGAL PUMP
with
CLOSE-COUPLED
A.C. ELECTRIC MOTOR**



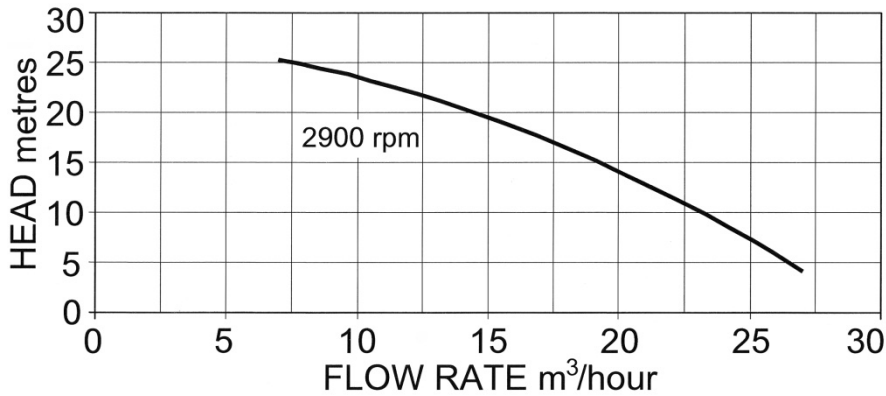
- * corrosion-resistant bronze body & impeller, with stainless steel shaft
- * self-priming up to 4m
- * carbon-ceramic mechanical shaft seal

**BRONZE
PUMPS**
for
SEAWATER

Xylem Water Solutions UK Ltd
Bingley Road
Hoddesdon
Hertfordshire • EN11 0BU • UK

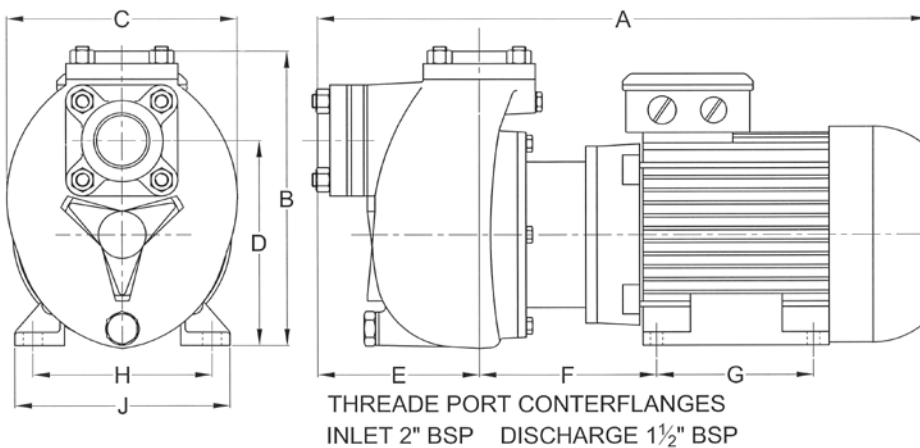
Tel: +44 (0)1462 480380
Fax: +44 (0)1462 482422
mail@cleghorn.co.uk
www.jabscoshop.com

xylem
Let's Solve Water



PERFORMANCE

Model	Maximum flow rate			Maximum head	
	l/min	cu.m/hr	gall/min	metres	feet
AM40DEM 2T50	450	27	98	25	82



Standard a.c. motor 3Kw, 2900 rpm 400v/ 3/ 50Hz totally enclosed, fan ventilated IP55 enclosure. *Contact your pump supplier for details of alternative motors

DIMENSIONS IN MM (APPROX.)

WEIGHT: 44kg

A	B	C	D	E	F	G	H	J
545	265	206	185	144	158	140	160	192

MATERIALS OF CONSTRUCTION

Pump casing	bronze
Impeller	bronze
Port counterflanges	bronze
Shaft	stainless steel AISI316
Motor housing	aluminium
Pump head bolts	stainless steel
O-ring static seal	nitrile rubber

Pump performance and specification are subject to alteration without notice