

JUNG PUMPEN PKS-D 1500

POLY-SUMP

FOR SUBMERSIBLE SEWAGE PUMPS

APPLICATION

The buoyancy-proof poly-sump which is suitable for traffic (up to class D) is used principally in the industrial and municipal sector. The modular construction and the comparatively low weight allow an easy transport and relocation, even in difficult terrain. In order to adjust the pumping station to the required pumping conditions a wide range of MultiStream and MultiFree submersible sewage pumps is available.

DESCRIPTION

The sump consists of a monolithic lower segment of \varnothing 1.5 m. The standard sump has an installation depth of 2.82 m. The installation depth can be extended up to 4.82 m on request. Max. submergence in groundwater 3.87 m.

An offset welded into the bottom element ensures a sediment free collecting chamber.

The guide rails are extended upwards to just under the cover plate in order to ensure a maximum of comfort for installation and demounting the pumps.

A manhole cover, inner width = 800 mm, is located in the rectangular concrete cover plate. The sumps are equipped with a ladder.

- Sump erection without previous concret works
- Suitable for traffic to class D 400
- Corrosion-proof (PE-HD)
- Long life
- Buoyancy-proof and ground water proof
- Easy to install and ready to fit



PKS-D 1500

AVAILABLE PUMP TYPES

MultiCut DN 32

MultiStream Pumps DN 80

MultiStream Pumps DN 100

MultiFree Pumps DN 80

MultiFree Pumps DN 100

JUNG PUMPEN PKS-D 1500

POLY-SUMP

FOR SUBMERSIBLE SEWAGE PUMPS

ACCESSORIES

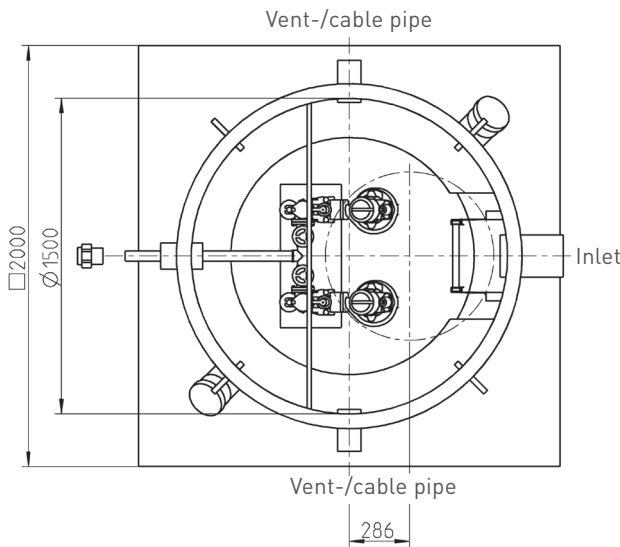
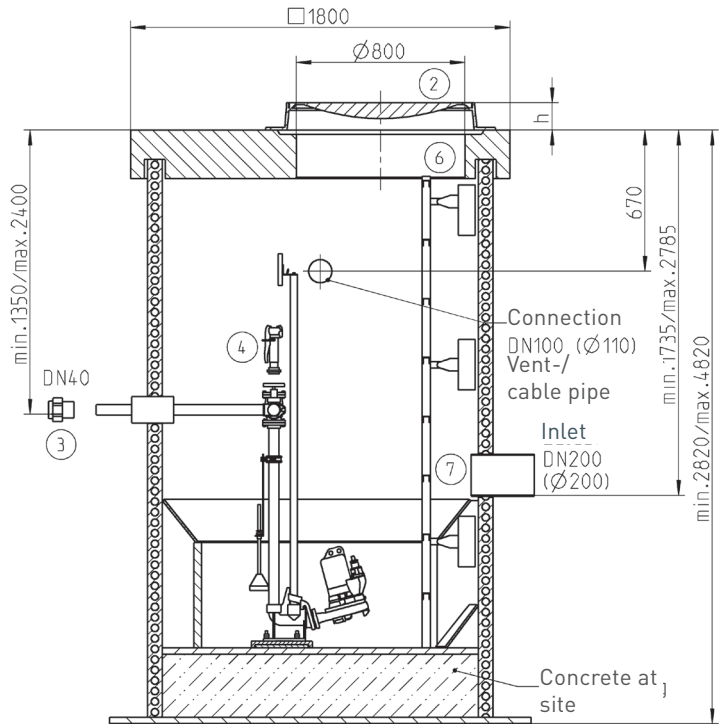
Description	Code No.	Weight (kg)	MultiStream			MultiFree			MultiCut
			B1-B5	B6	C1-C5	AW1	BW1-BW2	CW1-CW2-CW3	
1 PKS-D 1500 – D40	JP45665	2080							•
PKS-D 1500 – D80	JP45666	2145	•				•		
PKS-D 1500 – D100	JP45667	2220		•	•			•	
2 Manhole cover BEGU D 400 without ventilation Ø 800 h = 130*	JP40531	304	•	•	•		•	•	•
Ventilation pipe DN 100 stainless steel	JP44858		•	•	•		•	•	•
3 Connection DN 40	JP45948								•
Connection DN 50	JP45949								•
Flange adaptor DN 80	JP30062	7	•				•		
DN 100	JP30063	10		•	•			•	
Pipe connector DN 80 (for spigot)	JP30065	7	•				•		
DN 100 (for spigot)	JP45926	12		•	•			•	
Inner support sleeve DN 80 PE100, SDR11 (necessary for PE pipe)	JP30096		•				•		
DN 100* PE100, SDR11 (necessary for PE pipe)	JP30097			•	•			•	
4 Perrot flushing connection 1½", DN 40	JP25794								•
1½" Edelstahl D80	JP29583		•				•		
Accessories for flushing tube Bend with hose nozzle Ø 50 mm	JP19202		•				•		•
DRS-connection ½"	JP22421		•				•		•
Breathing valve	JP22422		•				•		•
DRS-connection with breathing valve ½"	JP22419		•				•		•
Pressure gauge	JP44854		•				•		•
Claw coupling	JP22420		•				•		•
Flush 1" outside	JP22466		•				•		•
5 Fire hose coupling C (DIN 14307) 1½" (sump D80)	JP44770		•				•		
C (DIN 14307) 2" (sump D100)	JP44853			•	•			•	
6 Access aid PKS-D Duplex stringer, immersible, stainless steel	JP28255		•	•	•		•	•	•
7 Collide chamber	JP46525	5	•	•	•		•	•	•
Seal lubricant 1 kg tube	JP44605	1	•	•	•		•	•	•
3 kg bucket	JP44606	3	•	•	•		•	•	•

JUNG PUMPEN PKS-D 1500

POLY-SUMP

FOR SUBMERSIBLE SEWAGE PUMPS

Mounting arrangement PKS-D 1500-D40



45579-03

SCOPE OF SUPPLY

PKS-D 1500-D40

Monolithic sump \varnothing 1,5 m with stainless steel outlet 1½", collecting chamber optimized for minimum residual water volume, inlet connection for collar KGU DN 200, 2 venting/cable connecting branches for collar KGU DN 100, 4 transport eyelets, mounted guide rail systems, coupling claws with screws enclosed, pressure pipe, Y-piece and 2 stop valves in stainless steel, 2 non return elbow valves in cast iron, option for 1½" flushing connection with stainless steel stop valve and stainless steel retainer for pressure sensors.

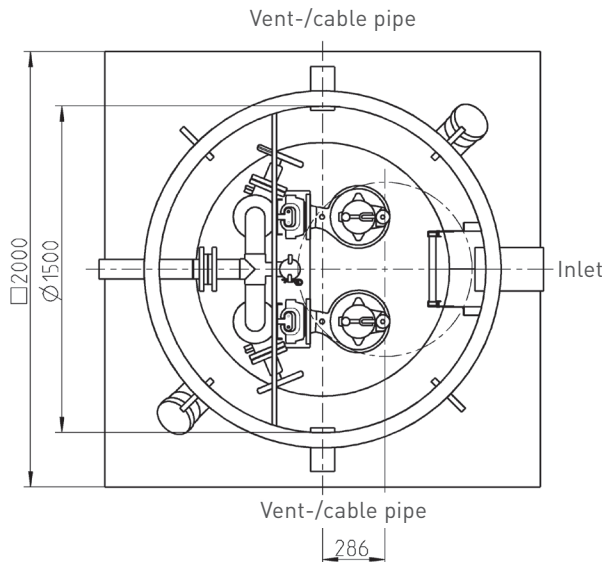
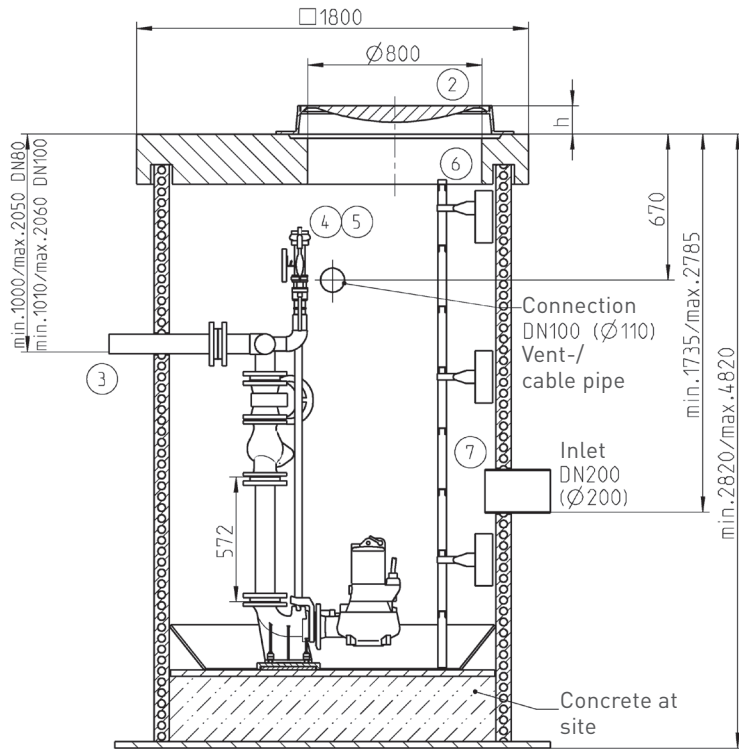
Pre-assembled stainless steel ladder and integrated PE tie bar with stainless steel guide tubes and brackets. Concrete cover plate (SLW 60) with manhole \varnothing 800 mm.

JUNG PUMPEN PKS-D 1500

POLY-SUMP

FOR SUBMERSIBLE SEWAGE PUMPS

Mounting arrangement duplex unit PKS-D 1500-D80 and PKS-D 1500-D100



45580-03

SCOPE OF SUPPLY

PKS-D 1500-D80 and PKS-D 1500-D100

Monolithic sump \varnothing 1,5 m with DN 80 or DN 100 PE-HD pressure outlet DN 80 oder DN 100, offset, inlet connection for collar KGU DN 200, 2 venting/cable connecting branches for collar KGU DN 100, 4 transport eyelets, mounted guide rail systems, coupling claws with screws enclosed,

pressure pipe and Y-piece in PE, 2 stop valves and 2 non return valves in cast iron, option for 1½" flushing connection with stainless steel stop valve.

Pre-assembled stainless steel ladder and integrated PE tie bar with stainless steel guide tubes and brackets. Concrete cover plate (SLW 60) with manhole \varnothing 800 mm.

We reserve the right to change specifications without notice

Greater installation and submergence depths on request