

# AC series

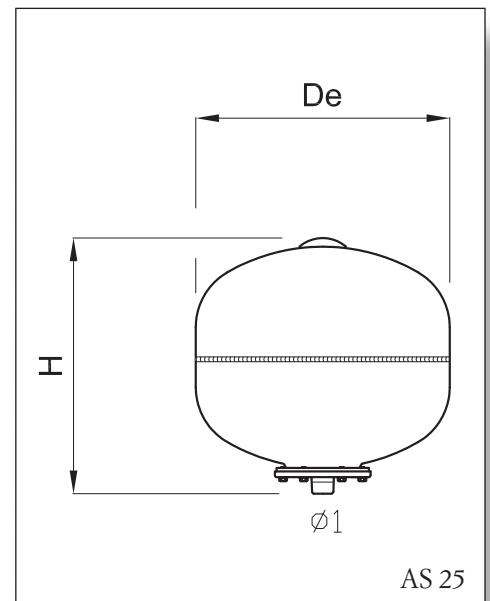
from 5 to 24 litres



The AC series replaceable bladder accumulators come in models with a 5 to 24 litres capacity and provide for small-sized domestic systems, garden irrigation systems and any other application requiring smaller delivery capacities. All the models are equipped with standard EPDM bladders that allow them to be used as expansion vessels for sanitary use. The AS-25 model, both practical and inexpensive, is suited for fitting directly on the pump. The AC GMP-25 model has been designed to implement small, compact-type, pressurisation units. CE certified.

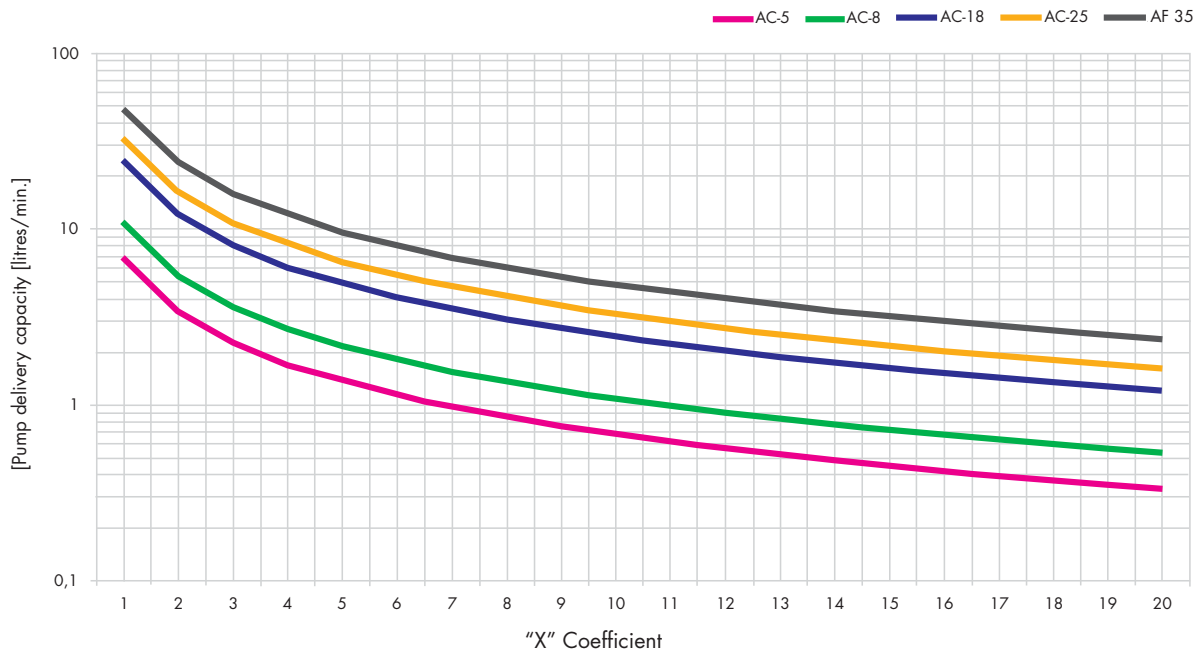
## Characteristics:

- Long-lasting epoxy paint finish to ensure greater protection against atmospheric corrosion.
- Complete separation between water and air.  
No contact between water and the inner surface of the tank;
- Non toxic replaceable bladder for alimentary use, flexible enough to allow full expansion inside the tank, thus, enhancing performances and ensuring a longer product life cycle;
- Working temperatures:  $-10^{\circ} \div +99^{\circ}\text{C}$  (model AC 20 PN25:  $-10^{\circ} \div +50^{\circ}\text{C}$ );
- In compliance with essential safety requirements of European directive 97/23/EC;
- CE marking (type AC 5 without CE marking).



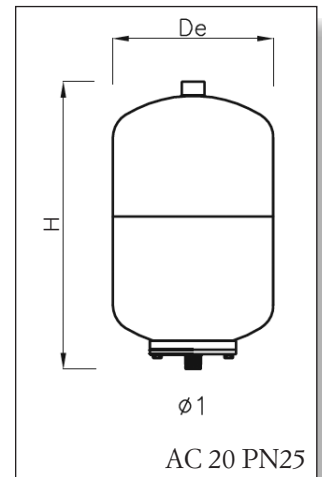
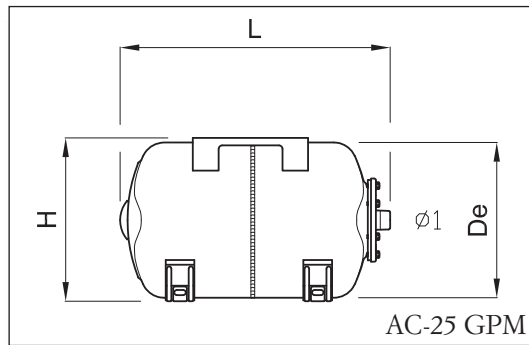
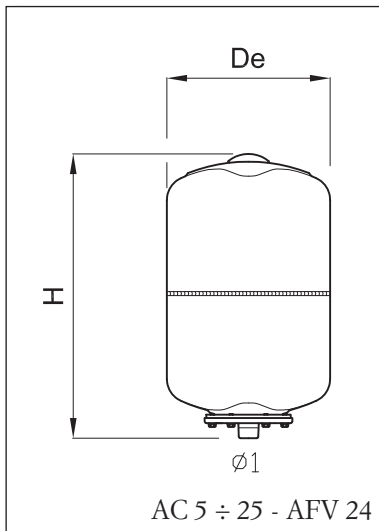
Type	Capacity litres	Working pressure bar	Precharge pressure bar	De mm	H mm	L mm	ø1	Packaging mm
AC 5	5	8	1.5	205	240	-	3/4"	210 x 210 x 250
AC 8 CE	8	8	1.5	205	315	-	3/4"	210 x 210 x 320
AC 18 CE	18	8	1.5	270	430	-	3/4" - 1"	280 x 280 x 450
AC 20 PN25	20	25	5	270	485	-	3/4" - 1"	280 x 280 x 500
AC 25 CE	24	8	1.5	270	470	-	3/4" - 1"	280 x 280 x 470
AFV 24	24	16	1.5	270	470	-	3/4" - 1"	280 x 280 x 470
AC 25 GPM CE	24	8	1.5	270	290	470	3/4" - 1"	280 x 300 x 470
AS 25 CE	24	8	1.5	360	365	-	3/4" - 1"	360 x 360 x 380

### Bladder accumulator selection chart



To make sizing easier, a chart has been drawn up to select the most appropriate accumulator according to both the working pressure and delivery criteria. Note that the chart is based on the following hypothesis: standard precharge and 15 pump starts per hour (see p.19 to identify the "X" coefficient).

Pump maximum delivery capacity [litre/min.]	$\Delta p$ operating pressures											
	1,5 ÷ 3,0			2,0 ÷ 3,5			2,5 ÷ 4,0			2,0 ÷ 4,0		
	Number of pump starts per hour											
	15	8	5	15	8	5	15	8	5	15	8	5
2	5	8	18	8	18	24	8	18	35	5	8	18
8	18	35	50	24	50	80	80	35	100	24	50	80
10	24	50	60	35	60	100	100	50	150	35	50	100



# AF series

from 35 to 500 litres



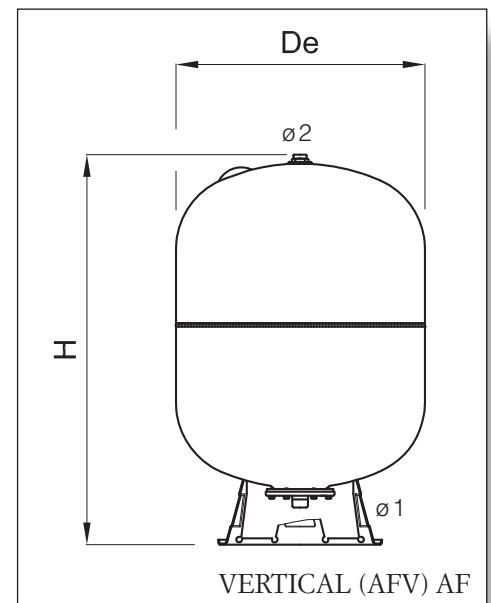
The AF series replaceable bladder accumulators come in models with a 35 to 500 litres capacity, and are best suited for residential and industrial systems requiring substantial delivery capacities.

Supplied in the CE certified version, the AF series accumulators are also available in customised versions compliant with major international standards. The horizontal version is provided with universal motor-support brackets to allow the pump to be directly fastened above the vessel.



## Characteristics:

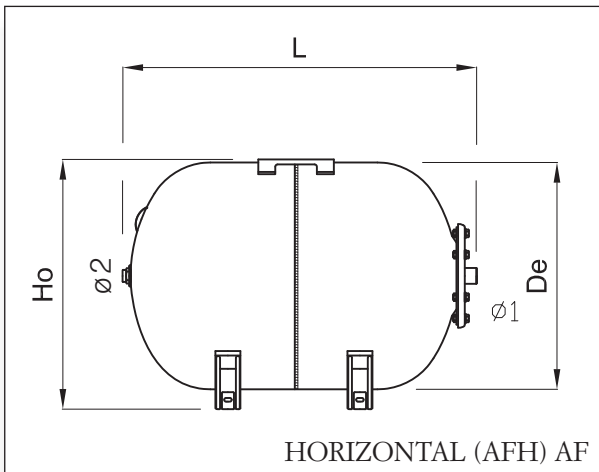
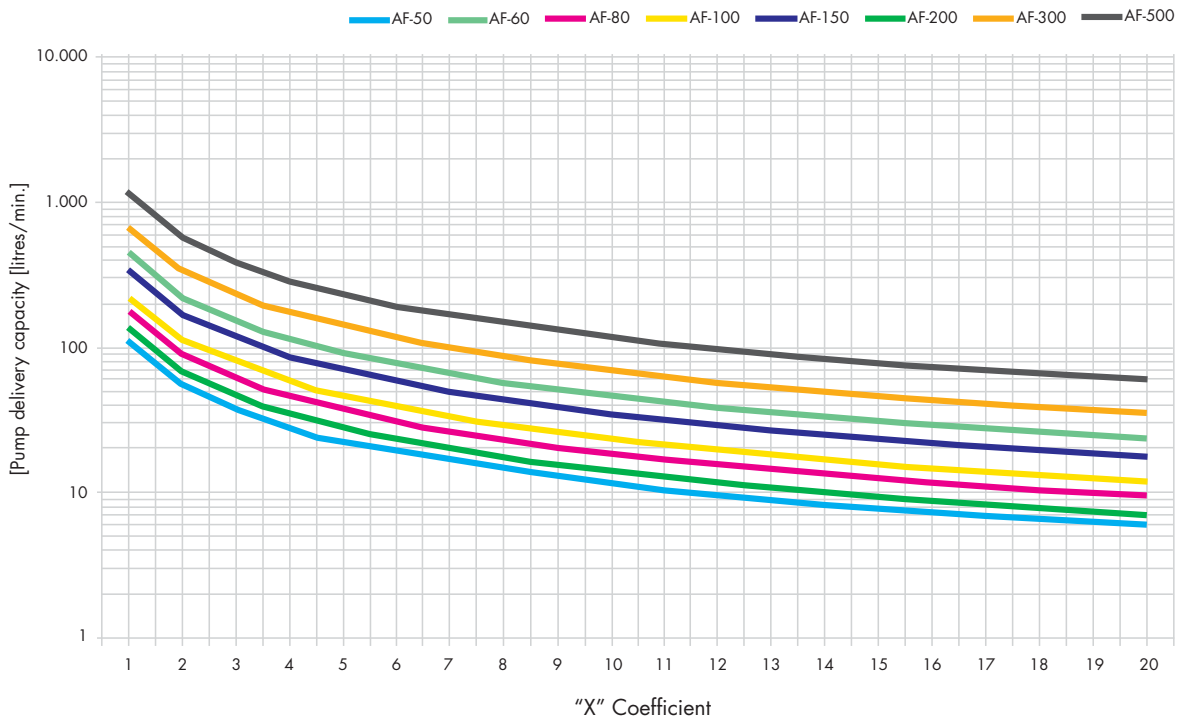
- Sturdy construction in prime quality long life steel.
- Non toxic replaceable bladder for alimentary use, flexible enough to allow full expansion inside the tank, thus, enhancing performances and ensuring a longer product cycle.
- Long-lasting epoxy paint treatment to ensure greater protection against atmospheric corrosion.
- Complete separation between water and air;
- No contact between water and the inner surface of the tank;
- Working temperatures:  $-10^{\circ} \div +99^{\circ}\text{C}$ ;
- In compliance with essential safety requirements of European directive 97/23/EC;
- CE marking.



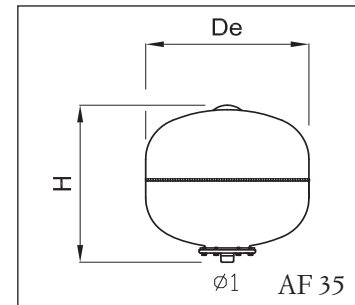
Type	Capacity litres	Work. Pres. bar	Prec. Pres. bar	De mm	H mm	Ho mm	L mm	ø1	ø2	Packaging		
										vertical mm	horizontal mm	
AF 35	35	10	-	1.5	400	-	-	400	3/4" - 1"	-	410x410x410	-
AF 50	50	10	-	1.5	400	600	425	515	1"	-	410x410x610	410x530x440
AF 60	60	10	-	1.5	400	750	480	675	1"	1/2" F - 3/4" M	410x410x760	410x685x490
AF 80	80	10	-	1.5	400	815	480	765	1"	1/2" F - 3/4" M	410x410x860	410x775x490
AF 100	100	10	16	1.5	500	805	585	720	1"	1/2" F - 3/4" M	510x510x830	510x730x600
AF 150	150	10	-	1.5	500	1030	-	-	1" 1/4	1/2" F - 3/4" M	510x510x1040	-
AF 200	200	10	16	1.5	600	1065	665	970	1" 1/4	1/2" F - 3/4" M	610x610x1110	610x950x680
AF 300	300	10	16	1.5	650	1270	705	1130	1" 1/4	1/2" F - 3/4" M	660x660x1290	660x1140x720
AF 500	500	10	-	1.5	775	1420	-	-	1" 1/4	1/2" F - 3/4" M	785x785x1440	-

1 MPa = 10 bar

### Bladder accumulator selection chart



To make sizing easier, a chart has been drawn up to select the most appropriate accumulator according to both working pressure and delivery criteria. Note that the chart is based on the following hypothesis: standard precharge and **15 pump starts per hour** (see p.19 to identify the "X" coefficient).



Pump maximum delivery capacity [litres/min.]	$\Delta p$ operating pressures											
	1,5 ÷ 3,0			2,0 ÷ 3,5			2,5 ÷ 4,0			2,0 ÷ 4,0		
	Number of pump starts per hour											
	15	8	5	15	8	5	15	8	5	15	8	5
10		50	60	35	50	100	50	100	150	35	50	80
20	50	80	150	60	100	200	100	200	300	50	100	200
25	60	100	150	80	150	250	150	250	300	80	150	250
40	100	200	250	150	250	500	200	300	500	100	250	300
45	100	200	300	150	200	500	250	500	/	150	250	500
55	150	250	300	200	300	500	300	500	/	150	300	500
75	200	300	500	250	500	/	300	/	/	200	500	/
95	200	500	/	300	500	/	500	/	/	300	500	/
115	250	500	/	500	/	/	500	/	/	300	/	/
150	300	/	/	500	/	/	/	/	/	500	/	/
200	500	/	/	/	/	/	/	/	/	/	/	/