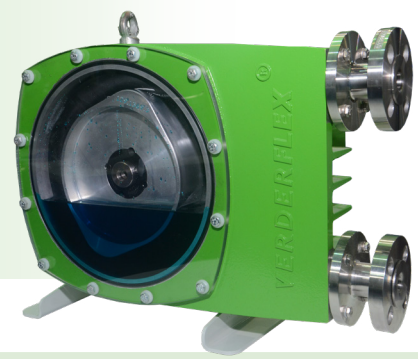


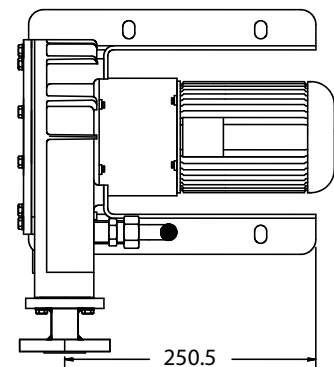
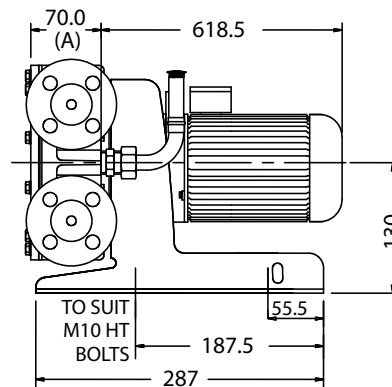
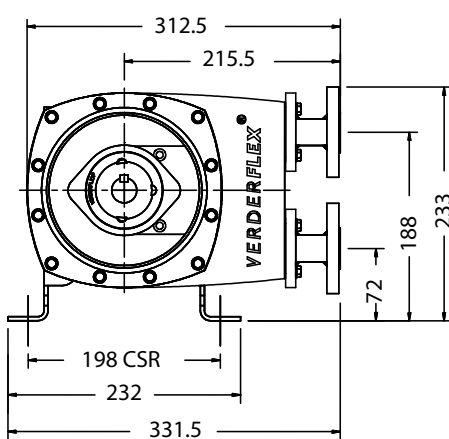
Verderflex

VF10



VERDERFLEX®

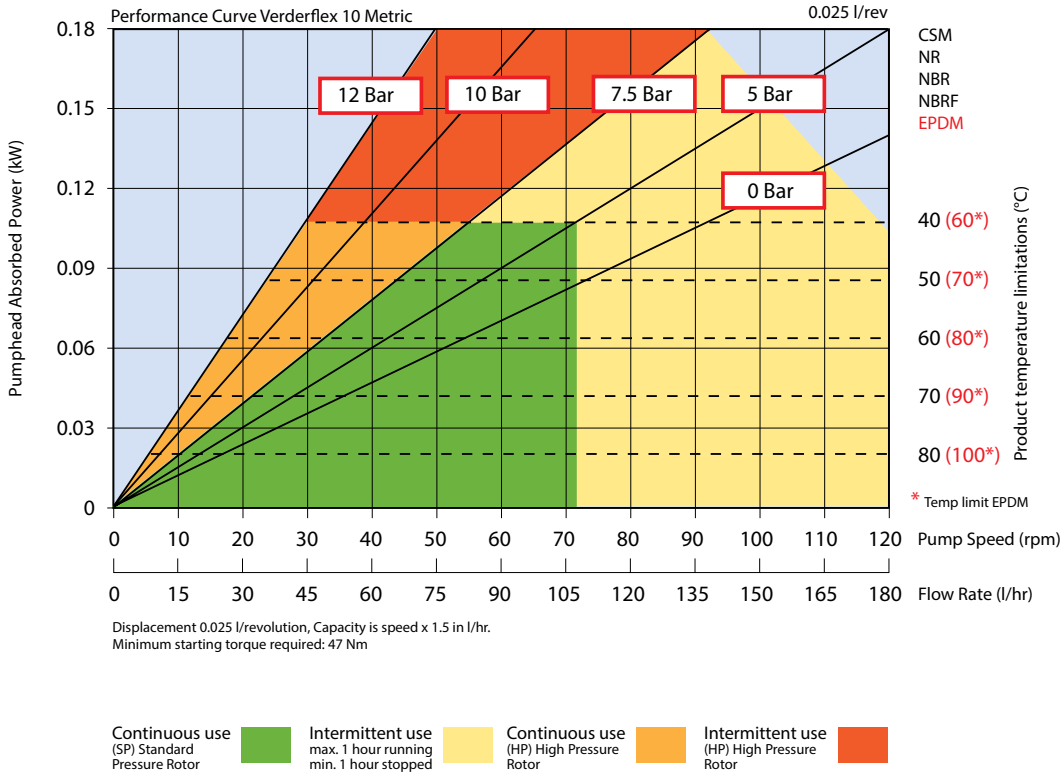
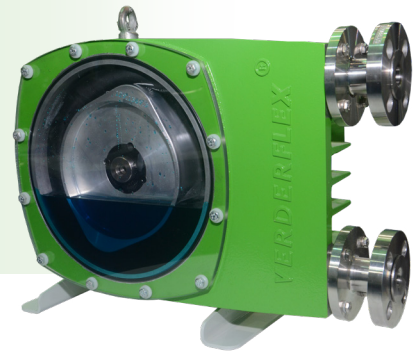
Description	Material	Paint Detail
Pump Housing	Aluminium (LM25)	Green Powder Coated
Front Cover	Clear Polycarbonate	
Rotor	Aluminium (BS.1490:1988 LM25M)	
Port Flange	304 Stainless Steel Universal slotted design fits with 10 mm 3/8" DIN PN16, ANSI 150# & JIS10K Tri-Clamp Port Flange Assembly DIN 32676 available on request	
Inserts	Stainless Steel (316L) Options: Polypropylene, P.V.D.F. Inserts	
Mounting Frame	Carbon Steel	Powder Coated
Lubricant	Verderlube - Glycerine based compound Verdersil - Silicone oil	
Hose	Natural Rubber (NR) Options: Nitrile Buna Rubber (NBR) Ethylene Propylene Diene Mono-mer (EPDM), Food Grade Nitrile Buna (NBRF) and Hypalon® (CSM)	
Typical Pump Unit Weight	Aluminium Pump: 22 - 31 kg	



All dimensions are in mm.
All dimensions and weights are for guidance only.



Verderflex VF10



Flows are typical and were measured with water at 20°C with no suction lift or discharge pressure. Actual flows will vary according to suction conditions, discharge pressure and normal component production tolerances.

**Find your local supplier
at www.verderflex.com**

For construction installation and floor mounting drawings
please contact your local authorised Verderflex® distributor.

VERDER
passion for pumps