

Data sheet: Yonos ECO 30/1-5 BMS

Hydraulic data

Max. volume flow Q	3.2 m ³ /h
Max. delivery head H	5 m
Energy efficiency index (EEI)	0.20

Motor data

Mains connection	1~230 V, 50/60 Hz
Rated current I_N	0.29 A
Insulation class	F
Emitted interference	EN 61800-3;2004+A1;2012 /residential area (C1)
Interference resistance	EN 61800-3;2004+A1;2012 /industria l environment (C2)
Electromagnetic compatibility	EN 61000-6-2

Materials

Shaft	1.4028, X30Cr13
Pump housing	5.1300, EN-GJL-200
Impeller	PP-GF30
Bearing material	Carbon, metal impregnated

Product data

Maximum operating pressure PN	10 bar
Max. fluid temperature T	110 Celsius
Min. fluid temperature T	-10 Celsius
Max. ambient temperature T	65 Celsius

Installation dimensions

Pipe connection on the suction side	G 2
Pipe connection on the pressure side	G 2
Port-to-port length l_0	180 mm

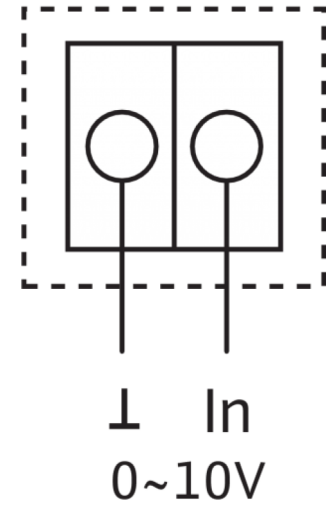
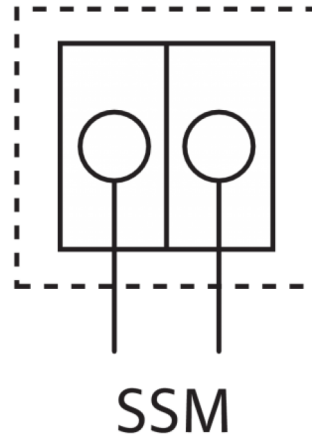
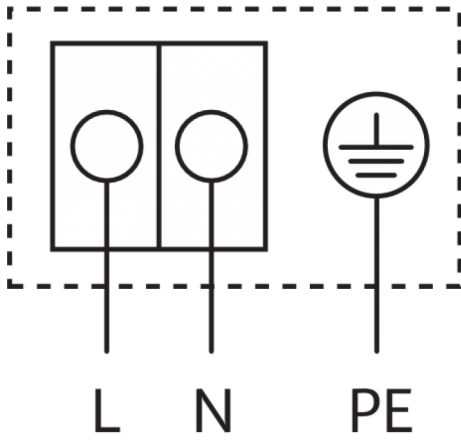
Information on placed orders

Brand	Wilo
Product description	Yonos ECO 30/1-5 BMS
Article number	2150701
Net weight, approx. m	3 kg

Wiring diagram: Yonos ECO 30/1-5 BMS

1~230 V, 50/60 Hz

Standard



1~ 230 V, 50/60 Hz

Ordering information: Yonos ECO 30/1-5 BMS

Brand	Wilo
Product description	Yonos ECO 30/1-5 BMS
EAN number	4048482453712
Article number	2150701
Gross weight, approx. <i>m</i>	3.0 kg
Net weight, approx. <i>m</i>	3 kg
Overall length <i>L</i>	180.0 mm
Height without packaging <i>H</i>	165 mm
Colour	silver/black
Packaging property	Transport packaging
Packaging type	Cardboard box
Number per layer	16
Width without packaging <i>L</i>	110.0 mm
Minimum order quantity	1
Number per pallet	96

Tender text: Yonos ECO 30/1-5 BMS

High-efficiency pump Wilo-Yonos ECO, electronically controlled.

Maintenance-free glandless circulator with screwed connection, blocking-current proof synchronous motor according to ECM technology and built-in electronic power control for variable differential pressure control.

Can be used for all HVAC applications (-10 °C to +110 °C).

Standard-equipped with:

- Preselectable control modes for optimum load adjustment: Δp -c (constant differential pressure), Δp -v (variable differential pressure), manual control mode (n constant)
- Integrated motor protection
- Minimal consumption only 5 W
- Automatic deblocking function
- High starting torque
- Collective fault signal (SSM) as potential-free contact
- Control input 0 – 10 V
- Control cable (4-wire, length 1.5 m) for SSM connection and 0-10 V
- Wilo-Connector
- Thermal insulation shell

Materials

Pump housing	5.1300, EN-GJL-200
Impeller	PP-GF30
Shaft	1.4028, X30Cr13
Bearing material	Carbon, metal impregnated

Operating data

Fluid media	Water
Min. fluid temperature T	-10 Celsius
Max. fluid temperature T	110 Celsius
Maximum operating pressure PN	10 bar
Minimum suction head at 50 °C	0.5
Minimum suction head at 95 °C	4.5
Minimum suction head at 110 °C	11
Max. ambient temperature T	65 Celsius

Motor data

Energy efficiency index (EEI)	0.20
Emitted interference	EN 61800-3;2004+A1;2012 /residential area (C1)
Interference resistance	EN 61800-3;2004+A1;2012 /industria I environment (C2)
Mains connection	1~230 V, 50/60 Hz
Power consumption $P_{1\max}$	33 W
Min. speed	1200 rpm
Max. speed	3900 rpm
Protection class motor	IPX4D
Threaded cable connection	11 PG

Installation dimensions

Pipe connection on the suction side	G 2
Port-to-port length l_0	180 mm

Information on placed orders

Net weight, approx. m	3 kg
Brand	Wilo
Product description	Yonos ECO 30/1-5 BMS