

## Quiet-running horizontal multi-stage centrifugal pumps

### Applications

To work with clean water in domestic applications, irrigation, and pressure sets.

### Materials

Pump body and impellers in stainless steel AISI 304.  
Diffusers in technopolymer.  
Mechanical seal in graphite and steatite.

### Tecno 05:

O-rings in EPDM and NBR.  
Pump base, motor flange and motor housing in aluminium.

### Tecno/Tecnoself 15/25:

Motor shaft in stainless steel AISI 431.  
Motor housing in aluminium.  
Gaskets in EPDM/NBR.

### Motor

Asynchronous, two poles.  
IP 55 protection.  
Class F insulation.  
Continuous operation.

**Tecno 05:** Built-in thermal protection.

**Tecno/Tecnoself 15:** Single-phase version built-in thermal protection.

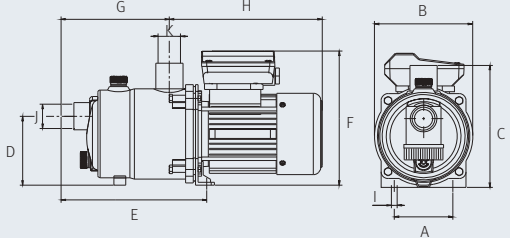
**Tecno 25:** Single-phase version up to 1.25 HP built-in thermal protection.



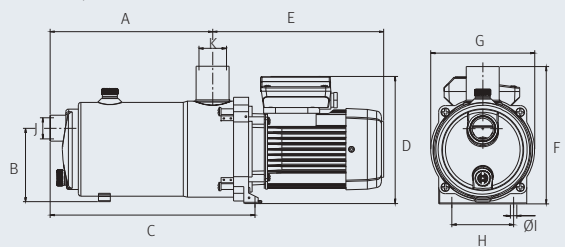
### Dimensions and weights

Model	A	B	C	D	E	F	G	H	I	J	K	[Kg]
Tecno 05 2	80	136	157.5	94	176.3	174	123.8	225	9	1"	1"	5.2
Tecno 05 3	80	136	157.5	94	194.2	174	141.7	225	9	1"	1"	6.2
Tecno 05 4	80	136	157.5	94	211.5	174	159	225	9	1"	1"	6.3
Tecno 15 3	197.4	107.5	258	181.5	232.5	196.3	148.5	88	9	1"	1"	7.2
Tecno 15 4	220.7	107.5	281.3	181.5	232.5	196.3	148.5	88	9	1"	1"	9.5
Tecno 15 5	244	107.5	304.6	181.5	232.5	196.3	148.5	88	9	1"	1"	11
Tecno 25 3	210	107.5	271.5	267	190.5	148.5	196.3	88	9	1"	1"	7.2
Tecno 25 4	236.6	107.5	298.1	267	190.5	148.5	196.3	88	9	1"	1"	9.5
Tecno 25 5	263.2	107.5	324.7	288.5	190.5	148.5	196.3	88	9	1"	1"	11
Tecnoself 15 3	197.4	107.5	258	181.5	232.5	196.3	148.5	88	9	1"	1"	7.2
Tecnoself 15 4	220.7	107.5	281.3	181.5	232.5	196.3	148.5	88	9	1"	1"	9.5
Tecnoself 15 5	244	107.5	304.6	181.5	232.5	196.3	148.5	88	9	1"	1"	11
Tecnoself 25 3	210	107.5	271.5	267	190.5	148.5	196.3	88	9	1"	1"	7.2
Tecnoself 25 4	236.6	107.5	298.1	267	190.5	148.5	196.3	88	9	1"	1"	9.5
Tecnoself 25 5	263.2	107.5	324.7	288.5	190.5	148.5	196.3	88	9	1"	1"	11

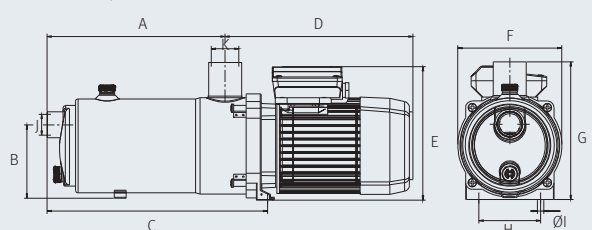
Tecno 05



Tecno 15 / Tecnoself 15



Tecno 25 / Tecnoself 25

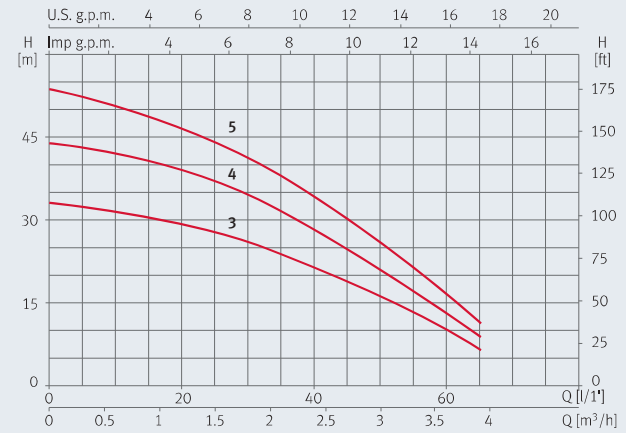


## Performance curves at 2900 rpm

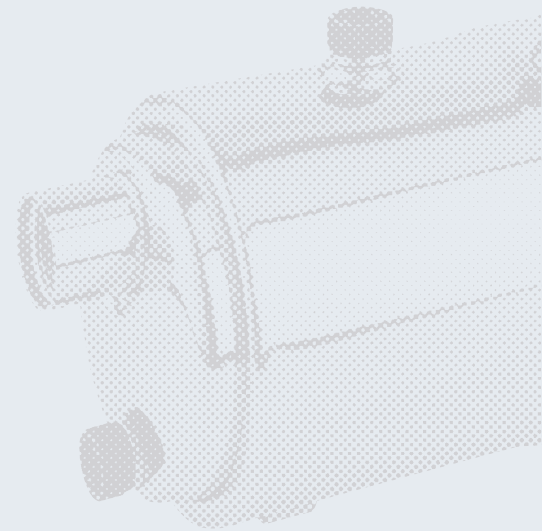
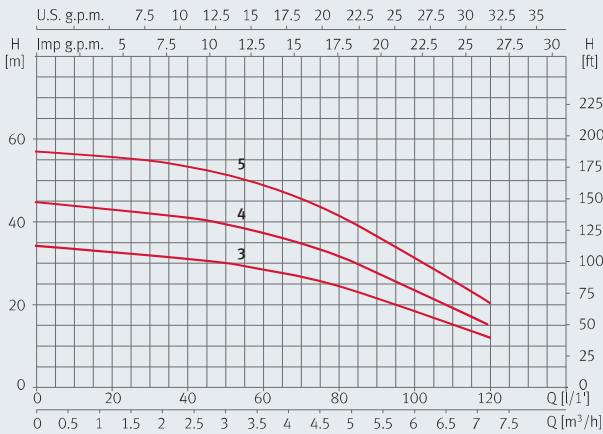
Tecno 05



Tecno 15 / Tecnoself 15



Tecno 25 / Tecnoself 25



## Hydraulic performance table

Model	I [A]	P1 [kW]	P2		c [μF]	l/min	5	10	15	20	25	30	35	37.5
			[kW]	[HP]			m³/h	0.3	0.6	0.9	1.2	1.5	1.8	2.1
Tecno 05 2	1.2	0.25	0.11	0.15	6	mwc	17.7	16.7	14.9	12.7	10.2	7.4	3	1
Tecno 05 3	1.6	0.35	0.19	0.25	6		27.5	26	23.2	20.1	17.2	12.5	7.4	4
Tecno 05 4	2	0.45	0.19	0.25	6		36	33.5	30	26.5	21.5	16	10	7

Model	I [A]			P1 [kW]		P2		c [μF]	l/min	10	20	30	35	40	50	60	65
	1~230 V	230 V	3~400 V	1~230 V	3~400 V	[kW]	[HP]			m³/h	0.6	1.2	1.8	2.1	2.4	3.0	3.6
Tecno / Tecnoself 15 3	2.74	2.1	1.21	0.61	0.61	0.37	0.5	12	mwc	32	30	26	24	22	17	10.5	7
Tecno / Tecnoself 15 4	3.53	2.3	1.3	0.79	0.7	0.55	0.75	12		43	39	35	32	27	21.5	14	9
Tecno / Tecnoself 15 5	4.13	3.3	1.9	0.95	0.94	0.75	1.0	12		51	47	42	38	34	25	17	12

Model	I [A]			P1 [kW]		P2		c [μF]	l/min	15	30	45	60	75	90	105	120
	1~230 V	230 V	3~400 V	1~230 V	3~400 V	[kW]	[HP]			m³/h	0.9	1.8	2.7	3.6	4.5	5.4	6.3
Tecno / Tecnoself 25 3	5.5			1.2	1	0.75	1	16	mwc	33	32	30.5	28	26	22	17	12
Tecno / Tecnoself 25 4	6.8	4.3	2.5	1.5	1.4	0.92	1.25	16		43	42	40	37	33	28	22	15
Tecno / Tecnoself 25 5	8.2	5.2	3	1.8	1.7	1.1	1.5	25		56	55	52.5	48	43	37	29	20