

Verderflex

Vantage 3000 B EZ



VERDERFLEX®

Verderflex Vantage 3000 B EZ Specification	
Pump head	Acetal and Polyamide, Stainless Steel Shafts, Nylatron® Rollers, Ball Race Bearings
Motor	Intermittent Duty, Permanent Magnet with Long Life Brushed Motor
Rotor	Polycarbonate with Nylatron® Rollers
Power Supply	85 - 265V AC 50/60Hz with Fuseless Resetable Switch
Speed	15 to 150 RPM
Temperature	5°C - 40°C
Protection Class	IP40
Standard Tube	Verderprene, Silicone, Tygon®, Viton®
Tube Sizes	1.6 x 1.6mm, 3.2 x 1.6mm, 4.8 x 1.6mm, 6.4 x 1.6mm and 8.0 x 1.6mm
Weight	4.5 kg
Number of Heads	Single Head

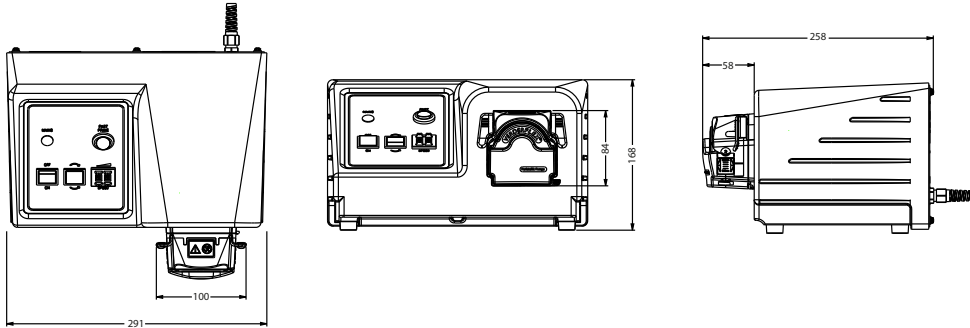
Flow Rates

Tube (ID x WT)	RPM	Flow ml/min	Flow l/hr
1.6 x 1.6 mm	15	4.3	0.26
1.6 x 1.6 mm	30	9	0.5
1.6 x 1.6 mm	75	21	1.26
1.6 x 1.6 mm	150	42	2.5
3.2 x 1.6 mm	15	16	0.96
3.2 x 1.6 mm	30	32	1.9
3.2 x 1.6 mm	75	81	4.9
3.2 x 1.6 mm	150	161	9.7
4.8 x 1.6 mm	15	35	2.1
4.8 x 1.6 mm	30	70	4.2
4.8 x 1.6 mm	75	175	10.5
4.8 x 1.6 mm	150	353	21.1
6.4 x 1.6 mm	15	56	3.36
6.4 x 1.6 mm	30	113	6.8
6.4 x 1.6 mm	75	282	16.9
6.4 x 1.6 mm	150	563	33.8
8.0 x 1.6 mm	15	79	4.74
8.0 x 1.6 mm	30	158	9.5
8.0 x 1.6 mm	75	393	23.6
8.0 x 1.6 mm	150	788	47.3

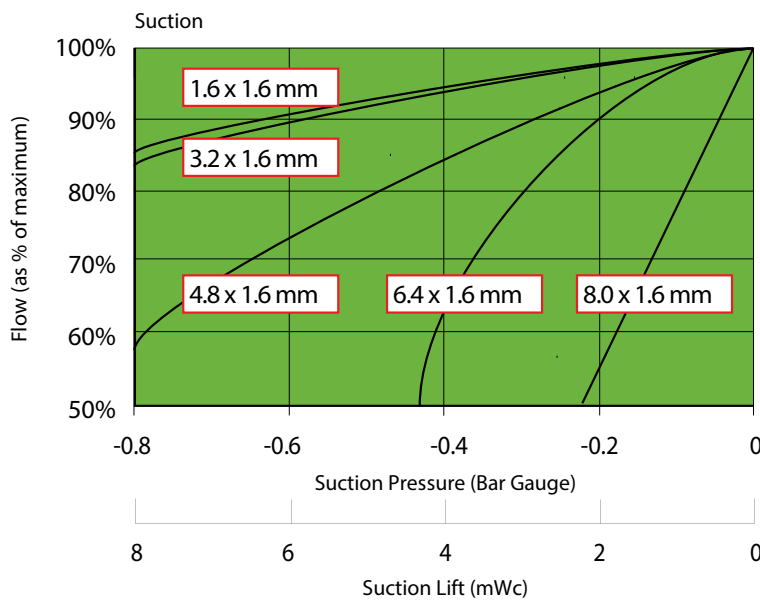
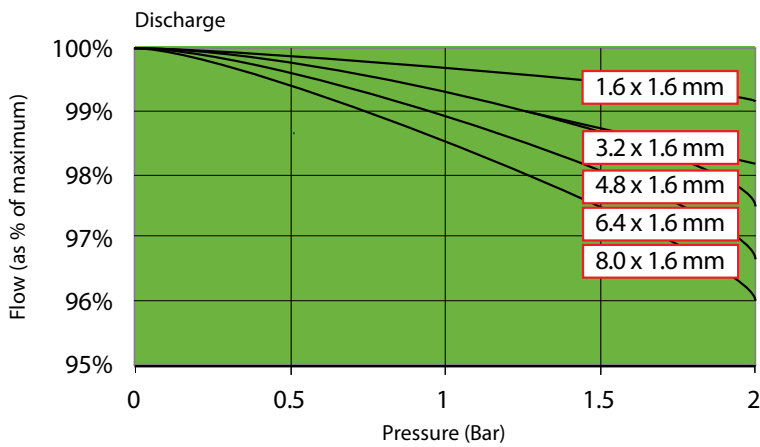
Flows are typical and were measured with water at 20°C with no suction lift or discharge pressure. Actual flows will vary according to suction conditions, discharge pressure and normal component production tolerances.



Verderflex Vantage 3000 B EZ



All dimensions are in mm.
All dimensions and weights are for guidance only.



VF_Techno_Vantage_3000_Rev03_June_2019_(eu)

Find your local supplier
at www.verderflex.com

For construction installation and floor mounting drawings
please contact your local authorised Verderflex® distributor.

VERDER
passion for pumps