

## Three pumps booster sets

### Applications

ESPA **CKE** inverter booster sets are designed to provide an efficient solution to water boosting applications where existing supplies are unreliable or insufficient to meet the demands of the building or Application. ESPA variable speed booster sets embrace the best in modern control techniques, whilst holding true to the traditional principles of quality engineering. Due to the compact design ESPA booster sets offer a small footprint in relation to performance. Installation is straightforward, with site work usually limited to connecting site pipework and the provision of a suitable electrical supply.

### Operation principle

Fully automatic variable speed operation twin pump booster set. Complete unit controlled by **ESPA ESD** Speeddrive (Variable Frequency Driver) for water supply at constant pressure. Two pumps booster set in duty –assist – assist or duty – assist - stand-by configuration. All pumps in variable speed operation. The booster set adapts the speed of the motors to the water demand in order to ensure the pressure requested at any flow demand.

The pressure of the installation is controlled at any time by a pressure transducer placed on the discharge manifold and the information provided by this instrument allows the ESPA Speeddrive to regulate the pump speed operation to the flow demand; and consequently saves energy adapting the power consumption to the water demand at any time.

### Features

- Stainless steel suction and discharge manifolds AISI 304.
- Stain chassis finished in black epoxy coating.
- WRAS approved nickel plated brass ball valves on each pump providing individual isolation if necessary.
- WRAS check valves on each pump.
- Anti-vibration mounts as standard.
- 8- 12- 24 lt. expansion vessel depending on the pumps size (WRAS Approved).
- Control panel with MCB's.
- FVC (Free volt contacts) for the external control of the alarms.
- Full documentation provided with each booster set.

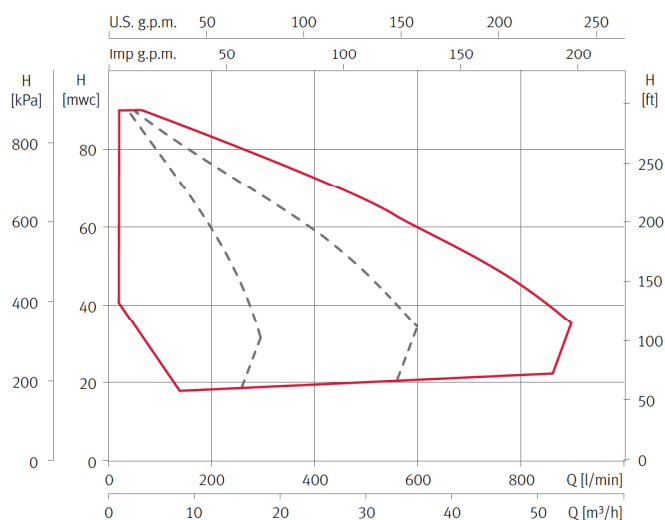
### ESPA ESD advantages

An innovative system that can be used with a variation of pump types including multistage vertical or horizontal pumps. Saves energy up to 50% silent running compact and can extend the life cycle of the pump.

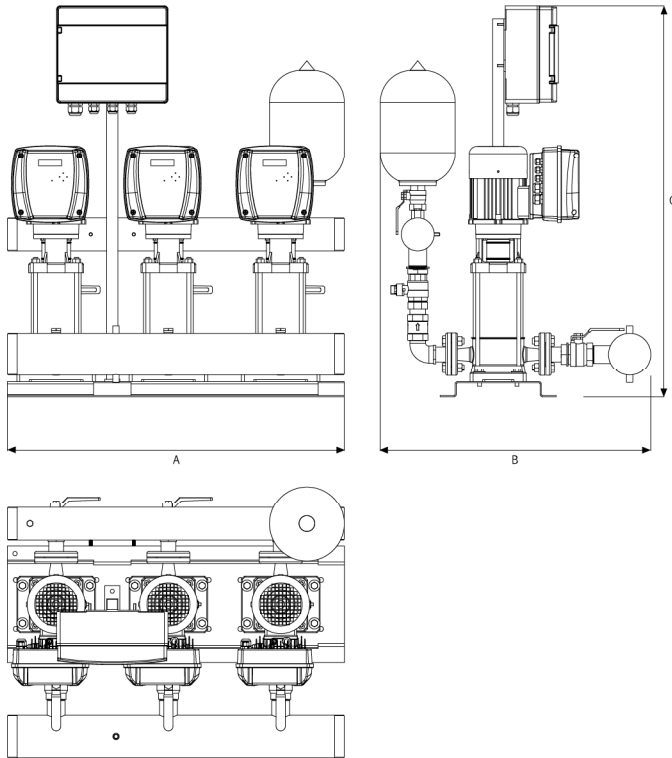


*The ESPA Engineering Application Service is ready to design and manufacture customised solutions for any required application, modifying the standard range increasing the flow, the heat or changing operation mode.*

## Hydraulic performance area CKE3



## CKE3 MULTI VS



### Technical features, dimensions and weights

Single pump sets Single-phase	Pump model	Units	P2 [kW]	Inverter	Units	Pump		Ø Valves		Ø Manifold		Dimensions			Weight	Code	Price £
						Suc.	disch.	Suct.	Disch.	Suc.	Disch.	A	B	C			
CKE3M Multi VS4 05F07 UKASP	Multi VS4 05F07	3	0.75	M2	3	25	25	1"	1"	2 1/2"	2 1/2"	1300	870	1320	151	191920	5,411.00
CKE3M Multi VS4 07F11 UKASP	Multi VS4 07F11	3	1.1	M2	3	25	25	1"	1"	2 1/2"	2 1/2"	1300	870	1320	172	191921	5,569.00
CKE3M Multi VS4 10F15 UKASP	Multi VS4 10F15	3	1.5	M2	3	25	25	1"	1"	2 1/2"	2 1/2"	1300	870	1320	183	191922	5,878.00
CKE3M Multi VS4 14F22 UKASP	Multi VS4 14F22	3	2.2	M3	3	25	25	1"	1"	2 1/2"	2 1/2"	1300	870	1320	205	191923	6,290.00
CKE3M Multi VS6 03F07 UKASP	Multi VS6 03F07	3	0.75	M2	3	32	32	1 1/4"	1 1/4"	2 1/2"	2 1/2"	1300	870	1320	163	191930	5,492.00
CKE3M Multi VS6 05F11 UKASP	Multi VS6 05F11	3	1.1	M2	3	32	32	1 1/4"	1 1/4"	2 1/2"	2 1/2"	1300	870	1320	174	191931	5,633.00
CKE3M Multi VS6 07F15 UKASP	Multi VS6 07F15	3	1.2	M2	3	32	32	1 1/4"	1 1/4"	2 1/2"	2 1/2"	1300	870	1320	190	191932	5,859.00
CKE3M Multi VS6 10F22 UKASP	Multi VS6 10F22	3	2.2	M3	3	32	32	1 1/4"	1 1/4"	2 1/2"	2 1/2"	1300	870	1320	205	191933	6,452.00
CKE3M Multi VS10 03F11 UKASP	Multi VS10 03F11	3	1.1	M2	3	40	40	1 1/2"	1 1/2"	2 1/2"	2 1/2"	1300	870	1320	195	191940	6,294.00
CKE3M Multi VS10 04F15 UKASP	Multi VS10 04F15	3	1.5	M2	3	40	40	1 1/2"	1 1/2"	2 1/2"	2 1/2"	1300	870	1320	225	191941	6,594.00

ADVANCED SOLUTIONS IN AUTOMATIC BOOSTER SETS