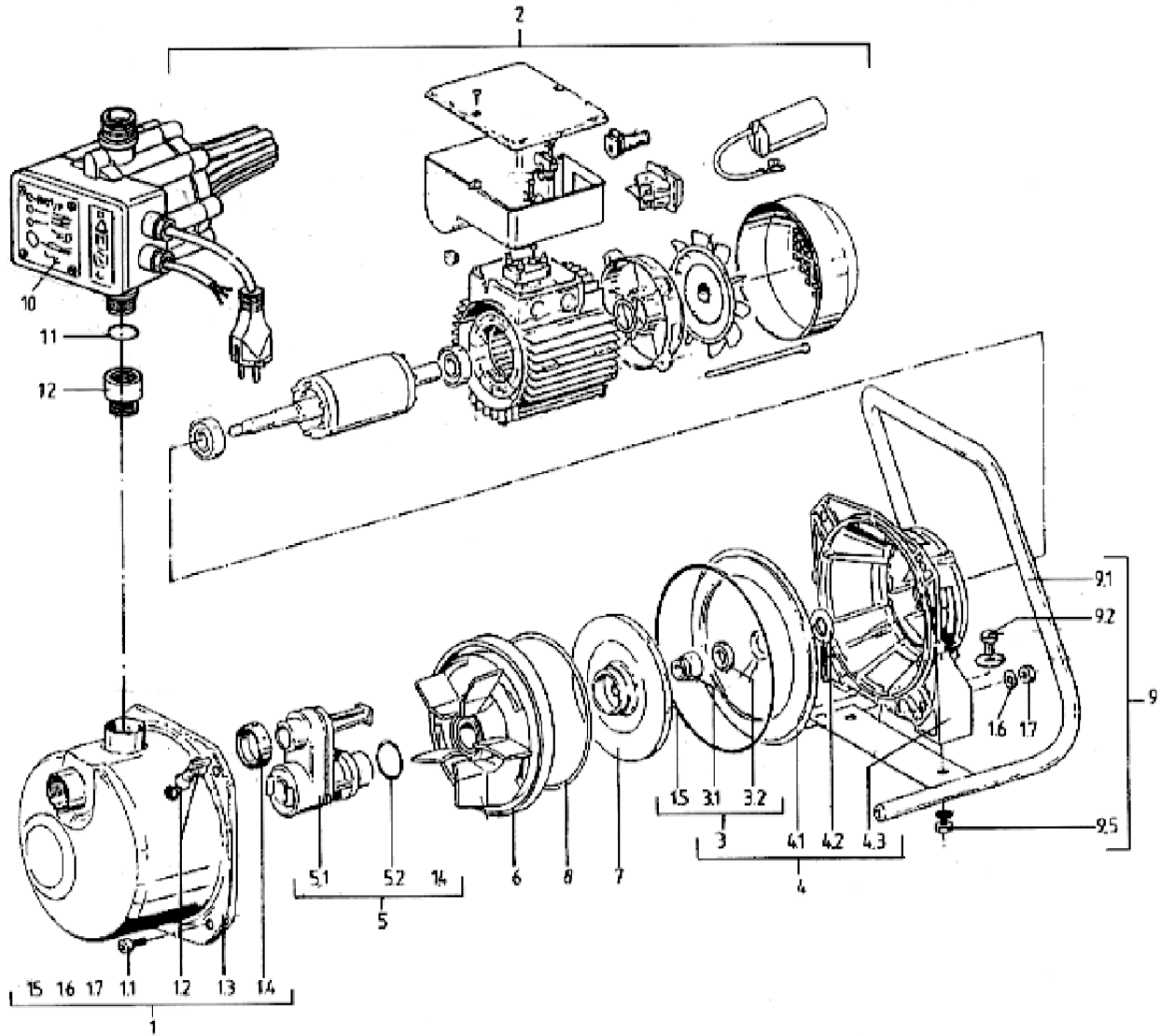




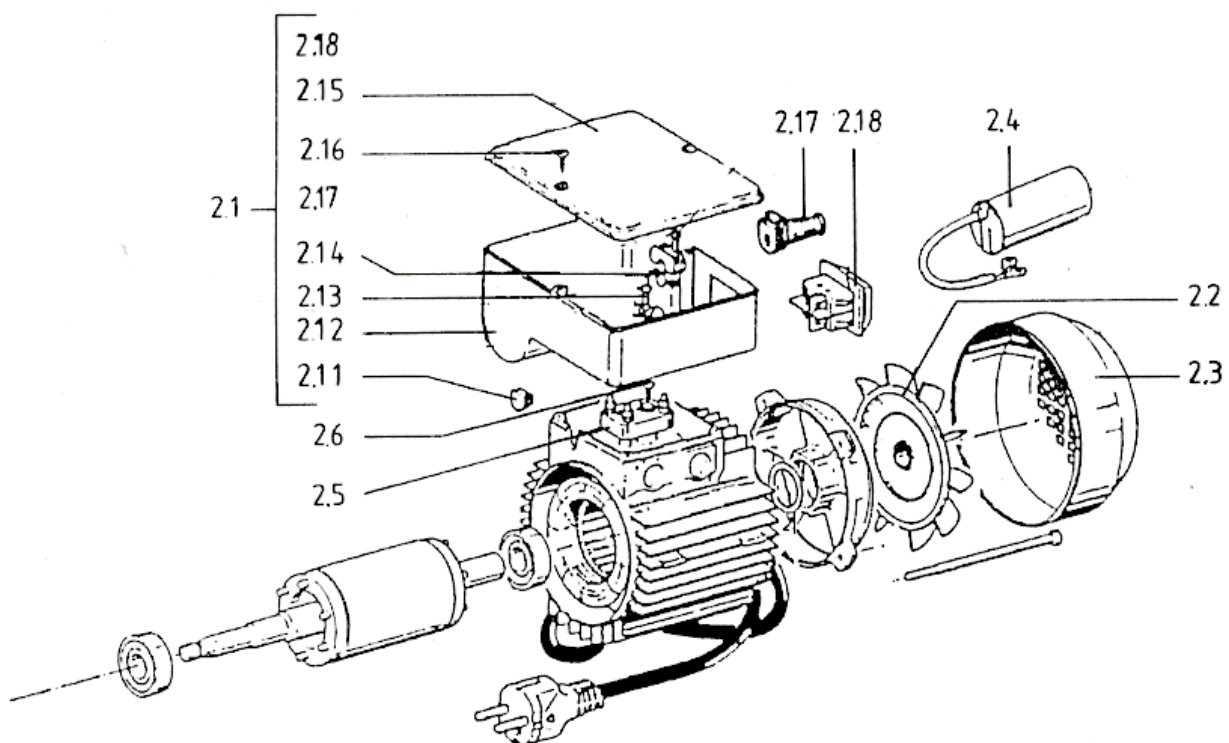
Jet-FWJ

Article no.	Description
4081525	FWJ-202-EM
4081526	FWJ-203-EM
2024949	FWJ201 EM
2024950	FWJ301 EM
2024951	FWJ401 EM



FWJ201 EM (2024949)

Item	Article no.	Description	Quantity
1	2027658	PUMP HOUSING FWJ 201 KIT	1
1.1		> SCREW WJ201 0161201	1
1.2	2020301	> SCREW PLUG WJ201-401 1/4" KIT	1
1.3		> PUMP HOUSING FWJ201 7106304	1
1.4	2003981	> GASKET WJ 201 7201536	1
1.5	2003966	> O-RING WJ 201/301/401 1311537	1
1.6		> DISC WJ201 0830131	1
1.7		> NUT WJ 201-401 0650091	1
2		SPARE PARTS MOTOR 0,8/2 1~230 WJ/FWJ201	1
3	2003950	MECHANICAL SEAL WJ 201-401 KIT	1
1.5	2003966	> O-RING WJ 201/301/401 1311537	1
3.1		> MECH.SEAL FESTT.WJ201-401 3090809	1
3.2		> MECH.SEAL ROTIE.WJ201-401 3090479	1
4	2003952	PUMP FOOT WJ 201 KIT	1
1.5	2003966	> O-RING WJ 201/301/401 1311537	1
3.1		> MECH.SEAL FESTT.WJ201-401 3090809	1
3.2		> MECH.SEAL ROTIE.WJ201-401 3090479	1
4.1		> PUMP FLANGE WJ201-401 7103121	1
4.2		> RUBBER SLEEVE WJ 201/301/401 7103833	1
4.3		> PUMP FOOT WJ201 7103398	1
5	2004481	VENTURI-PIPE WJ 201 KIT	1
1.4	2003981	> GASKET WJ 201 7201536	1
5.1		> VENTURI-PIPE WJ201 7104209	1
5.2	2004473	> O-RING WJ201/301/401 1310877	1
6	2161083	Diffusor disc WJ VP.	1
7	2003979	IMPELLER WJ 201 7104855	1
8	2004449	GASKET WJ 201/301/401 1311487	1
9	2020312	HANDLE WJ201-401 FROM7/97 KIT	1
9.1		> HANDLE WJ201-401 7101216	1
9.2		> SCREW WJ201-401 7105280	1
9.5		> NUT WJ 201-401 7105281	1
10	2027661	FLUIDCONTROL FWJ201/301/401 EM 7107228	1
11	2027662	O-RING ID.23,4X3,53 1310827	1
12	2027663	PIPE UNION 1"X1" 7202203	1



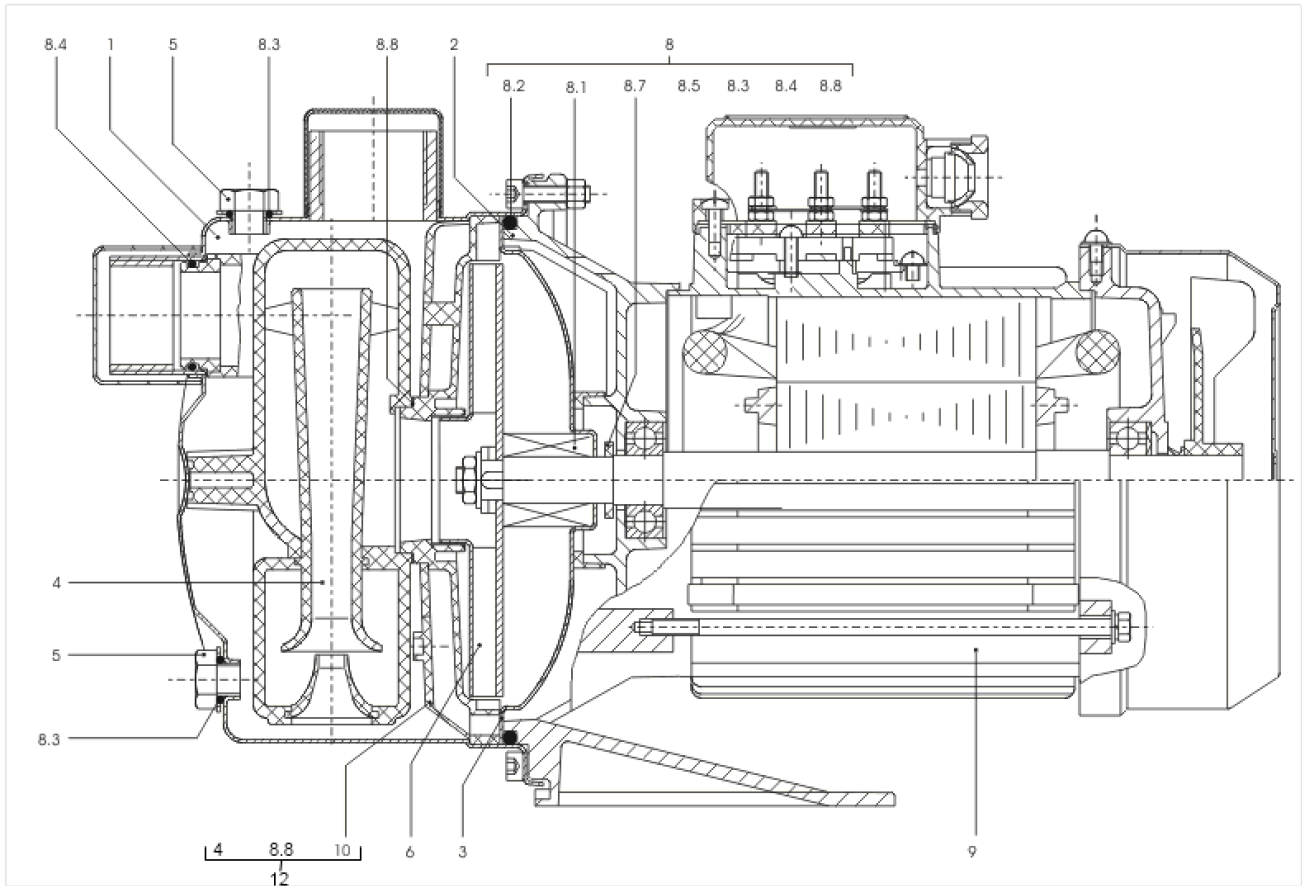
SPARE PARTS MOTOR 0,8/2 1~230 WJ/FWJ201

Item	Article no.	Description	Quantity
2.1	2020307	TERMINAL BOX WJ201-401 1~230 FROM7/97KIT	1
2.11		> SCREW KBR.WJ201-401 0360341	1
2.12		> HOUSING TERMINAL BOX WJ 201-401 7105292	1
2.13		> CABLE FRH.WJ 201-401 7003189	1
2.14		> CABLE HT.WJ 201-401 7002011	1
2.15	2020309	> COVER GH.WJ201/301/401EM 7105295 AB7/97	1
2.16	2020310	> SCREW KKD.WJ201-401 0290241 AB7/97	1
2.17	2003971	> CABLE FRH.WJ 201/301/401 7103831	1
2.18	2161090	> Switch WJ201/301/401EM from 7/97 VP.	1
2.2	2003977	FAN WHEEL WJ 201 EM 7201246	1
2.3	2003978	FAN HOUSING WJ 201 EM 7201458	1
2.4	2003974	CAPACITOR WJ 201 EM 7102235	1
2.5	2004450	TERMINAL BOARD WJ 201/301/401 EM 3000319	1
2.6	2004453	SCREW KBR.WJ201-401 0360341	1



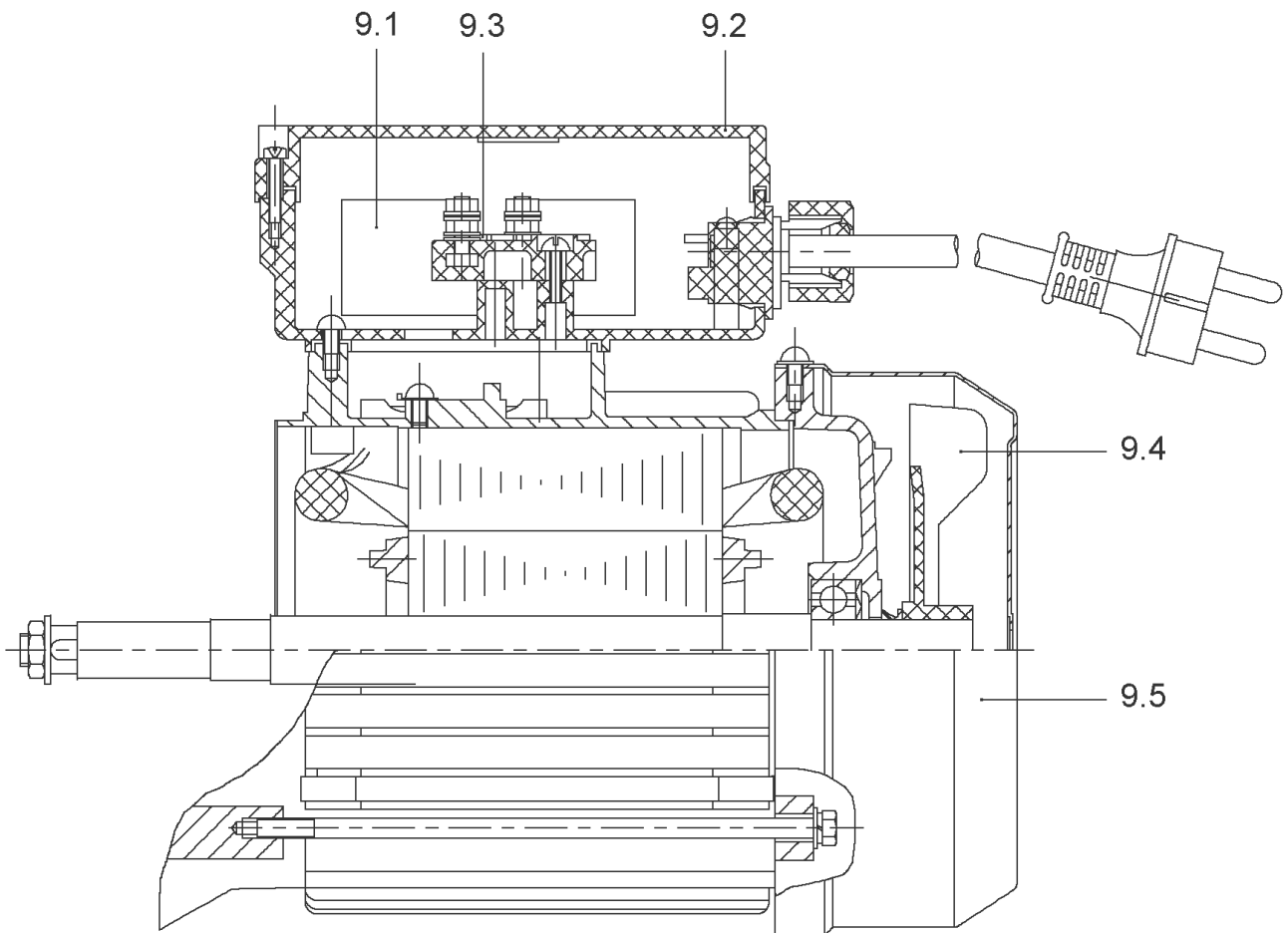
FWJ-202-EM (4081525)

Item	Article no.	Description	Quantity
1		WJ-202-EM-MOD	1
Note: accessories see price list /Zubehör siehe Preisliste /accessoires voir la liste des prix			
2		WILO-FLUIDCONTROL 2,2	1
Note: accessories see price list /Zubehörsiehe Preisliste /accessoires voir la			
3	4014666	GF341-LAITON-1"-UNION-M/F	1
4	2027588	CONNECTION CABEL 3X1,5X3000 W.PLUG(RWN)	1
5	2042854	CABLE 1-230V VP.	1
6	4233941	HANDLE WJ JETSON M10X1.25 VP.	1



WJ-202-EM-MOD

Item	Article no.	Description	Quantity
1	4185704	PUMP BODY WJ202/203-X-VP	1
2	4083520	BEARING BRACKET LANTERN JETSON 1-2	1
3	4083521	STATIONARY RING HOLDER	1
4	4083524	EJECTOR JETSON	1
5	4233940	PLUG WJ JETSON M10X1.25 VP.	1
6	2051215	IMPELLER/KEY WJ-202-X-EM	1
8	4084613	MECHANICAL SEAL O-RING KIT WJ PUMP	1
8.1		> MECHANICAL SEAL JETSON	1
8.2		> O-RING BODY HOLDER	1
8.3	4233948	> O-RING UNDER PLUG VP.	1
8.4	4083529	> O-RING BODY EJECTOR	1
8.5		> TERMINAL BOX GASKET	1
8.6		> TOP TERMINAL BOX O RING	1
8.7		> DEFLECTOR	1
8.8	4092498	> SEAL RUBBER WASHER - 2543	1
9		SPARE PARTS MOTOR WJ202-203-EM-MOD	1
10	4087697	GUIDE VANE JETSON	1
12	4188812	INJECTOR DIFFUSOR WJ 202 - 203 KIT	1
10	4087697	> GUIDE VANE JETSON	1
4	4083524	> EJECTOR JETSON	1
8.8	4092498	> SEAL RUBBER WASHER - 2543	1



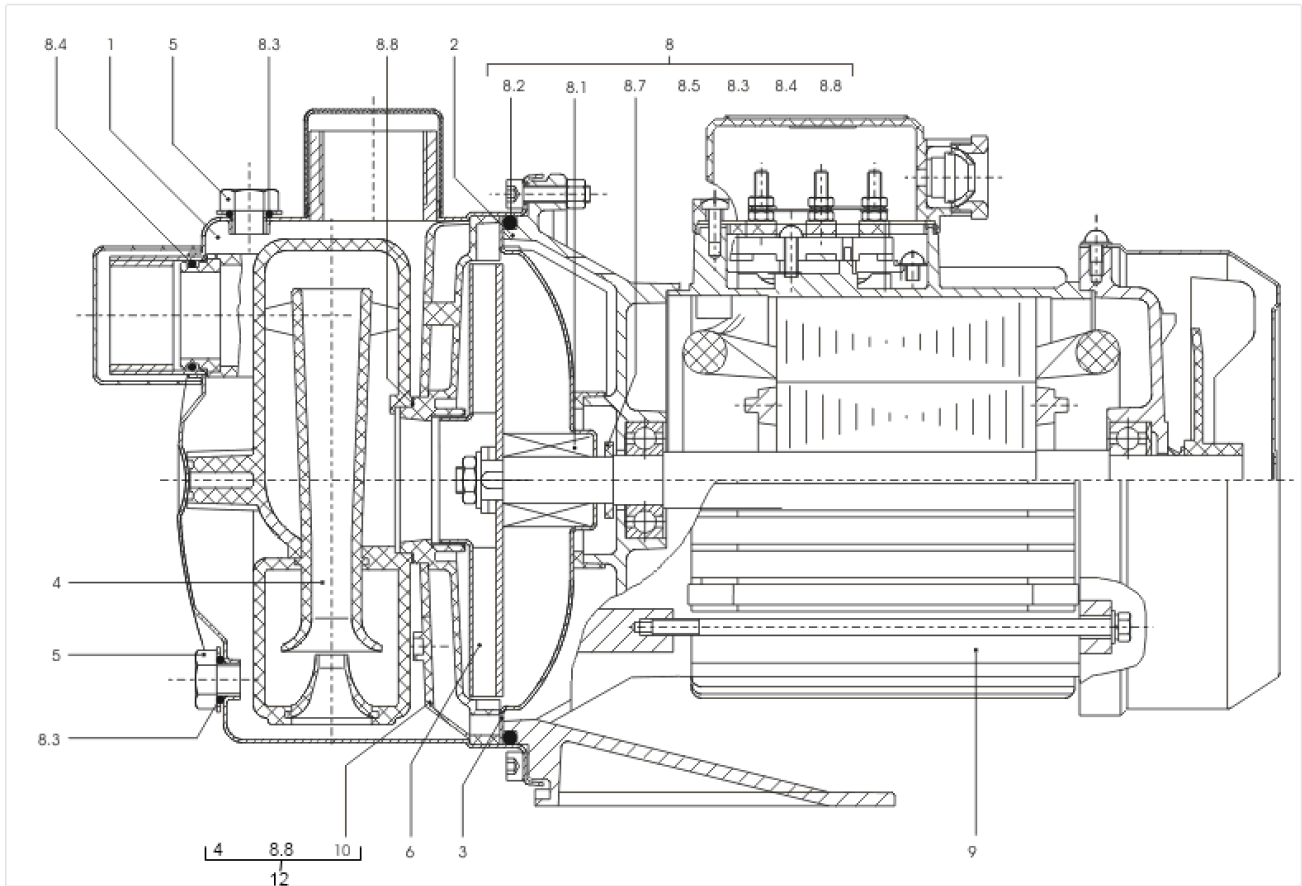
SPARE PARTS MOTOR WJ202-203-EM-MOD

Item	Article no.	Description	Quantity
9.1	4233939	CAPACITOR 20 μ F VP.	1
9.2	2127355	TERMINAL BOX WJ202/203-MOD VP.	1
9.3	4083532	TERMINAL BOARD WJ202-203-204-EM	1
9.4	4083533	FAN JETSON	1
9.5	4083537	FAN COVER JETSON	1



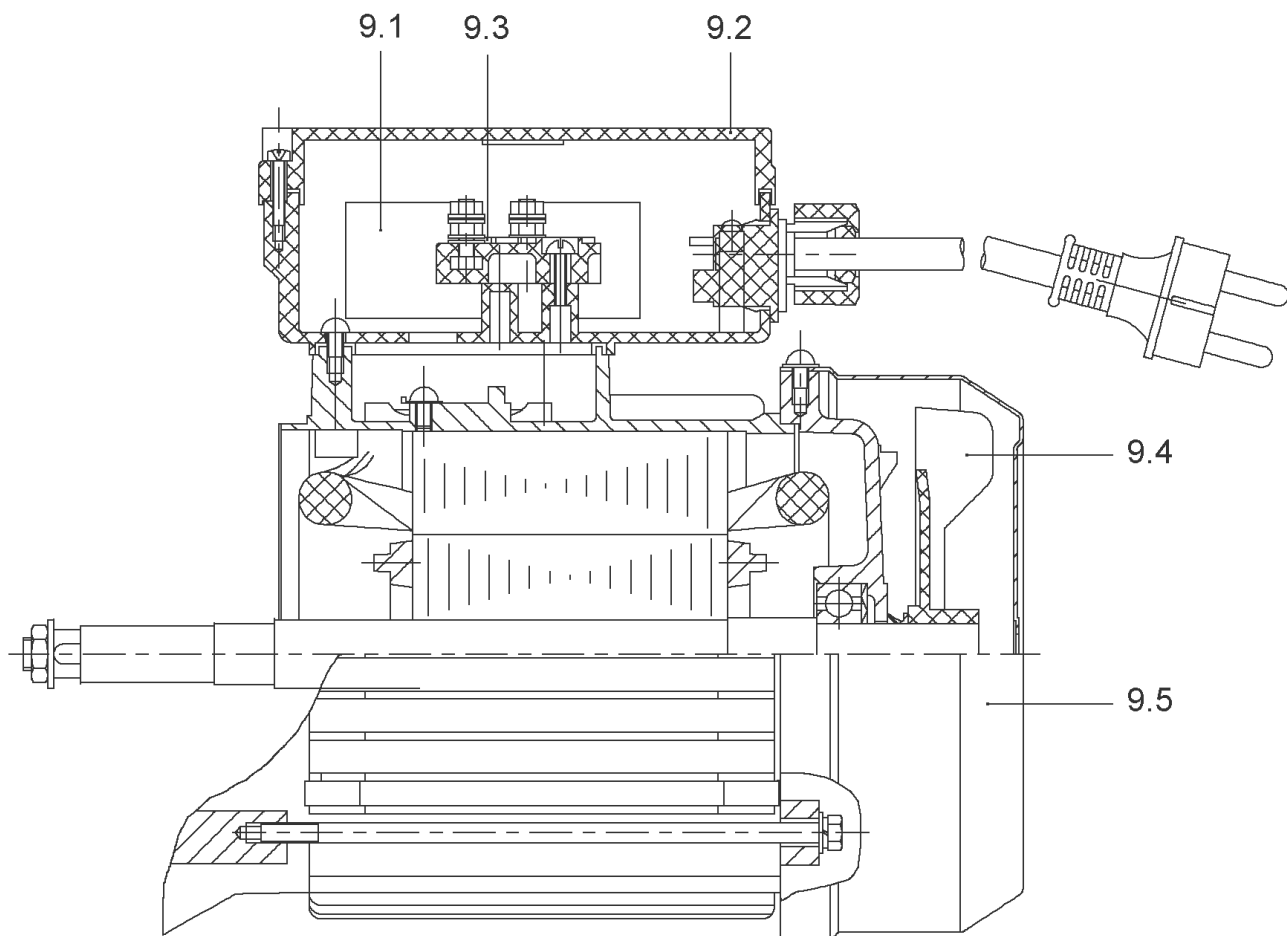
FWJ-203-EM (4081526)

Item	Article no.	Description	Quantity
1		WJ-203-EM-MOD	1
Note: accessories see price list /Zubehör siehe Preisliste /accessoires voir la liste des prix			
2		WILO-FLUIDCONTROL 2,2	1
Note: accessories see price list /Zubehörsiehe Preisliste /accessoires voir la			
3	4014666	GF341-LAITON-1"-UNION-M/F	1
4	2027588	CONNECTION CABEL 3X1,5X3000 W.PLUG(RWN)	1
5	2042854	CABLE 1-230V VP.	1
6	4233941	HANDLE WJ JETSON M10X1.25 VP.	1



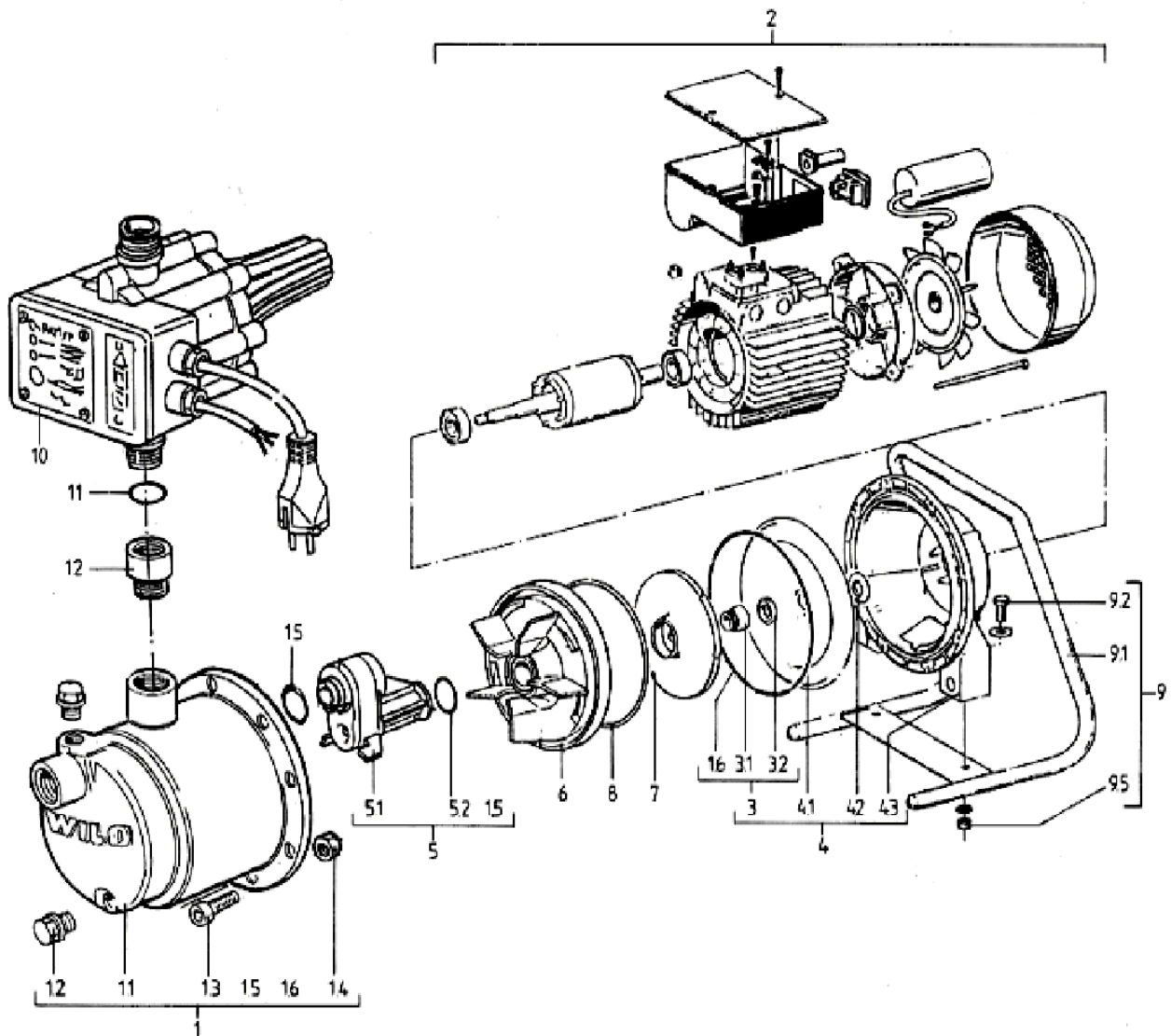
WJ-203-EM-MOD

Item	Article no.	Description	Quantity
1	4185704	PUMP BODY WJ202/203-X-VP	1
2	4083520	BEARING BRACKET LANTERN JETSON 1-2	1
3	4083521	STATIONARY RING HOLDER	1
4	4083524	EJECTOR JETSON	1
5	4233940	PLUG WJ JETSON M10X1.25 VP.	1
6	2051216	IMPELLER/KEY WJ-203-X-EM/DM	1
8	4084613	MECHANICAL SEAL O-RING KIT WJ PUMP	1
8.1		> MECHANICAL SEAL JETSON	1
8.2		> O-RING BODY HOLDER	1
8.3	4233948	> O-RING UNDER PLUG VP.	1
8.4	4083529	> O-RING BODY EJECTOR	1
8.5		> TERMINAL BOX GASKET	1
8.6		> TOP TERMINAL BOX O RING	1
8.7		> DEFLECTOR	1
8.8	4092498	> SEAL RUBBER WASHER - 2543	1
9		SPARE PARTS MOTOR WJ202-203-EM-MOD	1
10	4087697	GUIDE VANE JETSON	1
12	4188812	INJECTOR DIFFUSOR WJ 202 - 203 KIT	1
10	4087697	> GUIDE VANE JETSON	1
4	4083524	> EJECTOR JETSON	1
8.8	4092498	> SEAL RUBBER WASHER - 2543	1



SPARE PARTS MOTOR WJ202-203-EM-MOD

Item	Article no.	Description	Quantity
9.1	4233939	CAPACITOR 20 μ F VP.	1
9.2	2127355	TERMINAL BOX WJ202/203-MOD VP.	1
9.3	4083532	TERMINAL BOARD WJ202-203-204-EM	1
9.4	4083533	FAN JETSON	1
9.5	4083537	FAN COVER JETSON	1

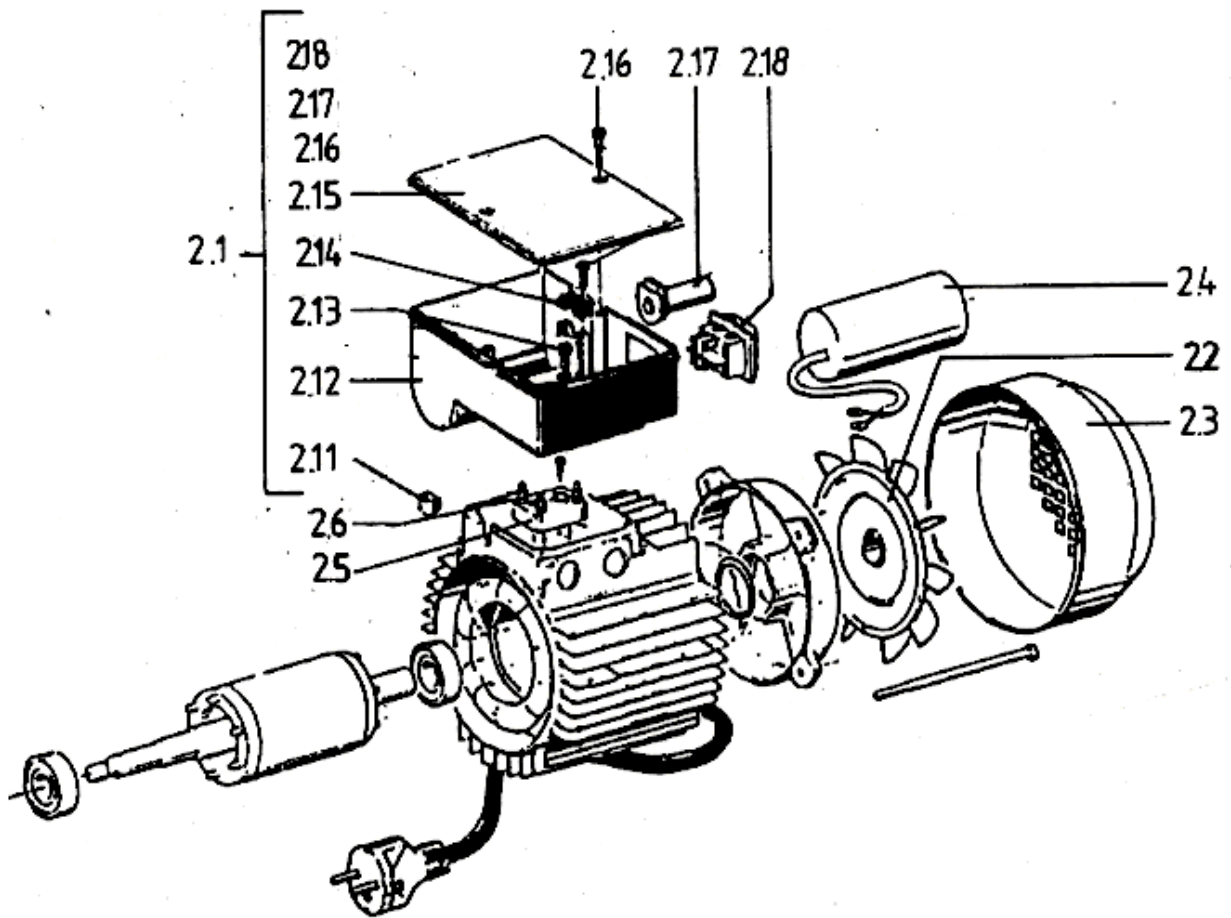


FWJ301 EM (2024950)

Item	Article no.	Description	Quantity
1	2027666	PUMP HOUSING FWJ 301/401 KIT	1
1.1		> PUMP HOUSING WJ301/401 7105940	1
1.2	2027667	> SCREW PLUG FWJ301/401 KIT	1
1.3		> SCREW WJ301/401 0160812	1
1.4		> NUT WJ 301/401 0640052	1
1.5	2020320	> O-RING WJ 301/401 1310517 AB9/97	1
1.6	2003966	> O-RING WJ 201/301/401 1311537	1
2		SPARE PARTS MOTOR 1,1/2 1~230 FWJ301/401	1
3	2003950	MECHANICAL SEAL WJ 201-401 KIT	1
1.5	2003966	> O-RING WJ 201/301/401 1311537	1
3.1		> MECH.SEAL FESTT.WJ201-401 3090809	1
3.2		> MECH.SEAL ROTIE.WJ201-401 3090479	1
4	2020323	PUMP FOOT WJ 301/401 KIT	1
Note: TO/ BIS/ JUSQU'À: 03/00			
1.6	2003966	> O-RING WJ 201/301/401 1311537	1
3.1		> MECH.SEAL FESTT.WJ201-401 3090809	1
3.2		> MECH.SEAL ROTIE.WJ201-401 3090479	1
4.1		> PUMP FLANGE WJ201-401 7105090	1
4.2		> RUBBER SLEEVE WJ 201/301/401 7103833	1
4.3		> PUMP FOOT WJ301/401 7106190	1
	2031590	PUMP FOOT WJ 301 KIT	1
Note: FROM/ AB/ À PARTIR: 04/00			
1.6	2003966	> O-RING WJ 201/301/401 1311537	1
3.1		> MECH.SEAL FESTT.WJ201-401 3090809	1
3.2		> MECH.SEAL ROTIE.WJ201-401 3090479	1
4.1		> PUMP FLANGE WJ301 7107400	1
4.2		> RUBBER SLEEVE WJ 201/301/401 7103833	1
4.3		> PUMP FOOT WJ301 7107404	1
5	2020325	VENTURI-PIPE WJ301/401 FROM 7/97 KIT	1
1.5	2020320	> O-RING WJ 301/401 1310517 AB9/97	1
5.1		> VENTURI-PIPE WJ301/401 7105942	1
5.2	2020370	> O-RING WJ301/401 1310237 FROM7/97	1
6	2161083	Diffusor disc WJ VP.	1
7	2020327	IMPELLER WJ301/401 7105509	1

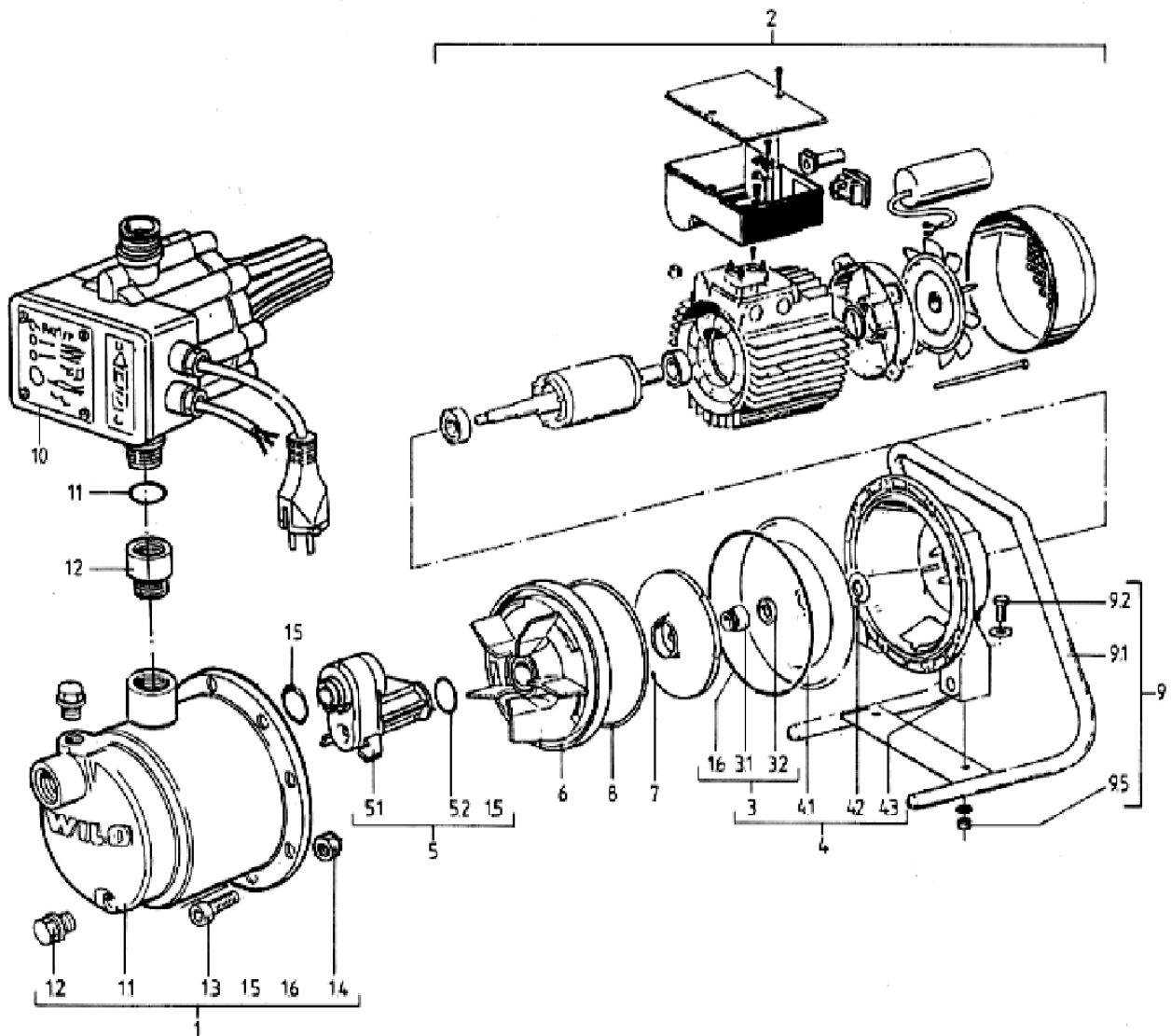
FWJ301 EM (2024950)

Item	Article no.	Description	Quantity
8	2004449	GASKET WJ 201/301/401 1311487	1
9	2020312	HANDLE WJ201-401 FROM7/97 KIT	1
9.1		> HANDLE WJ201-401 7101216	1
9.2		> SCREW WJ201-401 7105280	1
9.5		> NUT WJ 201-401 7105281	1
10	2027661	FLUIDCONTROL FWJ201/301/401 EM 7107228	1
11	2027662	O-RING ID.23,4X3,53 1310827	1
12	2027663	PIPE UNION 1"X1" 7202203	1



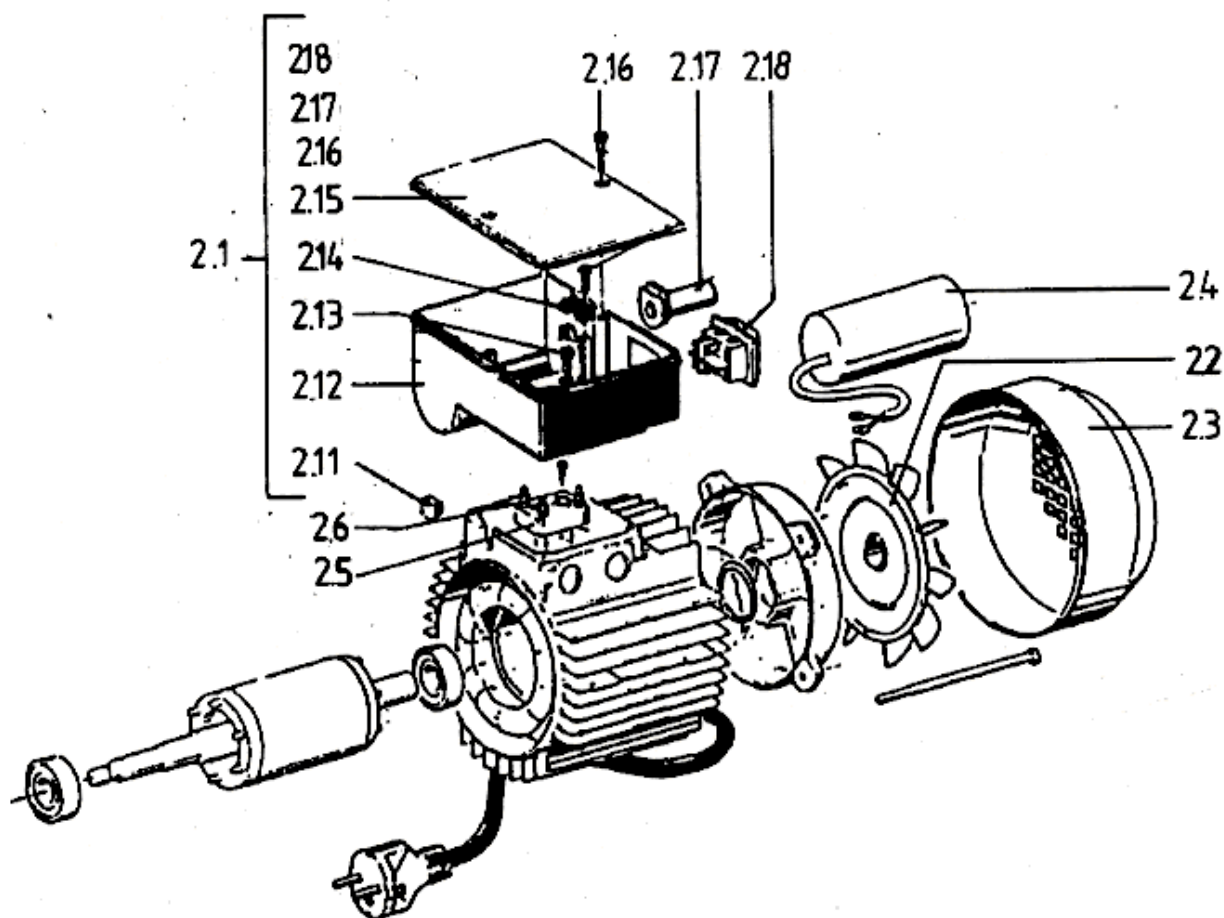
SPARE PARTS MOTOR 1,1/2 1~230 FWJ301/401

Item	Article no.	Description	Quantity
2.1	2020307	TERMINAL BOX WJ201-401 1~230 FROM7/97KIT	1
2.11		> SCREW KBR.WJ201-401 0360341	1
2.12		> HOUSING TERMINAL BOX WJ 201-401 7105292	1
2.13		> CABLE FRH.WJ 201-401 7003189	1
2.14		> CABLE HT.WJ 201-401 7002011	1
2.15	2020309	> COVER GH.WJ201/301/401EM 7105295 AB7/97	1
2.16	2020310	> SCREW KKD.WJ201-401 0290241 AB7/97	1
2.17	2003971	> CABLE FRH.WJ 201/301/401 7103831	1
2.18	2161090	> Switch WJ201/301/401EM from 7/97 VP.	1
2.2	2003975	FAN WHEEL WJ 301/401 7101796	1
2.3	2020324	FAN HOUSING WJ301/401 7105670 FROM7/97	1
2.4	2003973	CAPACITOR WJ 301/401 EM 7102236	1
2.5	2004450	TERMINAL BOARD WJ 201/301/401 EM 3000319	1
2.6	2004453	SCREW KBR.WJ201-401 0360341	1



FWJ401 EM (2024951)

Item	Article no.	Description	Quantity
1	2027666	PUMP HOUSING FWJ 301/401 KIT	1
1.1		> PUMP HOUSING WJ301/401 7105940	1
1.2	2027667	> SCREW PLUG FWJ301/401 KIT	1
1.3		> SCREW WJ301/401 0160812	1
1.4		> NUT WJ 301/401 0640052	1
1.5	2020320	> O-RING WJ 301/401 1310517 AB9/97	1
1.6	2003966	> O-RING WJ 201/301/401 1311537	1
2		SPARE PARTS MOTOR 1,1/2 1~230 FWJ301/401	1
3	2003950	MECHANICAL SEAL WJ 201-401 KIT	1
1.5	2003966	> O-RING WJ 201/301/401 1311537	1
3.1		> MECH.SEAL FESTT.WJ201-401 3090809	1
3.2		> MECH.SEAL ROTIE.WJ201-401 3090479	1
4	2020323	PUMP FOOT WJ 301/401 KIT	1
1.6	2003966	> O-RING WJ 201/301/401 1311537	1
3.1		> MECH.SEAL FESTT.WJ201-401 3090809	1
3.2		> MECH.SEAL ROTIE.WJ201-401 3090479	1
4.1		> PUMP FLANGE WJ201-401 7105090	1
4.2		> RUBBER SLEEVE WJ 201/301/401 7103833	1
4.3		> PUMP FOOT WJ301/401 7106190	1
5	2020325	VENTURI-PIPE WJ301/401 FROM 7/97 KIT	1
1.5	2020320	> O-RING WJ 301/401 1310517 AB9/97	1
5.1		> VENTURI-PIPE WJ301/401 7105942	1
5.2	2020370	> O-RING WJ301/401 1310237 FROM7/97	1
6	2161083	Diffusor disc WJ VP.	1
7	2020327	IMPELLER WJ301/401 7105509	1
8	2004449	GASKET WJ 201/301/401 1311487	1
9	2020312	HANDLE WJ201-401 FROM7/97 KIT	1
9.1		> HANDLE WJ201-401 7101216	1
9.2		> SCREW WJ201-401 7105280	1
9.5		> NUT WJ 201-401 7105281	1
10	2027661	FLUIDCONTROL FWJ201/301/401 EM 7107228	1
11	2027662	O-RING ID.23,4X3,53 1310827	1
12	2027663	PIPE UNION 1"X1" 7202203	1



SPARE PARTS MOTOR 1,1/2 1~230 FWJ301/401

Item	Article no.	Description	Quantity
2.1	2020307	TERMINAL BOX WJ201-401 1~230 FROM7/97KIT	1
2.11		> SCREW KBR.WJ201-401 0360341	1
2.12		> HOUSING TERMINAL BOX WJ 201-401 7105292	1
2.13		> CABLE FRH.WJ 201-401 7003189	1
2.14		> CABLE HT.WJ 201-401 7002011	1
2.15	2020309	> COVER GH.WJ201/301/401EM 7105295 AB7/97	1
2.16	2020310	> SCREW KKD.WJ201-401 0290241 AB7/97	1
2.17	2003971	> CABLE FRH.WJ 201/301/401 7103831	1
2.18	2161090	> Switch WJ201/301/401EM from 7/97 VP.	1
2.2	2003975	FAN WHEEL WJ 301/401 7101796	1
2.3	2020324	FAN HOUSING WJ301/401 7105670 FROM7/97	1
2.4	2003973	CAPACITOR WJ 301/401 EM 7102236	1
2.5	2004450	TERMINAL BOARD WJ 201/301/401 EM 3000319	1
2.6	2004453	SCREW KBR.WJ201-401 0360341	1