

Jacket cooled submersible drainage pump for clear and waste water, for permanent operation.

C 135 W

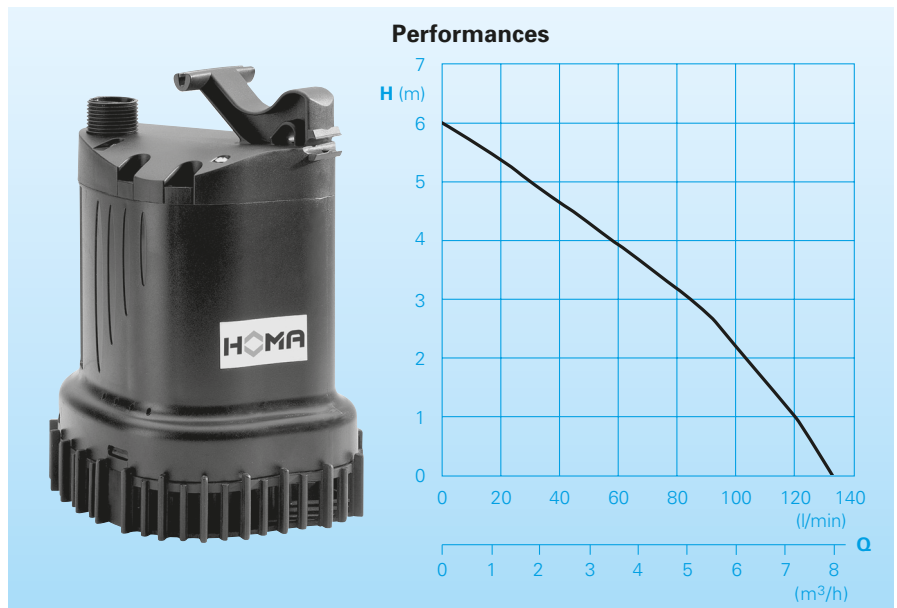
Application

The C 135 W pump is suitable for water circulation in garden ponds and cascades, irrigation, water transfer and drainage in clear or waste water. The water jacket cooled motor with the top discharge protects the motor against overheating even during sip operation.

Installation: Permanent or transportable.

Fördermedium: Clear or waste water containing soft solids with a diameter of max. 8mm. Max liquid temperature 35°C, short term up to 60°C.

Operation: Permanent (S1).



Design

Fully submersible pump consisting of:

Pump: Single stage submersible pump with vertical discharge BSP 1" M.

Impeller: Vortex impeller, spherical clearance 8 mm, self-cleaning in case of blocked impeller by short-term reverse running of the motor.

Motor: Canned wet-rotor, seal-less, rotor shaft lubricated by pumped liquid. Insulation class B.

Motor protection IP 68.

Shaft/Bearing: Stainless steel/ceramic shaft, slide bearing.

Cable: H05RN-F3G0,75

Technical Data

Pump type	Motor-input P ₁ (kW)	Motor-output P ₂ (kW)	Voltage 50 Hz (V)	Nominal current (A)	Cable length (m)	Weight (kg)
C135 W	0,14	0,1	230-240/1Ph	0,9	10	3,5

Speed: 2900 rpm

Discharge: G 1" M

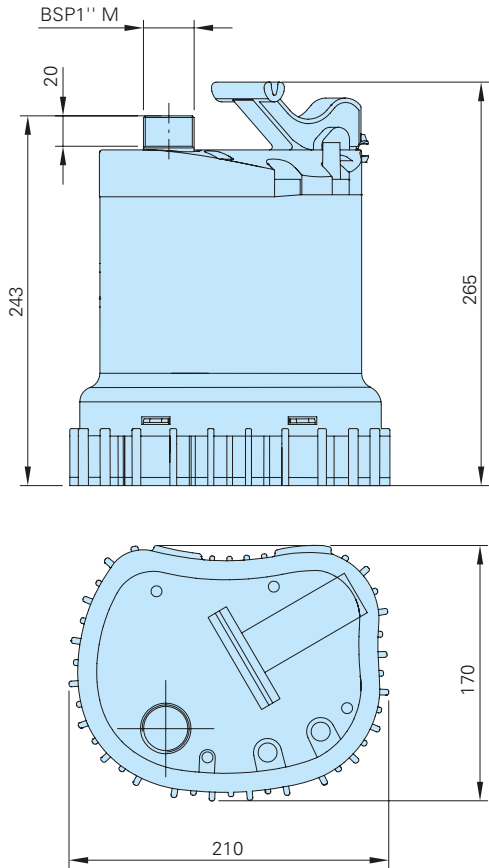
Materials

Motor housing, Motor shaft, Screws	Stainless steel
Suction sieve, Pump housing	Wear synthetic resistant material (composite)
Impeller	Glas-fibre reinforced synthetic material (composite)
Elastomere	NBR

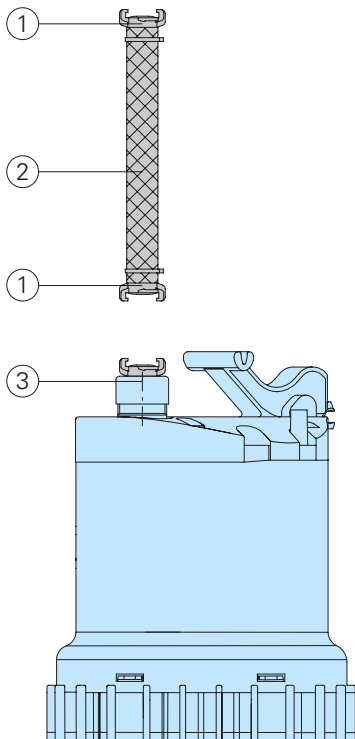
Equipement supplied

Pump with 10 m of cable and plug.

Dimensions (all dimensions in mm)



Accessoires



Part Description	Dimension	Part No.	Part Description	Dimension	Part No.
① Brass hose coupling	1"	2003313	○HOMA Nivomatik float switch control, conversion unit – for 230-240 V / 1 Ph AZW 10/5 AZW 10/10	5 m of cable	1435055
② PVC hose, per m	1" Ø	2621000		10 m of cable	1435105
Reinforced hose, per m	1" Ø	2632025			
Hose band	3/4"-1"	2302330			
③ Brass fixed coupling	BSP 1" F	2005323	○HOMA 2 poles earth Leakage circuit breaker Fi 16/0,03 A		1561160
			○Alarm device AL 3 Mains operated with connector for battery 9V (see below) for mains independent operation with integrated buzzer. Mains connection 230-240 V / 1 Ph		1586140
			Battery for mains-independent operation 9V		1952215
			Float switch MB, mercury free, on or off, with integrated counter weight. Cable length	6 m 10 m	1465706 1465710



HOMA Pumpenfabrik GmbH
 P.O.Box 2263, D-53814 Neunk.-Seelscheid
 Tel. +49 (0) 22 47/702-0, Fax +49 (0) 22 47/702-44
 e-mail: info@homa-pumpen.de
 www.homapumps.com