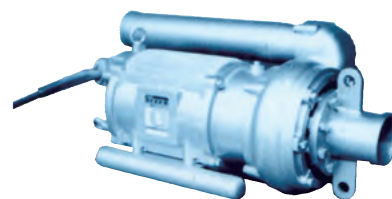


TOYO AMPHIBIOUS AGITATOR SAND PUMP

VH/VHG/XZ (BOOSTER)



DISCHARGE BORE	50~150mm
OUTPUT	2.2~22kw
SOLID SIZE	25~80mm

FEATURE

- Best for booster pump for propulsion work. Various sizes are available.

SPECIFICATION

MODEL	BORE (mm)	STANDARD		SOLID SIZE (mm)	OUTPUT (kW)	POLE (P)	WEIGHT (kg)	CABTYRE CABLE 10m (symbol x mm ² x core)
		HEAD (m)	CAPACITY (m ³ /min)					
XZ-4 *	50	8	0.2	25	3	4	71	3PNCT×5.5 [#] ×4C
XZ-4-65 *	65	8	0.25	35	3	4	80	3PNCT×5.5 [#] ×4C
XZ-3W *	50	4	0.2	35	2.2	4	100	3PNCT×5.5 [#] ×4C
XZ-5-80 *	80	9	0.5	35	3.7	4	120	3PNCT×5.5 [#] ×4C
VH-3-3DP	80	7	0.5	30	2.2	4	140	3PNCT×5.5 [#] ×4C
VH-5-3DP	80	12	0.5	30	3.7	4	155	3PNCT×5.5 [#] ×4C
VH-7.5-3DP	100	10	1.2	60	5.5	4	205	3PNCT×5.5 [#] ×4C
VH-10-3DP	100	12	1.2	60	7.5	4	255	3PNCT×8 [#] ×4C
VH-10-3K *	100	6	1.3	48	7.5	4	225	3PNCT×8 [#] ×4C
VH-10-3K *	100	9	1.3	60	7.5	4	225	3PNCT×8 [#] ×4C
VHG-10-3KS *	100	8	1.5	35	7.5	4	225	3PNCT×8 [#] ×4C
VHG-15-6K *	100	13	1.2	60	11	4	340	3PNCT×8 [#] ×4C
VHG-20-6K *	100	17	1.2	60	15	4	390	3PNCT×14 [#] ×4C
VH-27 *	100	22	1.5	70	20	4	450	3PNCT×38 [#] ×3C+3.5 [#] 1C
VH-27H	100	30	1.5	42	20	4	450	3PNCT×38 [#] ×3C+3.5 [#] 1C
VH-27B	150	17	3	70	20	4	450	3PNCT×38 [#] ×3C+3.5 [#] 1C
VHG-15-6DP	100	15	1.2	60	11	4	340	3PNCT×8 [#] ×4C
VHG-15B-6DP	150	10	2.5	60	11	4	325	3PNCT×8 [#] ×4C
VHG-20-6DP	100	20	1.2	60	15	4	390	3PNCT×14 [#] ×4C
VHG-20B-6DP	150	15	2.5	60	15	4	375	3PNCT×14 [#] ×4C
VHG-30-6DP	100	26	1.2	70	22	4	590	3PNCT×38 [#] ×3C+3.5 [#] 1C
VHG-30B-6DP	150	20	2.5	80	22	4	575	3PNCT×38 [#] ×3C+3.5 [#] 1C

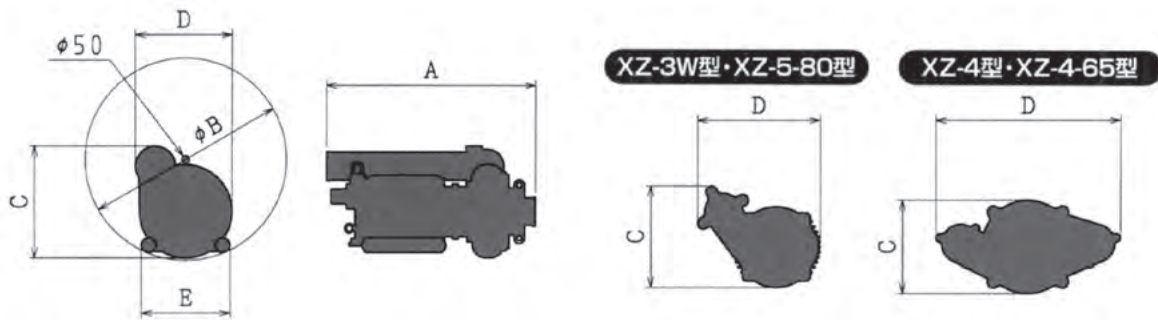
- Specifications are changeable without notice. Please ask for Specification Sheet for the details.
- Custom made equipments are also available.
- * only 50Hz available.
- * only 60Hz available.

SIZE

Unit : mm

MODEL	A	B	C	D	E
XZ-4	600	438	185	367	—
XZ-4-65	599	400	185	350	—
XZ-3W	749	400	215	264	—
XZ-5-80	916	500	301	365	—
VH-3-3DP	761	760	390	357	361
VH-5-3DP	761	760	390	357	361
VH-7.5-3DP	953	900	467	427	431
VH-10-3DP	953	900	467	427	431
VH-10-3K	953	800	420	420	371
VHG-10-3KS	953	700	423	353	413
VHG-15-6K	1043	1000	537	555	456
VHG-20-6K	1113	1000	537	555	456
VH-27	1213	1000	535	525	487
VH-27H	1188	1000	485	475	487
VH-27B	1213	1000	35	525	487
VHG-15-6DP	1043	1000	608	493	456
VHG-15B-	1043	1000	608	496	456
VHG-20-6DP	1113	1000	608	493	456
VHG-20B-	1113	1000	608	493	456
VHG-30-6DP	1244	1200	666	576	529
VHG-30B-	1244	1200	666	576	529

● Specifications are changeable without notice. Please ask for Specification Sheet for the details.



PERFORMANCE CURVES

