

High-pressure submersible pumps with 4" and 5" diameter for clear water

H 802 – H 818

Application

HOMA high-pressure submersible pumps are suitable for pumping clear water with high pressure, even from boreholes or narrow wells. They are used for domestic water supply, irrigation, garden watering from cisterns or similar, in fountain displays, watering place, heat pumps, ground water drainage and so on.

In combination with the electronic control panel HPS 2 or with a pressure tank, pressure switch and an electrical control panel the pumps can operate automatically (see accessories).

Installation: The pumps operate in vertical or horizontal position. For vertical operation in a well the pump must be suspended on a rope.

Pumped liquid: Clear water.

Max. temperature of the liquid: 35°C.

Operation: permanent (S1)

Design

Fully submersible drainage pump consisting of:

Pump: Multistage centrifugal pump with vertical discharge.

Impeller: Closed multi-channel impellers, spherical clearance 1 mm - 1,5 mm. Wear rings made of stainless steel.

Motor: Fully submersible, pressure tight electric motor, oil-filled. Insulation class F. Motor protection IP 68. Thermal sensors imbedded in the motor winding.

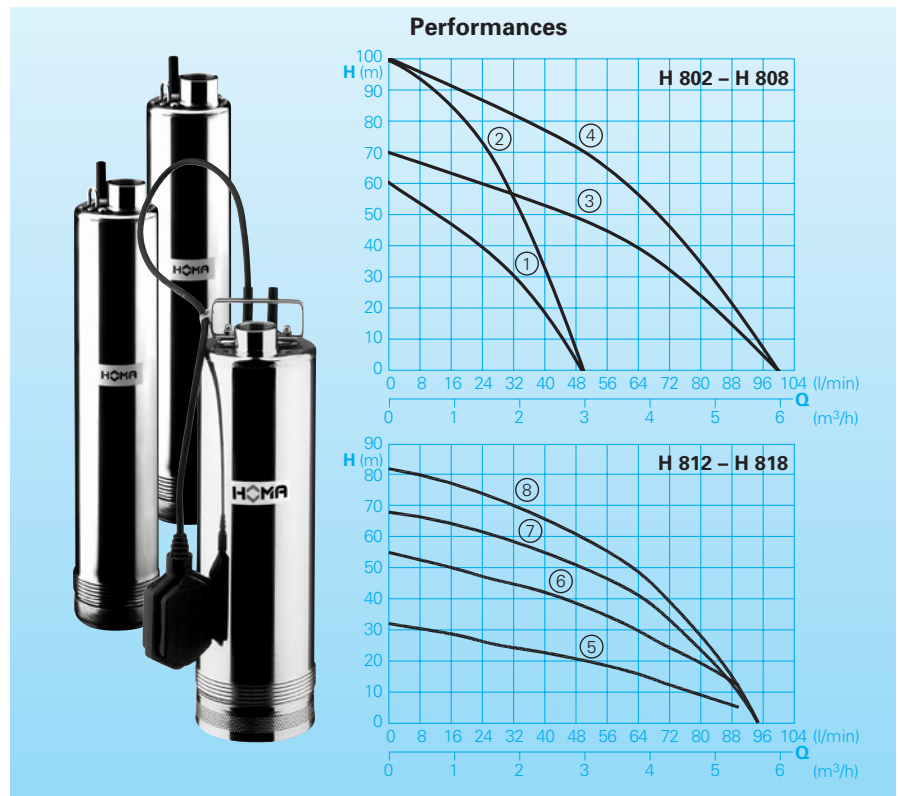
Shaft/bearings: Large diameter stainless steel rotor shaft, pre-lubricated bearings.

Seals: Double shaft seal with mechanical seal and additional shaft seal ring.

Control panel HPS2

The electronic control panel HPS2 controls the pump by monitoring of water pressure and water flow. It switches the pump on when the tap is opened, and switches off when the tap is closed.

The HPS2 also realize, when the pump does not lift in case of water shortage and switch it automatically off. Operation conditions are shown on the display LED.



Technical Data

Curve No.	Pump type	Motor-input P1 (kW)	Motor-output P2 (kW)	Nominal current (A)	Weight (kg)	Cable type
①	H 802 W	0,85	0,5	5,0	12	H07RN-F3G1
②	H 804 W	1,1	0,75	6,0	13	H07RN-F4G1
③	H 806 W	1,1	0,75	6,0	13	H07RN-F4G1
④	H 808 W	1,6	1,1	8,0	15	H07RN-F4G1
⑤	H 812 WA	1,0	0,6	4,0	12	H07RN-F3G1
⑥	H 816 SW	1,4	0,9	6,6	13	H07RN-F3G1
⑦	H 816 WA	1,4	0,9	6,6	13	H07RN-F3G1
⑧	H 818 WA	1,8	1,2	8,0	15	H07RN-F3G1

Voltage: 230-240 V / 1 Ph

Speed: 2900 rpm

Model WA: With automatic level control HOMA-Nivomatik.

Model S: With sideways suction inlet

Materials:

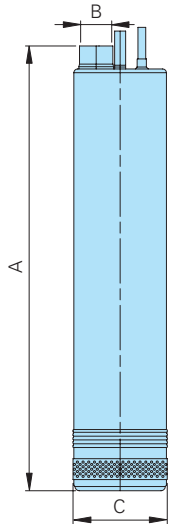
Pump housing, motor housing, rotor shaft, Suction sieve	Stainless steel
Impeller	Glass-fibre reinforced synthetic material (composite)
Mechanical seal	Carbone graphite/ aluminium
Elastomere	Perbonane

Equipment supplied

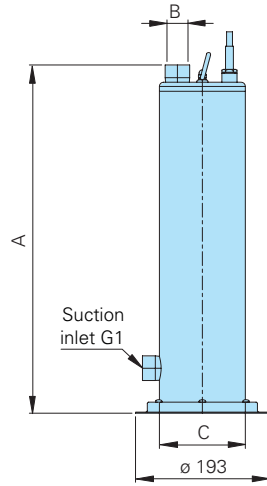
H804, H806, H808:
Pump with 20 m of cable, control box with capacitor, overload protection and plug.
H802, H812, H816(S), H818:
Pump with 20 m of cable and plug.

Dimensions

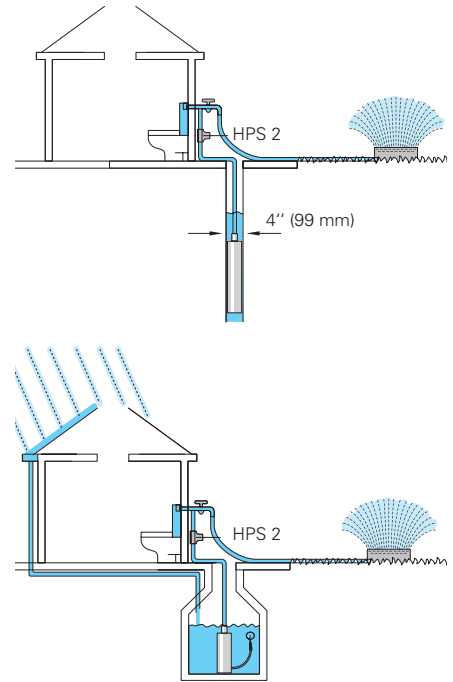
H 802 - H 818



H 816 S



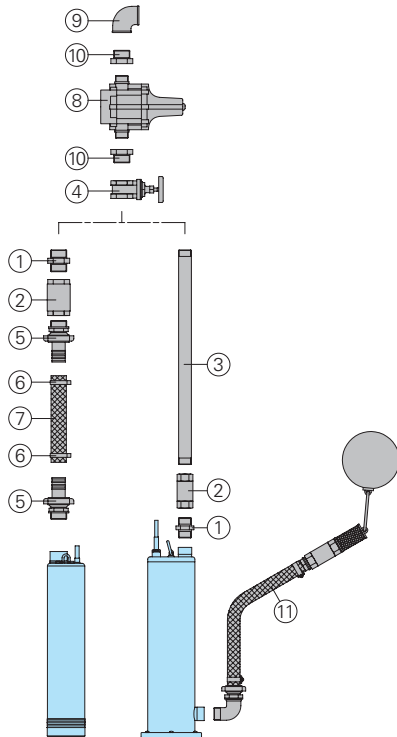
Installations



Pump type	A	B	C	Pump type	A	B	C
H 802 W	470	G 1	Ø 99	H 812 WA	470	G 1 1/4	Ø 127
H 804 W	600	G 1 1/4	Ø 99	H 816 SW	503	G 1	Ø 124
H 806 W	520	G 1 1/4	Ø 99	H 816 WA	525	G 1 1/4	Ø 127
H 808 W	630	G 1 1/4	Ø 99	H 818 WA	570	G 1 1/4	Ø 127

all dimensions in mm

Accessories



Part Description	Dimension	Part. No.
① Galvanized double nipple	BSP 1" M BSP 1 1/4" M	2009022 2009019
② Brass non-return valve	BSP 1" F BSP 1 1/4" F	2009026 2009027
③ Thread pipe	BSP 1" M BSP 1 1/4" M	2100150 2100153
④ Bronze gate valve	BSP 1" F BSP 1 1/4" F	2216010 2216012
⑤ Brass STA-hose coupling	BSP 1" M BSP 1 1/4" M	2001313 2001413
⑥ Hose band	1" 1 1/4"	2302330 2303252
⑦ Reinforced hose, Pressure resistant up to 7 bar, per m	1" Ø 25 mm	2632025

Part Description	Dimension	Part. No.
⑧ HPS2 electronic pump control box with dry-run protection	BSP 1" M	1468560
⑨ 90° galvanized elbow	BSP 1" F/M BSP 1 1/4" F/M BSP 1 1/4" F	2111305 2111405 2113604
⑩ Brass reduction piece	BSP 1 1/4" M x BSP 1" F	2109400
⑪ Floating water abstractor		8801010
○ Diaphragm pressure tank with pressure switch and control box dry-run protection		On request

HOMA
P U M P T E C H N O L O G Y

HOMA Pumpenfabrik GmbH
P.O.Box 22 63, D-53814 Neunk.-Seelscheid
Tel. +49 (0) 22 47/702-0, Fax +49 (0) 22 47/702-44
e-mail: info@homa-pumpen.de
www.homapumps.com