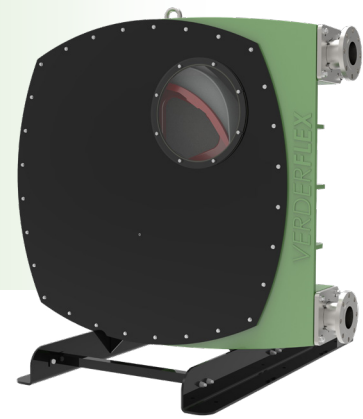


Verderflex VF125



VERDERFLEX®

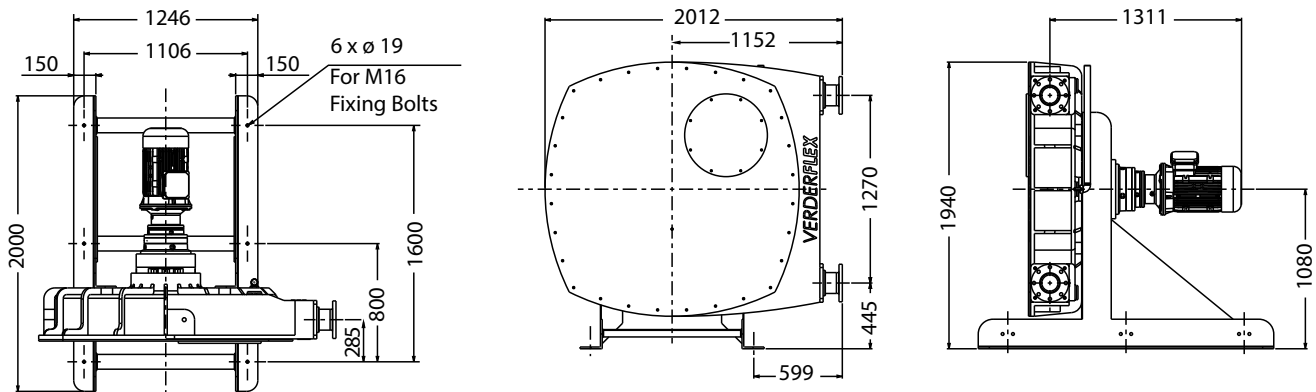
Description	Material	Paint Detail
Pump Housing	Cast Iron (GG25)	Green Powder Coated
Front Cover	Carbon Steel with Perspex Inspection Window	Powder Coated
Rotor	Cast Iron (GG25)	
Rotor Shoes	Aluminium (6082T6)	
Port Flange	Carbon Steel sheradised screw-on flange in accordance with either DIN PN16 DN125 or ANSI 150# 5" or JIS10K 125mm	
Inserts	Stainless Steel (316L) Options: Polypropylene, PVDF Inserts*	
Mounting Frame	Carbon Steel	Powder Coated
Lubricant	Verderlube - Glycerine based compound** Verdersil - Silicone oil***	
Hose	Natural Rubber (NR) Options: Nitrile Buna Rubber (NBR) Ethylene Propylene Diene Mono-mer (EPDM), and Hypalon® (CSM)	

Typical Pump Unit Weight 3075 - 3189 kg

* Temperature Limit for PP insert is 35°C and for PVDF insert is 80°C.

** Temperature Limit for Verderlube is 50°C.

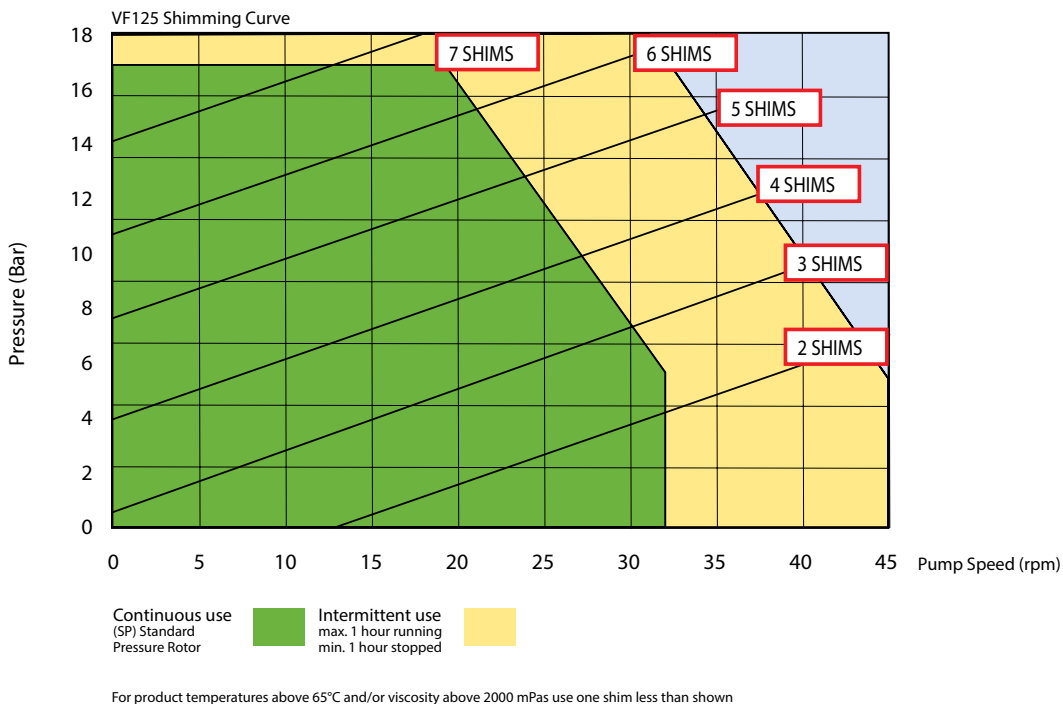
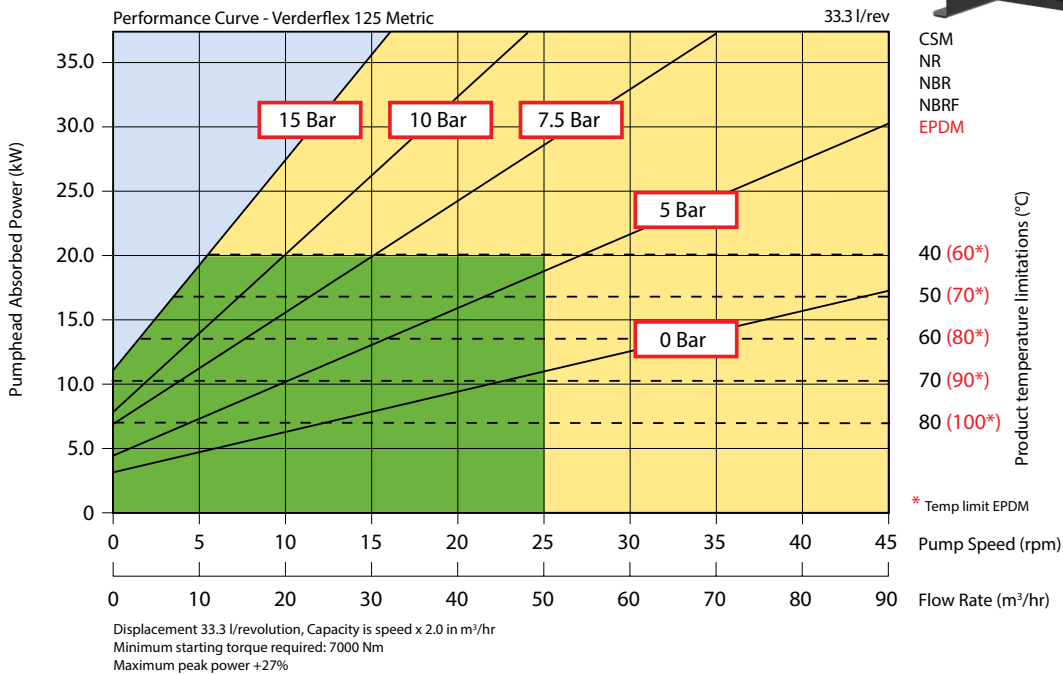
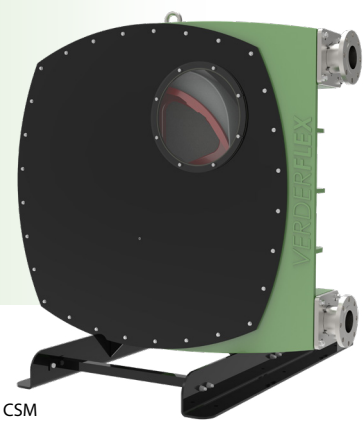
*** Suitable for application above 50°C, but subject to maximum temperature limit of the hose and applications involving strong oxidising agents and nitrogenous compounds.



All dimensions are in mm.
All dimensions and weights are for guidance only.



Verderflex VF125



Flows are typical and were measured with water at 20°C with no suction lift or discharge pressure. Actual flows will vary according to suction conditions, discharge pressure and normal component production tolerances.

Find your local supplier
at www.verderflex.com

For construction installation and floor mounting drawings
please contact your local authorised Verderflex® distributor.

VERDER
passion for pumps