

JUNG PUMPEN J 67

COLUMN PUMP

APPLICATION

These centrifugal column pumps are for stationary use in drainage sumps and are fitted with a level control. The flange motor which is incorporated extends upwards out of the open or covered pit and must therefore **always operate in a well-ventilated room and must not be submerged**. The installation depth is limited by the design and must not exceed 915 mm.

The pumps are used for estate drainage of polluted water and hot water up to 194 °F (90 °C). The pumps must not be used for raising sewage from lavatories and urinals.

TECHNICAL DATA

Pump

Vertical, single-stage, with submersible, foot strainer, volute casing with tangential discharge branch, 1¼" (female) vertical discharge branch, open centrifugal impeller, free passage 14 mm.

Bearings

Coupled shaft with special bronze bushing, water lubricated

Motor

Flange motor, enclosure IP 44, insulation class F, with motor thermostat, switched on via automatic circuit

Material

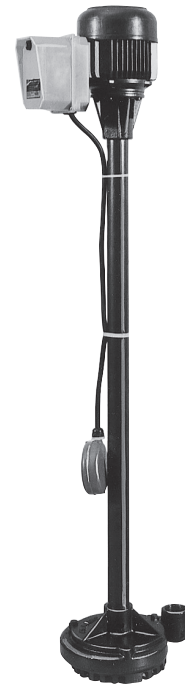
Spiral housing and impeller made of GG grey cast iron, shaft and stand pipe made from steel, submersible ball contact switch with silicone cable

Installation

Install pump vertically, motor and switching device must not be submerged or exposed to damp air

Scope of supply

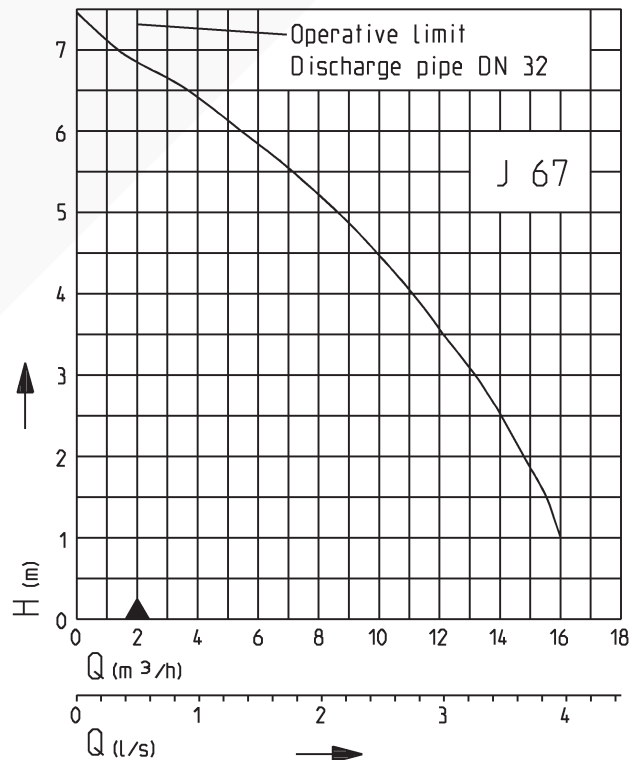
Ready to connect pump according to EN 12050 with cabled level control



J 67

- Ready to connect
- Waste water and hot water drainage
- Integrated level control

PERFORMANCE



24941-02

We reserve the right to change specifications without notice

Pump performance is subject to ISO 9906 tolerances

The minimum flow velocity in the pressure piping must be 0.7 m/s according to EN 12056.

This data is represented in the performance curve as a limit of application.

JUNG PUMPEN J 67

COLUMN PUMP

COLUMN PUMPS

Type	Maximum height x width	Discharge branch	Cable quality	Cable length	Weight approx.	Code No.
J 67 ET	1260 x 305 mm	1 1/4"	H07RN-F-3G1.0	1.5 m	18.5 kg	JP09153
J 67 DT	1260 x 305 mm	1 1/4"	H07RN-F-5G1.5	1.5 m	18.5 kg	JP09154

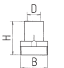
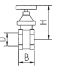
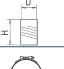
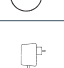


PERFORMANCE

Type	Delivery head H [m]	1	2	3	4	5	6	7
J 67 ET/DT	Flow rate Q [m³/h]	16	14.5	13	11	8.5	5.5	1

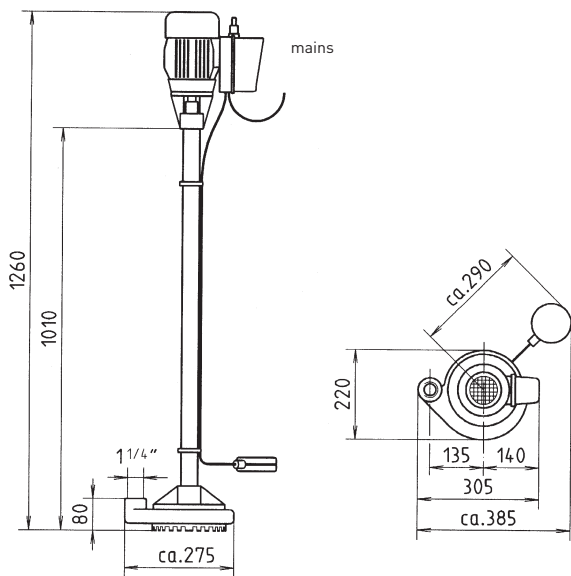
ELECTRICAL DATA

Type	Type of current	Voltage Volt	Motor rating kW		RPM min ⁻¹	Current Ampere	Motor protection	Plug
			P ₁	P ₂				
J 67 ET	1-phase	1/N/PE~230	0.56	0.37	1400	2.7	integrated	Safety-
J 67 DT	3-phase	3/N/PE~400	0.60	0.37	1360	1.2	integrated	CEE-

ACCESSORIES

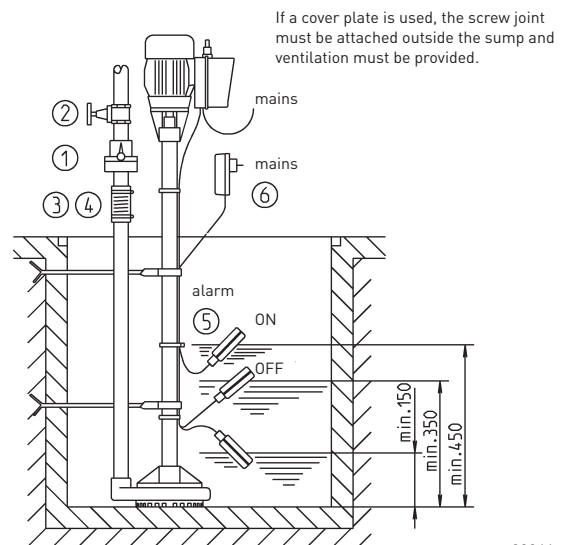
Only for waste water up to 104 °F (40 °C), for pumping hot water on site by the customer							Code No.		
	1	Swing-type check valve DIN EN 12050-4	1 1/4" (DN 32), PN 4		H	W	D	JP09739	
					90	90	1 1/4"		
	2	Stop valve	1 1/4" (DN 32), PN 16		H	W	D	JP44785	
					110	max. 60	1 1/4"		
	3	Elastic connection	1 1/4" (DN 32), PN 3		H	D		JP44773	
					100	42			
	4	Hose band clamp 1 1/4"							JP44765
	5	Alarm unit AG3 with submersible ball contact switch, separate, mains-dependent with potential free contact and 3 m cable.							JP44891
		Alarm unit AG10 with sub. ball contact switch, ditto, 9.5 m cable							JP44892
		Alarm unit washing machine stop AW3 with submersible ball contact switch, separate, mains-dependent and with 3 m cable							JP44895
	6	Rechargeable battery for off the line operation of the alarm system							JP44850

Dimensions J 67 (mm)



23267-01

Example of installation sump min. 40 x 40 cm



23266-02

In case of installation beneath the backpressure level the pressure tube must be taken in a loop over the local backup level acc. to EN 12056. Besides, it must be secured with a EN 12050-4-proofed swing-type check valve. Additionally we recommend an alarm system.