

JUNG PUMPEN SKS-B 800

POLY-SUMP

FOR SUBMERSIBLE DRAINAGE PUMPS

APPLICATION

The buoyancy proof sumps are supplied for the house and estate drainage. They can be equipped with one or two pumps.

The sumps are suitable for accessible areas (class A 15) or for traffic areas (class B 125).

Preformed transport handles provide easy transport and placing into its final position.

Waste water and drainage water can vary widely. Therefore we have a range of different pumps to suit the various grades of impurities.



SKS-B 800

DESCRIPTION

Buoyancy-proof plastic sump of high grade polyethylene approved by the German Institute for Construction Engineering (DIBt), with socket for inlet and venting, prefabricated discharge connection and ball valve.

For a comfortable installation of the pumps and for an easy pump removal the sump is equipped with an guide rail system. Depending on the sump version the proven guide rail system GR 23 or GR 50 can be used.

Depending on the used extension it is possible to extend the sump to a total height of 2.75 metres. The required type of loading class depends on the site.

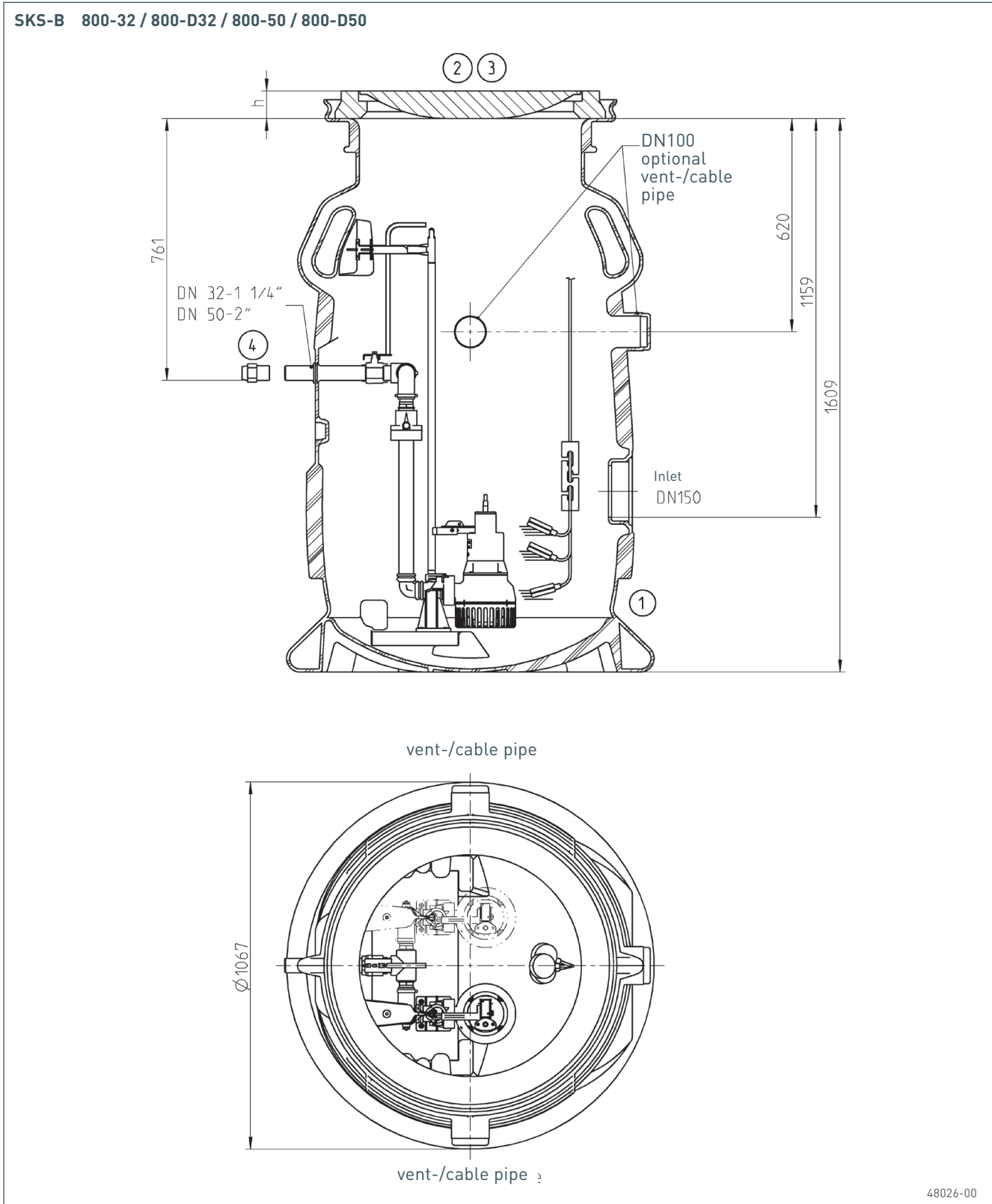
The installation depth with a concrete ring cl. A 15 is 1.70 m. The total volume is 740 litres. The storage volume up to the lower edge of the inlet is 190 litres and the residual volume is 90 litres.

- Mark of conformity
- Single- and double units suitable for traffic to class B 125
- Smooth benched deposit free collection chamber
- Valves can be operated from above
- Easy to install
- Single unit retrofittable as duplex unit

JUNG PUMPEN SKS-B 800

POLY-SUMP

FOR SUBMERSIBLE DRAINAGE PUMPS



We reserve the right to change specifications without notice.

JUNG PUMPEN SKS-B 800

POLY-SUMP

FOR SUBMERSIBLE DRAINAGE PUMPS

SCOPE OF SUPPLY

SKS-B 800 (single unit)

Plastic sump, assembled with guide rail system DN 32 or DN 50, PP-pipe, vertically closing swing-type check valve, ball valve, stainless steel delivery piping with 1¼ or 2" external thread, 1 sleeve DN 150 (KG-pipe) for the inlet, 3 ports for connecting DN 70/DN 100 for cable and venting (KG-pipe).

SKS-B 800 (duplex unit)

Plastic sump, assembled with 2 guide rail systems DN 32 or DN 50, PP-pipe, 2 vertically closing swing-type check valves, ball valve, stainless steel delivery piping with 1¼ or 2" external thread, 1 sleeve DN 150 (KG-pipe) for the inlet, 3 ports for connecting DN 70/DN 100 for cable and venting (KG-pipe).

ACCESSORIES

Description		Gewicht kg	Art.-Nr.
① Poly sump	SKS-B 800-32		JP47346
	SKS-B 800-50		JP47348
	SKS-B 800-D32		JP47347
	SKS-B 800-D50		JP47349
Cover cl.A	Ø 600 cl. A 15, h= 80, D 785	90	JP46437
② Lifting device for cl. A			JP44969
	Cover cl.B	Ø 610 cl. B 125, h= 125, D 750	100
Ventilation pipe	DN 100, stainless steel		JP44858
③ Concrete ring	625 x 100 mm, Ø 785		JP44975
④ Single ended quick release coupling with female thread and clamp	1¼" to Ø 40 mm (DN 32)		JP44796
	1¼" to Ø 50 mm (DN 40)		JP44797
	1¼" to Ø 63 mm (DN 50)		JP44798
	2" to Ø 63 mm (DN 50)		JP45950
	Sump extension	PSV-A/B 375	25
	PSV-A 855	40	JP46430
	PSV-A 1335	54	JP46431
Guide rail extension SKS-32	for single unit		JP48067
Guide rail extension SKS-50	for single unit		JP48065
Guide rail extension SKS-D32	for duplex unit		JP48068
Guide rail extension SKS-D50	for duplex unit		JP48066
⑥ Operating handle T-Key PKS (telescopic)	for extension		JP46438
⑦ Reducing socket 1½" to 2" for mounting pumps with 1½" discharge			JP48069

For single units SKS-B 800-32 / SKS-B 800-50

Pump types with built-in level control
U3KS, U5KS, U6K ES/DS, US 62-253 ES/DS, US 73-253 ES/DS,
US 75-155 ES/DS

For duplex units SKS-B 800-D32 / SKS-B 800-D50

Pump types without level control
U3K, U5K, U6K E/S, US 62-253 E/D, US 73-253 E/D, US 73+103 E/D, US 75-155 E/D
(separate control unit with level control necessary)

Additional accessories as eg. chains see data sheet pumps

JUNG PUMPEN SKS-B 800

POLY-SUMP

FOR SUBMERSIBLE DRAINAGE PUMPS

Dimensions sump extensions

Single- and duplex units SKS-B 800

Dimensions (without cover) mm	Height	Inlet	Pressure outlet	Buoyancy proof depth
Sump	1609	1159	761	1609
Class A				
Sump + 1 x PSV-A/B 375	1984	1534	1136	1984
Sump + 1 x PSV-A 855	2464	2014	1616	2464
Sump + 1 x PSV-A 1335	2944	2494	2096	2944
Class B				
Sump + 1 x PSV-A/B 375	1984	1534	1136	1984
Sump + 2 x PSV-A/B 375	2369	1919	1531	2369
Sump + 3 x PSV-A/B 375	2749	2299	1901	2749

Volume	Sump	Extension	Switching point			
			Off	On	Alarm / peak load	UK-Inlet
SKS-B 800	740 l	159 l	90 l	135 l	170 l / 190 l	190 l

