



water solutions

Data sheet

APF 200/2/G40H A1CM5

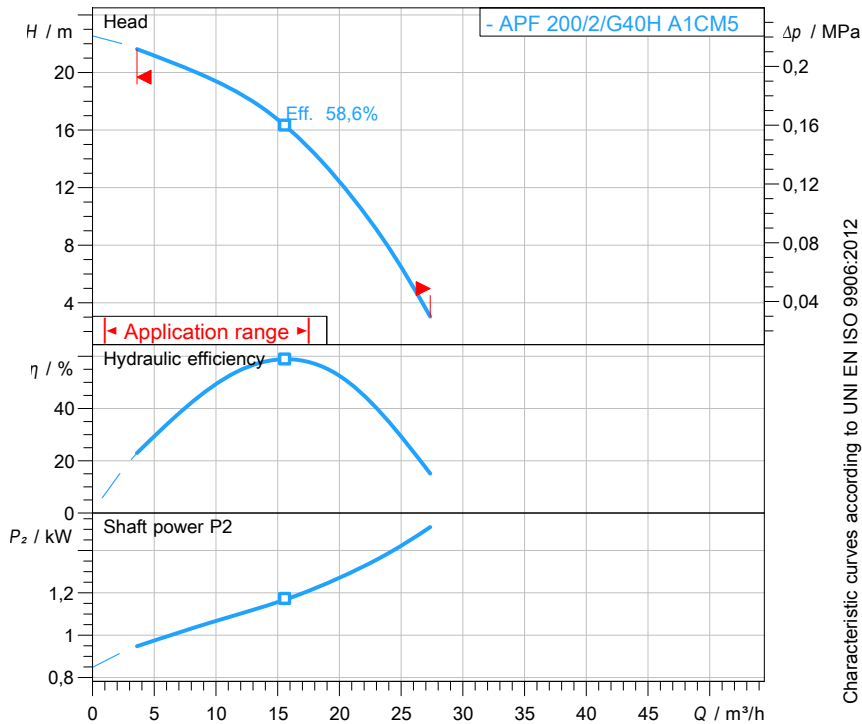


F

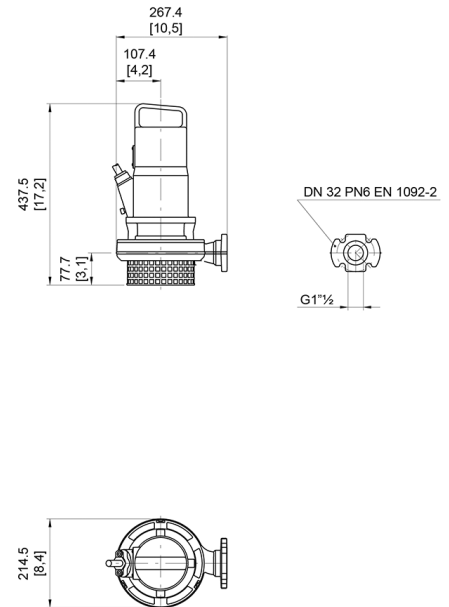
series

Technical specification

1~ 50 Hz



Characteristic curves according to UNI EN ISO 9906:2012

[mm]
[inch]

Pump

Series	F series
Pump name	APF 200/2/G40H A1CM5
Configuration	NGTCB51023N00EX
Standard	ATEX 94/9/CE
ATEX mark	II 2 GD Ex d kc tD A21 IIB T4 T135°C IP68 X

Motor data

Rated voltage	230 V
Frequency	50 Hz
Motor phases	1~
Number of poles	2
Rated power P2	1,50 kW
Incoming power P1	2,16 kW
Rated current	9,8 A
rpm	2850 1/min
Efficiency	69,3 %
cos φ	0,96
Rated torque	5,0 Nm
Start	
Degree of protection	IP 68
Insulation class	F

Hydraulic

Type	AP (High head impeller)
Free passage	7,5 mm
Impeller type	Multi channel impeller
Max. hydraulic efficiency	58,6 %
Suction	
Discharge	DN 32 - G 1"1/2 EN 1092-2
Curve tolerance	UNI EN ISO 9906:2012

Operating limits (standard pumps)

Max. ambient temperature	40 °C
Max. density treated liquid	1100 kg/m³
Max. immersion depth	30 m
pH treated liquid	6 ÷ 14
Max. start per hour (equally distributed)	20
Wet/dry use	WET
Max. acoustic pressure level	70 dB
Operating mode	S1 - Continuous use

Construction materials

Case	Cast iron EN-GJL 250
Shaft	Stainless steel - AISI 420
Hydraulic	Cast iron EN-GJL 250
Impeller	Cast iron EN-GJL 250
Painting/Coating	Bi-epoxy 150 μm
Screws	Stainless steel - Class A2-70
Gaskets	VITON
Foot base (if present)	
Strainer	Stainless steel - AISI 304

Construction features

Cooling system	No cooling jacket
Main cable	4G1.5 + 2x0.75
Control cable	-
Cable length	10 mt
Mechanical seals	2 in silicon carbide (2SiC)
Additional drilling	-
Weight*	34 kg
Electrical variant	Thermal protection and capacitor

* cable's weight not included

Rev. 0 - 16-12-2014

All data shown are not binding. Zenit reserves the right to change data and dimensions without notice.

Created on 2017-06-16

zenit.com

Page 1 / 3



water solutions

Data sheet APF 200/2/G40H A1CM5

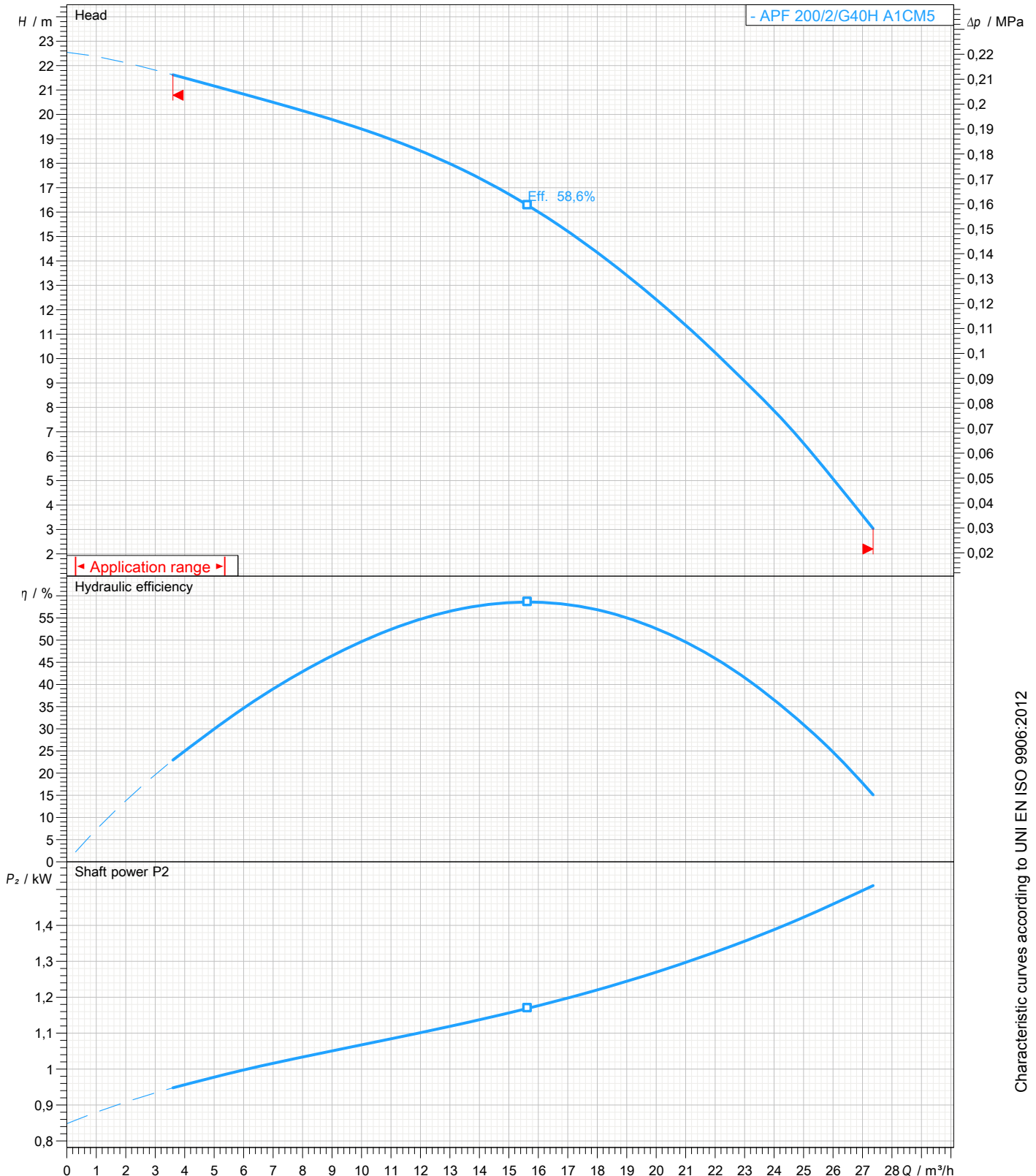


F series

Pump performance curves

1~ 50 Hz

Hydraulic type AP (High head impeller)		Impeller type Multi channel impeller	Free passage 7,5 mm	Discharge DN 32 - G 1"1/2	Suction
DUTY POINT					
Flow	Head	Shaft power P2	Hydraulic efficiency	Density 998,3 kg/m ³	Viscosity 1,005 mm ² /s



Characteristic curves according to UNI EN ISO 9906:2012



water solutions

Data sheet APF 200/2/G40H A1CM5



F

series

Dimensional drawing

1~ 50 Hz

Installation type Installation with bottom coupling device - Vertical outlet + GTP

WET/DRY use: WET

Discharge: DN 32 - G 1 1/2 EN 1092-2

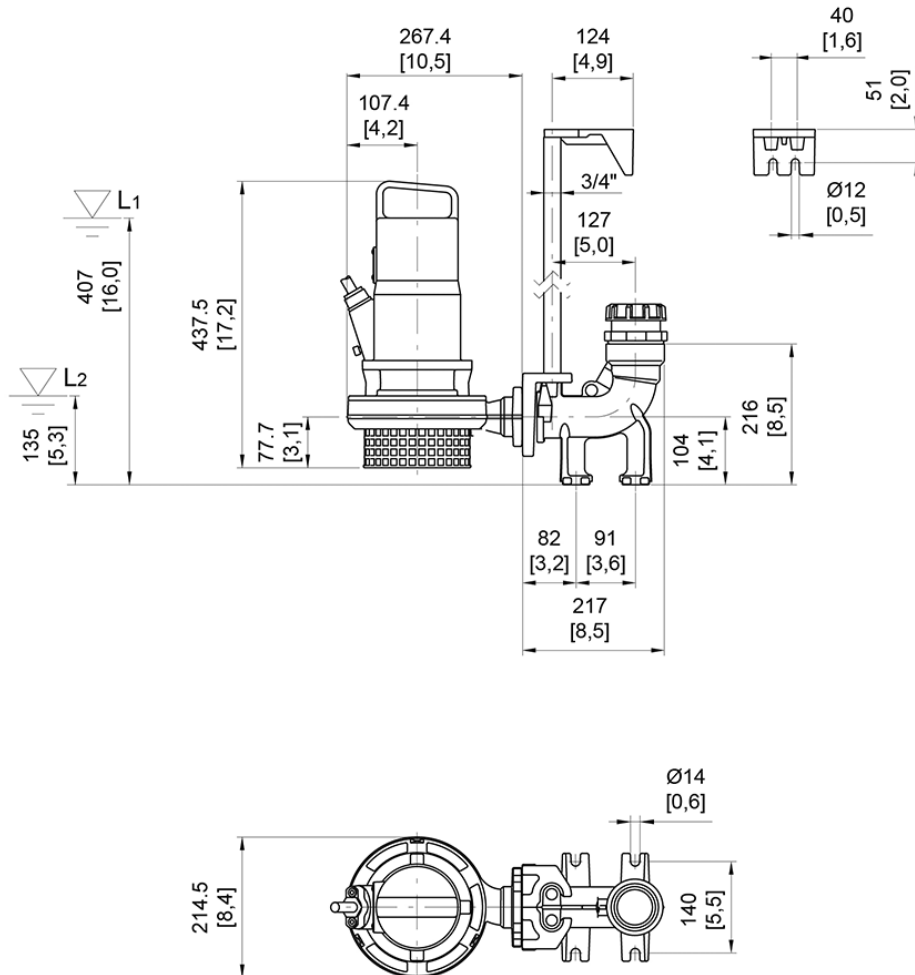
Suction:

Pressure rating (suction/discharge): PN 6

Accessory * : DAC 32-50/G50V-G65V 3/4" EN+GTP (P)

Accessory code * : 9028.002

* Accessory must be ordered separately



L1: Minimum operating level for continuous use
L2: Minimum operating level for discontinuous use

[mm]
[inch]