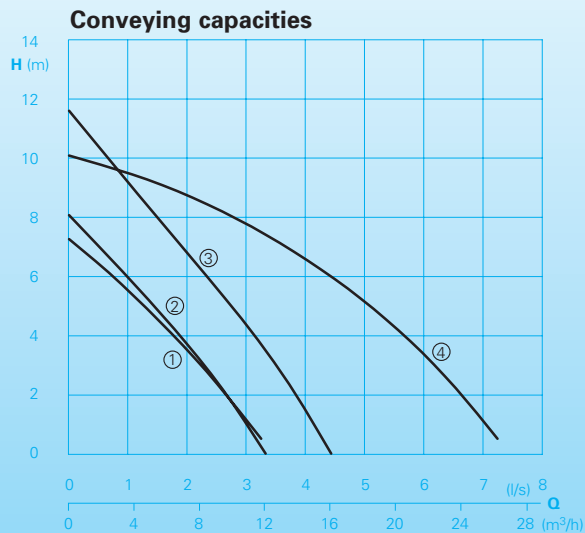
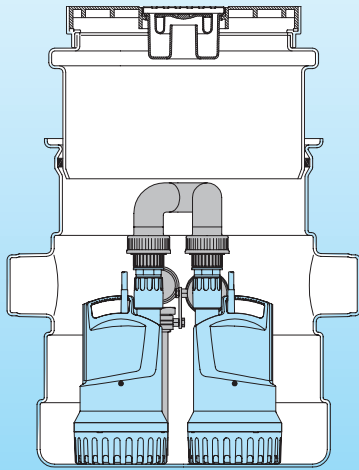


Domestic waste water disposal unit - twin pump station with under-floor collecting tank.

Saniquick UFT



Application

Automatic disposal of domestic waste water below the sewer level in flooded areas. For removal of domestic waste water from hand basins, washing machines, showers or bath and cellar de-watering in rooms. Installation as a collecting tank for rainwater in cellars, basements, baths and garages.

DIN EN 12050-2: Conformity and type-tested and monitored by the LGA.

Installation: Collecting tank for under-floor installation with adjustable access cover.

Conveying medium: Clean or domestic waste water. Max. temperature of conveying medium: 35°C, briefly up to 60°C.

Construction

Domestic waste water disposal twin pump station for under-floor installation consisting of:

Collecting tank: Plastic tank fixed to prevent lifting, volume 40 l, with 3 inlets DN 100. Connecting piece DN 70 for air vent and cable duct. Frame with adjustable height to adapt the cover plate to the floor level. Odour tight cover plate with floor drain. The cover plate can be used as a gutter or a tile frame. Both frame and plate are adjustable in height and capable of being turned for adjustment to the floor level and direction of tiles after the tiles have been laid.

Technical Data

Curve No.	Type	Motor P ₁ (kW)	P ₂ (kW)	Nominal current (A)	Weight (kg)
①	Saniquick UFT - CR 360 VW	0,63	0,45	1,8	26,5
②	Saniquick UFT - C250 W	0,55	0,26	2,5	22,0
③	Saniquick UFT - C260 W	0,90	0,48	4,0	25,5
④	Saniquick UFT - TP 28 V W	1,10	0,90	5,6	57,0

Speed: 2900 rpm | **Type W:** 230V/1Ph 50Hz

Pressure connection: BSP 1 ¼ M

Discharge connector and pipe for the pump are fitted in the tank, including a non-return valve in the pipework.

Pumps/Motors: Two single stage centrifugal submersible drainage pumps. Models C250 and C260 with open multi-channel impeller, spherical clearance 10 mm. Pressure tight electric motor, jacket cooled. Models CR360V and TP28V with Vortex impeller, spherical clearance 20 or 28 mm dia., pressure tight electric motor. Insulation class B/F degree of protection IPX8.

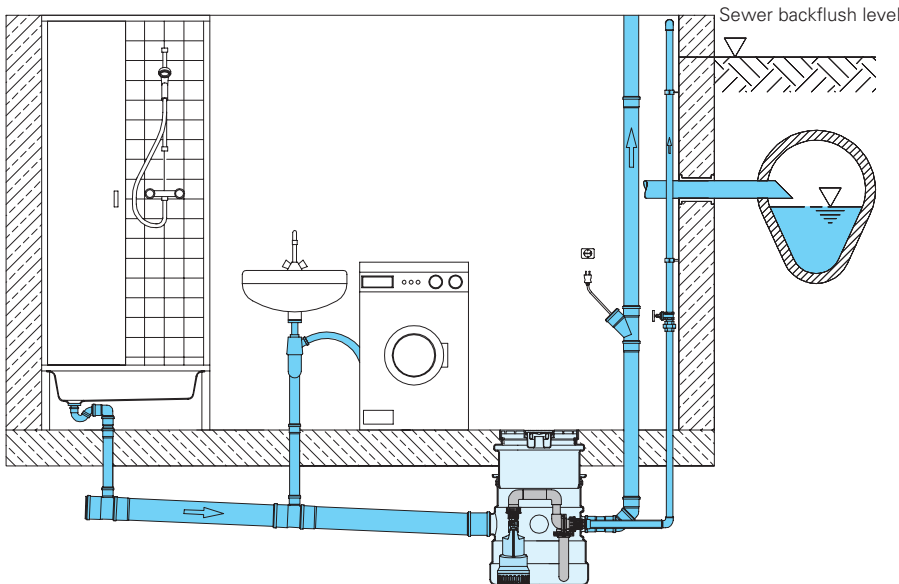
Control box: Electronic control box for control and monitoring of all important functions. Pneumatic level control with pressure operation. Auto-change over after each pump cycle. Operation of both pumps at high flow. In the event of failure automatic change over to the second pump. Motor protection relay. Optical failure alarm. Acoustic alarm by buzzer. Volt free contact for remote signal. Connection for ServCom controller (see accessories).

Mains-independent alarm by installing a 9V battery.

Materials

Collecting tank	Polyethylene
Installation kit	PVC
Pump housing	
C250, C260:	Impact-resistant plastic
CR360 V:	Stainless steel
TP 28 V:	Cast iron EN-GJL-250
Motor housing	
C250, C260:	Stainless steel
CR360 V:	Stainless steel
TP28 V:	Cast iron EN-GJL-250
Impeller	
C250, C260: CR360 V:	Impact-resistant plastic
TP28 V:	Stainless steel
	Cast iron EN-GJL-250
Rotor shaft, screws	Stainless steel
Elastomers	NBR

Installation Example



Scope of supply

Saniquick UFT

Collecting shaft with compensating frame and tileable cover plate, 2 pumps with non-return valve and piping, 3 m connection cable, control unit with pneumatic level control and alarm function.

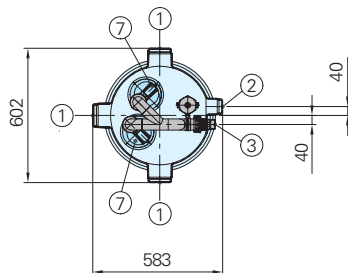
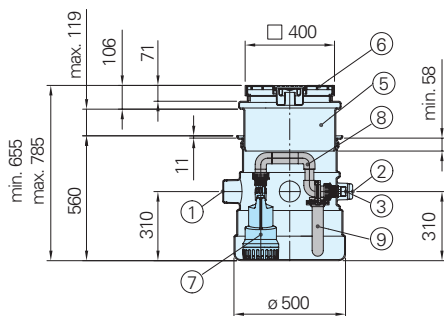
Type	Part No..
Saniquick UFT – C250 W	9804050.02
Saniquick UFT – C260 W	9804052.02
Saniquick UFT – TP28V W	9804056
Saniquick UFT – CR360VW	9804060.01

Accessories

Description	Part No.
Extension kit for collecting tank	73351731
Residual current device 2-pol., Fi 16/0,03 A	1561160
ServCom controller for monitoring of operation data (hours, no. of starts, failures etc.) and adjustment of pump liquid levels in the tank	1964450

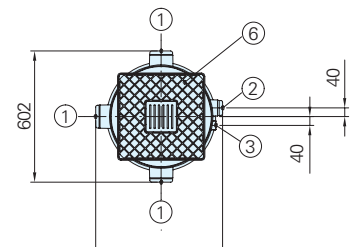
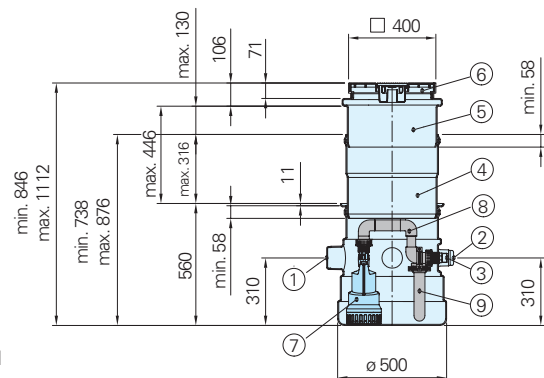
Dimensions (all dimensions in mm)

Saniquick UFT (Chromatic C250W)



- ① (3x) Inlet DN 100 horizontal
- ② DN70 (Air vent and cable duct)
- ③ BSP 1 1/4 M (Discharge)
- ④ Extension kit
- ⑤ Adjustable frame
- ⑥ Access cover with floor drain
- ⑦ Twin unit (2x) Pumpe)
- ⑧ Installation kit
- ⑨ Connection for pneumatic level control

Saniquick UFT (Chromatic C250W) with extension kit



HOMA Pumpenfabrik GmbH
P.O.Box 22 63, D-53814 Neunk.-Seelscheid
Tel. +49 (0) 22 47/702-0, Fax +49 (0) 22 47/702-44
e-mail: info@homa-pumpen.de
www.homapumps.com