

NETZSCH NBE 20 Pail Emptying Unit

NETZSCH

Compact design for application flexibility

NETZSCH Pail Emptying Units actually pump their way through your products reaching the bottom of the pail with less than 1% left in the container. The heart of the pail emptying unit is a NEMO® progressing cavity pump which creates positive displacement, low pulsation flow to convey your product without damage. In fact, most products are only exposed to the friction loss through the discharge piping. The NETZSCH single slide rail system raises and lowers the follower plate safely while providing a simple and easy structure to clean.

NETZSCH NBE 20 Features

- Continuous or intermittent emptying
- No pressure or flow interruption
- Emptying of conical pails
- Low pressure conditions in the entire system
- Continuously adjustable discharge capacity
- Metering directly from the pail is possible
- Flow in direct proportion to pump speed
- Equipped with VSD for easy adjustment
- Simple, single-rail design

Your Benefits

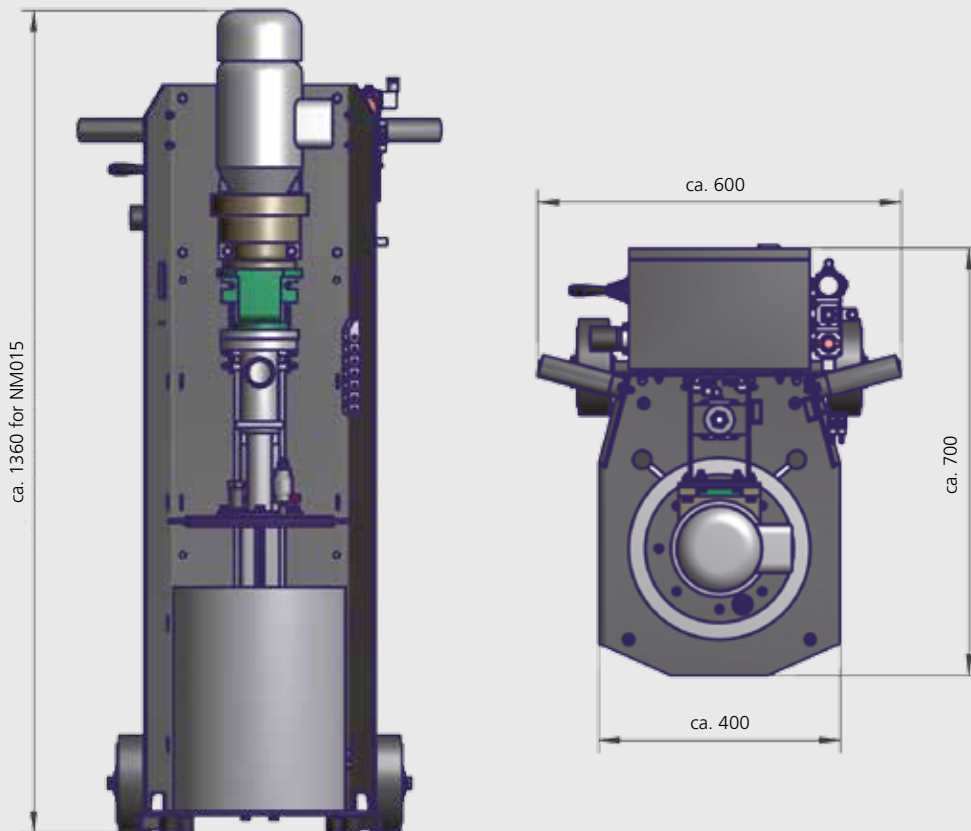
- Very smooth conveyance
- Low pulsation
- Significantly lower shear rate than any other pump technology
- Products with entrained solids are conveyed without product damage
- Flow is independent of temperature or viscosity
- Nearly complete discharge, residues < 1 %
- Maintenance friendly
- Low life cycle costs
- Stainless steel, easy-to-clean design



Applications

- Low to very high viscosity
- Non-Newtonian or thixotropic fluids and pastes
- Shear and pressure sensitive products
- Highly abrasive materials
- Pump can handle products up to 5 million cPs

NETZSCH NBE 20 Pail Emptying Unit



all dimensions in mm

NETZSCH NBE 20 Pail Emptying Unit

Base frame	Stainless steel
Frame options	Fixed or mobile version
Material in contact with product	1.4571 / stainless steel 316
Barrel sizes	20 l / 6 gal. standard, others on request
Wiping ring	NBR, BUNA, EPDM, Viton, (FDA Grades available)
Flow rate	Up to 4 gpm / 900 l/h*
Pump	BY industrial pump, BH sanitary pump, sizes up to NM031
Max. back pressure	Up to 290 psi / 20 bar*, others on request
Control	Standard with VSD control panel (NEMA 4 / IP 65)
Optional	PLC metering control unit available

*depending on product

NETZSCH Pumps North America, LLC
 119 Pickering Way
 Exton, PA 19341
 USA
 Phone: 610 363-8010
 Fax: 610 363-0971
 E-mail: npa@netsch.com

NETZSCH Canada, Incorporated
 500 Welham Road
 Barrie, ON L4N 8Z7
 Canada
 Phone: 705 797-8426
 Fax: 705 797-8427
 E-mail: ntc@netsch.com

www.pumps.netsch.com