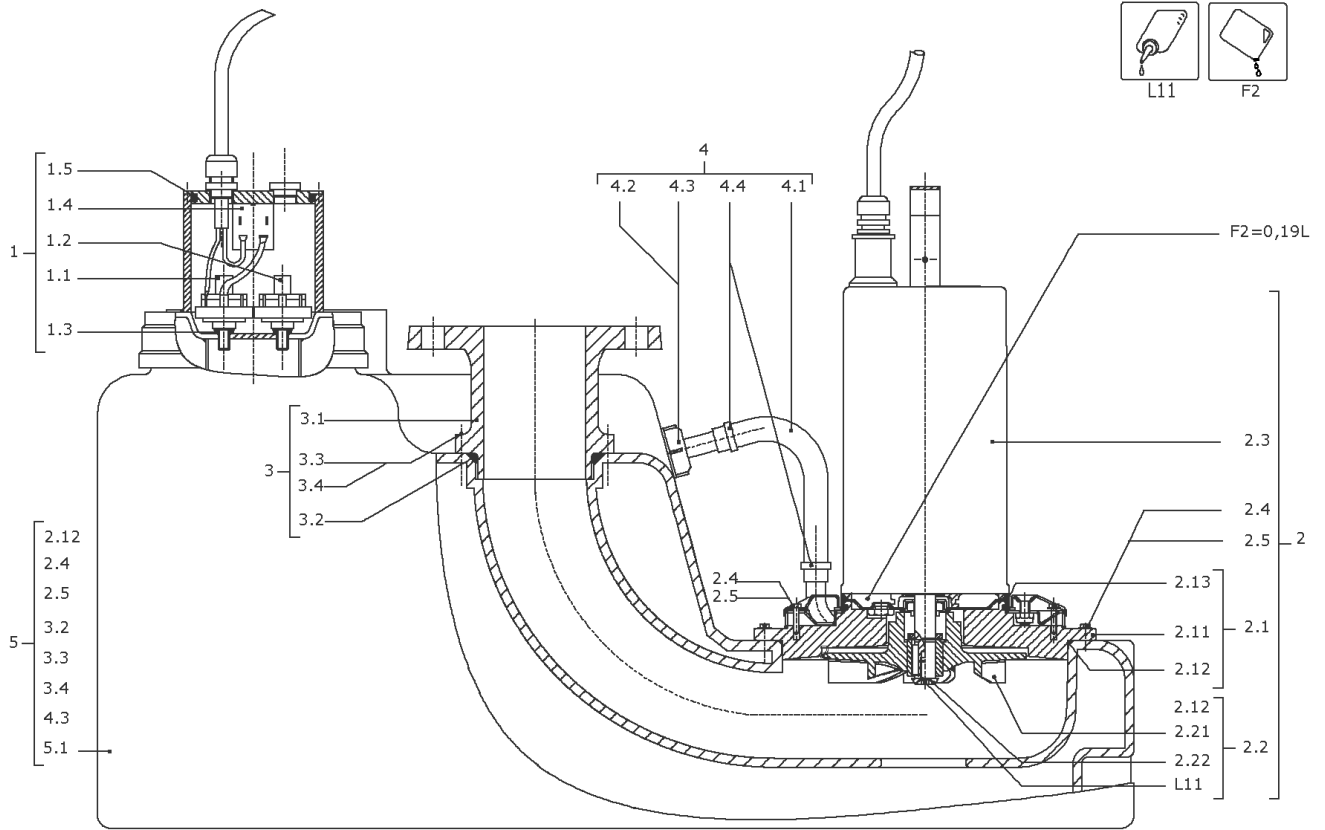




DrainLift S

Article no.	Description
2523090	DRAINLIFT S1/5 EM O.RÜCKFLUSSVERH.
2520947	WILO-DRAINLIFT S1/5 (1~)
2520948	WILO-DRAINLIFT S1/5 (3~)
2523091	WILO-DRAINLIFT S1/5 (3~)
2512739	WILO-DRAINLIFT S1/7 (1~)
2512740	WILO-DRAINLIFT S1/7 (3~)
2512745	WILO-DRAINLIFT S1/7 DM VORWAND
2544860	WILO DRAINLIFT S1/6M
2544876	WILO DRAINLIFT S1/6M-RV
2544861	WILO DRAINLIFT S1/6T
2544877	WILO DRAINLIFT S1/6T-RV

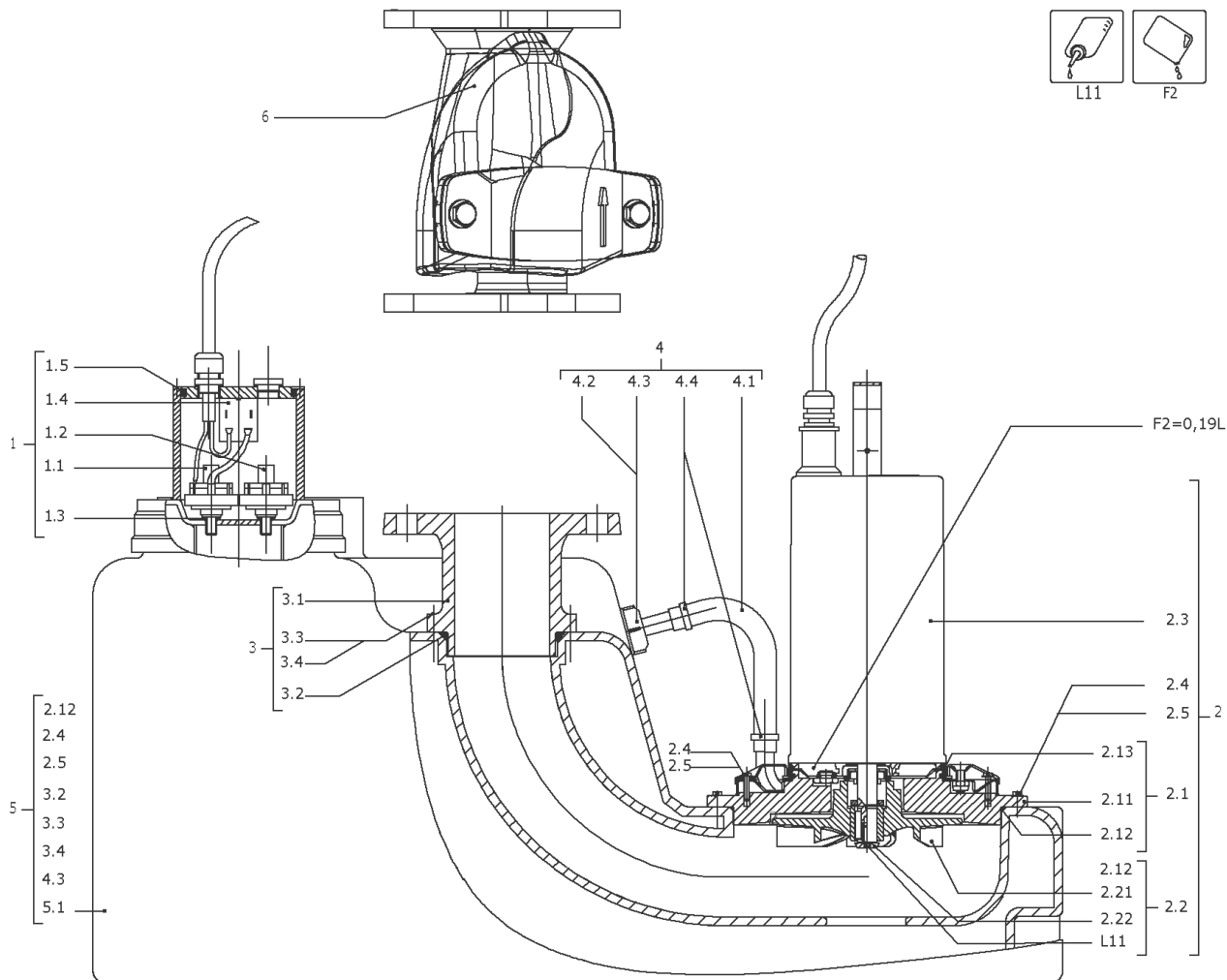


WILO-DRAINLIFT S1/5 (1~) (2520947)

Item	Article no.	Description	Quantity
1	2027531	LEVEL REGULATION DRAINLIFT S 230V	1
1.1	2027533	> PRESSURE SWITCH 180/100 YELLOW MARK VP.	1
1.2	2027534	> PRESSURE SWITCH 325/275 BLACK MARK VP.	1
1.3	4006400	> O-RING ID.9,19x2,62 EP1/1/5	1
1.4	2027535	> RELAIS 1S 30A/230VAC	1
1.5	2119963	> O-RING ID.88,27X5,33 NBR70 SHORE A VP.	1
2	2052571	PUMP UNIT DL-S1/5 1~230+HOSE VENT.KIT	1
2.1	2037738	> ADAPTER RING DLS+VENTILAT.FROM 10/01 KIT	1
2.11		>> ADAPTERRING DRAINL.S;WITH HOSE CONNECT.	1
2.12	2027539	>> GASKET D.10MM NR GREY	
2.13	2028703	>> O-RING ID.122X4 DIN3771 NBR70	1
2.2	2052434	> IMPELLER DRAINLIFT S/5 KIT	1
2.12	2027539	>> GASKET D.10MM NR GREY	
2.21		>> IMPELLER DRAINLIFT S1/5	1
2.22	2037743	>> IMPELLER FIXATION DLS/TP65 KIT	1
		>>> WASHER F.LR.F TP65	1
		>>> SCREW M8X20 F.LR.TP65	1
		>>> KEY B5X5X25 DIN6885 INOX 316TI	1
L11	2132529	>>> WEICON LOCK AN306-30 20ML VP.	1
2.3	2027541	> MOTOR CPL. DRAINLIFT S/M 1~230	1
2.4	2027543	> HEXAGONAL SCREW DIN7976 6,3X32 A2 VP.	1
2.5	2027545	> DISC DIN9021 6,4 A2 STAINLESS STEEL VP.	1
	4015653	> MS. MG1/17-G60-Q1Q1PGG-KIT	1
1.11	2048934	>> O-RING-ID.32X2,5 NBR70SR	1
1.31		>> ROTAT.SEALRING MG1/17-G60Q1Q1PGG.BURGMAN	1
1.32		>> CIRCLIP 17X1 DIN471 1.4122	1
1.34		>> RADIAL LIP SEAL-WDR-A-20X32X7-DIN376-NB	1
1.35	2048935	>> O-RING ID.123,42X3,53 NBR 70SR	1
1.35	4006725	>> O-RING ID.132,94x3,53 NBR70SR	1
1.36	4017965	>> O-RING D9,9X2,62 NITRILE 70SH	1
1.37		>> ROND.APPUI-GM-D17/30-EP.4-PP	1
1.38		>> MECHANICAL-SEAL-GUARD-NITRILE	1
		>> medical white oil 1L KIT	1
3	2027546	FLANGE TRANSFORMATION PIECE DN80 CPL.	1

WILO-DRAINLIFT S1/5 (1~) (2520947)

Item	Article no.	Description	Quantity
3.1	2027547	> FLANGE TRANSFORMATION PIECE DN80	1
3.2	2027548	> O-RING ID.89X7 NBR50SH A BLACK VP.	1
3.3	2027549	> HEXAGONAL-SHEET SCREWDIN7976 8,0x38 VZ	1
3.4	2027550	> DISC DIN9021 8,4 A2A	1
4	2037739	AIR EVACUATION PIPE DL FROM10/01 KIT	1
4.1	2037740	> PCV-HOSE DN16X4 VP.	
4.2	2037741	> VESSEL HOSE CONNECTION 1/2 90° VP.	1
4.3	2027563	> FLAT GASKET 30,7x20x2,5 RUBBER VP.	1
4.4	2027902	> HOSE CLAMP DIN3017-A-16-27X9-C7-W4 VP	1
5		VESSEL DRAINLIFT S KIT	1
2.12	2027539	> GASKET D.10MM NR GREY	
2.4	2027543	> HEXAGONAL SCREW DIN7976 6,3X32 A2 VP.	1
2.5	2027545	> DISC DIN9021 6,4 A2 STAINLESS STEEL VP.	1
3.2	2027548	> O-RING ID.89X7 NBR50SH A BLACK VP.	1
3.3	2027549	> HEXAGONAL-SHEET SCREWDIN7976 8,0x38 VZ	1
3.4	2027550	> DISC DIN9021 8,4 A2A	1
4.3	2027563	> FLAT GASKET 30,7x20x2,5 RUBBER VP.	1
	2067856	> COVER TR165X13 DRAINLIFT M/S VP.	1
5.1		> VESSEL PE WALL THICKNESS 7MM BLACK	1
	2027551	CAPASITOR PLUG 230V 30MF HAND FUNCTION	1
	2027552	MANSCHETTE DN70 KONFIX	1
	2027553	DAMMING PROTECTIVE STRIP DRAINLIFT	1
	2027910	GASKET DN100 F.ROTOR 110MM	1
F2	6025460	medical white oil 1L KIT	1
L11	2132529	WEICON LOCK AN306-30 20ML VP.	1
	6076975	PACKING DRAINLIFT S1/5 VP.	1

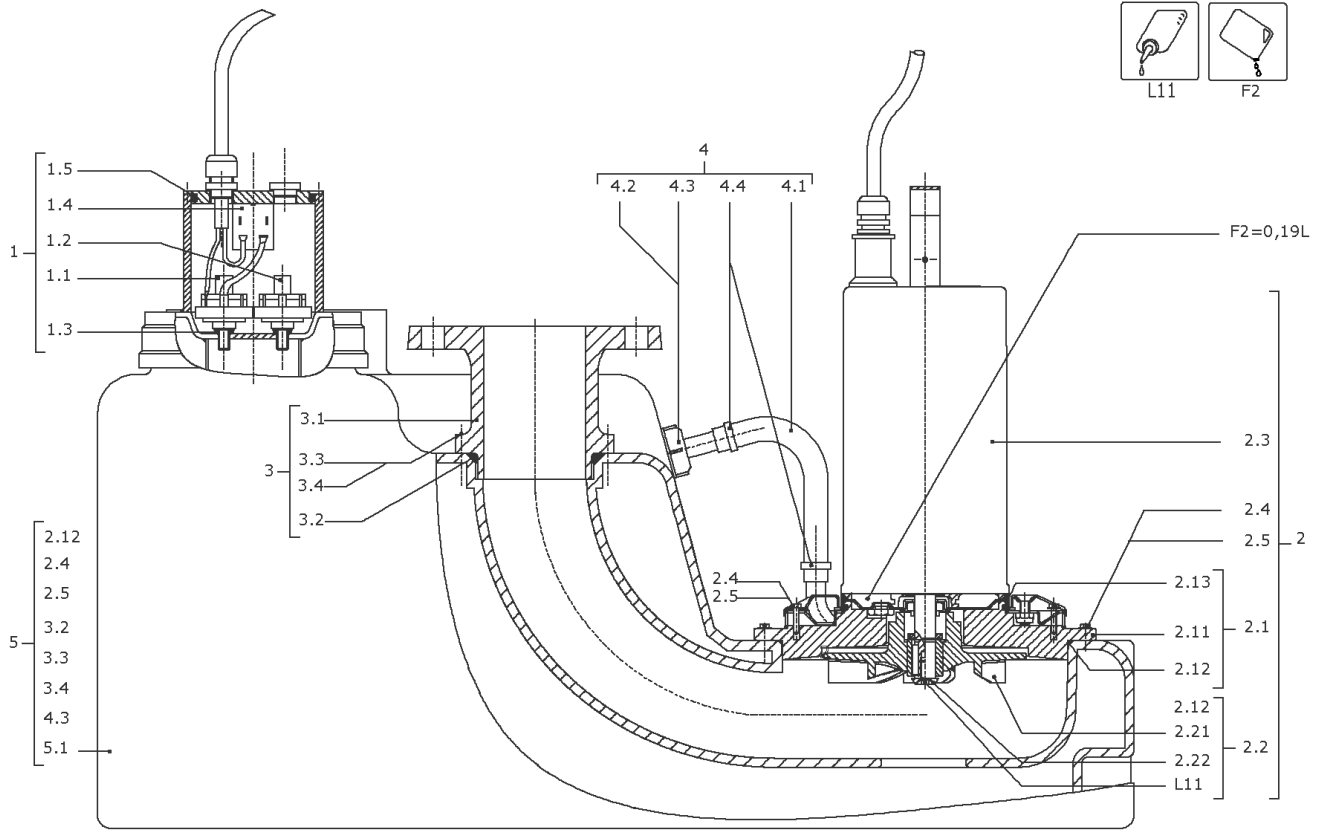


DRAINLIFT S1/5 EM O.RÜCKFLUSSVERH. (2523090)

Item	Article no.	Description	Quantity
1	2027531	LEVEL REGULATION DRAINLIFT S 230V	1
1.1	2027533	> PRESSURE SWITCH 180/100 YELLOW MARK VP.	1
1.2	2027534	> PRESSURE SWITCH 325/275 BLACK MARK VP.	1
1.3	4006400	> O-RING ID.9,19x2,62 EP1/1/5	1
1.4	2027535	> RELAIS 1S 30A/230VAC	1
1.5	2119963	> O-RING ID.88,27X5,33 NBR70 SHORE A VP.	1
2	2052571	PUMP UNIT DL-S1/5 1~230+HOSE VENT.KIT	1
2.1	2037738	> ADAPTER RING DLS+VENTILAT.FROM 10/01 KIT	1
2.11		>> ADAPTERRING DRAINL.S;WITH HOSE CONNECT.	1
2.12	2027539	>> GASKET D.10MM NR GREY	
2.13	2028703	>> O-RING ID.122X4 DIN3771 NBR70	1
2.2	2052434	> IMPELLER DRAINLIFT S/5 KIT	1
2.12	2027539	>> GASKET D.10MM NR GREY	
2.21		>> IMPELLER DRAINLIFT S1/5	1
2.22	2037743	>> IMPELLER FIXATION DLS/TP65 KIT	1
		>>> WASHER F.LR.F TP65	1
		>>> SCREW M8X20 F.LR.TP65	1
		>>> KEY B5X5X25 DIN6885 INOX 316TI	1
L11	2132529	>>> WEICON LOCK AN306-30 20ML VP.	1
2.3	2027541	> MOTOR CPL. DRAINLIFT S/M 1~230	1
2.4	2027543	> HEXAGONAL SCREW DIN7976 6,3X32 A2 VP.	1
2.5	2027545	> DISC DIN9021 6,4 A2 STAINLESS STEEL VP.	1
	4015653	> MS. MG1/17-G60-Q1Q1PGG-KIT	1
1.11	2048934	>> O-RING-ID.32X2,5 NBR70SR	1
1.31		>> ROTAT.SEALRING MG1/17-G60Q1Q1PGG.BURGMAN	1
1.32		>> CIRCLIP 17X1 DIN471 1.4122	1
1.34		>> RADIAL LIP SEAL-WDR-A-20X32X7-DIN376-NB	1
1.35	2048935	>> O-RING ID.123,42X3,53 NBR 70SR	1
1.35	4006725	>> O-RING ID.132,94x3,53 NBR70SR	1
1.36	4017965	>> O-RING D9,9X2,62 NITRILE 70SH	1
1.37		>> ROND.APPUI-GM-D17/30-EP.4-PP	1
1.38		>> MECHANICAL-SEAL-GUARD-NITRILE	1
		>> medical white oil 1L KIT	1
3	2027546	FLANGE TRANSFORMATION PIECE DN80 CPL.	1

DRAINLIFT S1/5 EM O.RÜCKFLUSSVERH. (2523090)

Item	Article no.	Description	Quantity
3.1	2027547	> FLANGE TRANSFORMATION PIECE DN80	1
3.2	2027548	> O-RING ID.89X7 NBR50SH A BLACK VP.	1
3.3	2027549	> HEXAGONAL-SHEET SCREWDIN7976 8,0x38 VZ	1
3.4	2027550	> DISC DIN9021 8,4 A2A	1
4	2037739	AIR EVACUATION PIPE DL FROM10/01 KIT	1
4.1	2037740	> PCV-HOSE DN16X4 VP.	
4.2	2037741	> VESSEL HOSE CONNECTION 1/2 90° VP.	1
4.3	2027563	> FLAT GASKET 30,7x20x2,5 RUBBER VP.	1
4.4	2027902	> HOSE CLAMP DIN3017-A-16-27X9-C7-W4 VP	1
5		VESSEL DRAINLIFT S KIT	1
2.12	2027539	> GASKET D.10MM NR GREY	
2.4	2027543	> HEXAGONAL SCREW DIN7976 6,3X32 A2 VP.	1
2.5	2027545	> DISC DIN9021 6,4 A2 STAINLESS STEEL VP.	1
3.2	2027548	> O-RING ID.89X7 NBR50SH A BLACK VP.	1
3.3	2027549	> HEXAGONAL-SHEET SCREWDIN7976 8,0x38 VZ	1
3.4	2027550	> DISC DIN9021 8,4 A2A	1
4.3	2027563	> FLAT GASKET 30,7x20x2,5 RUBBER VP.	1
	2067856	> COVER TR165X13 DRAINLIFT M/S VP.	1
5.1		> VESSEL PE WALL THICKNESS 7MM BLACK	1
	2027551	CAPASITOR PLUG 230V 30MF HAND FUNCTION	1
	2027552	MANSCHETTE DN70 KONFIX	1
	2027553	DAMMING PROTECTIVE STRIP DRAINLIFT	1
	2027910	GASKET DN100 F.ROTOR 110MM	1
F2	6025460	medical white oil 1L KIT	1
L11	2132529	WEICON LOCK AN306-30 20ML VP.	1
	6076975	PACKING DRAINLIFT S1/5 VP.	1
6	2049259	NON-RETURN-DEVICE DN80 PN10 GG25	1
	2012067	mounting accessories TP80	1

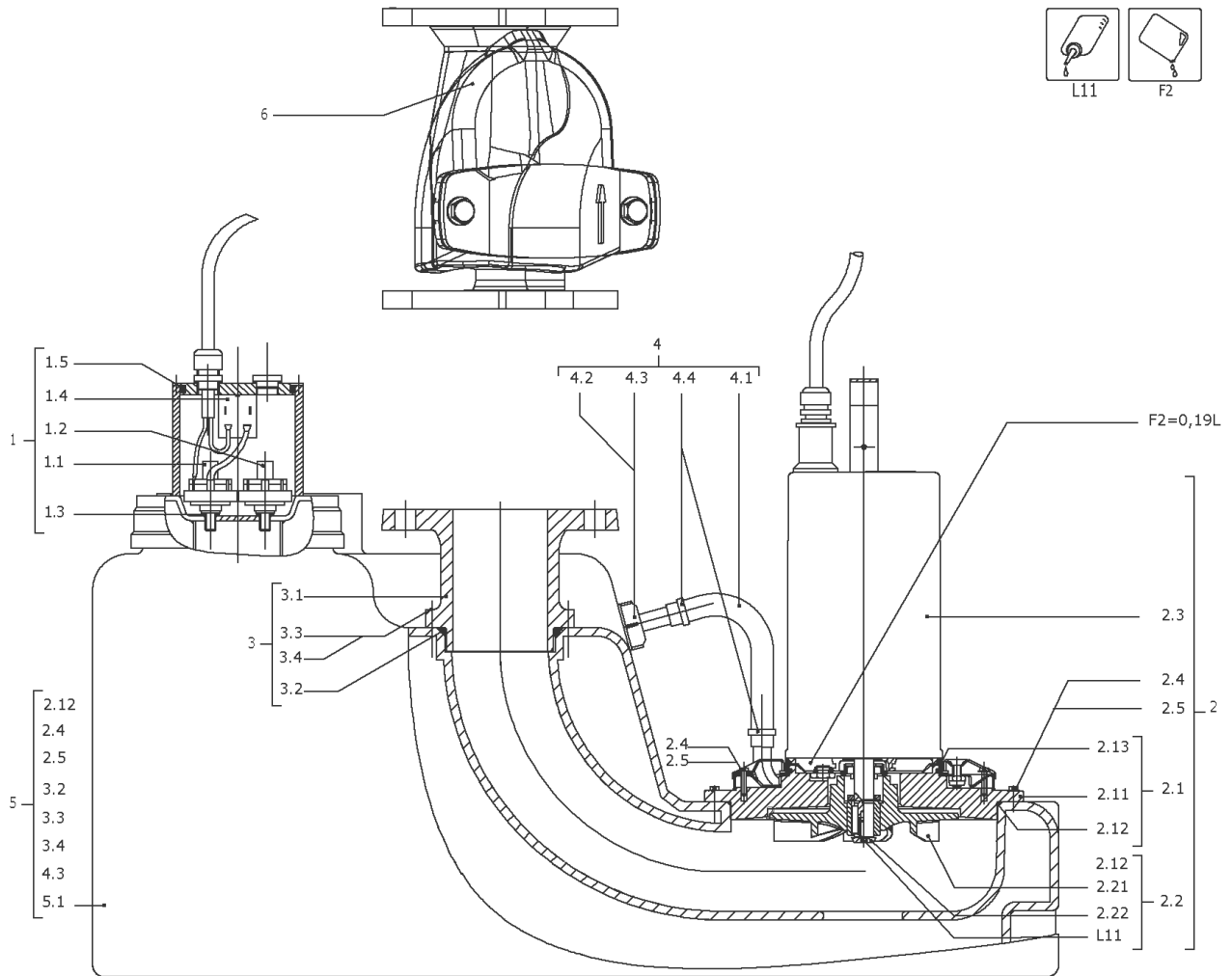


WILO-DRAINLIFT S1/5 (3~) (2520948)

Item	Article no.	Description	Quantity
1	2027532	LEVEL REGULATION DRAINLIFT S 400V	1
1.1	2027533	> PRESSURE SWITCH 180/100 YELLOW MARK VP.	1
1.2	2027534	> PRESSURE SWITCH 325/275 BLACK MARK VP.	1
1.3	4006400	> O-RING ID.9,19x2,62 EP1/1/5	1
1.5	2119963	> O-RING ID.88,27X5,33 NBR70 SHORE A VP.	1
2	2052573	PUMP UNIT DL-S1/5 3~400+HOSE VENT.KIT	1
2.1	2037738	> ADAPTER RING DLS+VENTILAT.FROM 10/01 KIT	1
2.11		>> ADAPTERRING DRAINL.S;WITH HOSE CONNECT.	1
2.12	2027539	>> GASKET D.10MM NR GREY	
2.13	2028703	>> O-RING ID.122X4 DIN3771 NBR70	1
2.2	2052434	> IMPELLER DRAINLIFT S/5 KIT	1
2.12	2027539	>> GASKET D.10MM NR GREY	
2.21		>> IMPELLER DRAINLIFT S1/5	1
2.22	2037743	>> IMPELLER FIXATION DLS/TP65 KIT	1
		>>> WASHER F.LR.F TP65	1
		>>> SCREW M8X20 F.LR.TP65	1
		>>> KEY B5X5X25 DIN6885 INOX 316TI	1
L11	2132529	>>> WEICON LOCK AN306-30 20ML VP.	1
2.3	2027542	> MOTOR CPL. DRAINLIFT S/M 3~400	1
2.4	2027543	> HEXAGONAL SCREW DIN7976 6,3X32 A2 VP.	1
2.5	2027545	> DISC DIN9021 6,4 A2 STAINLESS STEEL VP.	1
	4015653	> MS. MG1/17-G60-Q1Q1PGG-KIT	1
1.11	2048934	>> O-RING-ID.32X2,5 NBR70SR	1
1.31		>> ROTAT.SEALRING MG1/17-G60Q1Q1PGG.BURGMAN	1
1.32		>> CIRCLIP 17X1 DIN471 1.4122	1
1.34		>> RADIAL LIP SEAL-WDR-A-20X32X7-DIN376-NB	1
1.35	2048935	>> O-RING ID.123,42X3,53 NBR 70SR	1
1.35	4006725	>> O-RING ID.132,94x3,53 NBR70SR	1
1.36	4017965	>> O-RING D9,9X2,62 NITRILE 70SH	1
1.37		>> ROND.APPUI-GM-D17/30-EP.4-PP	1
1.38		>> MECHANICAL-SEAL-GUARD-NITRILE	1
		>> medical white oil 1L KIT	1
3	2027546	FLANGE TRANSFORMATION PIECE DN80 CPL.	1
3.1	2027547	> FLANGE TRANSFORMATION PIECE DN80	1

WILO-DRAINLIFT S1/5 (3~) (2520948)

Item	Article no.	Description	Quantity
3.2	2027548	> O-RING ID.89X7 NBR50SH A BLACK VP.	1
3.3	2027549	> HEXAGONAL-SHEET SCREWDIN7976 8,0x38 VZ	1
3.4	2027550	> DISC DIN9021 8,4 A2A	1
4	2037739	AIR EVACUATION PIPE DL FROM10/01 KIT	1
4.1	2037740	> PCV-HOSE DN16X4 VP.	
4.2	2037741	> VESSEL HOSE CONNECTION 1/2 90° VP.	1
4.3	2027563	> FLAT GASKET 30,7x20x2,5 RUBBER VP.	1
4.4	2027902	> HOSE CLAMP DIN3017-A-16-27X9-C7-W4 VP	1
5		VESSEL DRAINLIFT S KIT	1
2.12	2027539	> GASKET D.10MM NR GREY	
2.4	2027543	> HEXAGONAL SCREW DIN7976 6,3X32 A2 VP.	1
2.5	2027545	> DISC DIN9021 6,4 A2 STAINLESS STEEL VP.	1
3.2	2027548	> O-RING ID.89X7 NBR50SH A BLACK VP.	1
3.3	2027549	> HEXAGONAL-SHEET SCREWDIN7976 8,0x38 VZ	1
3.4	2027550	> DISC DIN9021 8,4 A2A	1
4.3	2027563	> FLAT GASKET 30,7x20x2,5 RUBBER VP.	1
	2067856	> COVER TR165X13 DRAINLIFT M/S VP.	1
5.1		> VESSEL PE WALL THICKNESS 7MM BLACK	1
	2028602	SAFETY CONTROL KIT 1.1KW-PW	1
	2027552	MANSCHETTE DN70 KONFIX	1
	2027553	DAMMING PROTECTIVE STRIP DRAINLIFT	1
	2027910	GASKET DN100 F.ROTOR 110MM	1
F2	6025460	medical white oil 1L KIT	1
L11	2132529	WEICON LOCK AN306-30 20ML VP.	1
	6076975	PACKING DRAINLIFT S1/5 VP.	1

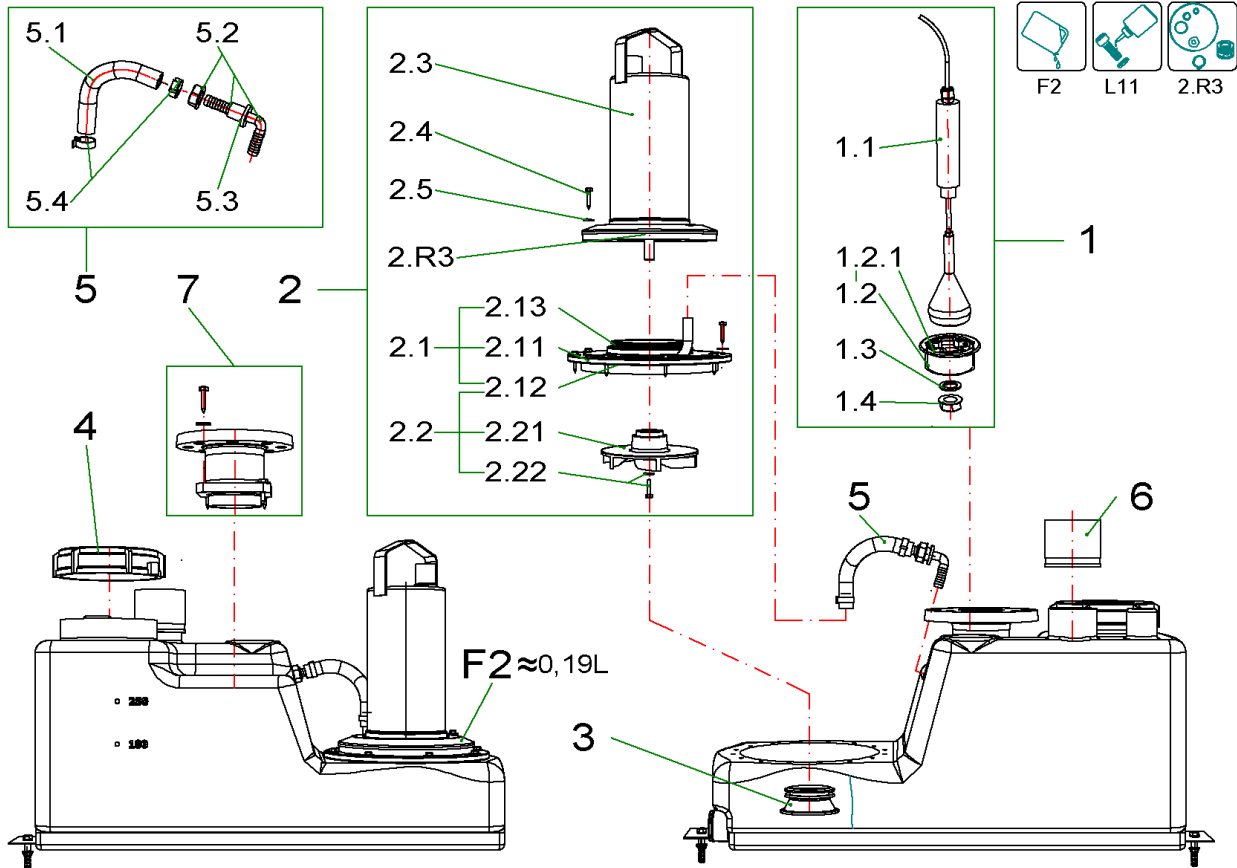


WILO-DRAINLIFT S1/5 (3~) (2523091)

Item	Article no.	Description	Quantity
1	2027532	LEVEL REGULATION DRAINLIFT S 400V	1
1.1	2027533	> PRESSURE SWITCH 180/100 YELLOW MARK VP.	1
1.2	2027534	> PRESSURE SWITCH 325/275 BLACK MARK VP.	1
1.3	4006400	> O-RING ID.9,19x2,62 EP1/1/5	1
1.5	2119963	> O-RING ID.88,27X5,33 NBR70 SHORE A VP.	1
2	2052573	PUMP UNIT DL-S1/5 3~400+HOSE VENT.KIT	1
2.1	2037738	> ADAPTER RING DLS+VENTILAT.FROM 10/01 KIT	1
2.11		>> ADAPTERRING DRAINL.S;WITH HOSE CONNECT.	1
2.12	2027539	>> GASKET D.10MM NR GREY	
2.13	2028703	>> O-RING ID.122X4 DIN3771 NBR70	1
2.2	2052434	> IMPELLER DRAINLIFT S/5 KIT	1
2.12	2027539	>> GASKET D.10MM NR GREY	
2.21		>> IMPELLER DRAINLIFT S1/5	1
2.22	2037743	>> IMPELLER FIXATION DLS/TP65 KIT	1
		>>> WASHER F.LR.F TP65	1
		>>> SCREW M8X20 F.LR.TP65	1
		>>> KEY B5X5X25 DIN6885 INOX 316TI	1
L11	2132529	>>> WEICON LOCK AN306-30 20ML VP.	1
2.3	2027542	> MOTOR CPL. DRAINLIFT S/M 3~400	1
2.4	2027543	> HEXAGONAL SCREW DIN7976 6,3X32 A2 VP.	1
2.5	2027545	> DISC DIN9021 6,4 A2 STAINLESS STEEL VP.	1
	4015653	> MS. MG1/17-G60-Q1Q1PGG-KIT	1
1.11	2048934	>> O-RING-ID.32X2,5 NBR70SR	1
1.31		>> ROTAT.SEALRING MG1/17-G60Q1Q1PGG.BURGMAN	1
1.32		>> CIRCLIP 17X1 DIN471 1.4122	1
1.34		>> RADIAL LIP SEAL-WDR-A-20X32X7-DIN376-NB	1
1.35	2048935	>> O-RING ID.123,42X3,53 NBR 70SR	1
1.35	4006725	>> O-RING ID.132,94x3,53 NBR70SR	1
1.36	4017965	>> O-RING D9,9X2,62 NITRILE 70SH	1
1.37		>> ROND.APPUI-GM-D17/30-EP.4-PP	1
1.38		>> MECHANICAL-SEAL-GUARD-NITRILE	1
		>> medical white oil 1L KIT	1
3	2027546	FLANGE TRANSFORMATION PIECE DN80 CPL.	1
3.1	2027547	> FLANGE TRANSFORMATION PIECE DN80	1

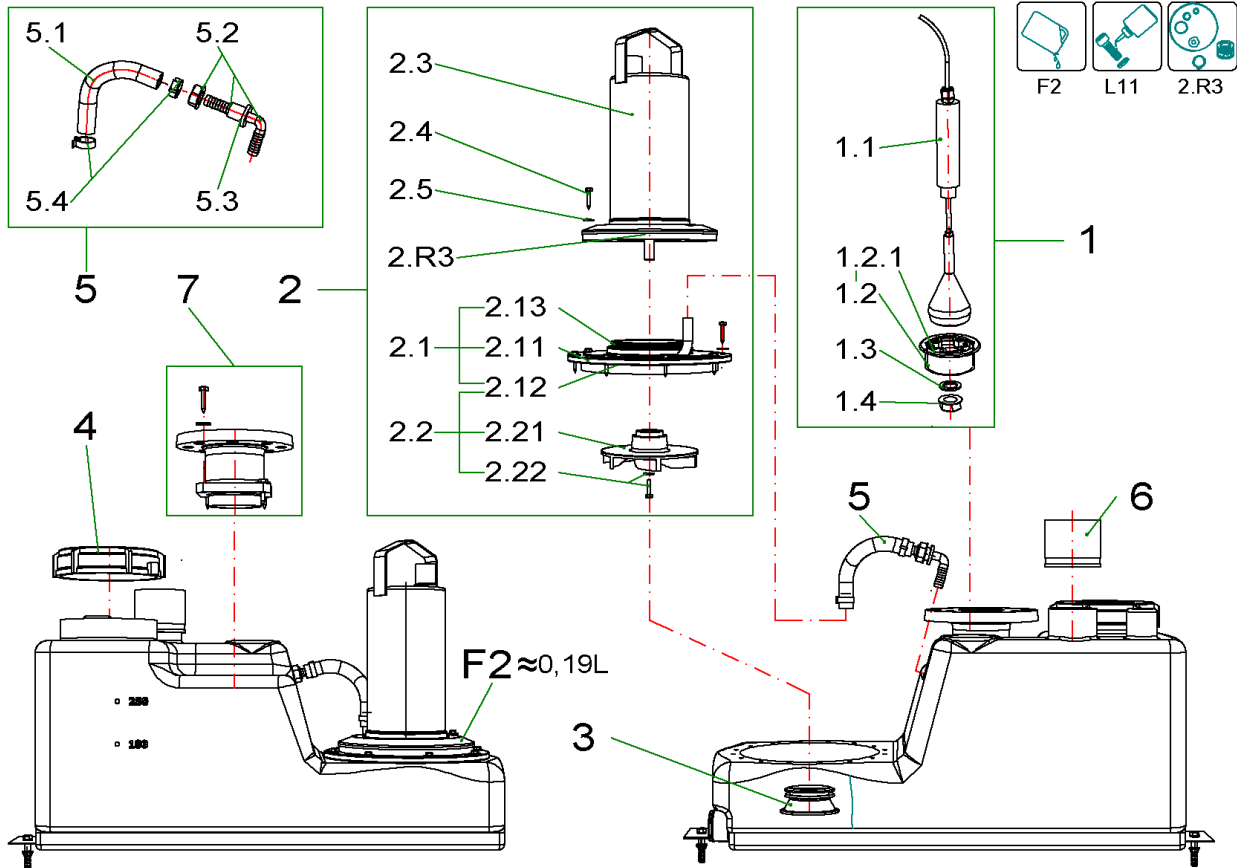
WILO-DRAINLIFT S1/5 (3~) (2523091)

Item	Article no.	Description	Quantity
3.2	2027548	> O-RING ID.89X7 NBR50SH A BLACK VP.	1
3.3	2027549	> HEXAGONAL-SHEET SCREWDIN7976 8,0x38 VZ	1
3.4	2027550	> DISC DIN9021 8,4 A2A	1
4	2037739	AIR EVACUATION PIPE DL FROM10/01 KIT	1
4.1	2037740	> PCV-HOSE DN16X4 VP.	
4.2	2037741	> VESSEL HOSE CONNECTION 1/2 90° VP.	1
4.3	2027563	> FLAT GASKET 30,7x20x2,5 RUBBER VP.	1
4.4	2027902	> HOSE CLAMP DIN3017-A-16-27X9-C7-W4 VP	1
5		VESSEL DRAINLIFT S KIT	1
2.12	2027539	> GASKET D.10MM NR GREY	
2.4	2027543	> HEXAGONAL SCREW DIN7976 6,3X32 A2 VP.	1
2.5	2027545	> DISC DIN9021 6,4 A2 STAINLESS STEEL VP.	1
3.2	2027548	> O-RING ID.89X7 NBR50SH A BLACK VP.	1
3.3	2027549	> HEXAGONAL-SHEET SCREWDIN7976 8,0x38 VZ	1
3.4	2027550	> DISC DIN9021 8,4 A2A	1
4.3	2027563	> FLAT GASKET 30,7x20x2,5 RUBBER VP.	1
	2067856	> COVER TR165X13 DRAINLIFT M/S VP.	1
5.1		> VESSEL PE WALL THICKNESS 7MM BLACK	1
	2028602	SAFETY CONTROL KIT 1.1KW-PW	1
	2027552	MANSCHETTE DN70 KONFIX	1
	2027553	DAMMING PROTECTIVE STRIP DRAINLIFT	1
	2027910	GASKET DN100 F.ROTOR 110MM	1
F2	6025460	medical white oil 1L KIT	1
L11	2132529	WEICON LOCK AN306-30 20ML VP.	1
	6076975	PACKING DRAINLIFT S1/5 VP.	1
6	2049259	NON-RETURN-DEVICE DN80 PN10 GG25	1
	2012067	mounting accessories TP80	1



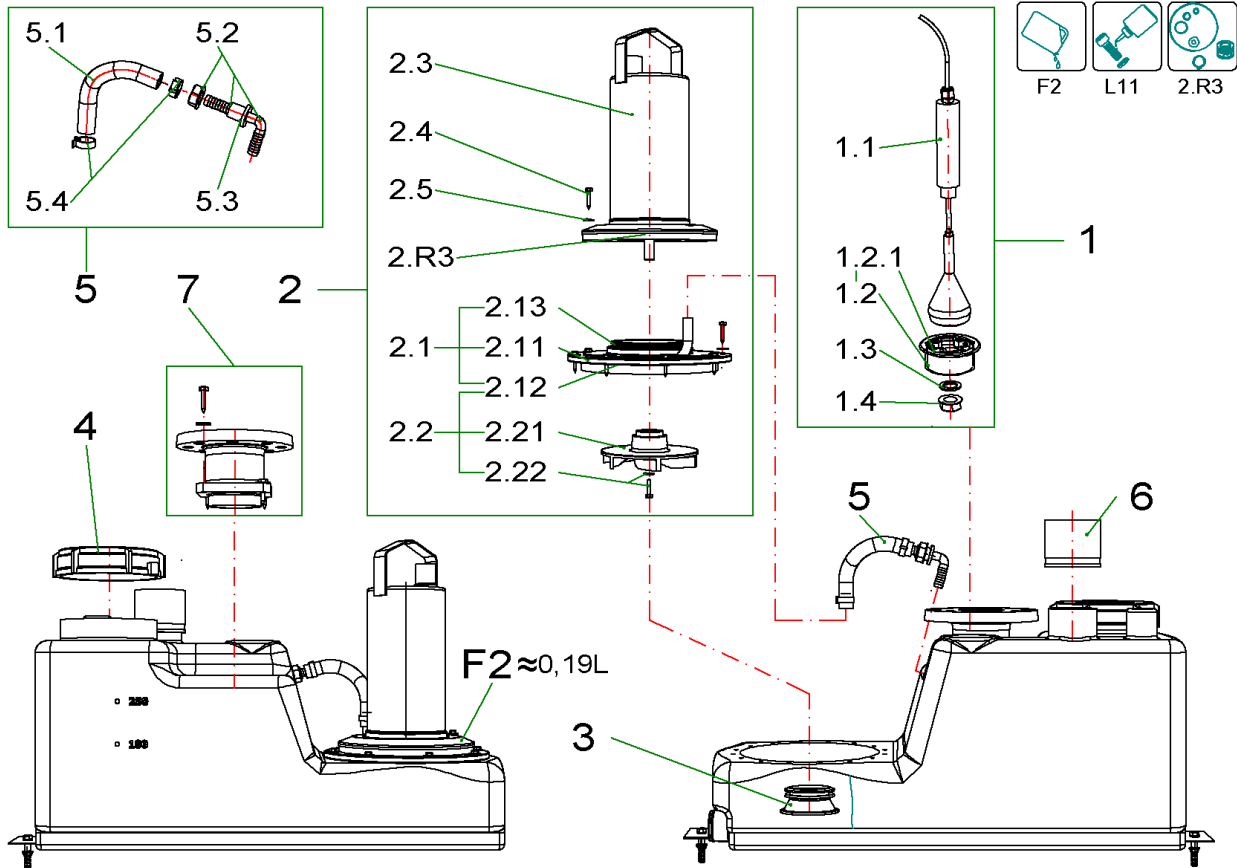
WILO DRAINLIFT S1/6M (2544860)

Item	Article no.	Description	Quantity
L11	2132529	WEICON LOCK AN306-30 20ML VP.	1
F2	6025460	medical white oil 1L KIT	1
1	6220157	Level controller S1/6 KIT	1
1.1		> FLOAT SWITCH SR 801 (WILO)	1
1.2		> COVER SG71X4 BORED	1
1.2.1	6220158	> O-Ring ID.70,0x4,0 NBR70 VP.	1
1.3	2027563	> FLAT GASKET 30,7x20x2,5 RUBBER VP.	1
1.4	2096404	> LOCK NUT 1/2"PP VP.	1
2	2037736	PUMP UNIT DLS 1~230+HOSE VENT.FROM10/01	1
2.1	2037738	ADAPTER RING DLS+VENTILAT.FROM 10/01 KIT	1
2.12	2027539	GASKET D.10MM NR GREY	
2.13	2028703	O-RING ID.122X4 DIN3771 NBR70	1
2.2	2027540	IMPELLER DRAINLIFT D.170 KIT	1
2.22	2037743	IMPELLER FIXATION DLS/TP65 KIT	1
2.3	2027541	MOTOR CPL. DRAINLIFT S/M 1~230	1
2.R3	4015653	MS. MG1/17-G60-Q1Q1PGG-KIT	1
3	6220159	Low water suction device NBR60 VP.	1
4	2067856	COVER TR165X13 DRAINLIFT M/S VP.	1
5	6220160	Air evacuation pipe DrainLift S1/6 KIT	1
5.1	2037740	> PCV-HOSE DN16X4 VP.	
5.2	2037741	> VESSEL HOSE CONNECTION 1/2 90° VP.	1
5.3	2027563	> FLAT GASKET 30,7x20x2,5 RUBBER VP.	1
5.4	2027902	> HOSE CLAMP DIN3017-A-16-27X9-C7-W4 VP	2
6	2027552	MANSCHETTE DN70 KONFIX	1
7	2027546	FLANGE TRANSFORMATION PIECE DN80 CPL.	1
	6220161	Packing DrainLift S1/6-7 KIT	1
	6070159	W-CTRL-MS-L-1x4kW-M-DOL-S VP.	1



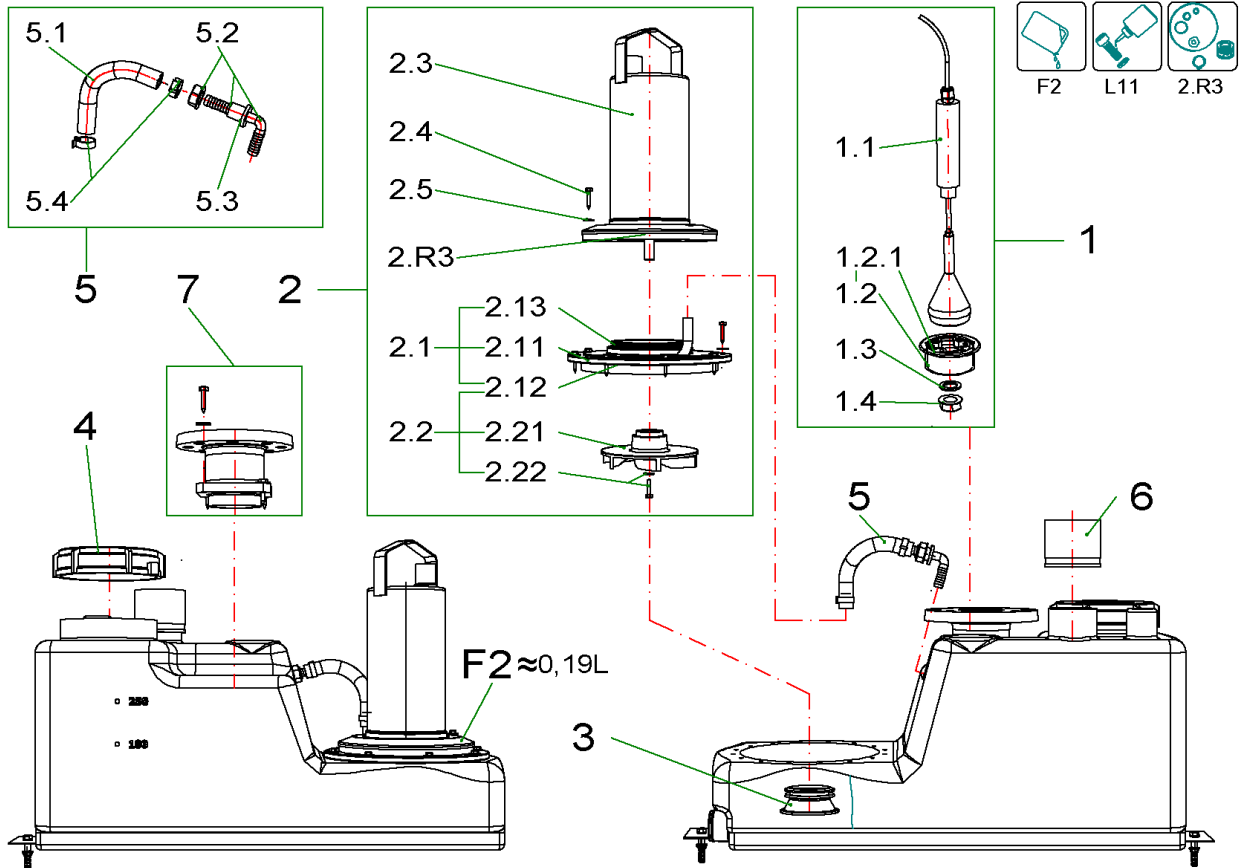
WILO DRAINLIFT S1/6T (2544861)

Item	Article no.	Description	Quantity
L11	2132529	WEICON LOCK AN306-30 20ML VP.	1
F2	6025460	medical white oil 1L KIT	1
1	6220157	Level controller S1/6 KIT	1
1.1		> FLOAT SWITCH SR 801 (WILO)	1
1.2		> COVER SG71X4 BORED	1
1.2.1	6220158	> O-Ring ID.70,0x4,0 NBR70 VP.	1
1.3	2027563	> FLAT GASKET 30,7x20x2,5 RUBBER VP.	1
1.4	2096404	> LOCK NUT 1/2"PP VP.	1
2	2037737	PUMP UNIT DLS 3~400+HOSE VENT.FROM 10/01	1
2.1	2037738	ADAPTER RING DLS+VENTILAT.FROM 10/01 KIT	1
2.12	2027539	GASKET D.10MM NR GREY	
2.13	2028703	O-RING ID.122X4 DIN3771 NBR70	1
2.2	2027540	IMPELLER DRAINLIFT D.170 KIT	1
2.22	2037743	IMPELLER FIXATION DLS/TP65 KIT	1
2.3	2027541	MOTOR CPL. DRAINLIFT S/M 1~230	1
2.R3	4015653	MS. MG1/17-G60-Q1Q1PGG-KIT	1
3	6220159	Low water suction device NBR60 VP.	1
4	2067856	COVER TR165X13 DRAINLIFT M/S VP.	1
5	6220160	Air evacuation pipe DrainLift S1/6 KIT	1
5.1	2037740	> PCV-HOSE DN16X4 VP.	
5.2	2037741	> VESSEL HOSE CONNECTION 1/2 90° VP.	1
5.3	2027563	> FLAT GASKET 30,7x20x2,5 RUBBER VP.	1
5.4	2027902	> HOSE CLAMP DIN3017-A-16-27X9-C7-W4 VP	2
6	2027552	MANSCHETTE DN70 KONFIX	1
7	2027546	FLANGE TRANSFORMATION PIECE DN80 CPL.	1
	6220161	Packing DrainLift S1/6-7 KIT	1
	6070160	W-CTRL-MS-L-1x4kW-T4-DOL-S VP.	1



WILO DRAINLIFT S1/6M-RV (2544876)

Item	Article no.	Description	Quantity
L11	2132529	WEICON LOCK AN306-30 20ML VP.	1
F2	6025460	medical white oil 1L KIT	1
1	6220157	Level controller S1/6 KIT	1
1.1		> FLOAT SWITCH SR 801 (WILO)	1
1.2		> COVER SG71X4 BORED	1
1.2.1	6220158	> O-Ring ID.70,0x4,0 NBR70 VP.	1
1.3	2027563	> FLAT GASKET 30,7x20x2,5 RUBBER VP.	1
1.4	2096404	> LOCK NUT 1/2"PP VP.	1
2	2037736	PUMP UNIT DLS 1~230+HOSE VENT.FROM10/01	1
2.1	2037738	ADAPTER RING DLS+VENTILAT.FROM 10/01 KIT	1
2.12	2027539	GASKET D.10MM NR GREY	
2.13	2028703	O-RING ID.122X4 DIN3771 NBR70	1
2.2	2027540	IMPELLER DRAINLIFT D.170 KIT	1
2.22	2037743	IMPELLER FIXATION DLS/TP65 KIT	1
2.3	2027541	MOTOR CPL. DRAINLIFT S/M 1~230	1
2.R3	4015653	MS. MG1/17-G60-Q1Q1PGG-KIT	1
3	6220159	Low water suction device NBR60 VP.	1
4	2067856	COVER TR165X13 DRAINLIFT M/S VP.	1
5	6220160	Air evacuation pipe DrainLift S1/6 KIT	1
5.1	2037740	> PCV-HOSE DN16X4 VP.	
5.2	2037741	> VESSEL HOSE CONNECTION 1/2 90° VP.	1
5.3	2027563	> FLAT GASKET 30,7x20x2,5 RUBBER VP.	1
5.4	2027902	> HOSE CLAMP DIN3017-A-16-27X9-C7-W4 VP	2
6	2027552	MANSCHETTE DN70 KONFIX	1
7	2027546	FLANGE TRANSFORMATION PIECE DN80 CPL.	1
	6220161	Packing DrainLift S1/6-7 KIT	1
	6070159	W-CTRL-MS-L-1x4kW-M-DOL-S VP.	1
	2017286	NON-RETURN-DEVICE DN80PN10-16 GG25	1
	2012067	mounting accessories TP80	1

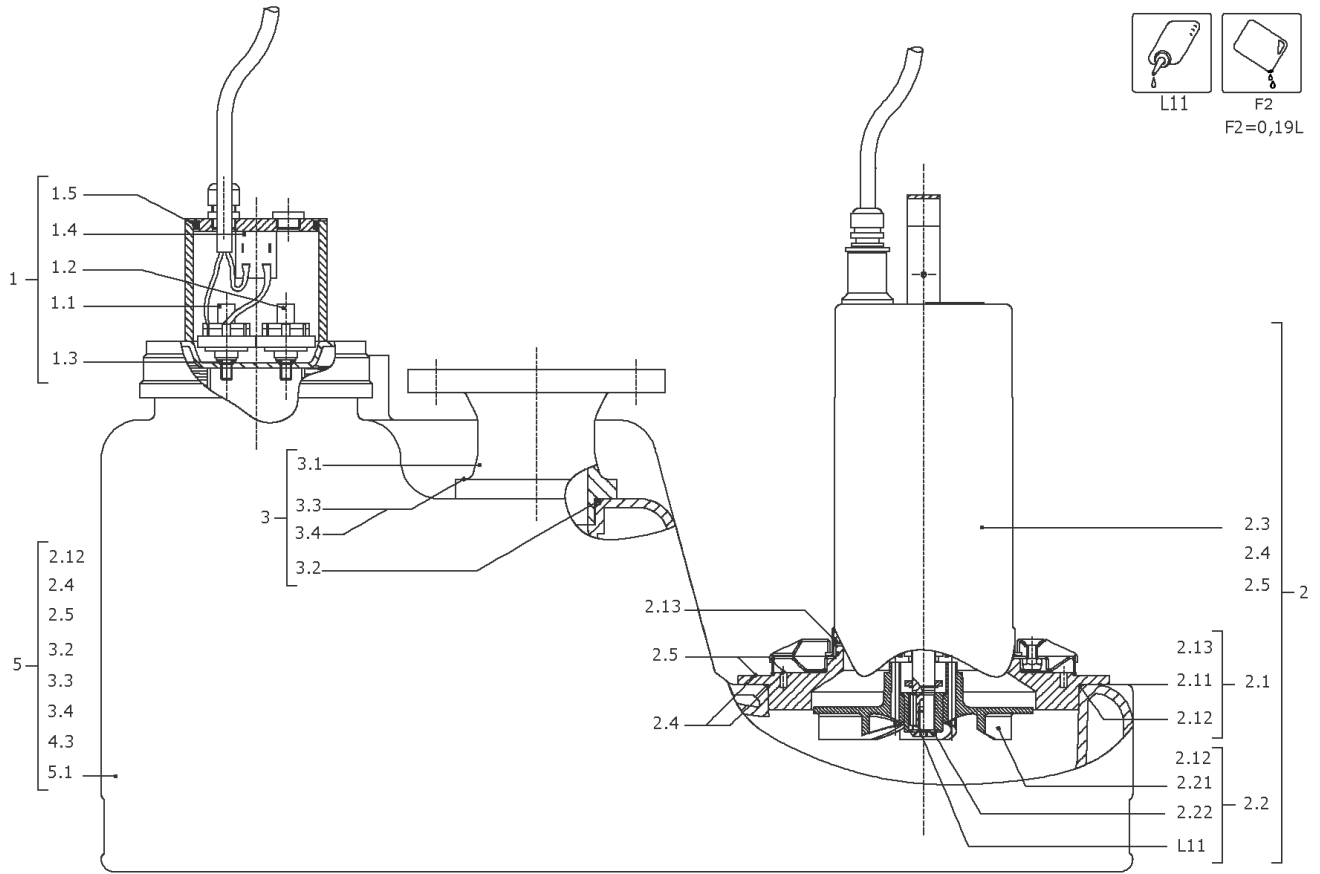


WILO DRAINLIFT S1/6T-RV (2544877)

Item	Article no.	Description	Quantity
L11	2132529	WEICON LOCK AN306-30 20ML VP.	1
F2	6025460	medical white oil 1L KIT	1
1	6220157	Level controller S1/6 KIT	1
1.1		> FLOAT SWITCH SR 801 (WILO)	1
1.2		> COVER SG71X4 BORED	1
1.2.1	6220158	> O-Ring ID.70,0x4,0 NBR70 VP.	1
1.3	2027563	> FLAT GASKET 30,7x20x2,5 RUBBER VP.	1
1.4	2096404	> LOCK NUT 1/2"PP VP.	1
2	2037737	PUMP UNIT DLS 3~400+HOSE VENT.FROM 10/01	1
2.1	2037738	ADAPTER RING DLS+VENTILAT.FROM 10/01 KIT	1
2.12	2027539	GASKET D.10MM NR GREY	
2.13	2028703	O-RING ID.122X4 DIN3771 NBR70	1
2.2	2027540	IMPELLER DRAINLIFT D.170 KIT	1
2.22	2037743	IMPELLER FIXATION DLS/TP65 KIT	1
2.3	2027541	MOTOR CPL. DRAINLIFT S/M 1~230	1
2.R3	4015653	MS. MG1/17-G60-Q1Q1PGG-KIT	1
3	6220159	Low water suction device NBR60 VP.	1
4	2067856	COVER TR165X13 DRAINLIFT M/S VP.	1
5	6220160	Air evacuation pipe DrainLift S1/6 KIT	1
5.1	2037740	> PCV-HOSE DN16X4 VP.	
5.2	2037741	> VESSEL HOSE CONNECTION 1/2 90° VP.	1
5.3	2027563	> FLAT GASKET 30,7x20x2,5 RUBBER VP.	1
5.4	2027902	> HOSE CLAMP DIN3017-A-16-27X9-C7-W4 VP	2
6	2027552	MANSCHETTE DN70 KONFIX	1
7	2027546	FLANGE TRANSFORMATION PIECE DN80 CPL.	1
	6220161	Packing DrainLift S1/6-7 KIT	1
	6070160	W-CTRL-MS-L-1x4kW-T4-DOL-S VP.	1
	2017286	NON-RETURN-DEVICE DN80PN10-16 GG25	1
	2012067	mounting accessories TP80	1

WILO-DRAINLIFT S1/7 (1~) (2512739)

Description	Quantity
WILO-DRAINLIFT S1/7 1~230 TO 09/01	1
WILO-DRAINLIFT S1/7 1~230 FROM 10/01	1

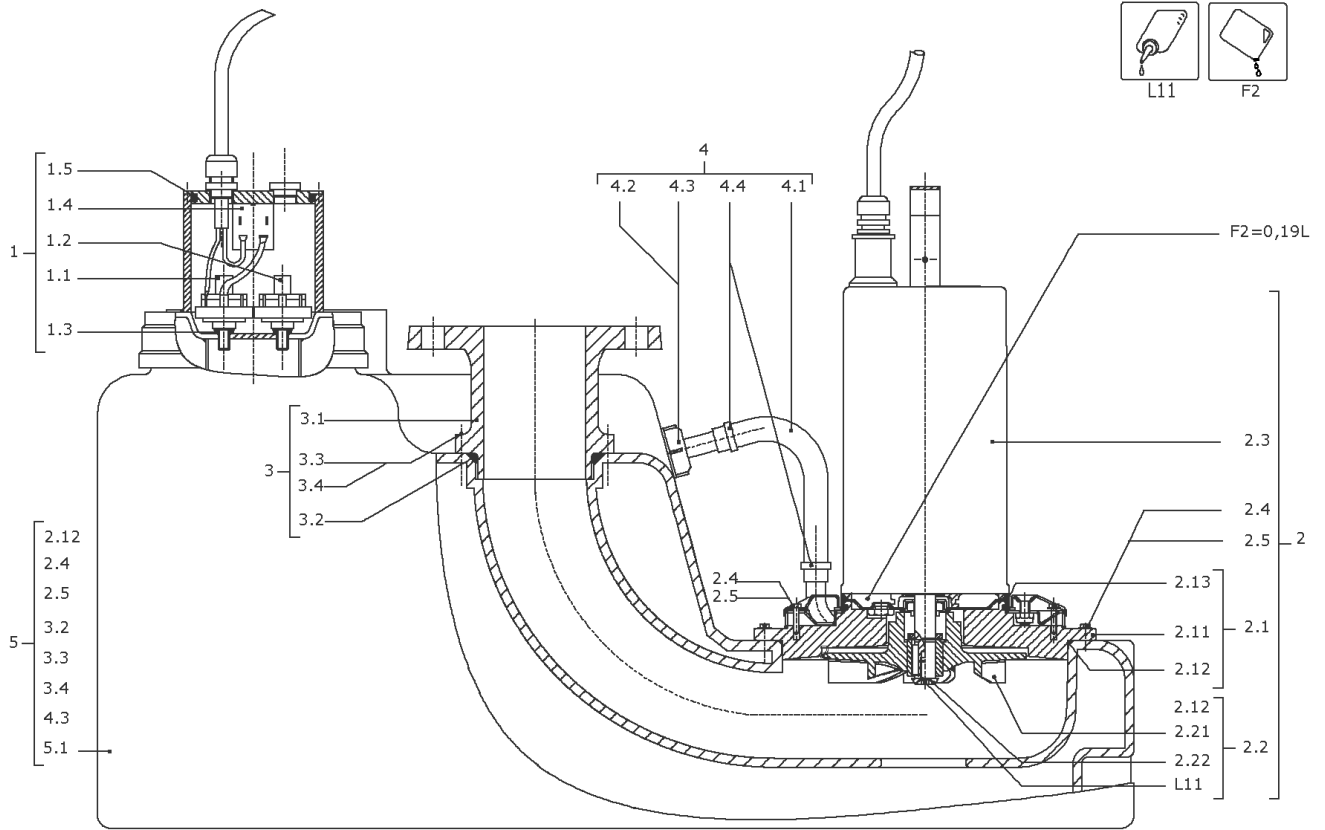


WILO-DRAINLIFT S1/7 1~230 TO 09/01

Item	Article no.	Description	Quantity
1	2027531	LEVEL REGULATION DRAINLIFT S 230V	1
1.1	2027533	> PRESSURE SWITCH 180/100 YELLOW MARK VP.	1
1.2	2027534	> PRESSURE SWITCH 325/275 BLACK MARK VP.	1
1.3	4006400	> O-RING ID.9,19x2,62 EP1/1/5	1
1.4	2027535	> RELAIS 1S 30A/230VAC	1
1.5	2119963	> O-RING ID.88,27X5,33 NBR70 SHORE A VP.	1
2	2037734	EXCHANGE SET PUMP UNIT 1~230 CPL.DLS	1
2.1		> ADAPTER RING DRAINLIFT S TO 09/01 KIT	1
Note: no longer available / nicht mehr lieferbar / ne plus disponible			
2.11		>> ADAPTERRING DRAINLIFT S	1
2.12	2027539	>> GASKET D.10MM NR GREY	
2.13	2028703	>> O-RING ID.122X4 DIN3771 NBR70	1
2.2	2027540	> IMPELLER DRAINLIFT D.170 KIT	1
2.12	2027539	>> GASKET D.10MM NR GREY	
2.21		>> IMPELLER DRAINLIFT S CPL.	1
2.22	2037743	>> IMPELLER FIXATION DLS/TP65 KIT	1
		>>> WASHER F.LR.F TP65	1
		>>> SCREW M8X20 F.LR.TP65	1
		>>> KEY B5X5X25 DIN6885 INOX 316TI	1
L11	2132529	>>> WEICON LOCK AN306-30 20ML VP.	1
2.3	2027541	> MOTOR CPL. DRAINLIFT S/M 1~230	1
2.4	2027543	> HEXAGONAL SCREW DIN7976 6,3X32 A2 VP.	1
2.5	2027545	> DISC DIN9021 6,4 A2 STAINLESS STEEL VP.	1
	4015653	> MS. MG1/17-G60-Q1Q1PGG-KIT	1
1.11	2048934	>> O-RING-ID.32X2,5 NBR70SR	1
1.31		>> ROTAT.SEALRING MG1/17-G60Q1Q1PGG.BURGMAN	1
1.32		>> CIRCLIP 17X1 DIN471 1.4122	1
1.34		>> RADIAL LIP SEAL-WDR-A-20X32X7-DIN376-NB	1
1.35	2048935	>> O-RING ID.123,42X3,53 NBR 70SR	1
1.35	4006725	>> O-RING ID.132,94x3,53 NBR70SR	1
1.36	4017965	>> O-RING D9,9X2,62 NITRILE 70SH	1
1.37		>> ROND.APPUI-GM-D17/30-EP.4-PP	1
1.38		>> MECHANICAL-SEAL-GUARD-NITRILE	1
		>> medical white oil 1L KIT	1

WILO-DRAINLIFT S1/7 1~230 TO 09/01

Item	Article no.	Description	Quantity
3	2027546	FLANGE TRANSFORMATION PIECE DN80 CPL.	1
3.1	2027547	> FLANGE TRANSFORMATION PIECE DN80	1
3.2	2027548	> O-RING ID.89X7 NBR50SH A BLACK VP.	1
3.3	2027549	> HEXAGONAL-SHEET SCREWDIN7976 8,0x38 VZ	1
3.4	2027550	> DISC DIN9021 8,4 A2A	1
5		VESSEL DRAINLIFT S KIT	1
Note: nicht mehr lieferbar / no longer available / ne plus disponible			
2.12	2027539	> GASKET D.10MM NR GREY	
2.4	2027543	> HEXAGONAL SCREW DIN7976 6,3X32 A2 VP.	1
2.5	2027545	> DISC DIN9021 6,4 A2 STAINLESS STEEL VP.	1
3.2	2027548	> O-RING ID.89X7 NBR50SH A BLACK VP.	1
3.3	2027549	> HEXAGONAL-SHEET SCREWDIN7976 8,0x38 VZ	1
3.4	2027550	> DISC DIN9021 8,4 A2A	1
4.3	2027563	> FLAT GASKET 30,7x20x2,5 RUBBER VP.	1
	2067856	> COVER TR165X13 DRAINLIFT M/S VP.	1
5.1		> VESSEL PE WALL THICKNESS 7MM BLACK	1
	2027551	CAPASITOR PLUG 230V 30MF HAND FUNCTION	1
	2027552	MANSCHETTE DN70 KONFIX	1
	2027553	DAMMING PROTECTIVE STRIP DRAINLIFT	1
	2027910	GASKET DN100 F.ROTOR 110MM	1
F2	6025460	medical white oil 1L KIT	1
L11	2132529	WEICON LOCK AN306-30 20ML VP.	1



WILO-DRAINLIFT S1/7 1~230 FROM 10/01

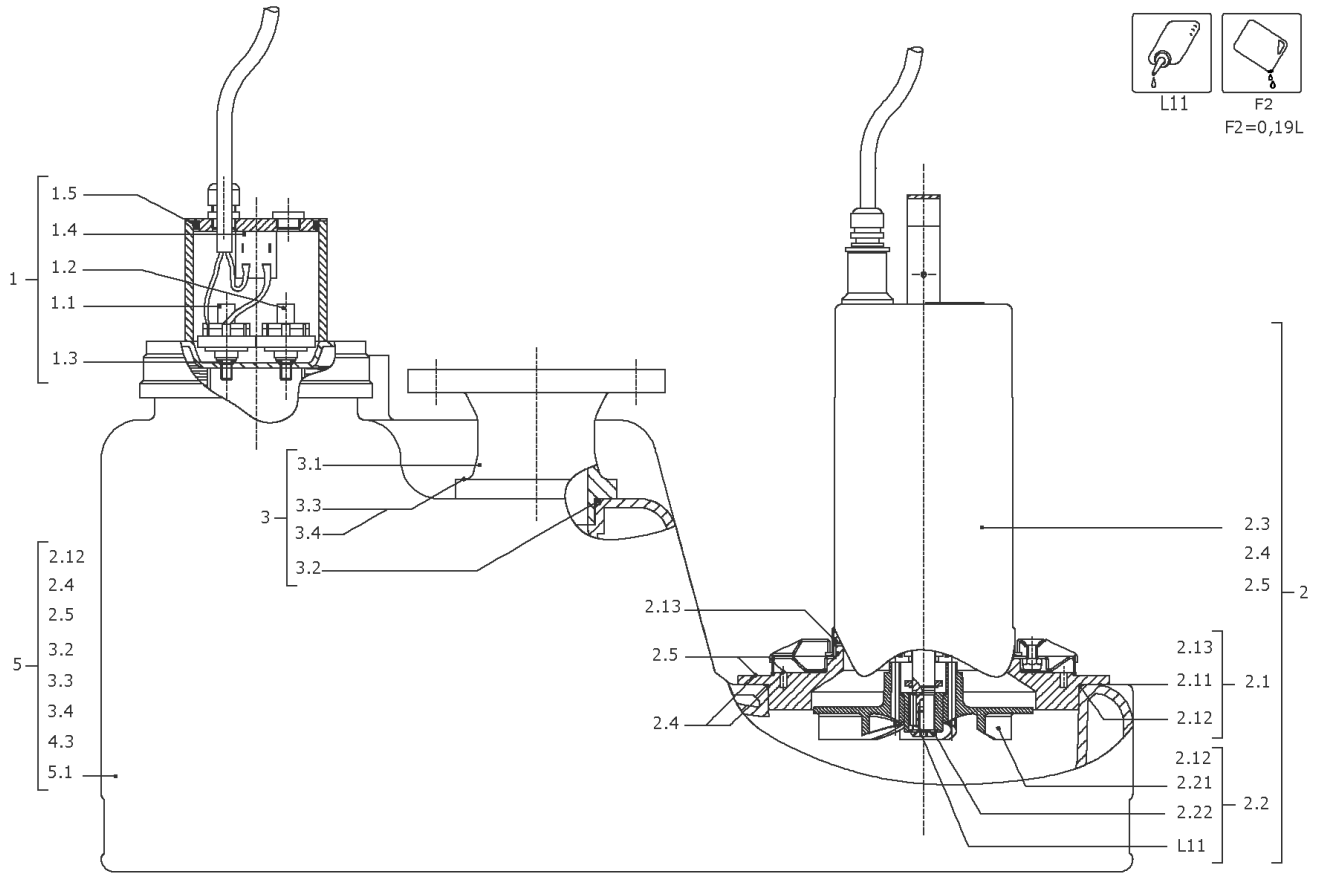
Item	Article no.	Description	Quantity
1	2027531	LEVEL REGULATION DRAINLIFT S 230V	1
1.1	2027533	> PRESSURE SWITCH 180/100 YELLOW MARK VP.	1
1.2	2027534	> PRESSURE SWITCH 325/275 BLACK MARK VP.	1
1.3	4006400	> O-RING ID.9,19x2,62 EP1/1/5	1
1.4	2027535	> RELAIS 1S 30A/230VAC	1
1.5	2119963	> O-RING ID.88,27X5,33 NBR70 SHORE A VP.	1
2	2037736	PUMP UNIT DLS 1~230+HOSE VENT.FROM10/01	1
2.1	2037738	> ADAPTER RING DLS+VENTILAT.FROM 10/01 KIT	1
2.11		>> ADAPTERRING DRAINL.S;WITH HOSE CONNECT.	1
2.12	2027539	>> GASKET D.10MM NR GREY	
2.13	2028703	>> O-RING ID.122X4 DIN3771 NBR70	1
2.2	2027540	> IMPELLER DRAINLIFT D.170 KIT	1
2.12	2027539	>> GASKET D.10MM NR GREY	
2.21		>> IMPELLER DRAINLIFT S CPL.	1
2.22	2037743	>> IMPELLER FIXATION DLS/TP65 KIT	1
		>>> WASHER F.LR.F TP65	1
		>>> SCREW M8X20 F.LR.TP65	1
		>>> KEY B5X5X25 DIN6885 INOX 316TI	1
L11	2132529	>>> WEICON LOCK AN306-30 20ML VP.	1
2.3	2027541	> MOTOR CPL. DRAINLIFT S/M 1~230	1
2.4	2027543	> HEXAGONAL SCREW DIN7976 6,3X32 A2 VP.	1
2.5	2027545	> DISC DIN9021 6,4 A2 STAINLESS STEEL VP.	1
	4015653	> MS. MG1/17-G60-Q1Q1PGG-KIT	1
1.11	2048934	>> O-RING-ID.32X2,5 NBR70SR	1
1.31		>> ROTAT.SEALRING MG1/17-G60Q1Q1PGG.BURGMAN	1
1.32		>> CIRCLIP 17X1 DIN471 1.4122	1
1.34		>> RADIAL LIP SEAL-WDR-A-20X32X7-DIN376-NB	1
1.35	2048935	>> O-RING ID.123,42X3,53 NBR 70SR	1
1.35	4006725	>> O-RING ID.132,94x3,53 NBR70SR	1
1.36	4017965	>> O-RING D9,9X2,62 NITRILE 70SH	1
1.37		>> ROND.APPUI-GM-D17/30-EP.4-PP	1
1.38		>> MECHANICAL-SEAL-GUARD-NITRILE	1
		>> medical white oil 1L KIT	1
3	2027546	FLANGE TRANSFORMATION PIECE DN80 CPL.	1

WILO-DRAINLIFT S1/7 1~230 FROM 10/01

Item	Article no.	Description	Quantity
3.1	2027547	> FLANGE TRANSFORMATION PIECE DN80	1
3.2	2027548	> O-RING ID.89X7 NBR50SH A BLACK VP.	1
3.3	2027549	> HEXAGONAL-SHEET SCREWDIN7976 8,0x38 VZ	1
3.4	2027550	> DISC DIN9021 8,4 A2A	1
4	2037739	AIR EVACUATION PIPE DL FROM10/01 KIT	1
4.1	2037740	> PCV-HOSE DN16X4 VP.	
4.2	2037741	> VESSEL HOSE CONNECTION 1/2 90° VP.	1
4.3	2027563	> FLAT GASKET 30,7x20x2,5 RUBBER VP.	1
4.4	2027902	> HOSE CLAMP DIN3017-A-16-27X9-C7-W4 VP	1
5		VESSEL DRAINLIFT S KIT	1
2.12	2027539	> GASKET D.10MM NR GREY	
2.4	2027543	> HEXAGONAL SCREW DIN7976 6,3X32 A2 VP.	1
2.5	2027545	> DISC DIN9021 6,4 A2 STAINLESS STEEL VP.	1
3.2	2027548	> O-RING ID.89X7 NBR50SH A BLACK VP.	1
3.3	2027549	> HEXAGONAL-SHEET SCREWDIN7976 8,0x38 VZ	1
3.4	2027550	> DISC DIN9021 8,4 A2A	1
4.3	2027563	> FLAT GASKET 30,7x20x2,5 RUBBER VP.	1
	2067856	> COVER TR165X13 DRAINLIFT M/S VP.	1
5.1		> VESSEL PE WALL THICKNESS 7MM BLACK	1
	2027551	CAPASITOR PLUG 230V 30MF HAND FUNCTION	1
	2027552	MANSCHETTE DN70 KONFIX	1
	2027553	DAMMING PROTECTIVE STRIP DRAINLIFT	1
	2027910	GASKET DN100 F.ROTOR 110MM	1
F2	6025460	medical white oil 1L KIT	1
L11	2132529	WEICON LOCK AN306-30 20ML VP.	1

WILO-DRAINLIFT S1/7 (3~) (2512740)

Description	Quantity
WILO-DRAINLIFT S1/7 3~400 TO 09/01	1
WILO-DRAINLIFT S1/7 3~400 FROM 10/01	1

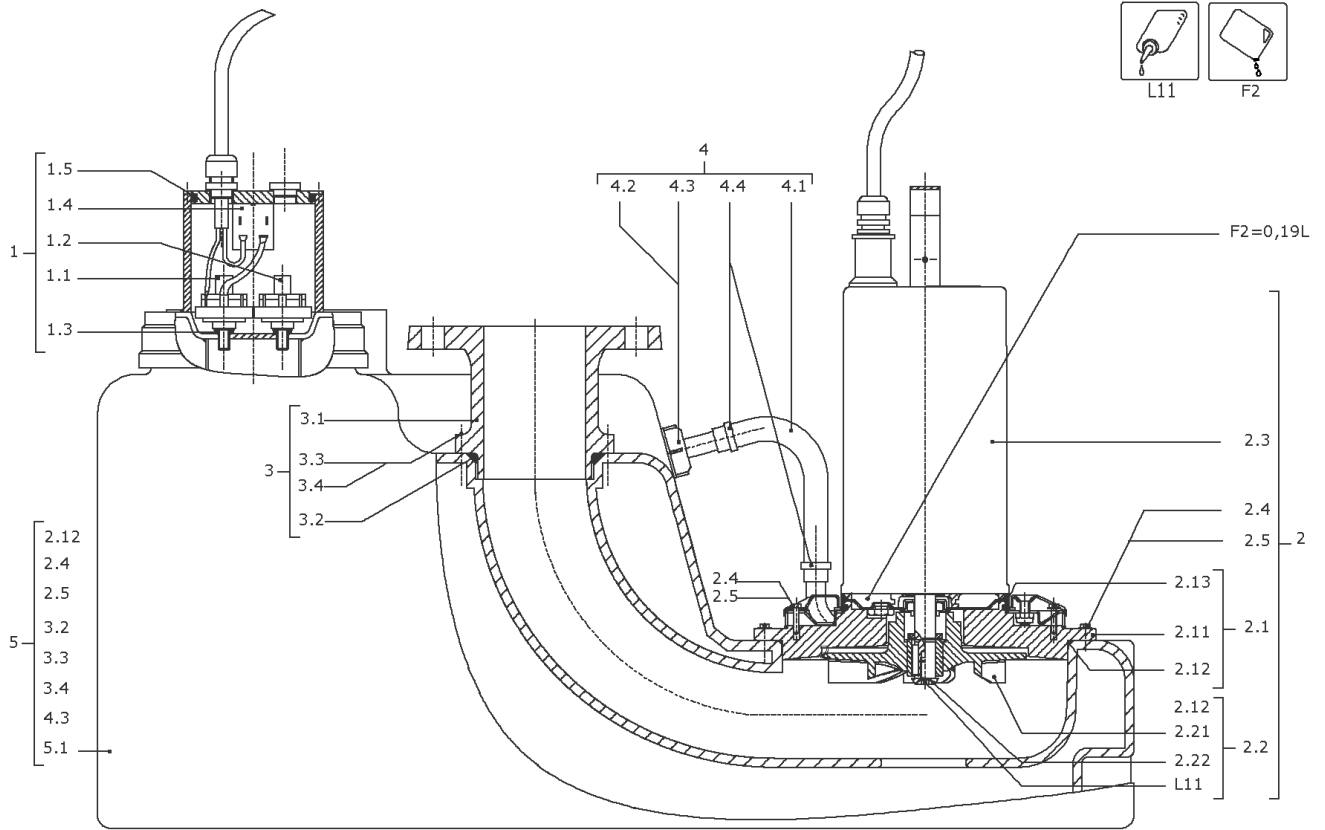


WILO-DRAINLIFT S1/7 3~400 TO 09/01

Item	Article no.	Description	Quantity
1	2027532	LEVEL REGULATION DRAINLIFT S 400V	1
1.1	2027533	> PRESSURE SWITCH 180/100 YELLOW MARK VP.	1
1.2	2027534	> PRESSURE SWITCH 325/275 BLACK MARK VP.	1
1.3	4006400	> O-RING ID.9,19x2,62 EP1/1/5	1
1.5	2119963	> O-RING ID.88,27X5,33 NBR70 SHORE A VP.	1
2		EXCHANGE SET PUMP UNIT 3~400 CPL.DLS	1
Note: nicht mehr Lieferbar / no longer available / ne plus disponible			
2.1		> ADAPTER RING DRAINLIFT S TO 09/01 KIT	1
Note: no longer available / nicht mehr lieferbar / ne plus disponible			
2.11		>> ADAPTERRING DRAINLIFT S	1
2.12	2027539	>> GASKET D.10MM NR GREY	
2.13	2028703	>> O-RING ID.122X4 DIN3771 NBR70	1
2.2	2027540	> IMPELLER DRAINLIFT D.170 KIT	1
2.12	2027539	>> GASKET D.10MM NR GREY	
2.21		>> IMPELLER DRAINLIFT S CPL.	1
2.22	2037743	>> IMPELLER FIXATION DLS/TP65 KIT	1
		>>> WASHER F.LR.F TP65	1
		>>> SCREW M8X20 F.LR.TP65	1
		>>> KEY B5X5X25 DIN6885 INOX 316TI	1
L11	2132529	>>> WEICON LOCK AN306-30 20ML VP.	1
2.3	2027542	> MOTOR CPL. DRAINLIFT S/M 3~400	1
2.4	2027543	> HEXAGONAL SCREW DIN7976 6,3X32 A2 VP.	1
2.5	2027545	> DISC DIN9021 6,4 A2 STAINLESS STEEL VP.	1
	4015653	> MS. MG1/17-G60-Q1Q1PGG-KIT	1
1.11	2048934	>> O-RING-ID.32X2,5 NBR70SR	1
1.31		>> ROTAT.SEALRING MG1/17-G60Q1Q1PGG.BURGMAN	1
1.32		>> CIRCLIP 17X1 DIN471 1.4122	1
1.34		>> RADIAL LIP SEAL-WDR-A-20X32X7-DIN376-NB	1
1.35	2048935	>> O-RING ID.123,42X3,53 NBR 70SR	1
1.35	4006725	>> O-RING ID.132,94x3,53 NBR70SR	1
1.36	4017965	>> O-RING D9,9X2,62 NITRILE 70SH	1
1.37		>> ROND.APPUI-GM-D17/30-EP.4-PP	1
1.38		>> MECHANICAL-SEAL-GUARD-NITRILE	1
		>> medical white oil 1L KIT	1

WILO-DRAINLIFT S1/7 3~400 TO 09/01

Item	Article no.	Description	Quantity
3	2027546	FLANGE TRANSFORMATION PIECE DN80 CPL.	1
3.1	2027547	> FLANGE TRANSFORMATION PIECE DN80	1
3.2	2027548	> O-RING ID.89X7 NBR50SH A BLACK VP.	1
3.3	2027549	> HEXAGONAL-SHEET SCREWDIN7976 8,0x38 VZ	1
3.4	2027550	> DISC DIN9021 8,4 A2A	1
5		VESSEL DRAINLIFT S KIT	1
Note: nicht mehr Lieferbar / no longer available / ne plus disponible			
2.12	2027539	> GASKET D.10MM NR GREY	
2.4	2027543	> HEXAGONAL SCREW DIN7976 6,3X32 A2 VP.	1
2.5	2027545	> DISC DIN9021 6,4 A2 STAINLESS STEEL VP.	1
3.2	2027548	> O-RING ID.89X7 NBR50SH A BLACK VP.	1
3.3	2027549	> HEXAGONAL-SHEET SCREWDIN7976 8,0x38 VZ	1
3.4	2027550	> DISC DIN9021 8,4 A2A	1
4.3	2027563	> FLAT GASKET 30,7x20x2,5 RUBBER VP.	1
	2067856	> COVER TR165X13 DRAINLIFT M/S VP.	1
5.1		> VESSEL PE WALL THICKNESS 7MM BLACK	1
	2028602	SAFETY CONTROL KIT 1.1KW-PW	1
	2027552	MANSCHETTE DN70 KONFIX	1
	2027553	DAMMING PROTECTIVE STRIP DRAINLIFT	1
	2027910	GASKET DN100 F.ROTOR 110MM	1
F2	6025460	medical white oil 1L KIT	1
L11	2132529	WEICON LOCK AN306-30 20ML VP.	1



WILO-DRAINLIFT S1/7 3~400 FROM 10/01

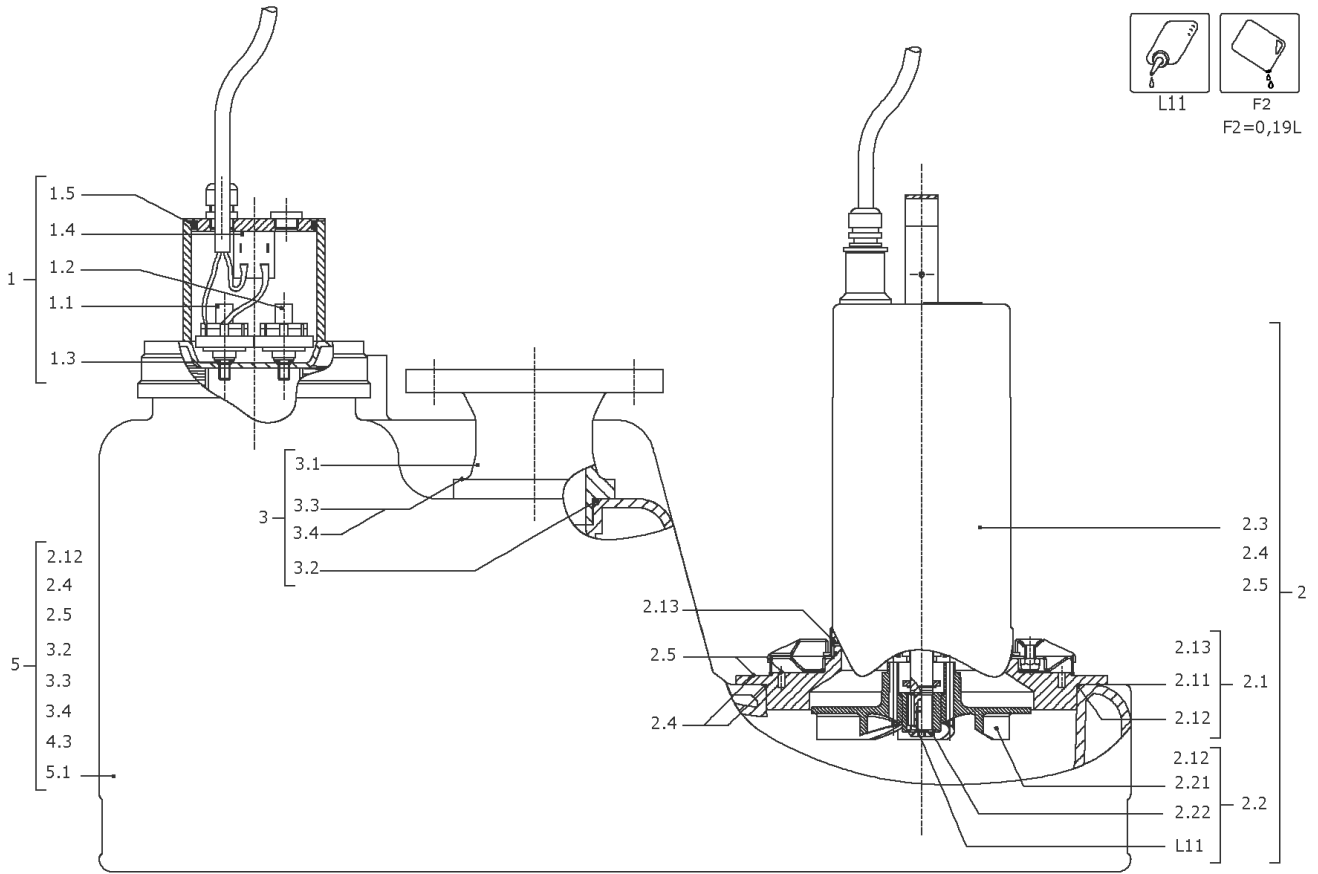
Item	Article no.	Description	Quantity
1	2027532	LEVEL REGULATION DRAINLIFT S 400V	1
1.1	2027533	> PRESSURE SWITCH 180/100 YELLOW MARK VP.	1
1.2	2027534	> PRESSURE SWITCH 325/275 BLACK MARK VP.	1
1.3	4006400	> O-RING ID.9,19x2,62 EP1/1/5	1
1.5	2119963	> O-RING ID.88,27X5,33 NBR70 SHORE A VP.	1
2	2037737	PUMP UNIT DLS 3~400+HOSE VENT.FROM 10/01	1
2.1	2037738	> ADAPTER RING DLS+VENTILAT.FROM 10/01 KIT	1
2.11		>> ADAPTERRING DRAINL.S;WITH HOSE CONNECT.	1
2.12	2027539	>> GASKET D.10MM NR GREY	
2.13	2028703	>> O-RING ID.122X4 DIN3771 NBR70	1
2.2	2027540	> IMPELLER DRAINLIFT D.170 KIT	1
2.12	2027539	>> GASKET D.10MM NR GREY	
2.21		>> IMPELLER DRAINLIFT S CPL.	1
2.22	2037743	>> IMPELLER FIXATION DLS/TP65 KIT	1
		>>> WASHER F.LR.F TP65	1
		>>> SCREW M8X20 F.LR.TP65	1
		>>> KEY B5X5X25 DIN6885 INOX 316TI	1
L11	2132529	>>> WEICON LOCK AN306-30 20ML VP.	1
2.3	2027542	> MOTOR CPL. DRAINLIFT S/M 3~400	1
2.4	2027543	> HEXAGONAL SCREW DIN7976 6,3X32 A2 VP.	1
2.5	2027545	> DISC DIN9021 6,4 A2 STAINLESS STEEL VP.	1
	4015653	> MS. MG1/17-G60-Q1Q1PGG-KIT	1
1.11	2048934	>> O-RING-ID.32X2,5 NBR70SR	1
1.31		>> ROTAT.SEALRING MG1/17-G60Q1Q1PGG.BURGMAN	1
1.32		>> CIRCLIP 17X1 DIN471 1.4122	1
1.34		>> RADIAL LIP SEAL-WDR-A-20X32X7-DIN376-NB	1
1.35	2048935	>> O-RING ID.123,42X3,53 NBR 70SR	1
1.35	4006725	>> O-RING ID.132,94x3,53 NBR70SR	1
1.36	4017965	>> O-RING D9,9X2,62 NITRILE 70SH	1
1.37		>> ROND.APPUI-GM-D17/30-EP.4-PP	1
1.38		>> MECHANICAL-SEAL-GUARD-NITRILE	1
		>> medical white oil 1L KIT	1
3	2027546	FLANGE TRANSFORMATION PIECE DN80 CPL.	1
3.1	2027547	> FLANGE TRANSFORMATION PIECE DN80	1

WILO-DRAINLIFT S1/7 3~400 FROM 10/01

Item	Article no.	Description	Quantity
3.2	2027548	> O-RING ID.89X7 NBR50SH A BLACK VP.	1
3.3	2027549	> HEXAGONAL-SHEET SCREWDIN7976 8,0x38 VZ	1
3.4	2027550	> DISC DIN9021 8,4 A2A	1
4	2037739	AIR EVACUATION PIPE DL FROM10/01 KIT	1
4.1	2037740	> PCV-HOSE DN16X4 VP.	
4.2	2037741	> VESSEL HOSE CONNECTION 1/2 90° VP.	1
4.3	2027563	> FLAT GASKET 30,7x20x2,5 RUBBER VP.	1
4.4	2027902	> HOSE CLAMP DIN3017-A-16-27X9-C7-W4 VP	1
5		VESSEL DRAINLIFT S KIT	1
2.12	2027539	> GASKET D.10MM NR GREY	
2.4	2027543	> HEXAGONAL SCREW DIN7976 6,3X32 A2 VP.	1
2.5	2027545	> DISC DIN9021 6,4 A2 STAINLESS STEEL VP.	1
3.2	2027548	> O-RING ID.89X7 NBR50SH A BLACK VP.	1
3.3	2027549	> HEXAGONAL-SHEET SCREWDIN7976 8,0x38 VZ	1
3.4	2027550	> DISC DIN9021 8,4 A2A	1
4.3	2027563	> FLAT GASKET 30,7x20x2,5 RUBBER VP.	1
	2067856	> COVER TR165X13 DRAINLIFT M/S VP.	1
5.1		> VESSEL PE WALL THICKNESS 7MM BLACK	1
	2028602	SAFETY CONTROL KIT 1.1KW-PW	1
	2027552	MANSCHETTE DN70 KONFIX	1
	2027553	DAMMING PROTECTIVE STRIP DRAINLIFT	1
	2027910	GASKET DN100 F.ROTOR 110MM	1
F2	6025460	medical white oil 1L KIT	1
L11	2132529	WEICON LOCK AN306-30 20ML VP.	1

WILO-DRAINLIFT S1/7 DM VORWAND (2512745)

Description	Quantity
WILO-DRAINLIFT S1/7 3~400 TO 09/01	1
WILO-DRAINLIFT S1/7 3~400 FROM 10/01	1

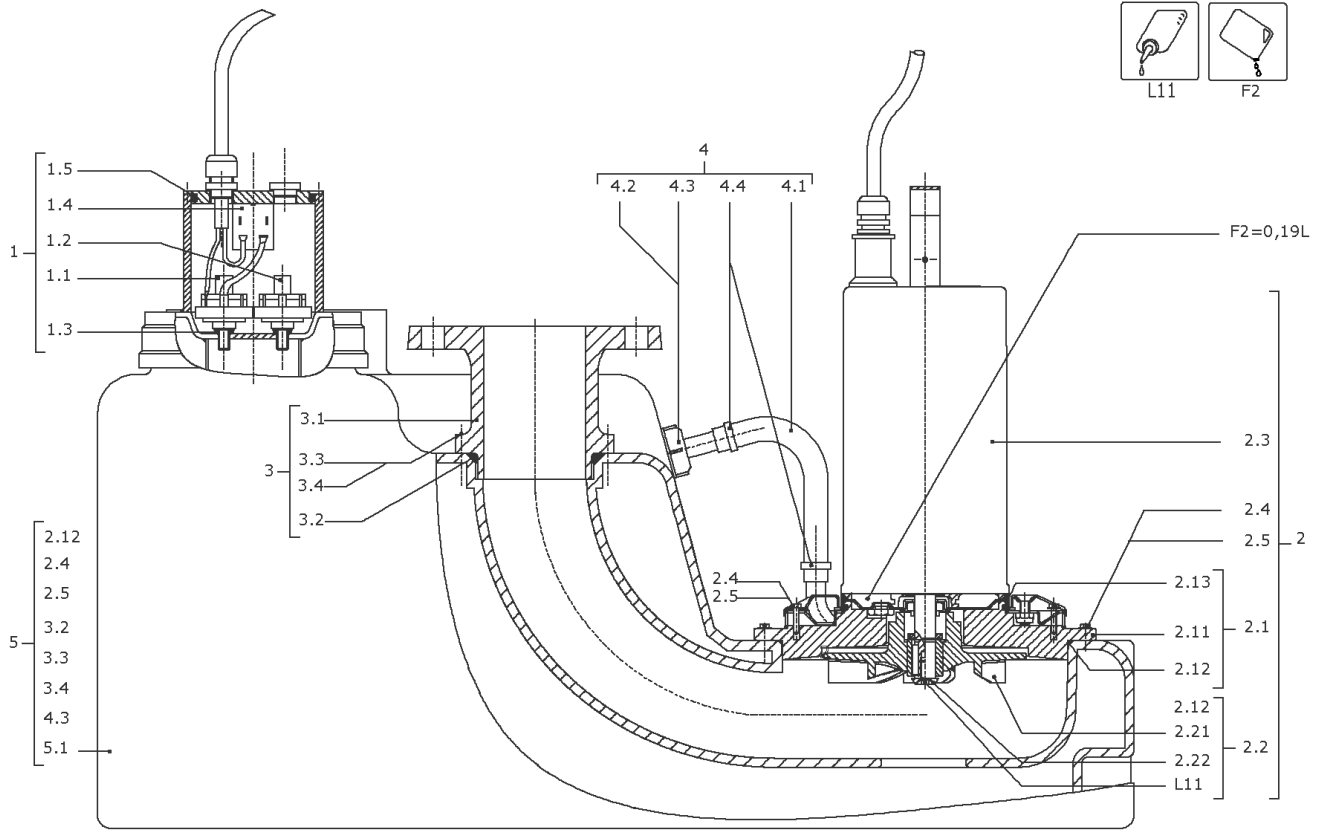


WILO-DRAINLIFT S1/7 3~400 TO 09/01

Item	Article no.	Description	Quantity
1	2027532	LEVEL REGULATION DRAINLIFT S 400V	1
1.1	2027533	> PRESSURE SWITCH 180/100 YELLOW MARK VP.	1
1.2	2027534	> PRESSURE SWITCH 325/275 BLACK MARK VP.	1
1.3	4006400	> O-RING ID.9,19x2,62 EP1/1/5	1
1.5	2119963	> O-RING ID.88,27X5,33 NBR70 SHORE A VP.	1
2		EXCHANGE SET PUMP UNIT 3~400 CPL.DLS	1
Note: nicht mehr Lieferbar / no longer available / ne plus disponible			
2.1		> ADAPTER RING DRAINLIFT S TO 09/01 KIT	1
Note: no longer available / nicht mehr lieferbar / ne plus disponible			
2.11		>> ADAPTERRING DRAINLIFT S	1
2.12	2027539	>> GASKET D.10MM NR GREY	
2.13	2028703	>> O-RING ID.122X4 DIN3771 NBR70	1
2.2	2027540	> IMPELLER DRAINLIFT D.170 KIT	1
2.12	2027539	>> GASKET D.10MM NR GREY	
2.21		>> IMPELLER DRAINLIFT S CPL.	1
2.22	2037743	>> IMPELLER FIXATION DLS/TP65 KIT	1
		>>> WASHER F.LR.F TP65	1
		>>> SCREW M8X20 F.LR.TP65	1
		>>> KEY B5X5X25 DIN6885 INOX 316TI	1
L11	2132529	>>> WEICON LOCK AN306-30 20ML VP.	1
2.3	2027542	> MOTOR CPL. DRAINLIFT S/M 3~400	1
2.4	2027543	> HEXAGONAL SCREW DIN7976 6,3X32 A2 VP.	1
2.5	2027545	> DISC DIN9021 6,4 A2 STAINLESS STEEL VP.	1
	4015653	> MS. MG1/17-G60-Q1Q1PGG-KIT	1
1.11	2048934	>> O-RING-ID.32X2,5 NBR70SR	1
1.31		>> ROTAT.SEALRING MG1/17-G60Q1Q1PGG.BURGMAN	1
1.32		>> CIRCLIP 17X1 DIN471 1.4122	1
1.34		>> RADIAL LIP SEAL-WDR-A-20X32X7-DIN376-NB	1
1.35	2048935	>> O-RING ID.123,42X3,53 NBR 70SR	1
1.35	4006725	>> O-RING ID.132,94x3,53 NBR70SR	1
1.36	4017965	>> O-RING D9,9X2,62 NITRILE 70SH	1
1.37		>> ROND.APPUI-GM-D17/30-EP.4-PP	1
1.38		>> MECHANICAL-SEAL-GUARD-NITRILE	1
		>> medical white oil 1L KIT	1

WILO-DRAINLIFT S1/7 3~400 TO 09/01

Item	Article no.	Description	Quantity
3	2027546	FLANGE TRANSFORMATION PIECE DN80 CPL.	1
3.1	2027547	> FLANGE TRANSFORMATION PIECE DN80	1
3.2	2027548	> O-RING ID.89X7 NBR50SH A BLACK VP.	1
3.3	2027549	> HEXAGONAL-SHEET SCREWDIN7976 8,0x38 VZ	1
3.4	2027550	> DISC DIN9021 8,4 A2A	1
5		VESSEL DRAINLIFT S KIT	1
Note: nicht mehr Lieferbar / no longer available / ne plus disponible			
2.12	2027539	> GASKET D.10MM NR GREY	
2.4	2027543	> HEXAGONAL SCREW DIN7976 6,3X32 A2 VP.	1
2.5	2027545	> DISC DIN9021 6,4 A2 STAINLESS STEEL VP.	1
3.2	2027548	> O-RING ID.89X7 NBR50SH A BLACK VP.	1
3.3	2027549	> HEXAGONAL-SHEET SCREWDIN7976 8,0x38 VZ	1
3.4	2027550	> DISC DIN9021 8,4 A2A	1
4.3	2027563	> FLAT GASKET 30,7x20x2,5 RUBBER VP.	1
	2067856	> COVER TR165X13 DRAINLIFT M/S VP.	1
5.1		> VESSEL PE WALL THICKNESS 7MM BLACK	1
	2028602	SAFETY CONTROL KIT 1.1KW-PW	1
	2027552	MANSCHETTE DN70 KONFIX	1
	2027553	DAMMING PROTECTIVE STRIP DRAINLIFT	1
	2027910	GASKET DN100 F.ROTOR 110MM	1
F2	6025460	medical white oil 1L KIT	1
L11	2132529	WEICON LOCK AN306-30 20ML VP.	1



WILO-DRAINLIFT S1/7 3~400 FROM 10/01

Item	Article no.	Description	Quantity
1	2027532	LEVEL REGULATION DRAINLIFT S 400V	1
1.1	2027533	> PRESSURE SWITCH 180/100 YELLOW MARK VP.	1
1.2	2027534	> PRESSURE SWITCH 325/275 BLACK MARK VP.	1
1.3	4006400	> O-RING ID.9,19x2,62 EP1/1/5	1
1.5	2119963	> O-RING ID.88,27X5,33 NBR70 SHORE A VP.	1
2	2037737	PUMP UNIT DLS 3~400+HOSE VENT.FROM 10/01	1
2.1	2037738	> ADAPTER RING DLS+VENTILAT.FROM 10/01 KIT	1
2.11		>> ADAPTERRING DRAINL.S;WITH HOSE CONNECT.	1
2.12	2027539	>> GASKET D.10MM NR GREY	
2.13	2028703	>> O-RING ID.122X4 DIN3771 NBR70	1
2.2	2027540	> IMPELLER DRAINLIFT D.170 KIT	1
2.12	2027539	>> GASKET D.10MM NR GREY	
2.21		>> IMPELLER DRAINLIFT S CPL.	1
2.22	2037743	>> IMPELLER FIXATION DLS/TP65 KIT	1
		>>> WASHER F.LR.F TP65	1
		>>> SCREW M8X20 F.LR.TP65	1
		>>> KEY B5X5X25 DIN6885 INOX 316TI	1
L11	2132529	>>> WEICON LOCK AN306-30 20ML VP.	1
2.3	2027542	> MOTOR CPL. DRAINLIFT S/M 3~400	1
2.4	2027543	> HEXAGONAL SCREW DIN7976 6,3X32 A2 VP.	1
2.5	2027545	> DISC DIN9021 6,4 A2 STAINLESS STEEL VP.	1
	4015653	> MS. MG1/17-G60-Q1Q1PGG-KIT	1
1.11	2048934	>> O-RING-ID.32X2,5 NBR70SR	1
1.31		>> ROTAT.SEALRING MG1/17-G60Q1Q1PGG.BURGMAN	1
1.32		>> CIRCLIP 17X1 DIN471 1.4122	1
1.34		>> RADIAL LIP SEAL-WDR-A-20X32X7-DIN376-NB	1
1.35	2048935	>> O-RING ID.123,42X3,53 NBR 70SR	1
1.35	4006725	>> O-RING ID.132,94x3,53 NBR70SR	1
1.36	4017965	>> O-RING D9,9X2,62 NITRILE 70SH	1
1.37		>> ROND.APPUI-GM-D17/30-EP.4-PP	1
1.38		>> MECHANICAL-SEAL-GUARD-NITRILE	1
		>> medical white oil 1L KIT	1
3	2027546	FLANGE TRANSFORMATION PIECE DN80 CPL.	1
3.1	2027547	> FLANGE TRANSFORMATION PIECE DN80	1

WILO-DRAINLIFT S1/7 3~400 FROM 10/01

Item	Article no.	Description	Quantity
3.2	2027548	> O-RING ID.89X7 NBR50SH A BLACK VP.	1
3.3	2027549	> HEXAGONAL-SHEET SCREWDIN7976 8,0x38 VZ	1
3.4	2027550	> DISC DIN9021 8,4 A2A	1
4	2037739	AIR EVACUATION PIPE DL FROM10/01 KIT	1
4.1	2037740	> PCV-HOSE DN16X4 VP.	
4.2	2037741	> VESSEL HOSE CONNECTION 1/2 90° VP.	1
4.3	2027563	> FLAT GASKET 30,7x20x2,5 RUBBER VP.	1
4.4	2027902	> HOSE CLAMP DIN3017-A-16-27X9-C7-W4 VP	1
5		VESSEL DRAINLIFT S KIT	1
2.12	2027539	> GASKET D.10MM NR GREY	
2.4	2027543	> HEXAGONAL SCREW DIN7976 6,3X32 A2 VP.	1
2.5	2027545	> DISC DIN9021 6,4 A2 STAINLESS STEEL VP.	1
3.2	2027548	> O-RING ID.89X7 NBR50SH A BLACK VP.	1
3.3	2027549	> HEXAGONAL-SHEET SCREWDIN7976 8,0x38 VZ	1
3.4	2027550	> DISC DIN9021 8,4 A2A	1
4.3	2027563	> FLAT GASKET 30,7x20x2,5 RUBBER VP.	1
	2067856	> COVER TR165X13 DRAINLIFT M/S VP.	1
5.1		> VESSEL PE WALL THICKNESS 7MM BLACK	1
	2028602	SAFETY CONTROL KIT 1.1KW-PW	1
	2027552	MANSCHETTE DN70 KONFIX	1
	2027553	DAMMING PROTECTIVE STRIP DRAINLIFT	1
	2027910	GASKET DN100 F.ROTOR 110MM	1
F2	6025460	medical white oil 1L KIT	1
L11	2132529	WEICON LOCK AN306-30 20ML VP.	1