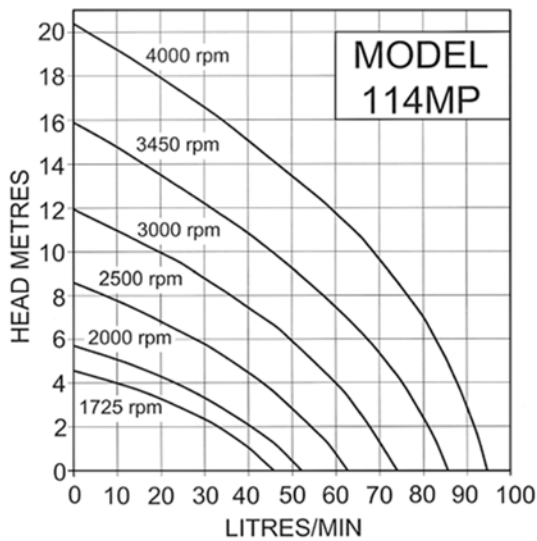
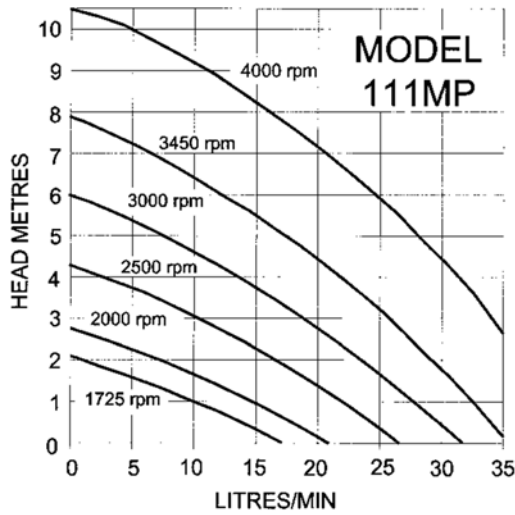
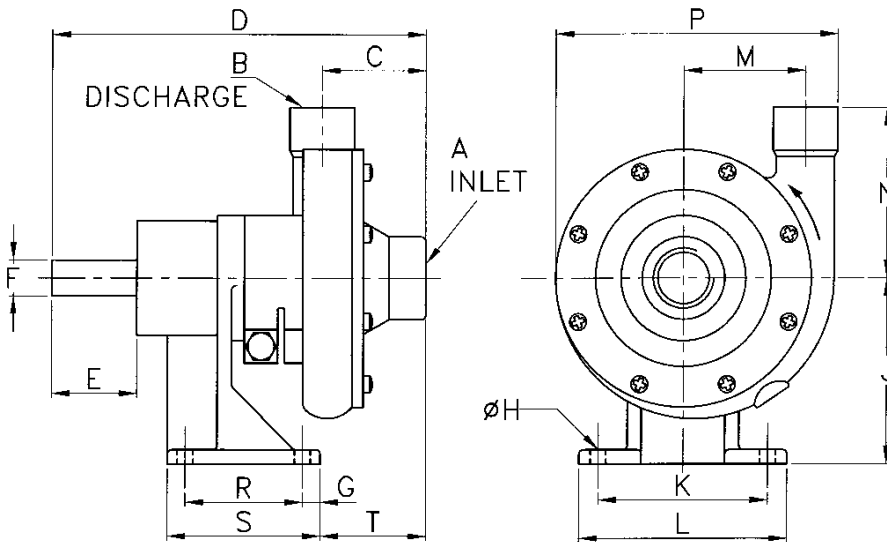


PERFORMANCE



DIMENSIONS

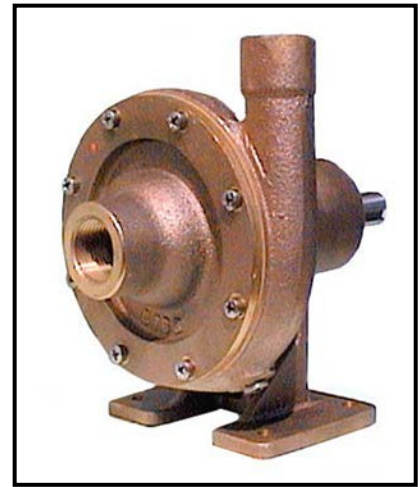


Dimensions in mm

MODEL	A	B	C	D	E	F	G	H	J	K	L	M	N	P	R	S	T
111MP	3/8"	3/8"	44.5	162	38	15.8	9.5	7.1	47.6	63	82.5	33	44	95	-	47.6	70
114MP	3/4"	1/2"	46	167	38	15.8	7.9	7.1	82.5	76	93.6	54.7	76	127	50.8	68.2	47

OBERDORFER

BRONZE CENTRIFUGAL
PUMPS FOR
SEAWATER



- ◆ Corrosion-resistant bronze body and impeller, stainless steel shaft
- ◆ NPT internal threaded ports
- ◆ Carbon-ceramic mechanical shaft seal
- ◆ Clockwise rotation (viewed from drive end)
- ◆ Can handle fresh and salt water
- ◆ Non-self-priming